



US00D979877S

(12) **United States Design Patent**  
**Theißen**

(10) **Patent No.:** **US D979,877 S**

(45) **Date of Patent:** **\*\* Feb. 28, 2023**

(54) **TWO CUP HOIST FOR GLASS PLATES**

7,887,109 B2 \* 2/2011 Liao ..... B66C 1/0225  
294/187

(71) Applicant: **Bohle AG**, Haan (DE)

D651,505 S \* 1/2012 Roth ..... D8/373

(72) Inventor: **Marco Theißen**, Wermelskirchen (DE)

10,190,345 B2 \* 1/2019 McCullough ..... E05C 19/188

D843,809 S \* 3/2019 Gibbs ..... D8/315

(73) Assignee: **Bohle AG**, Wermelskirchen (DE)

2010/0038503 A1 \* 2/2010 Chien ..... F16B 1/0071

248/205.8

(\*\*) Term: **15 Years**

(Continued)

(21) Appl. No.: **29/754,194**

**OTHER PUBLICATIONS**

(22) Filed: **Oct. 7, 2020**

DK Hardware, announced 2022 [online], [site visited Jun. 7, 2022].  
Avail from int, URL: <https://www.dkhardware.com/plastic-double-pad-vacuum-lifter-set-vls62p-product-43029.html> (Year: 2022).\*

(30) **Foreign Application Priority Data**

(Continued)

Apr. 8, 2020 (EM) ..... 007795356

(51) **LOC (14) Cl.** ..... **12-05**

(52) **U.S. Cl.**

USPC ..... **D34/28**

(58) **Field of Classification Search**

USPC ..... D34/28, 33; D14/452; D8/373

CPC ..... E05C 19/188; E05C 19/00; F16B 47/006;

B66C 1/0225; B66C 1/0237; B66C

1/0212; B66C 1/0243; B25J 15/00; B25J

15/06; B25J 15/065

See application file for complete search history.

*Primary Examiner* — Cynthia Ramirez

*Assistant Examiner* — Tamara L Hahn

(74) *Attorney, Agent, or Firm* — Patent Technologies,  
LLC; Robert D. Gunderman, Jr.

(57) **CLAIM**

The ornamental design for a two cup hoist for glass plates,  
as shown and described.

**DESCRIPTION**

FIG. 1 is an enlarged first side plan view of the two cup hoist  
for glass plates showing my new design;

FIG. 2 is a second side plan view of the two cup hoist for  
glass plates of FIG. 1;

FIG. 3 is a third side plan view of the two cup hoist for glass  
plates of FIG. 1;

FIG. 4 is an enlarged rear plan view of the two cup hoist for  
glass plates of FIG. 1;

FIG. 5 is an enlarged fourth side plan view of the two cup  
hoist for glass plates of FIG. 1;

FIG. 6 is a top plan view of the two cup hoist for glass plates  
FIG. 1; and,

FIG. 7 is a perspective view of the two cup hoist for glass  
plates of FIG. 1.

(56) **References Cited**

**U.S. PATENT DOCUMENTS**

2,127,154 A \* 8/1938 Burk ..... B66C 1/0275

294/187

2,212,755 A \* 8/1940 Solomon ..... B66C 1/0275

D8/DIG. 1

3,180,604 A \* 4/1965 Hammer ..... G03B 42/025

403/56

D421,556 S \* 3/2000 Smith ..... D8/15

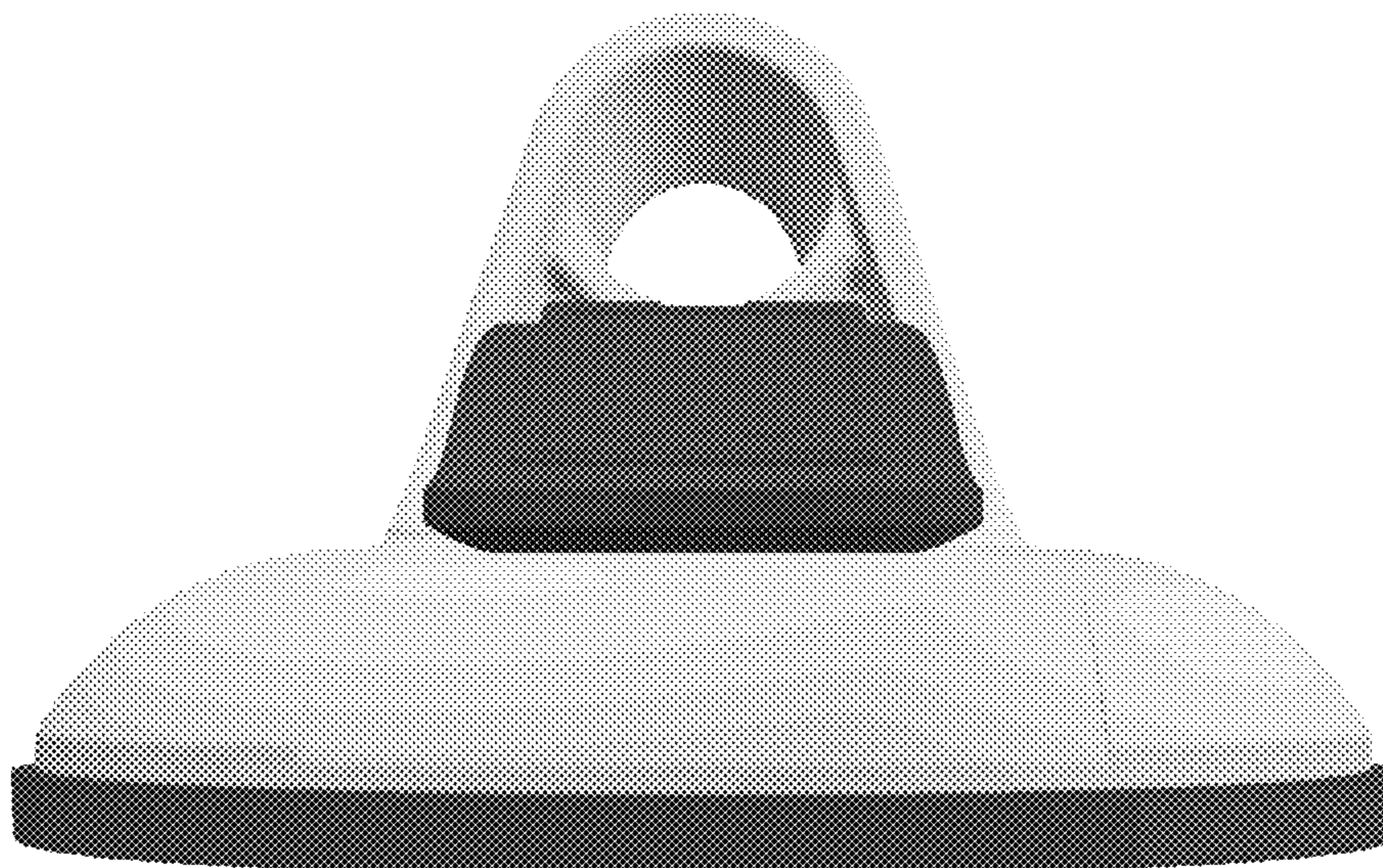
7,270,357 B1 \* 9/2007 Liao ..... B65G 7/12

294/65

7,618,023 B2 \* 11/2009 Ericson ..... B62D 67/00

83/13

**1 Claim, 7 Drawing Sheets**



(56)

**References Cited**

## U.S. PATENT DOCUMENTS

2010/0133863 A1\* 6/2010 Liao ..... B66C 1/0212  
294/65  
2010/0164241 A1\* 7/2010 Finck ..... F16B 47/00  
248/205.9  
2011/0297804 A1\* 12/2011 Fan ..... F16B 47/006  
248/363  
2013/0230612 A1\* 9/2013 Lin ..... B25B 11/007  
425/12  
2014/0197288 A1\* 7/2014 Yang ..... F16B 47/006  
248/205.9  
2016/0097419 A1\* 4/2016 Huang ..... F16M 13/022  
248/205.7  
2019/0019391 A1\* 1/2019 Chang ..... F16B 47/006

## OTHER PUBLICATIONS

Solude, announced Dec. 2018 [online], [site visited Jun. 7, 2022].  
Avail from int, URL: [https://www.amazon.com/dp/B07SX1BYQ9/ref=sspa\\_dk\\_detail\\_6](https://www.amazon.com/dp/B07SX1BYQ9/ref=sspa_dk_detail_6) (Year: 2018).\*

Bohle, announced 2022 [online], [site visited Jun. 7, 2022]. Avail  
from int, URL: <https://www.reflectwindow.com/products/suction-lifter-2-cup-lever-style-yellow-bohle-veribor?variant=29518462845046&currency=USD> (Year: 2022).\*

Harbor Freight, announced Jan. 2021 [online], [site visited Jun. 7,  
2022]. Avail from int, URL: <https://www.harborfreight.com/4-23-in-125-lb-dual-suction-cup-lifter-57501.html2021> (Year: 2021).\*

New Egg, announced Sep. 2020 [online], [site visited Jun. 7, 2022].  
Avail from int, URL: <https://www.newegg.com/p/0NY-04PD-00001> (Year: 2022).\*

\* cited by examiner

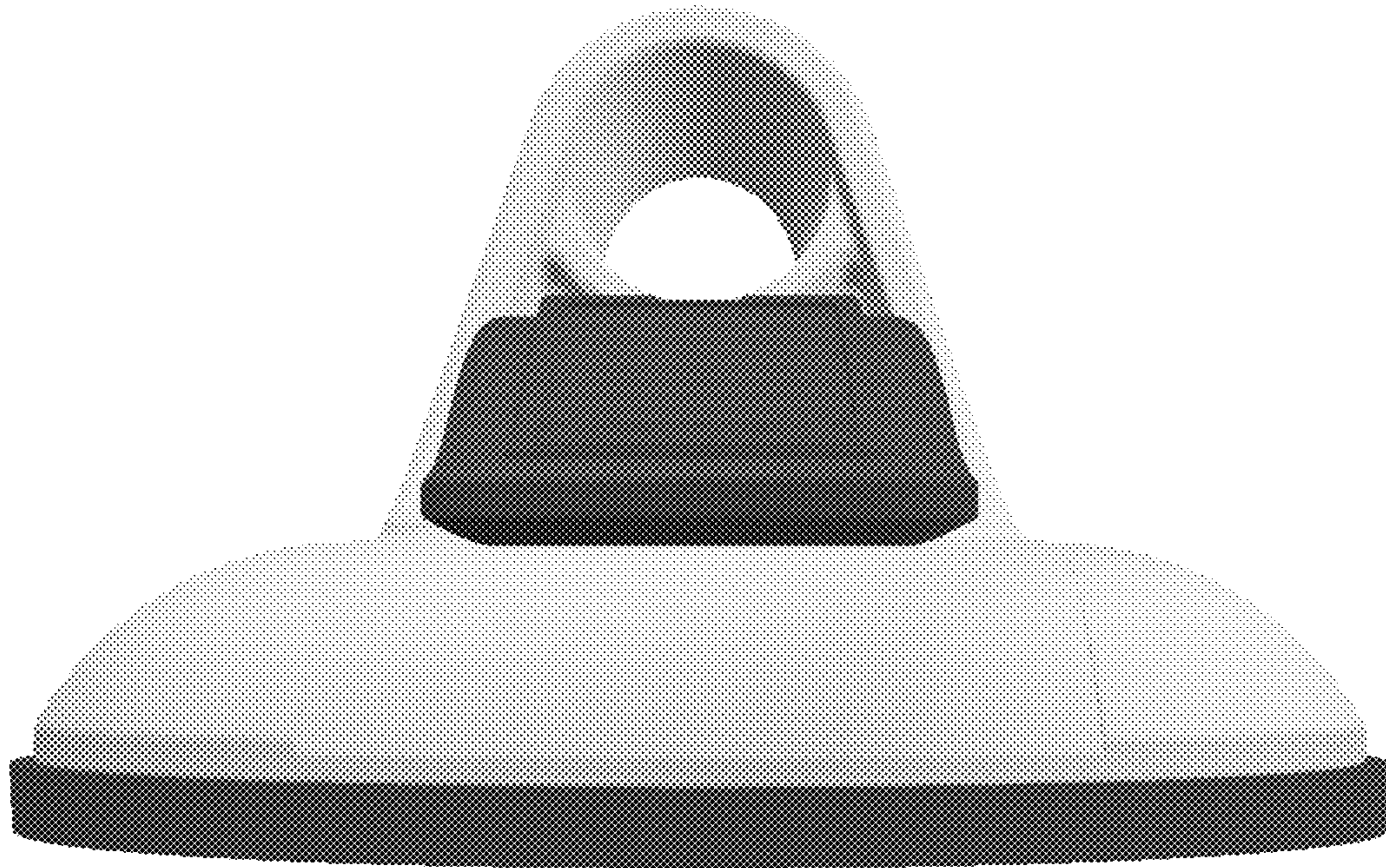


Fig. 1

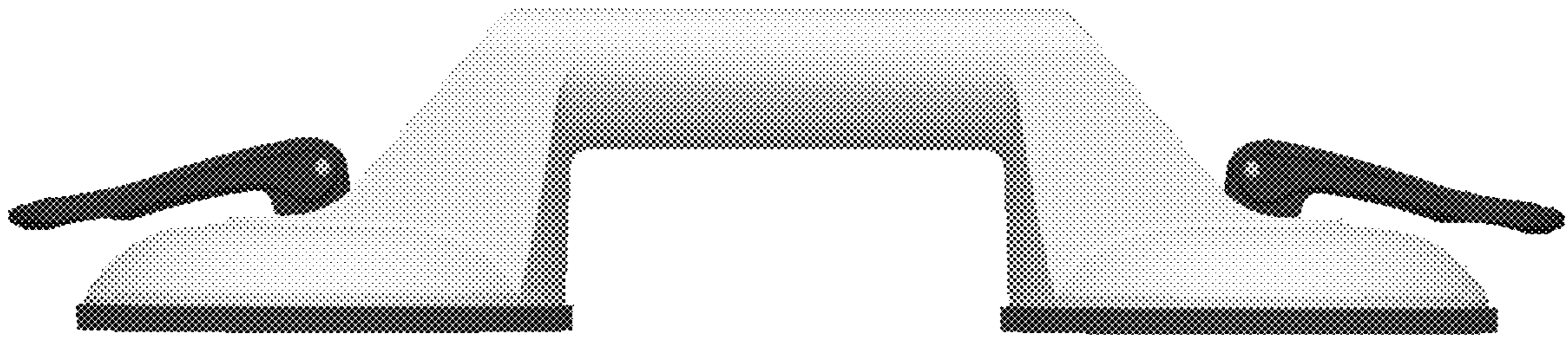


Fig. 2

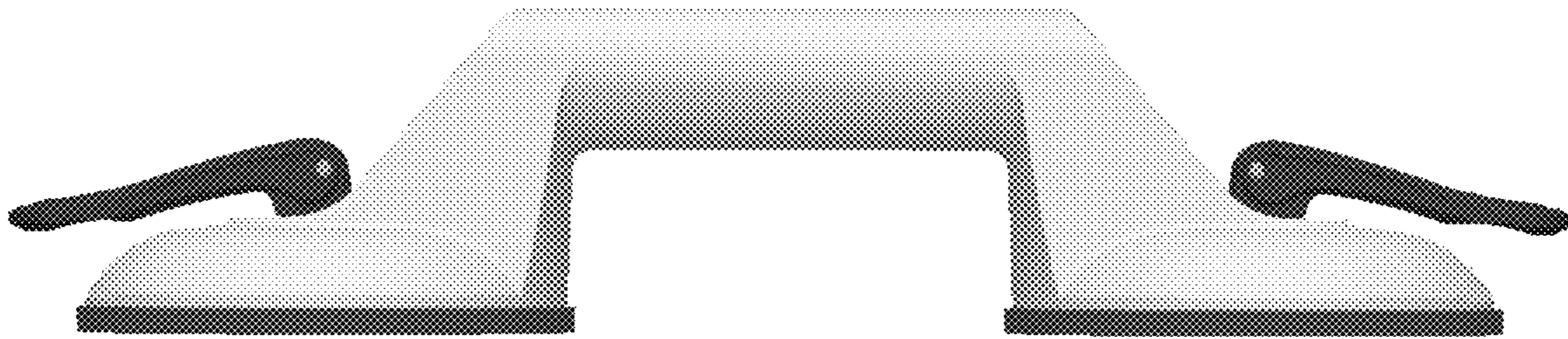


Fig. 3

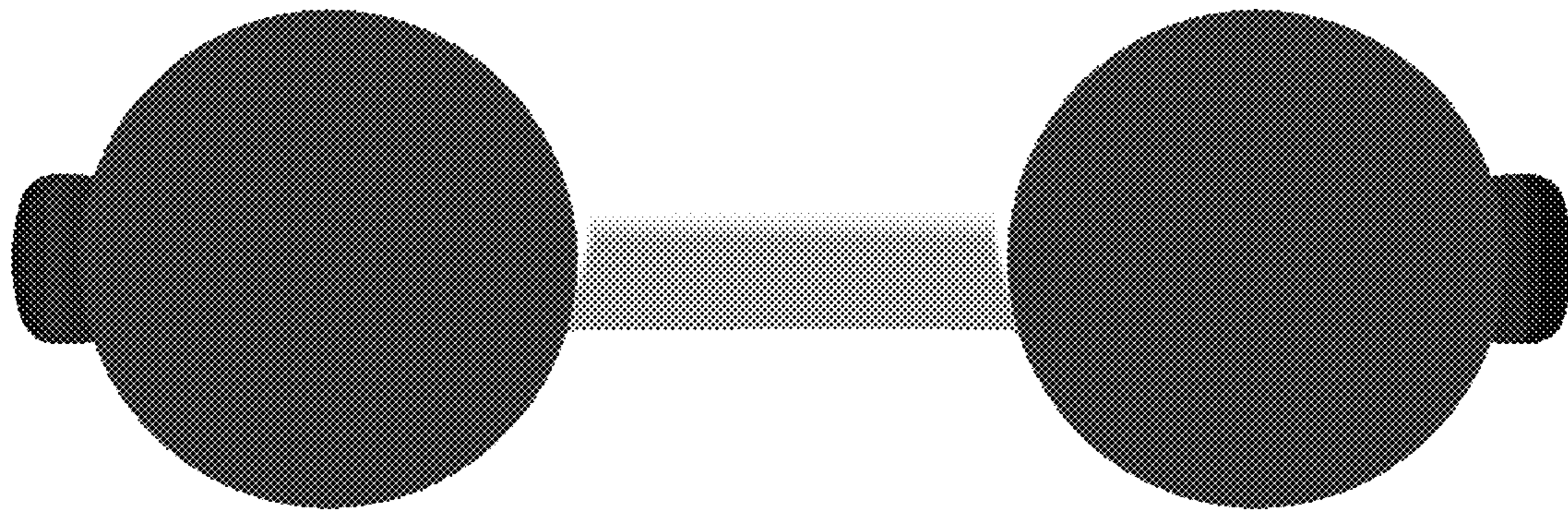


Fig. 4

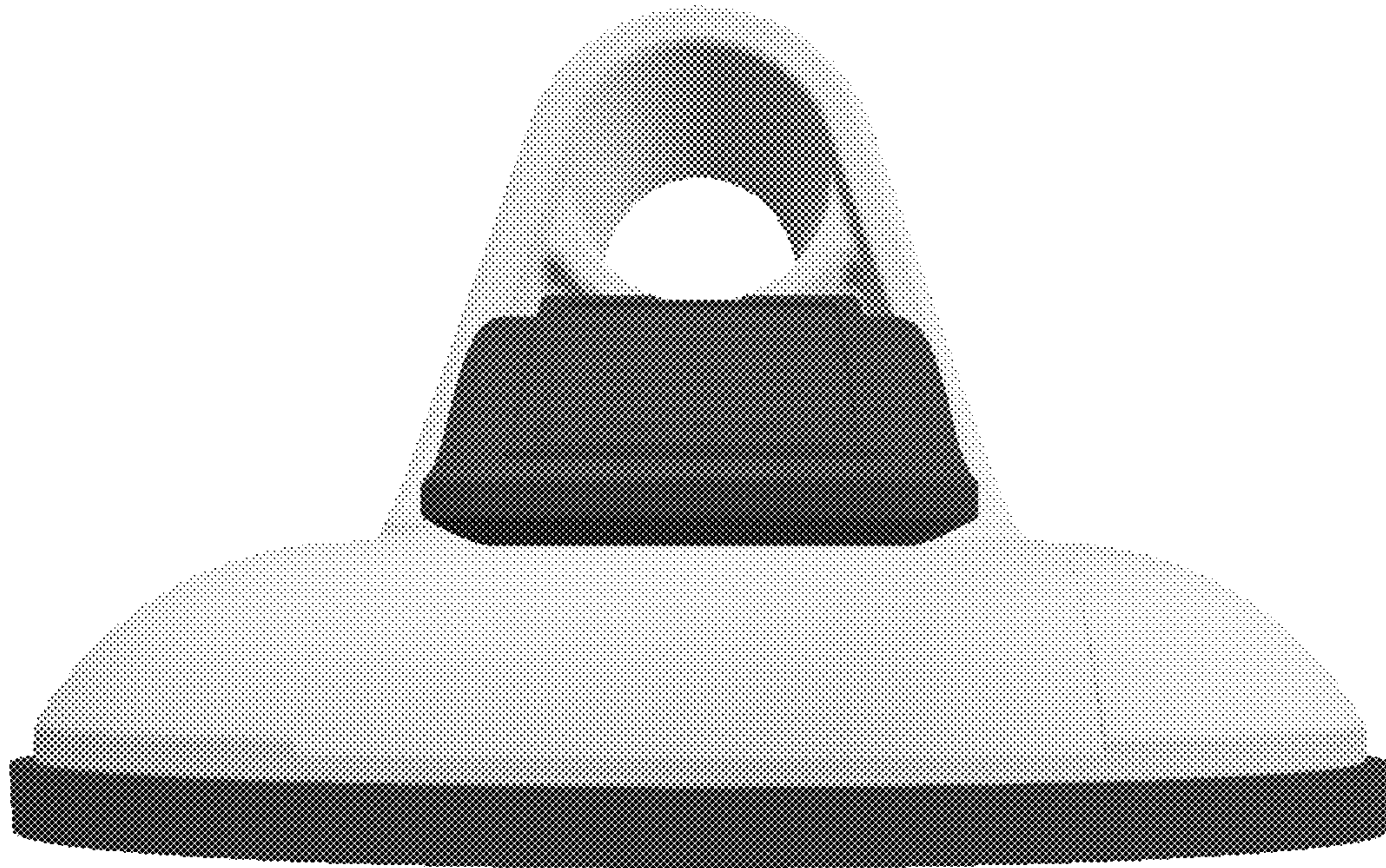


Fig. 5

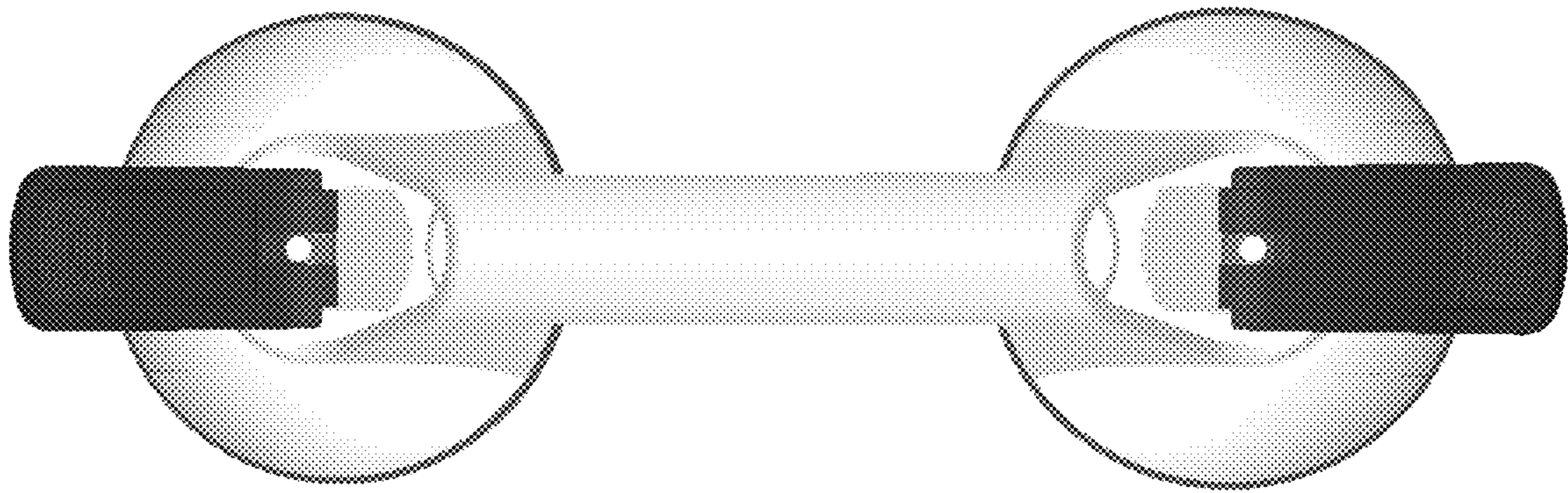


Fig. 6



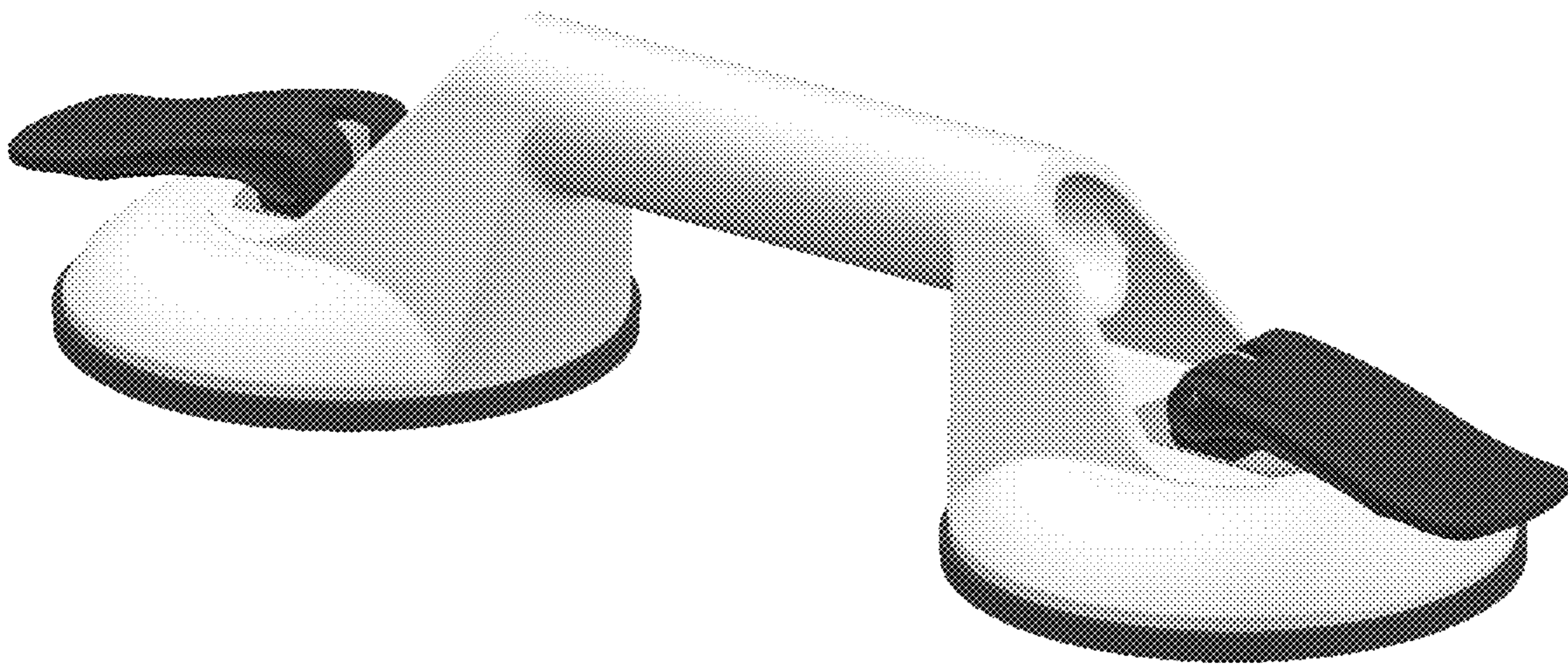


Fig. 7