



US00D979876S

(12) **United States Design Patent**  
**Colin et al.**

(10) **Patent No.:** **US D979,876 S**  
(45) **Date of Patent:** **\*\* Feb. 28, 2023**

(54) **STORAGE UNIT**

- (71) Applicant: **HERMAN MILLER, INC.**, Zeeland, MI (US)
- (72) Inventors: **Kimberlee Colin**, London (GB); **Luca Corvatta**, London (GB); **Samuel Hecht**, London (GB); **Romain Voulet**, London (GB); **Joshua DeWys**, Marne, MI (US)
- (73) Assignee: **MillerKnoll, Inc.**, Zeeland, MI (US)
- (\*\*) Term: **15 Years**
- (21) Appl. No.: **29/754,794**
- (22) Filed: **Oct. 14, 2020**
- (51) **LOC (14) Cl.** ..... **12-02**
- (52) **U.S. Cl.**  
USPC ..... **D34/21**
- (58) **Field of Classification Search**  
USPC ..... D34/12, 13, 14, 17, 19, 20, 21, 23, 26, D34/27

(Continued)

(56) **References Cited**

**U.S. PATENT DOCUMENTS**

- 262,081 A 8/1882 Mets
  - 360,712 A 4/1887 McLain
- (Continued)

**FOREIGN PATENT DOCUMENTS**

- CN 305712266 \* 4/2022
- WO 2015/039207 A1 3/2015
- WO 2016/106219 A1 6/2016

**OTHER PUBLICATIONS**

GI Cart, announced Jun. 2021 [online], [site visited May 1, 2022]. Avail from int, URL: <https://www.globalindustrial.com/p/welded-steel-cart-2-flush-shelves-18-x-30> (Year: 2021).\*

(Continued)

*Primary Examiner* — Cynthia Ramirez  
*Assistant Examiner* — Tamara L Hahn  
(74) *Attorney, Agent, or Firm* — Michael Best & Friedrich LLP

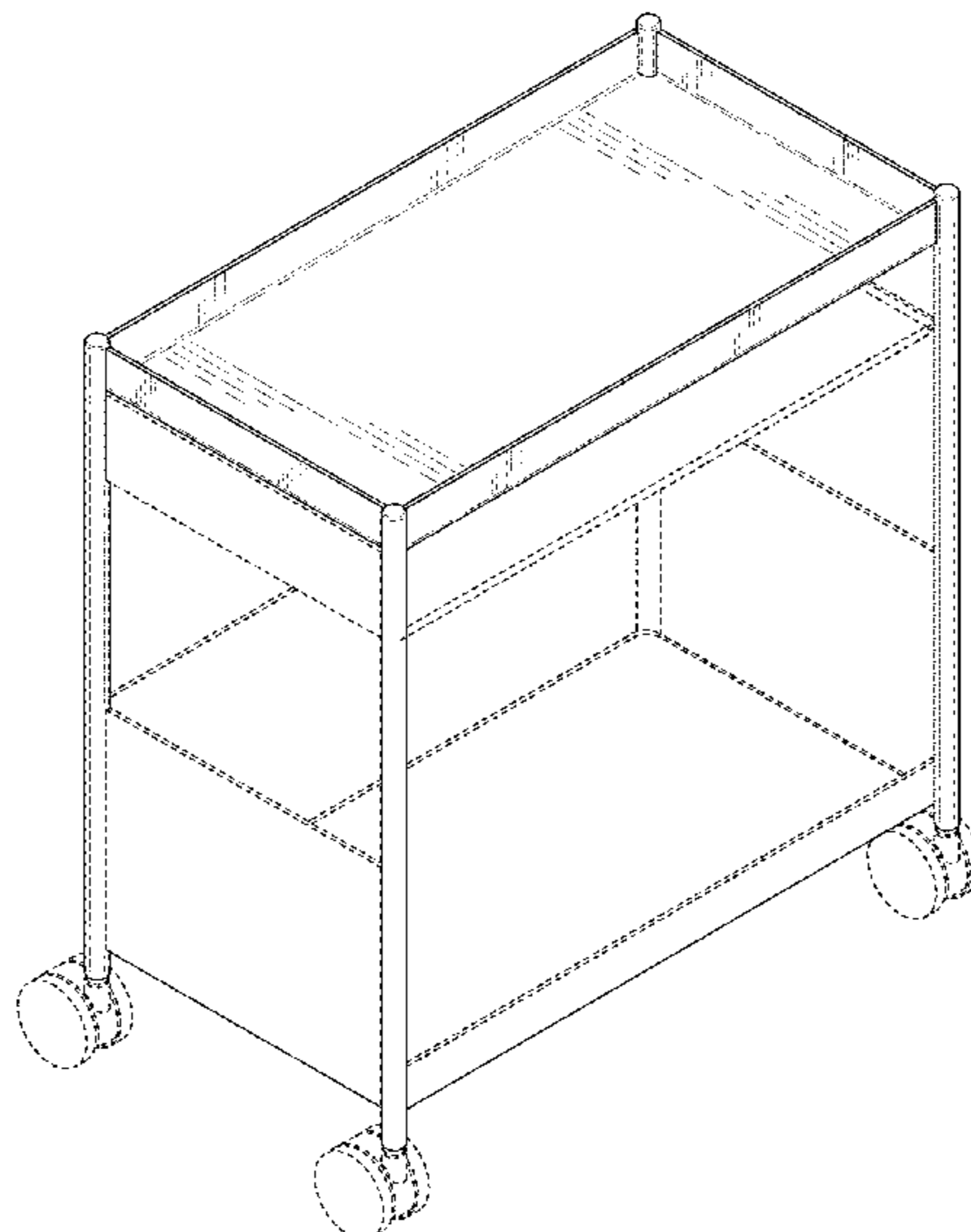
(57) **CLAIM**

We claim the ornamental design for a storage unit, as shown and described.

**DESCRIPTION**

FIG. 1 is a perspective view of a first embodiment of a storage unit.  
 FIG. 2 is a front view of the storage unit of FIG. 1.  
 FIG. 3 is a rear view of the storage unit of FIG. 1.  
 FIG. 4 is a first side view of the storage unit of FIG. 1.  
 FIG. 5 is a second side view of the storage unit of FIG. 1.  
 FIG. 6 is a top view of the storage unit of FIG. 1.  
 FIG. 7 is a bottom view of the storage unit of FIG. 1.  
 FIG. 8 is a perspective view of a second embodiment of a storage unit.  
 FIG. 9 is a front view of the storage unit of FIG. 8.  
 FIG. 10 is a rear view of the storage unit of FIG. 8.  
 FIG. 11 is a first side view of the storage unit of FIG. 8.  
 FIG. 12 is a second side view of the storage unit of FIG. 8.  
 FIG. 13 is a top view of the storage unit of FIG. 8.  
 FIG. 14 is a bottom view of the storage unit of FIG. 8.  
 FIG. 15 is a perspective view of a third embodiment of a storage unit.  
 FIG. 16 is a front view of the storage unit of FIG. 15.  
 FIG. 17 is a rear view of the storage unit of FIG. 15.  
 FIG. 18 is a first side view of the storage unit of FIG. 15.  
 FIG. 19 is a second side view of the storage unit of FIG. 15.  
 FIG. 20 is a top view of the storage unit of FIG. 15; and,  
 FIG. 21 is a bottom view of the storage unit of FIG. 15.  
 The broken lines in the drawings depict portions of the storage unit that form no part of the claimed design.

**1 Claim, 21 Drawing Sheets**



(58) **Field of Classification Search**  
 CPC .. B62B 1/00; B62B 1/008; B62B 1/12; B62B  
 3/002; B62B 3/006; B62B 3/02; B62B  
 3/10; B62B 3/005; B62B 5/0083; B62B  
 5/067; B62B 3/022; B62B 3/001  
 See application file for complete search history.

(56) **References Cited**  
 U.S. PATENT DOCUMENTS

416,283	A	12/1889	Wojidkow	
642,962	A	2/1900	Danner	
1,104,018	A	7/1914	Thiss	
1,603,233	A	10/1926	Conwell et al.	
3,062,382	A	11/1962	Huff	
3,063,765	A	11/1962	Huff	
3,645,569	A	2/1972	Reilly	
3,666,298	A	5/1972	Reilly	
4,998,023	A	3/1991	Kitts	
5,165,638	A	11/1992	Fallon et al.	
5,438,938	A	8/1995	Meeker et al.	
D371,879	S *	7/1996	Linder .....	D34/21
5,755,164	A	5/1998	Korte et al.	
D400,334	S *	10/1998	Hawkins .....	D34/21
5,899,423	A	5/1999	Albertini	
D425,280	S *	5/2000	vom Braucke .....	D34/21
6,584,918	B2	7/2003	Lee	
D493,019	S *	7/2004	Lovegrove .....	D34/17
6,969,211	B2	11/2005	Altman	
D561,972	S *	2/2008	Roever .....	D34/17
D585,621	S *	1/2009	Taillon .....	D34/21
D809,730	S *	2/2018	Churchvara .....	D34/21
D862,027	S *	10/2019	Lizotte .....	D34/21
D901,122	S *	11/2020	Lee .....	D34/21

D914,408	S *	3/2021	Li .....	D34/21
D922,021	S *	6/2021	Phillips .....	D34/21
D927,818	S *	8/2021	Li .....	D34/21
11,173,935	B2 *	11/2021	Liao .....	B62B 3/002
2004/0066012	A1 *	4/2004	Choi .....	B62B 3/02 280/47.35
2004/0120759	A1	6/2004	Altman	
2006/0278777	A1	12/2006	Atkinson et al.	
2016/0185371	A1	6/2016	Churchvara et al.	
2016/0227922	A1	8/2016	Khiabani	
2016/0297458	A1 *	10/2016	Churchvara .....	B62B 5/0447
2017/0356593	A1 *	12/2017	Churchvara .....	B62B 3/005
2020/0391778	A1 *	12/2020	Liao .....	B62B 3/02
2021/0086815	A1 *	3/2021	Kopp .....	B60B 33/045
2021/0354741	A1 *	11/2021	Maples .....	F16B 12/10

OTHER PUBLICATIONS

Tennsco, announced 2013 [online], [site visited May 1, 2022]. Avail from int, URL: <https://www.wayfair.com/commercial-business-furniture/pdp/tennsco-corp-tennsco-two-shelf-metal-utility-cart-tn2505.html> (Year: 2013).\*

New Age, announced 2022 [online], [site visited May 1, 2022]. Avail from int, URL: <https://www.hubert.com/product/31034/New-Age-Aluminum-2-Shelf-Heavy-Duty-Utility-Cart---29L-x-54W-x-41H> (Year: 2022).\*

Ironton, announced 2022 [online], [site visited May 1, 2022]. Avail from int, URL: [https://www.northerntool.com/shop/tools/product\\_200921633\\_200921633](https://www.northerntool.com/shop/tools/product_200921633_200921633) (Year: 2022).\*

DCgraves, announced 2022 [online], [site visited May 1, 2022]. Avail from int, URL: <https://www.dcgraves.com/utility-carts-s/3266.html> (Year: 2022).\*

\* cited by examiner

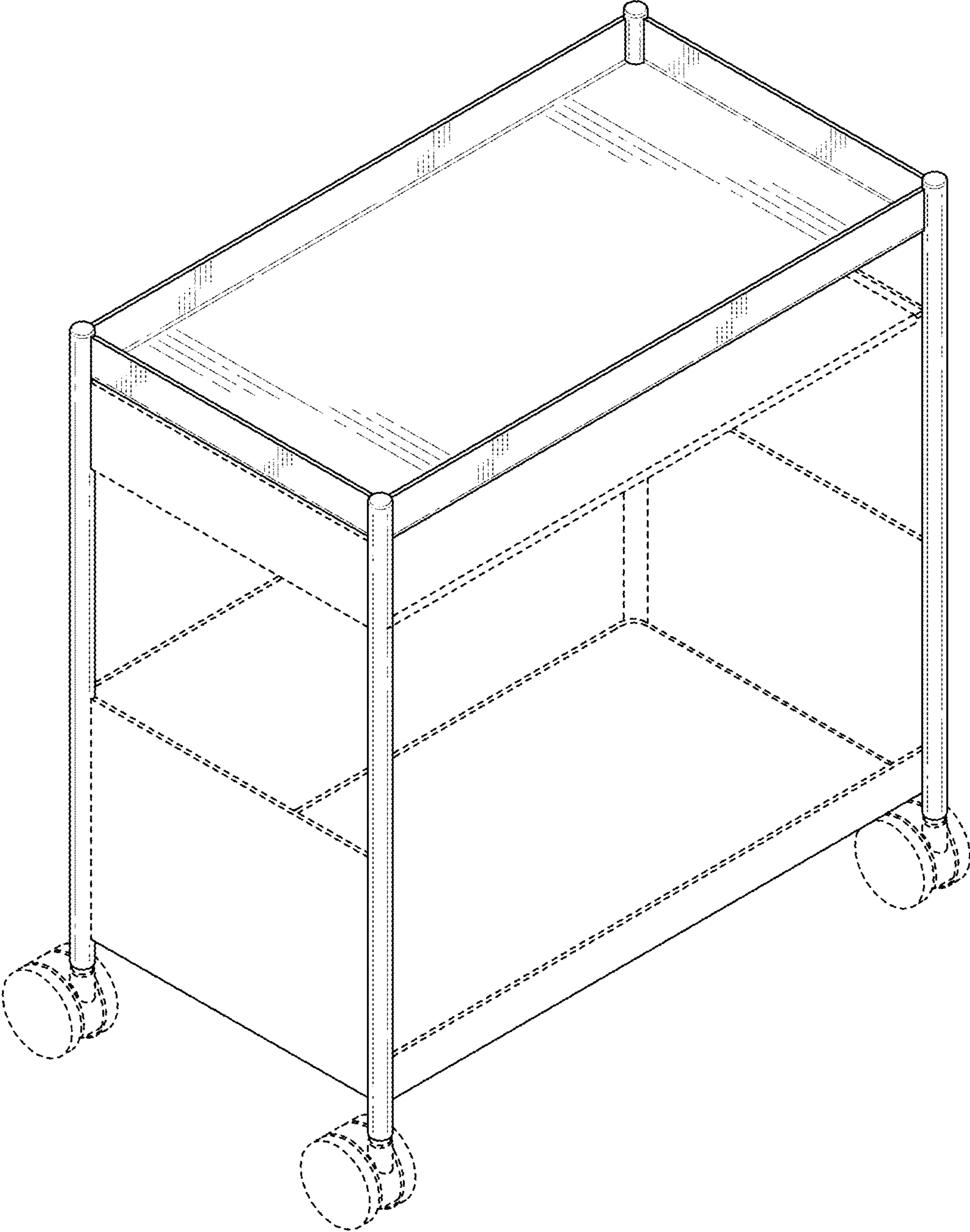


FIG. 1

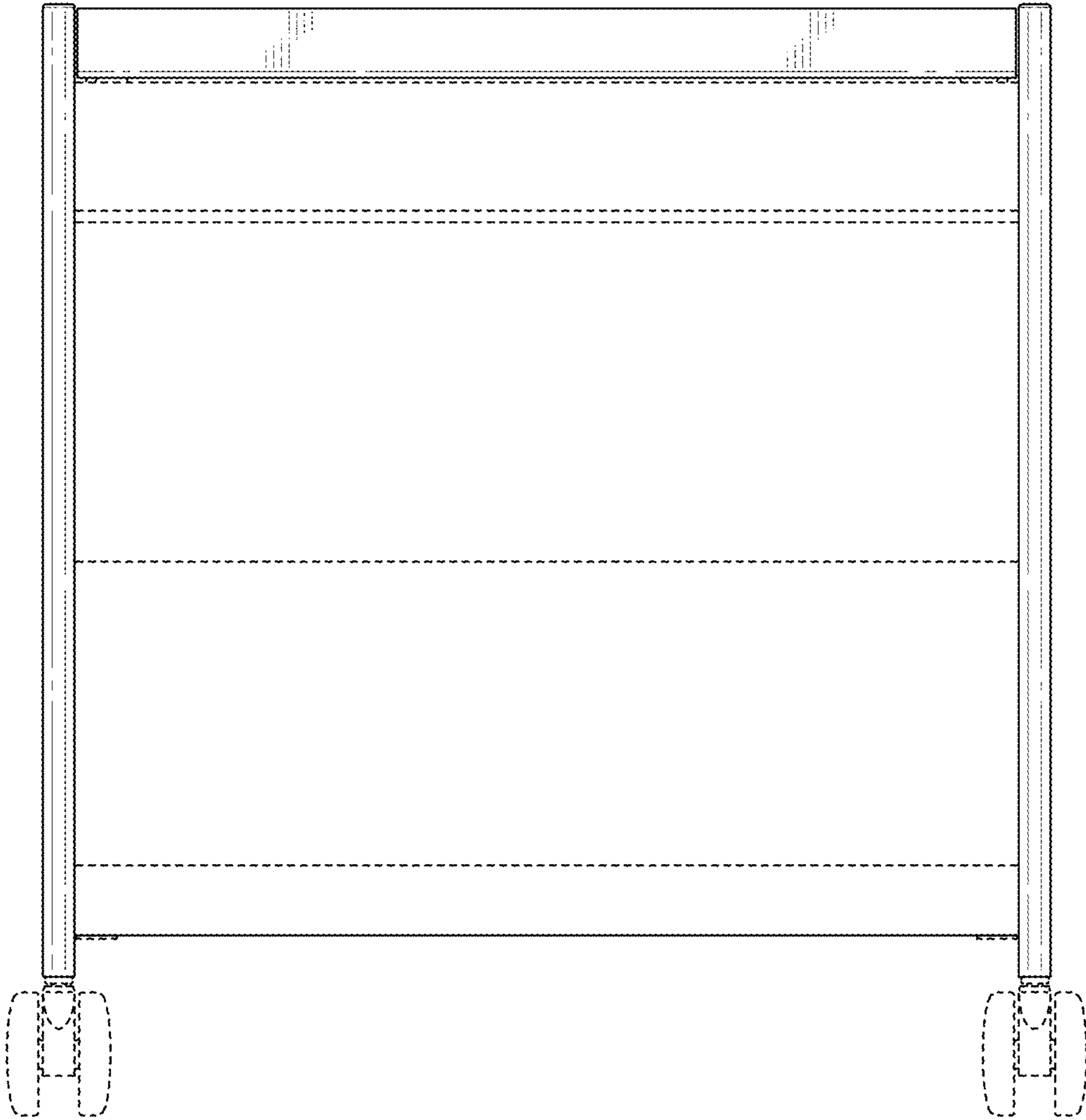


FIG. 2

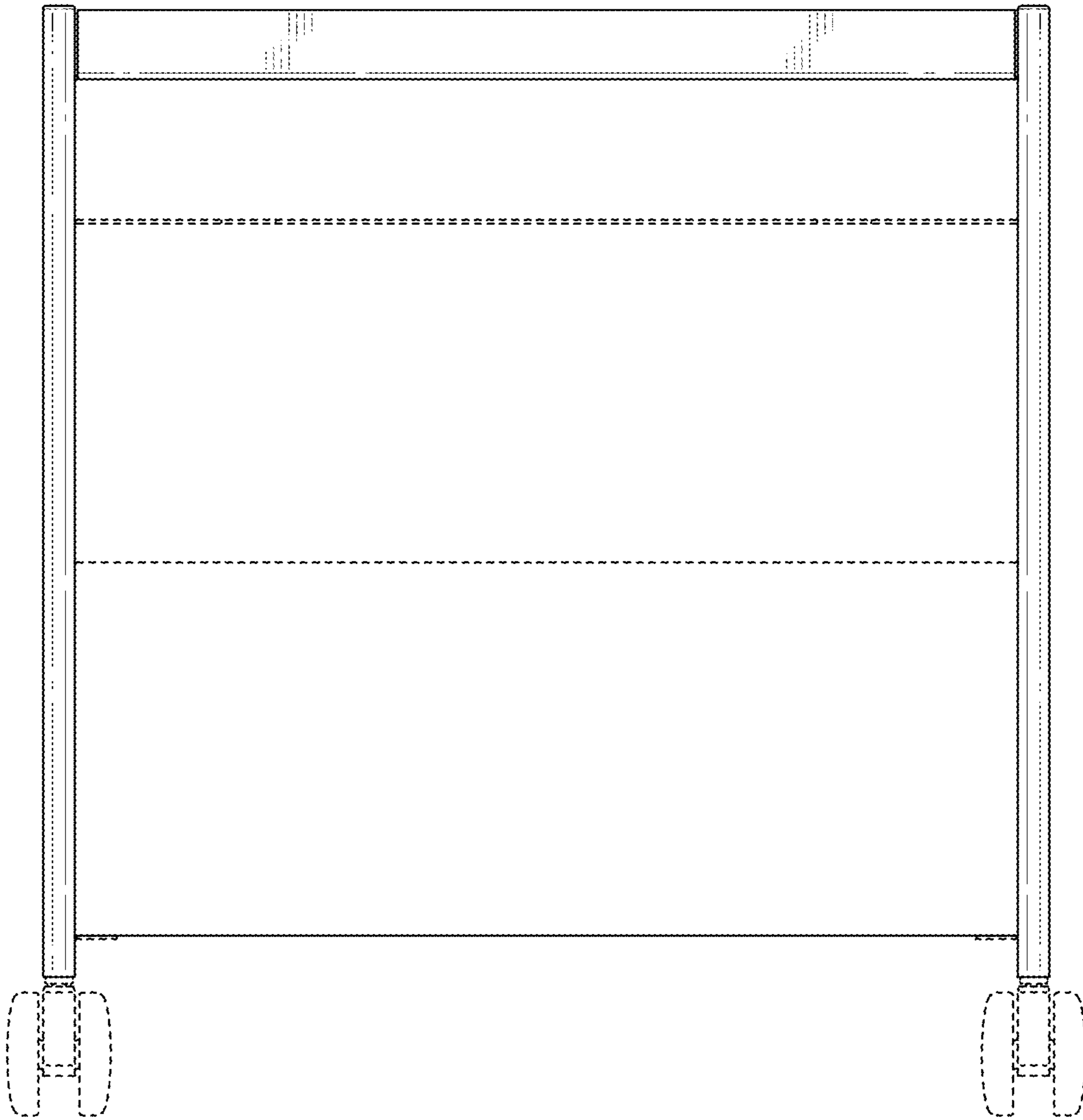


FIG. 3

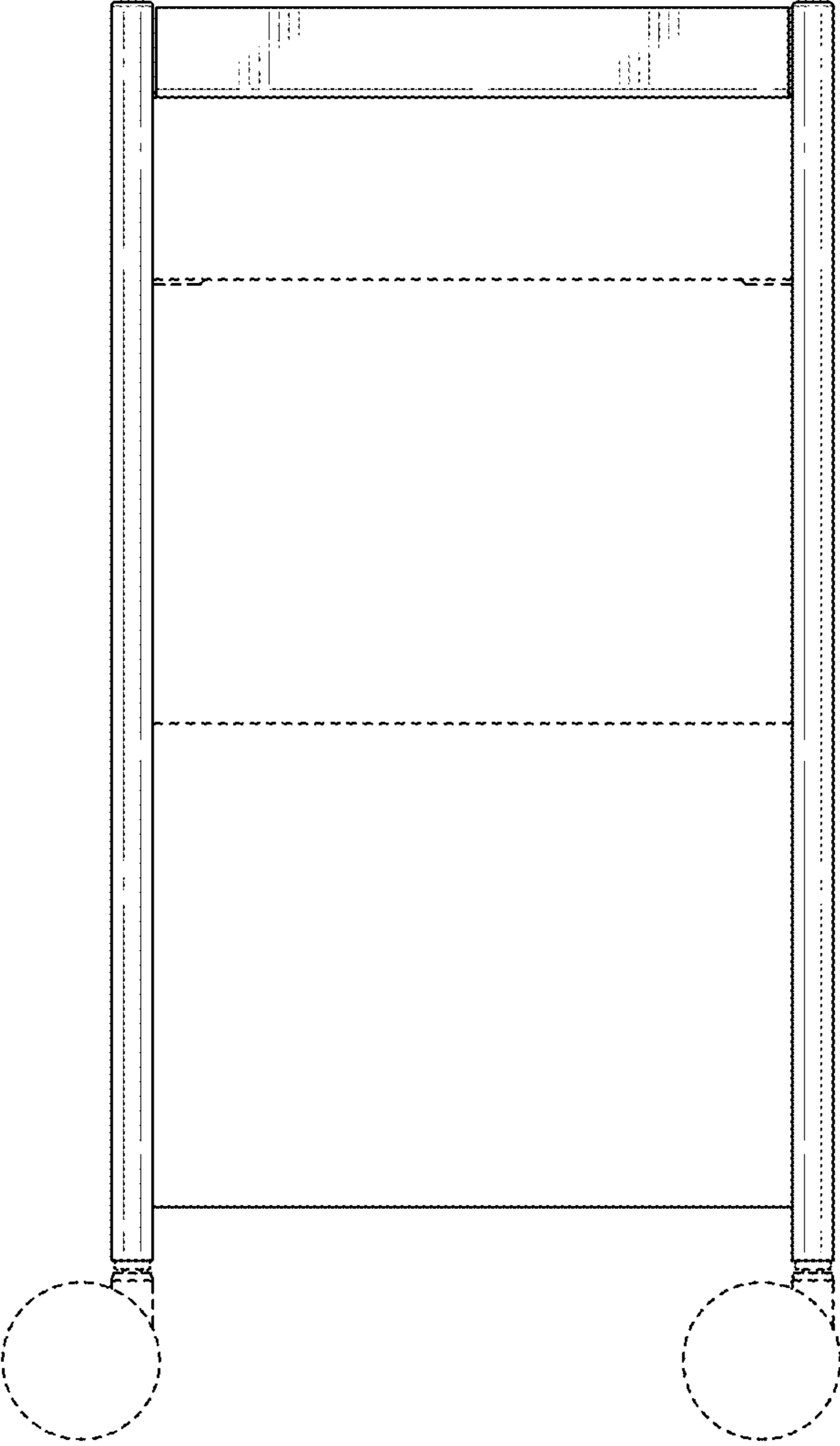


FIG. 4

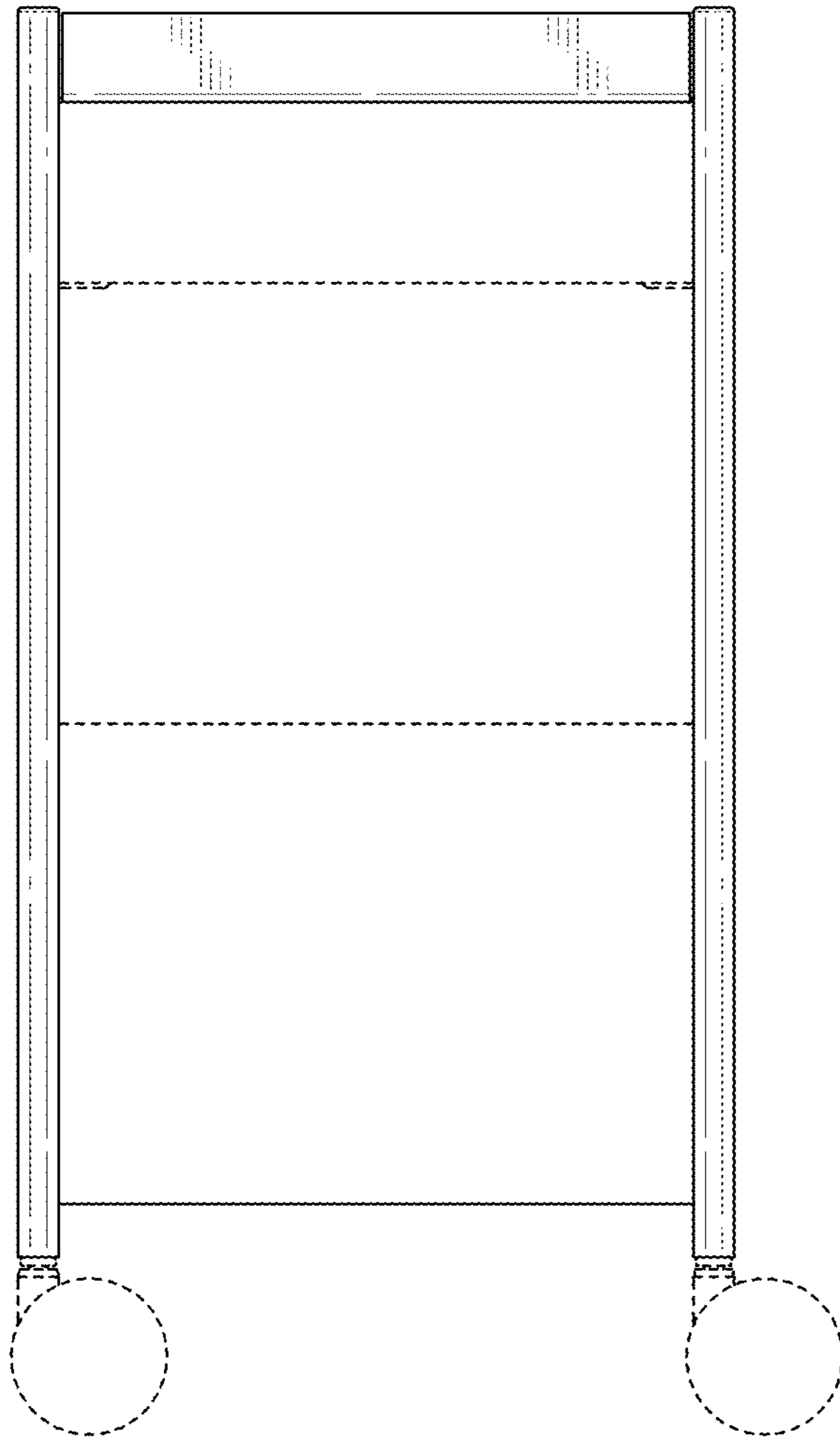


FIG. 5

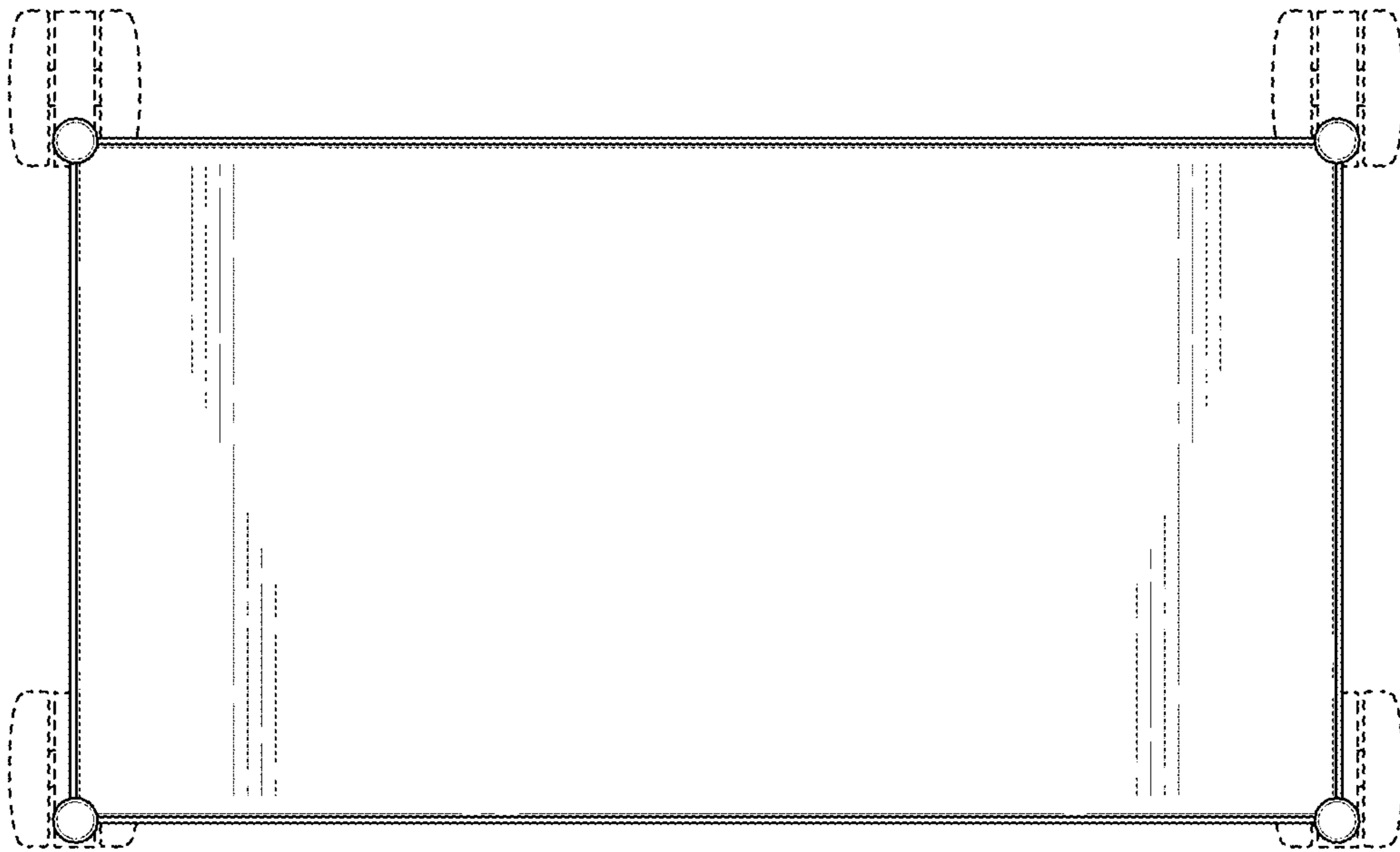


FIG. 6



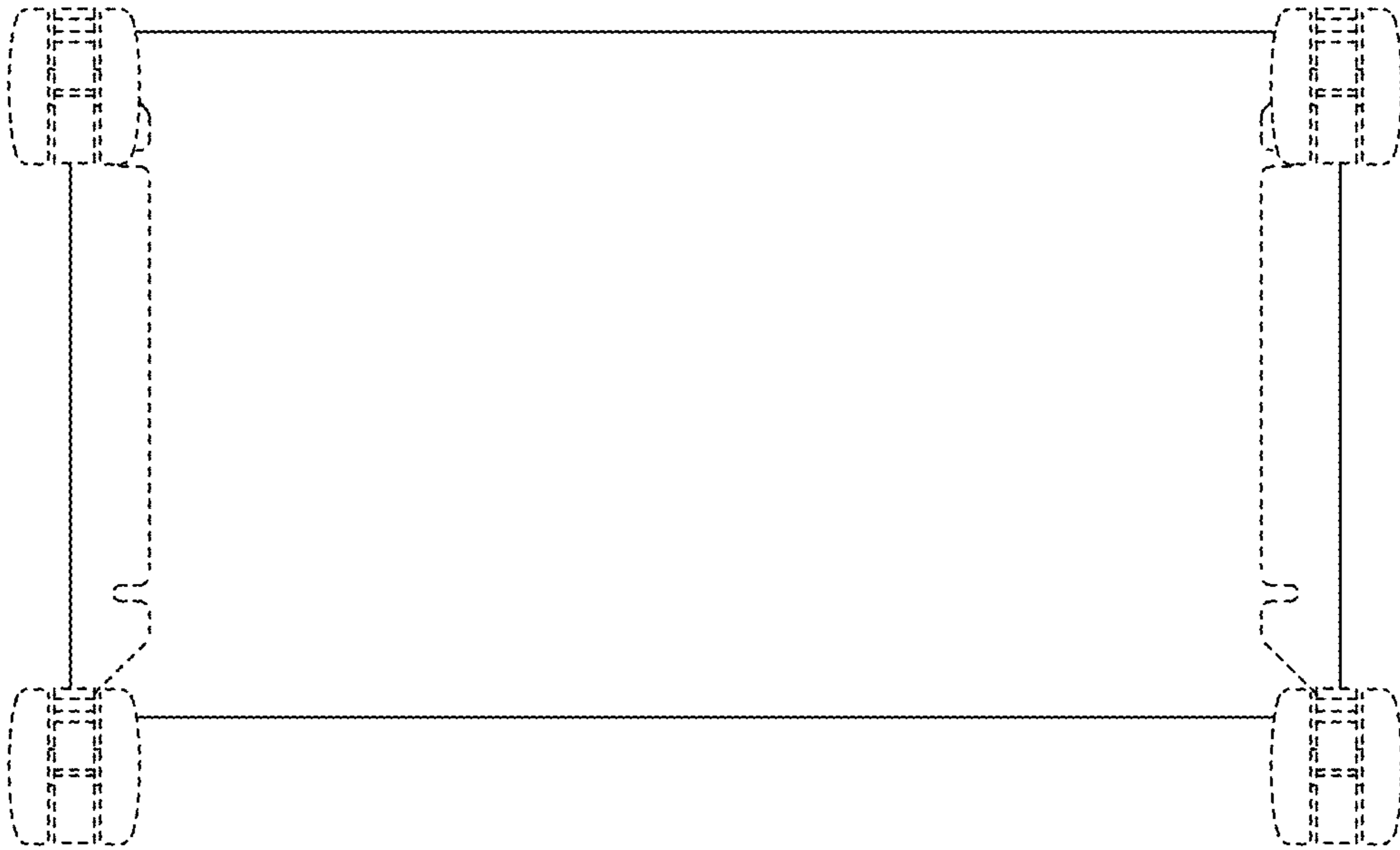


FIG. 7

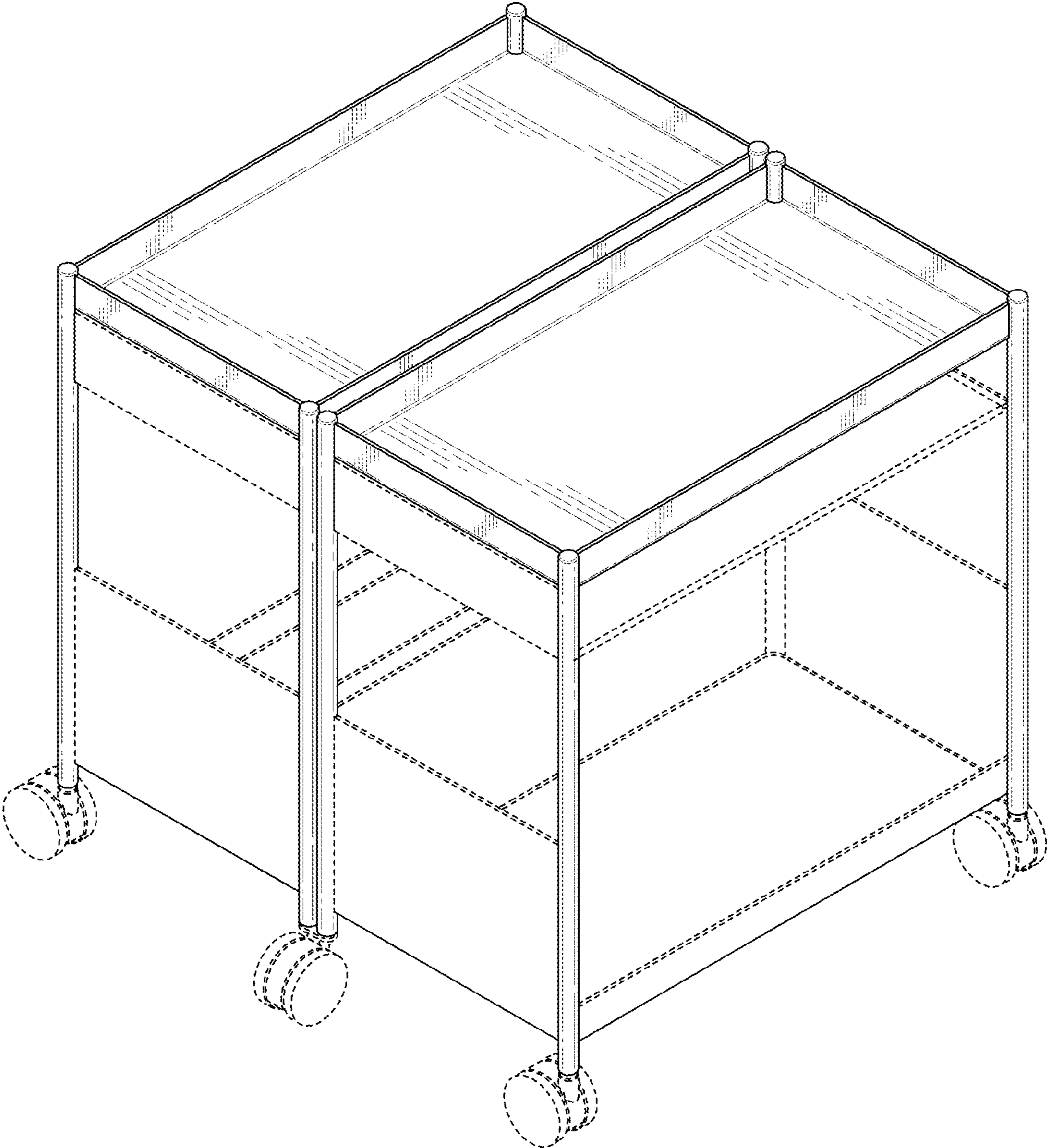


FIG. 8

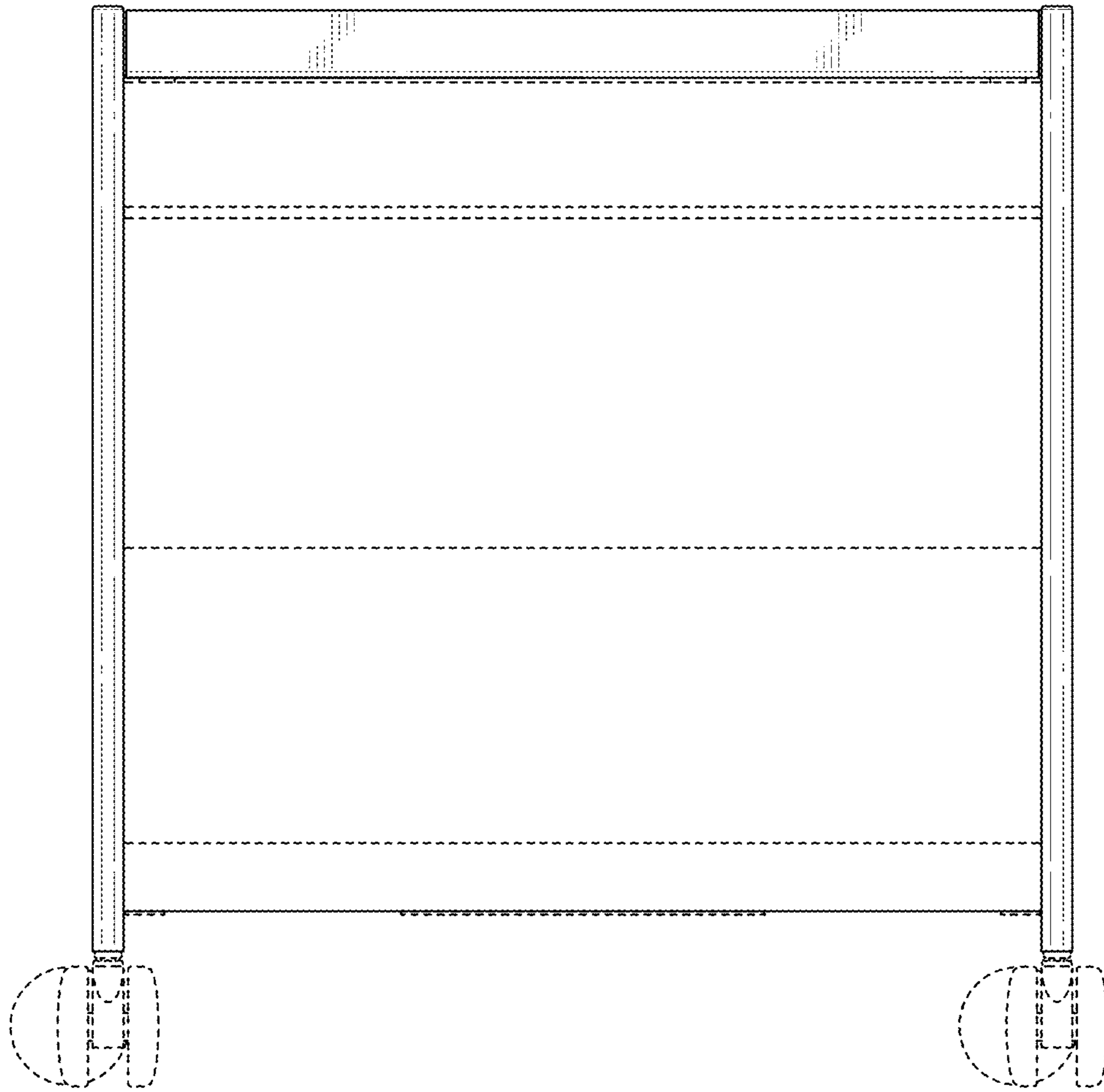


FIG. 9

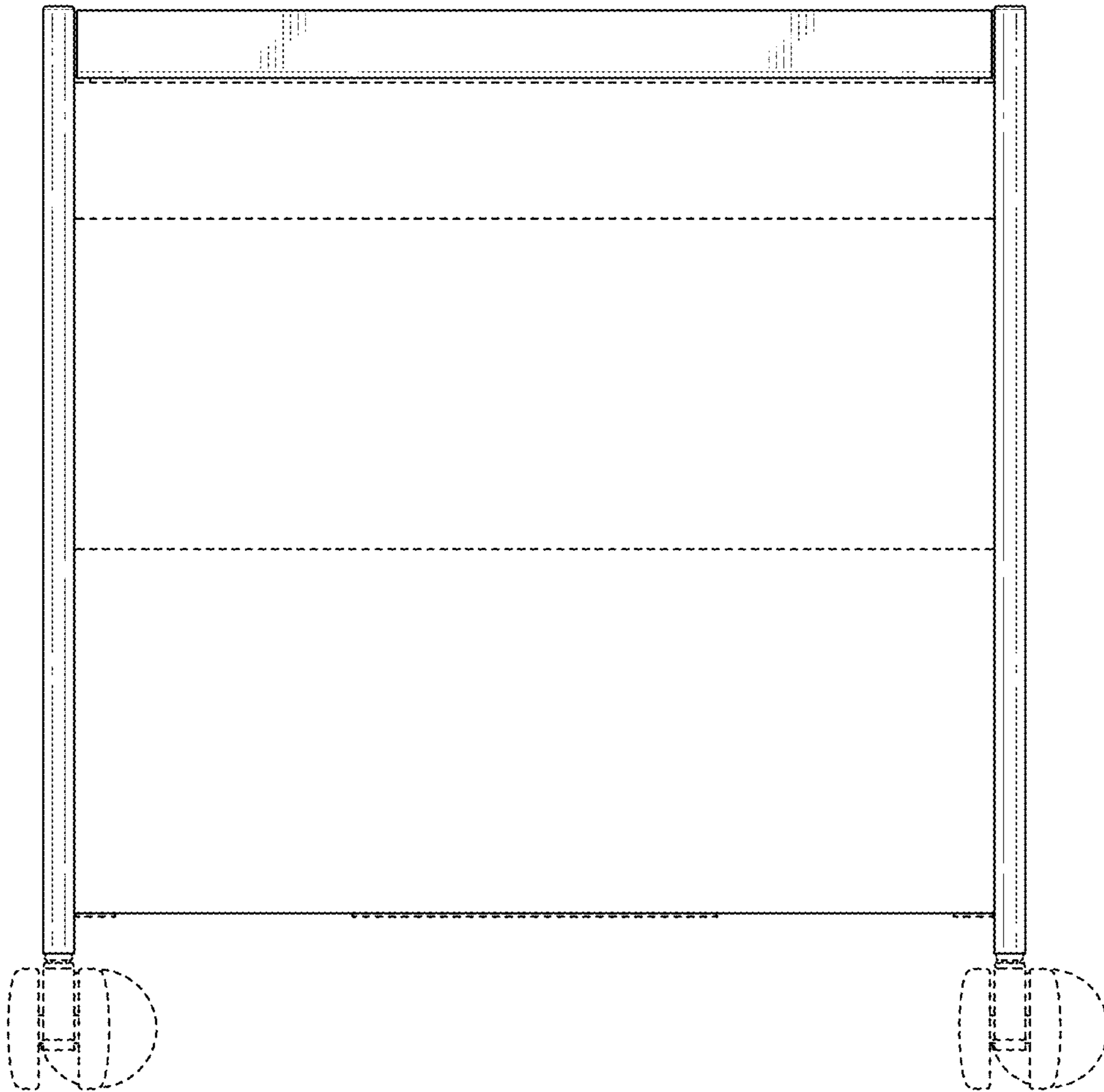


FIG. 10

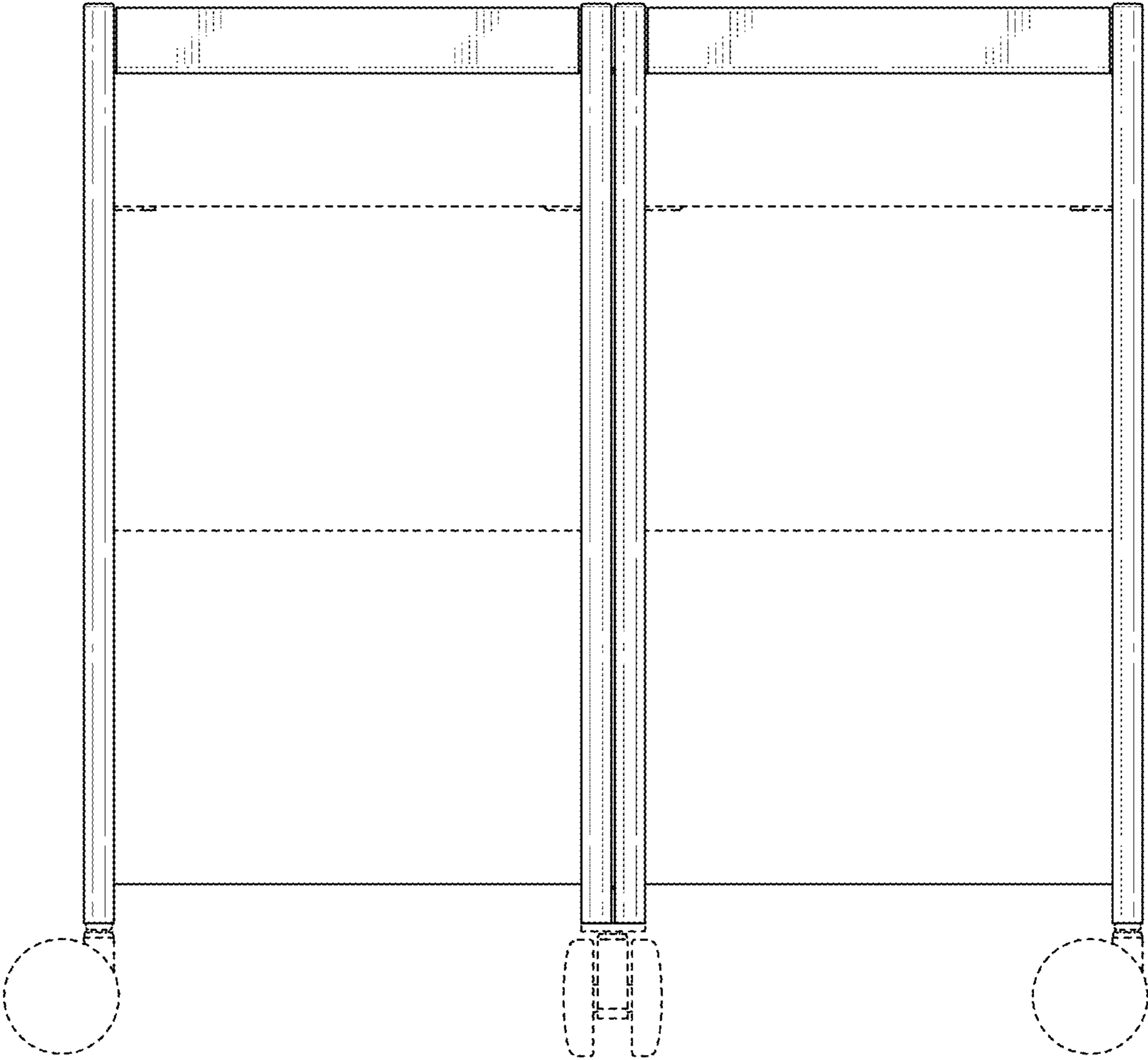


FIG. 11

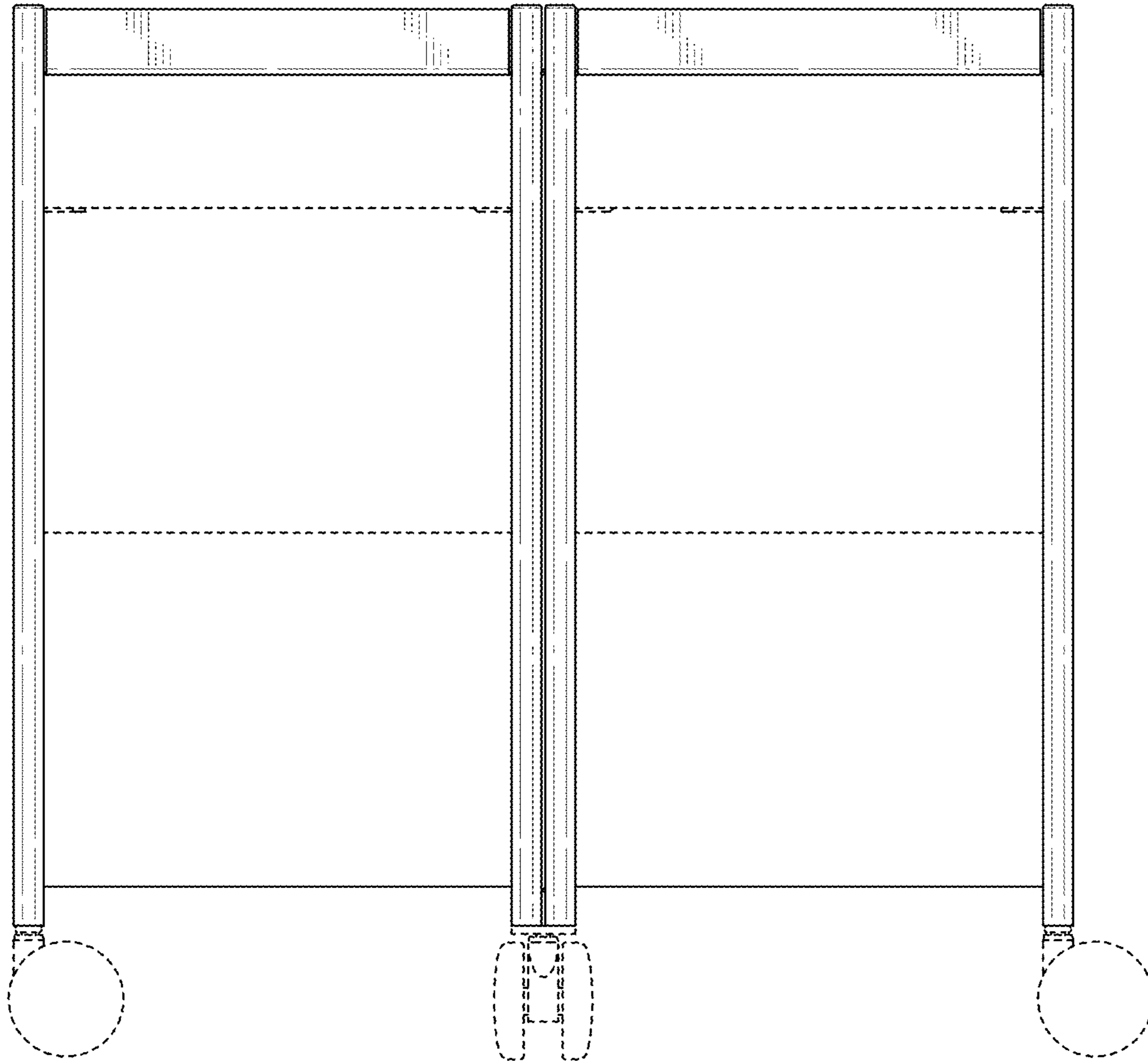


FIG. 12

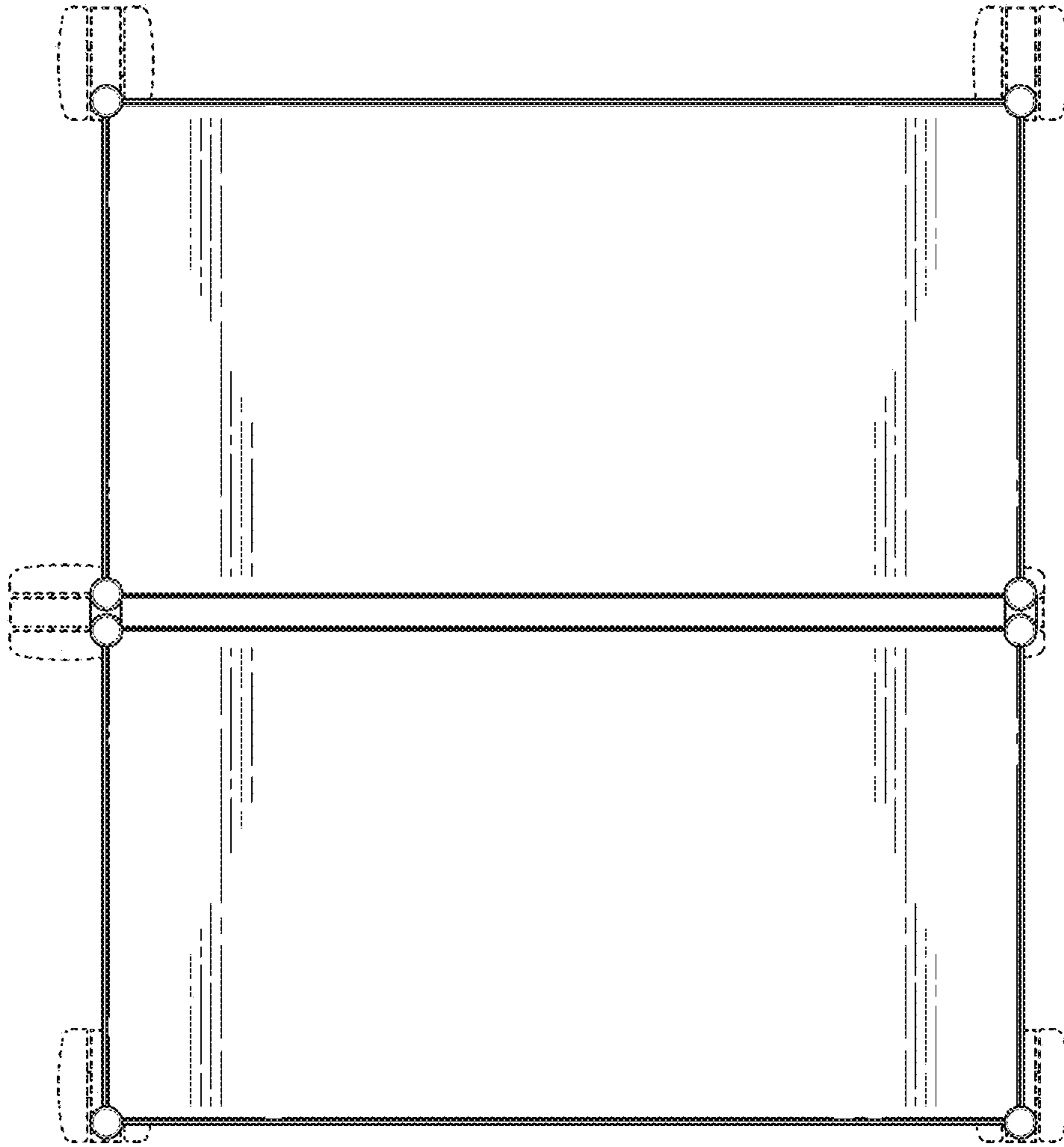


FIG. 13

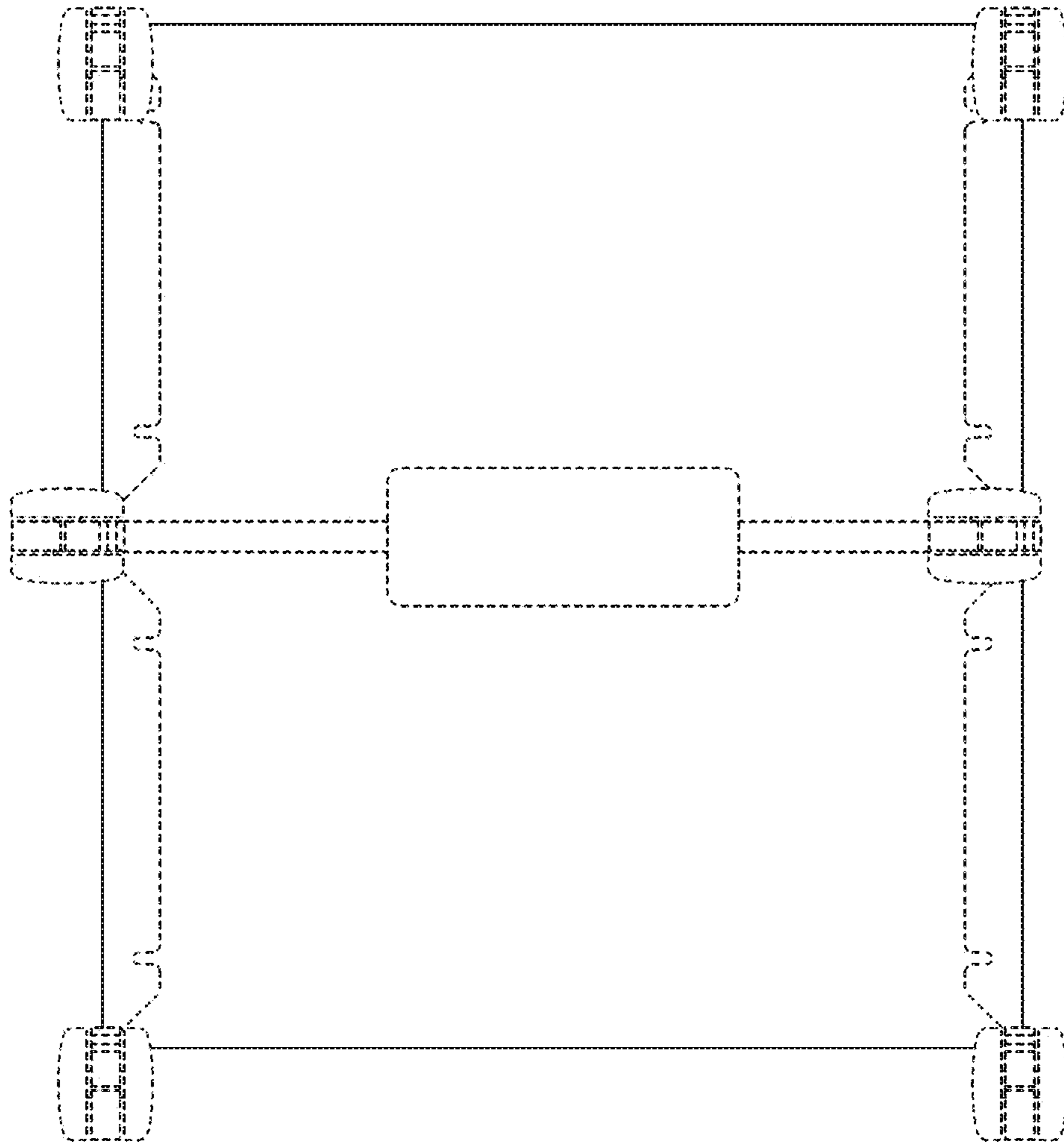


FIG. 14



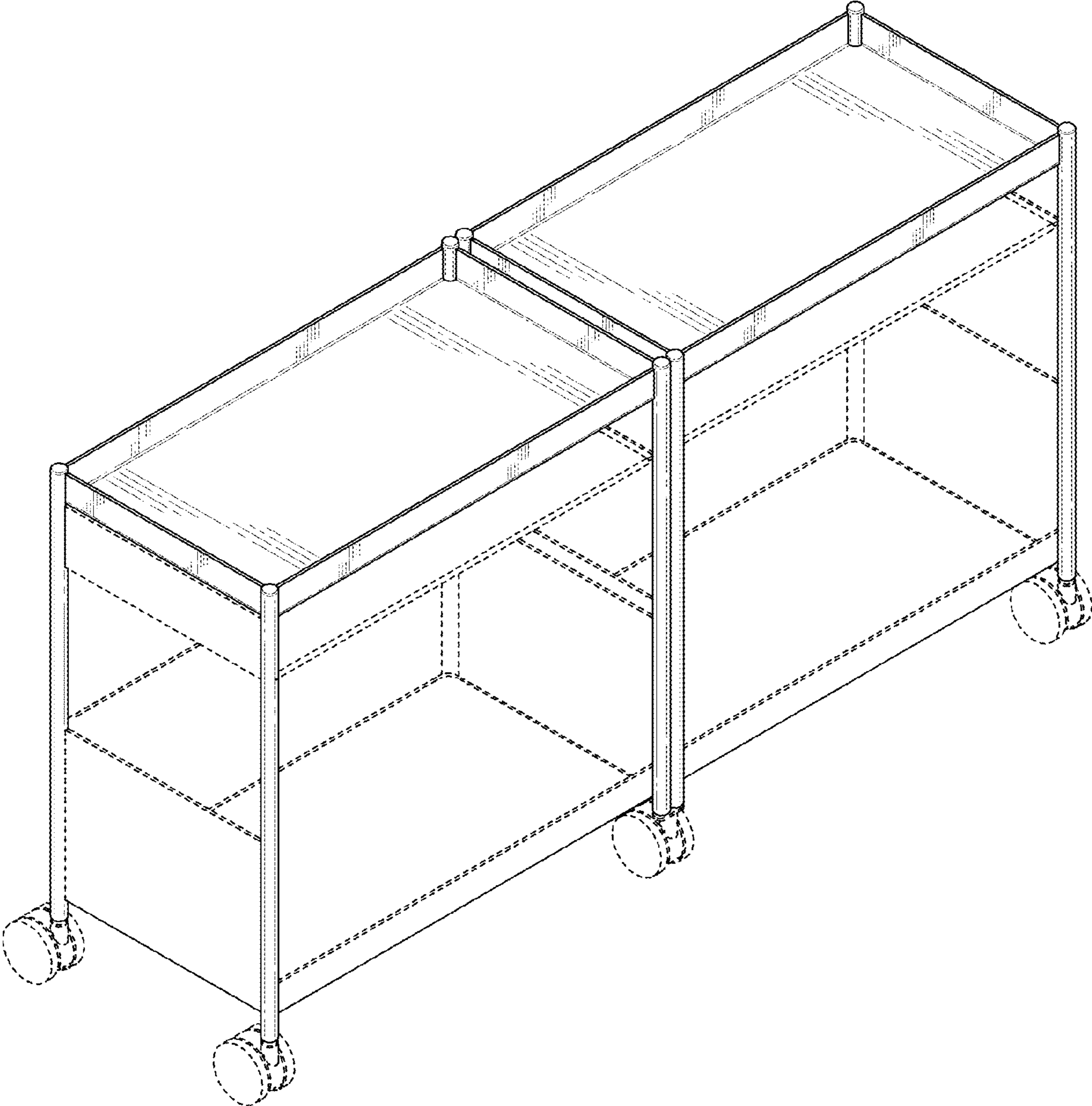


FIG. 15

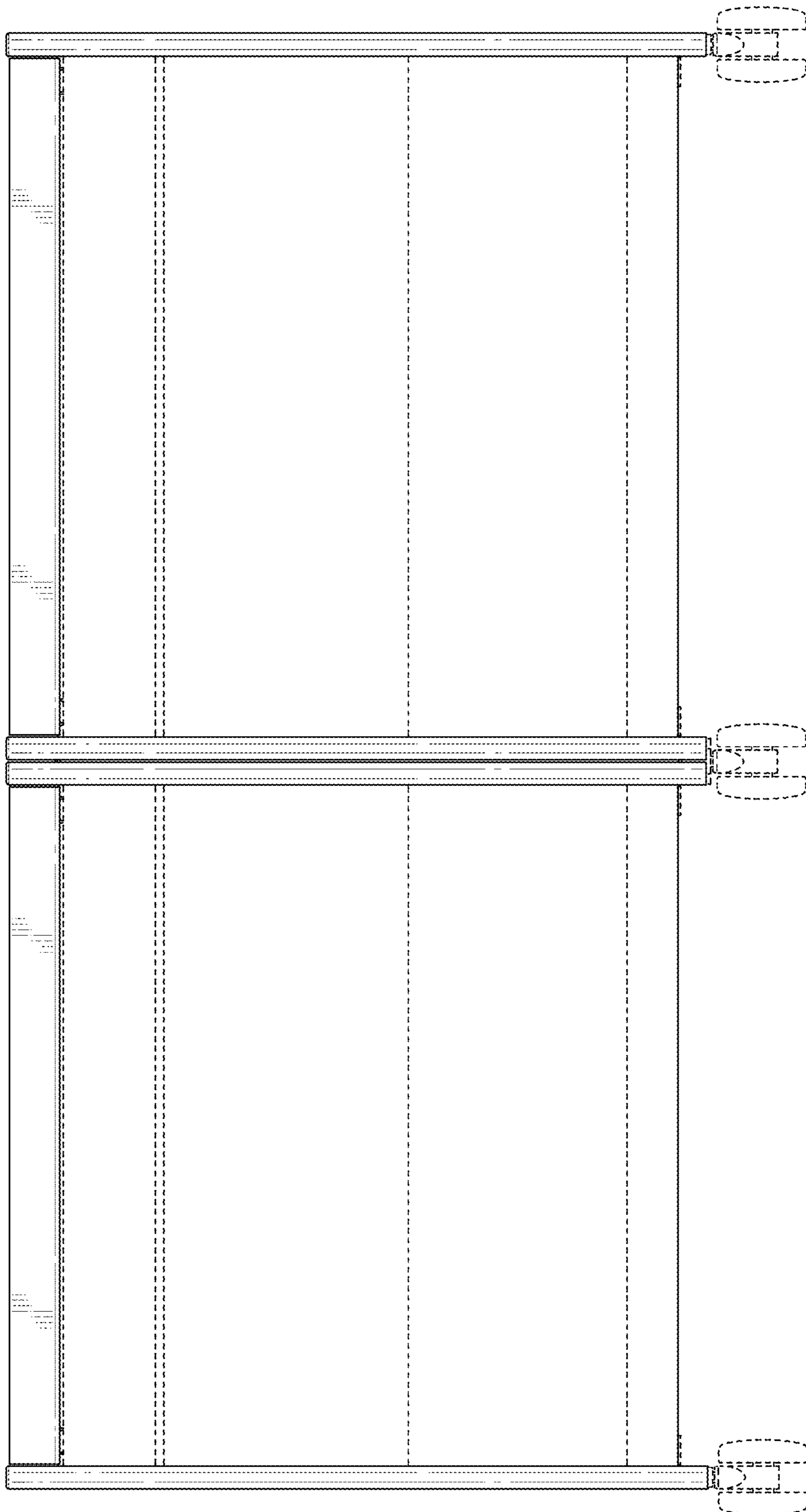


FIG. 16

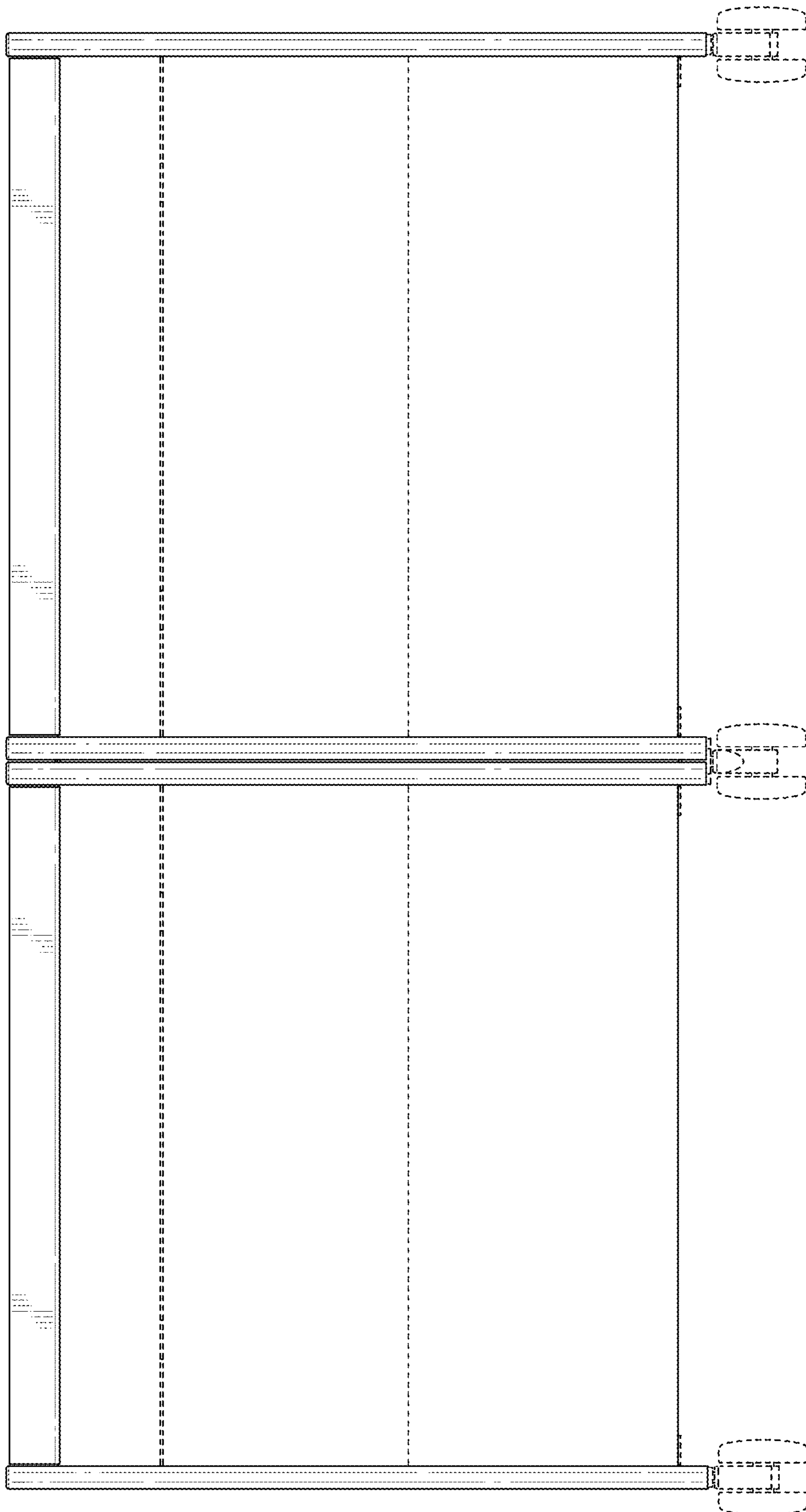


FIG. 17

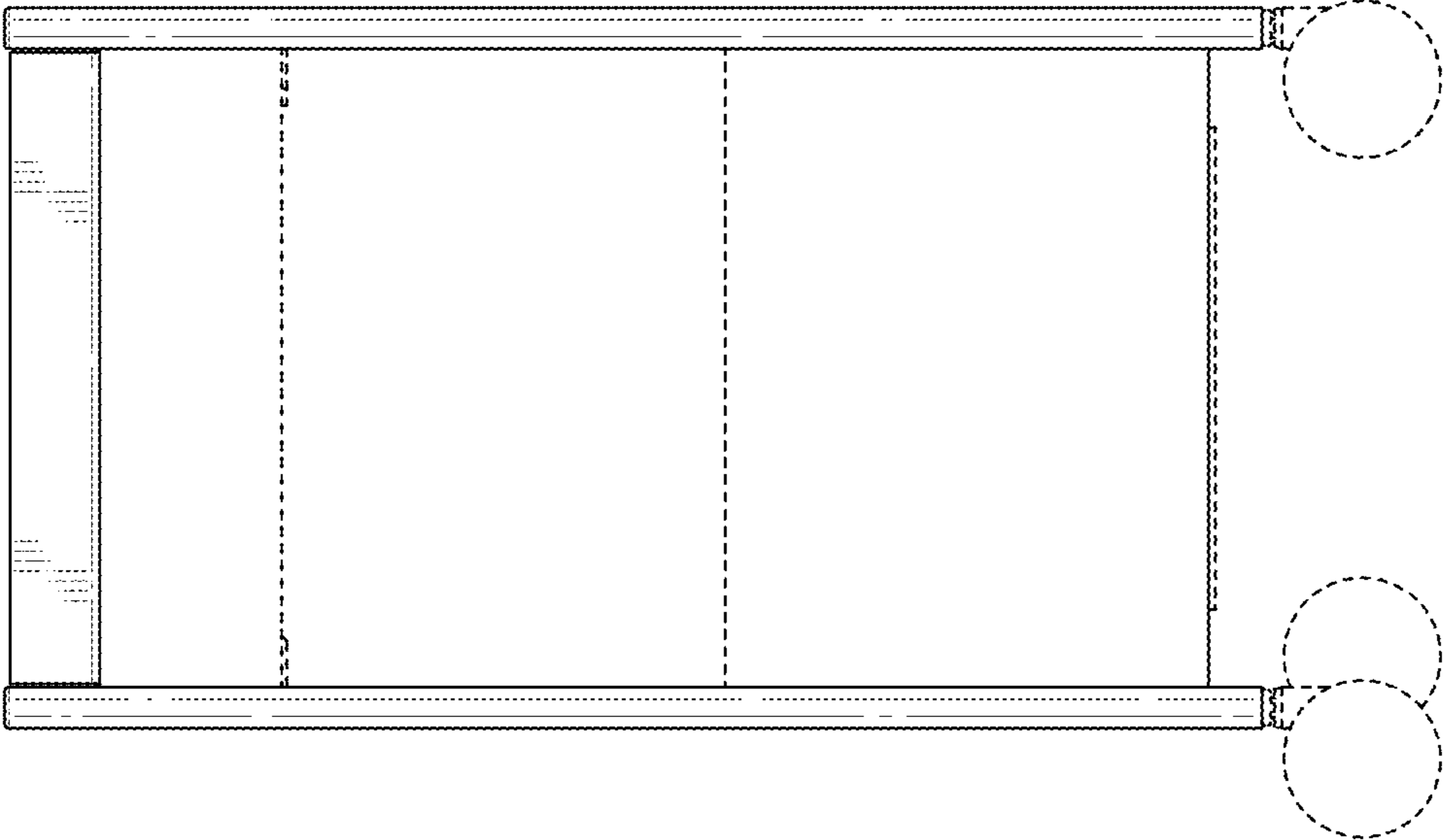


FIG. 18

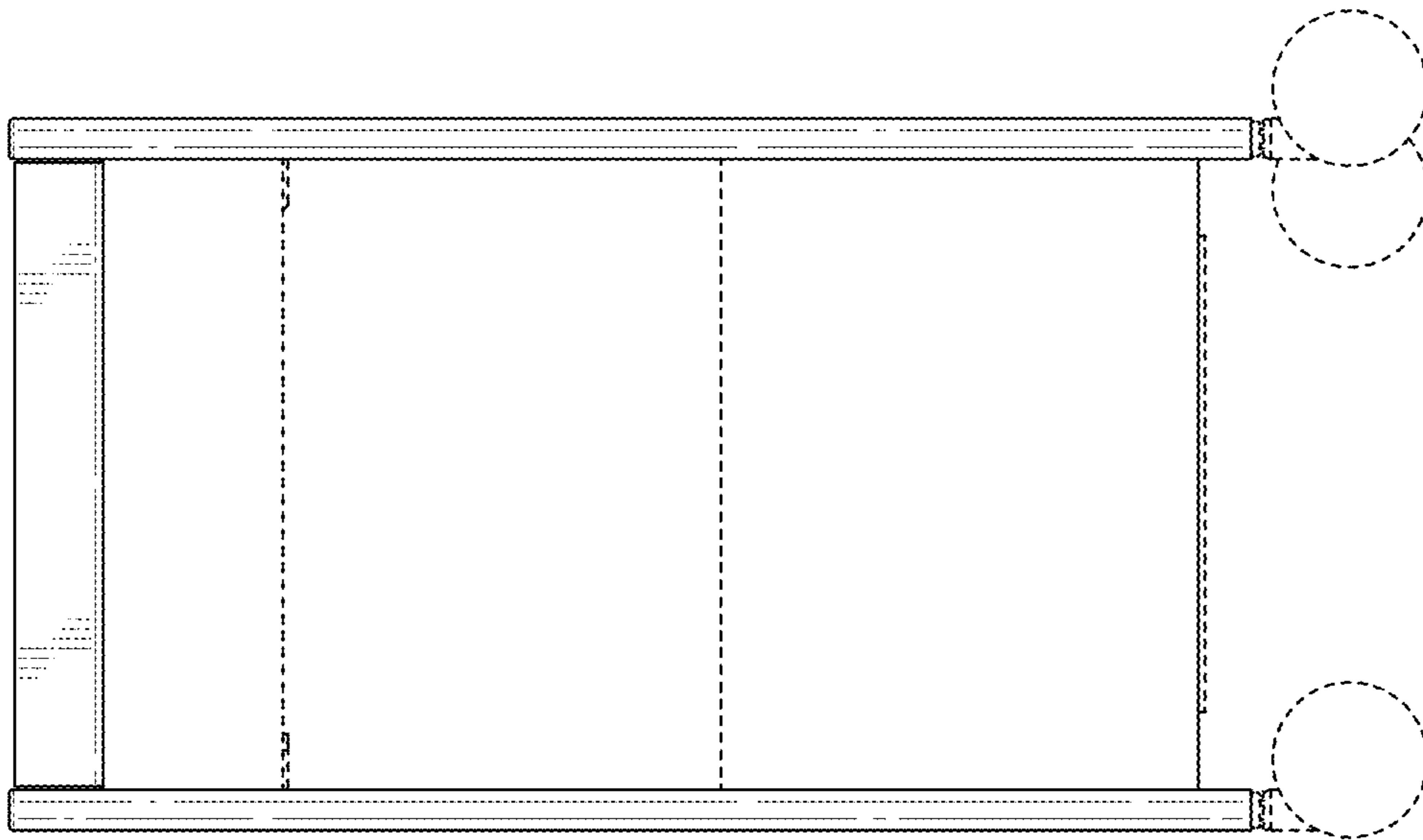


FIG. 19

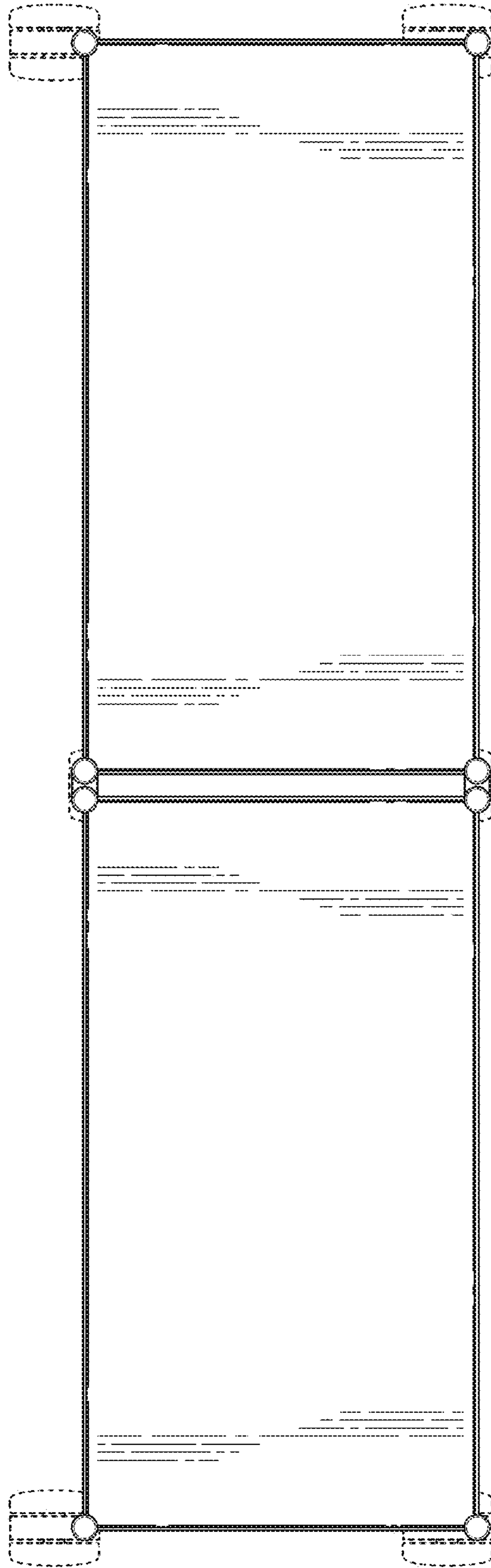


FIG. 20

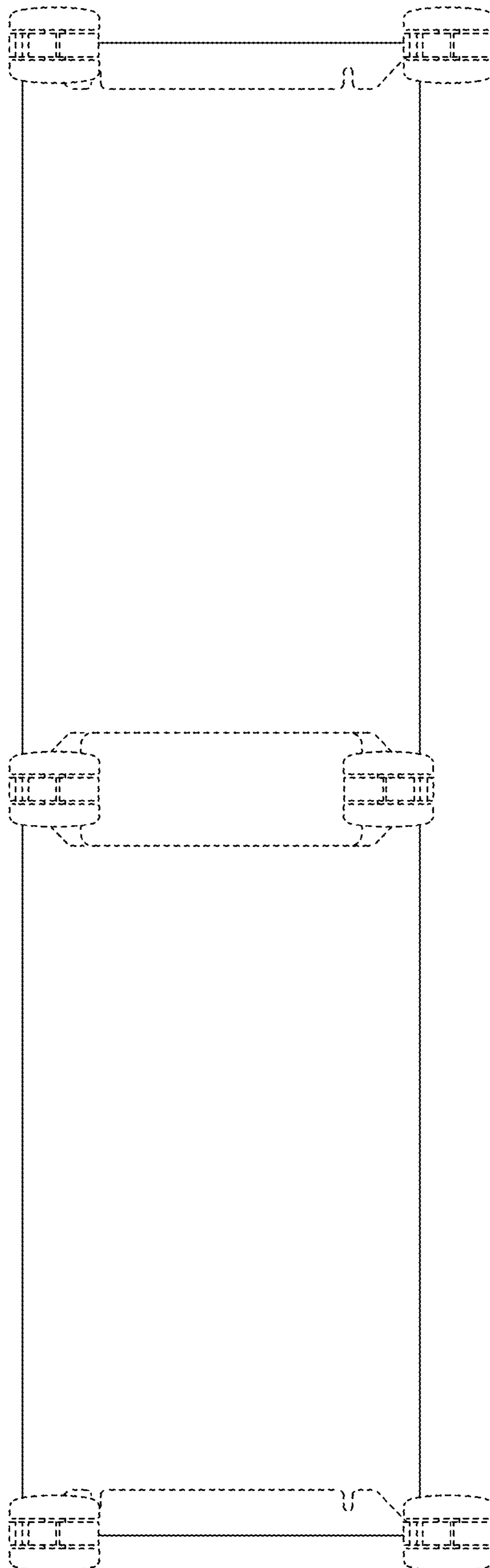


FIG. 21