



US00D979875S

(12) **United States Design Patent** (10) **Patent No.:** **US D979,875 S**
Chen (45) **Date of Patent:** **** Feb. 28, 2023**

(54) **STEP CAN**
(71) Applicant: **EKO DEVELOPMENT LTD.,**
Guangzhou (CN)
(72) Inventor: **Yizhi Chen,** Guangzhou (CN)
(73) Assignee: **EKO Development Ltd.,** Guangzhou
(CN)
(**) Term: **15 Years**
(21) Appl. No.: **29/783,783**
(22) Filed: **May 14, 2021**
(51) **LOC (14) Cl.** **09-09**
(52) **U.S. Cl.**
USPC **D34/9**
(58) **Field of Classification Search**
USPC D34/1-11
CPC B65F 1/00; B65F 1/163; B65F 1/1638;
B65F 1/0033; B65F 2001/1489; Y10S
220/908
See application file for complete search history.

(56) **References Cited**

U.S. PATENT DOCUMENTS

D215,617 S 10/1969 Heck
D246,090 S 10/1977 Gault
D250,744 S 1/1979 Morin
D319,905 S * 9/1991 Hotchkiss D34/9
D322,350 S * 12/1991 Craft, Jr. D34/9
D333,542 S 2/1993 McKenzie
D335,562 S 5/1993 Evans
5,242,074 A 9/1993 Conaway et al.
D342,817 S 12/1993 Lippisch et al.
D343,709 S 1/1994 Doty et al.
5,531,348 A 7/1996 Baker et al.
D380,613 S 7/1997 Apps et al.
D437,384 S 2/2001 Fletcher et al.
6,345,725 B1 2/2002 Lin
D472,357 S 3/2003 Stewart
D472,688 S 4/2003 Lin

D482,169 S 11/2003 Lin
D488,903 S 4/2004 Yang et al.
D513,103 S 12/2005 Lin
6,981,606 B2 1/2006 Yang et al.
D517,767 S 3/2006 Yang et al.
D527,155 S 8/2006 Frankhauser

(Continued)

FOREIGN PATENT DOCUMENTS

CN 307434858 * 7/2022

OTHER PUBLICATIONS

EKO bin, announced 2022 [online], [site visited Nov. 2, 2022].
Avail from int, URL: <https://www.eko.com.cn/products/show.php?site=2&cid=14&id=58> (Year: 2022).*

(Continued)

Primary Examiner — Cynthia Ramirez

Assistant Examiner — Tamara L Hahn

(74) *Attorney, Agent, or Firm* — William H. Dippert;
Laurence A. Greenberg; Werner H. Stemer

(57) **CLAIM**

The ornamental design for a step can, as shown and described.

DESCRIPTION

FIG. 1 is a perspective view of a step can, showing my new design.

FIG. 2 is a top plan view thereof.

FIG. 3 is a front elevation view thereof.

FIG. 4 is a right-side elevation view thereof.

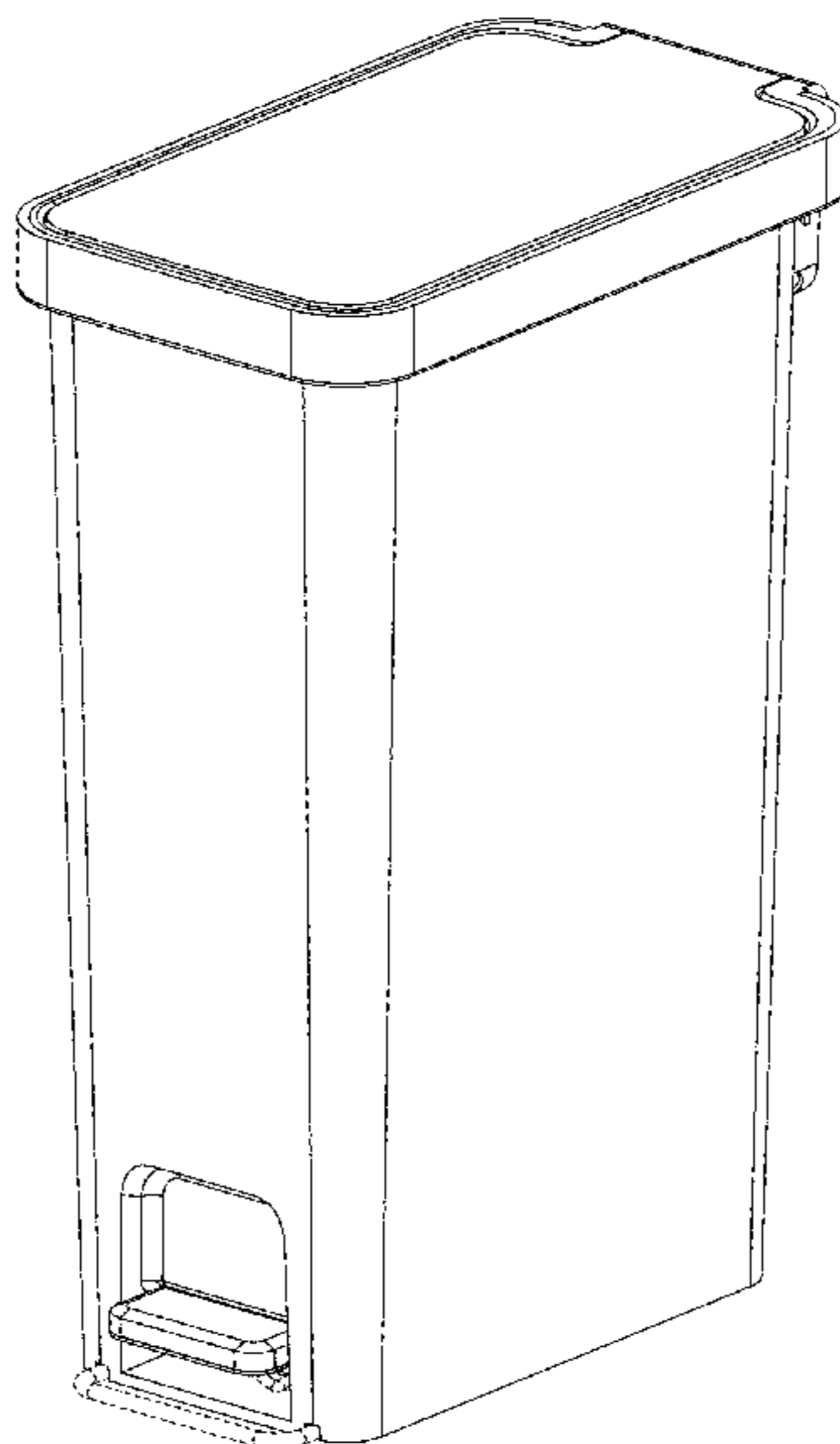
FIG. 5 is a rear elevation view thereof.

FIG. 6 is a bottom plan view thereof; and,

FIG. 7 is a left-side elevation view thereof.

The broken lines in the drawings represent portions of the step can that form no part of the claimed design.

1 Claim, 7 Drawing Sheets



(56)

References Cited

U.S. PATENT DOCUMENTS

D533,703 S 12/2006 Lin
 D535,800 S 1/2007 Yang et al.
 D537,223 S 2/2007 Lin
 D537,599 S 2/2007 Lin
 D537,601 S 2/2007 Lin
 D538,000 S 3/2007 Lin
 D540,501 S 4/2007 Wang
 D543,673 S 5/2007 Yang et al.
 D544,671 S 6/2007 Saunders et al.
 D547,917 S 7/2007 Yang et al.
 D552,321 S 10/2007 Yang et al.
 D555,318 S 11/2007 Lin
 D555,320 S 11/2007 Yang et al.
 D561,969 S 2/2008 Lin
 D561,971 S 2/2008 Lin
 D566,367 S 4/2008 Lin
 D566,923 S 4/2008 Lin
 D567,468 S 4/2008 Yang et al.
 D568,570 S 5/2008 Lin
 D568,571 S 5/2008 Lin
 D571,520 S 6/2008 Lin
 D572,423 S 7/2008 Lin
 D580,120 S 11/2008 Lin
 D580,613 S 11/2008 Yang et al.
 D580,615 S 11/2008 Yang et al.
 D591,471 S 4/2009 Lee
 D593,271 S 5/2009 Yang et al.
 D593,796 S 6/2009 Kevan
 D595,917 S 7/2009 Liao
 7,559,433 B2 7/2009 Yang et al.
 D620,667 S 7/2010 Liao
 D620,668 S 7/2010 Liao
 D627,533 S 11/2010 Yang et al.
 D631,221 S 1/2011 Yang et al.
 D634,911 S 3/2011 Yang et al.
 D644,390 S 8/2011 Smeets et al.
 D644,806 S 9/2011 Yang et al.
 8,074,824 B1 12/2011 Roby-Wilson
 8,074,833 B2 12/2011 Yang et al.
 D655,061 S 2/2012 Scaturro
 D657,108 S 4/2012 Yang et al.
 D657,109 S 4/2012 Liao
 D675,802 S 2/2013 Yang et al.
 D675,803 S 2/2013 Yang et al.
 D709,662 S 7/2014 Yang et al.
 8,820,566 B2 9/2014 Ude
 D717,014 S * 11/2014 Han D34/9
 D719,313 S 12/2014 Kao
 D720,513 S 12/2014 Yang et al.
 D725,861 S 3/2015 Yang et al.
 D727,583 S 4/2015 Yang et al.
 D730,007 S 5/2015 Machen
 D730,008 S 5/2015 Yang et al.
 D734,912 S 7/2015 Ho et al.
 D739,109 S 9/2015 Becham et al.
 D743,138 S 11/2015 Sun Ting Kung et al.
 D754,413 S 4/2016 Wall
 D759,934 S 6/2016 Yang et al.
 D762,037 S 7/2016 Chen
 D765,937 S 9/2016 Chen
 D769,564 S 10/2016 Chen
 D771,344 S 11/2016 Yang et al.
 D773,145 S 11/2016 Yang et al.
 D773,769 S 12/2016 Chen
 D787,828 S 5/2017 Thoma et al.
 D790,145 S 6/2017 Chen
 D793,022 S 7/2017 Liao
 D793,642 S 8/2017 Yang et al.
 D796,766 S 9/2017 Chen
 D796,767 S 9/2017 Chen
 D798,016 S 9/2017 Yang et al.
 D804,133 S 11/2017 Yang et al.

D809,729 S 2/2018 Chen
 D813,485 S 3/2018 Liao
 D827,968 S 9/2018 Chen
 D829,400 S 9/2018 Yang et al.
 D830,659 S 10/2018 Greenspon et al.
 D831,289 S 10/2018 Greenspon et al.
 D835,374 S 12/2018 Yang et al.
 D836,278 S 12/2018 Berberet et al.
 D837,473 S 1/2019 Magnuson et al.
 D841,275 S 2/2019 Chen
 D842,573 S 3/2019 Smeets
 D845,576 S 4/2019 Lu
 D851,350 S 6/2019 Lu
 D853,064 S 7/2019 Chen
 D853,066 S 7/2019 Liao
 D853,067 S 7/2019 Chen
 D853,068 S 7/2019 Chen
 D855,919 S 8/2019 Yang et al.
 D860,570 S 9/2019 Chen
 D871,012 S 12/2019 Chen
 D874,776 S * 2/2020 Spadotto D34/9
 D876,040 S * 2/2020 Chen D34/9
 D911,650 S * 2/2021 Liao D34/9
 D923,900 S * 6/2021 Liao D34/9
 2003/0201267 A1 10/2003 Yang et al.
 2005/0230397 A1 10/2005 Yang et al.
 2007/0090112 A1 4/2007 Kalman et al.
 2007/0205195 A1 9/2007 Yang et al.
 2008/0006638 A1 1/2008 Yang et al.
 2008/0245794 A1 * 10/2008 Escobar B65F 1/163
 206/518
 2009/0314779 A1 12/2009 Lee
 2011/0017735 A1 1/2011 Wang et al.
 2011/0049149 A1 3/2011 Shih
 2011/0139781 A1 6/2011 Jin et al.
 2011/0220648 A1 9/2011 Yang et al.
 2013/0098913 A1 4/2013 Yang et al.
 2013/0105486 A1 5/2013 Mashburn et al.
 2014/0238989 A1 8/2014 Wang et al.

OTHER PUBLICATIONS

Simple Human, announced 2020 [online], [site visited Nov. 2, 2022]. Avail from int, URL: <https://www.lowes.com/pd/simplehuman-40-Liter-Slim-Kitchen-Step-Trash-Can-with-Liner-Rim-Black-Plastic/5005382127?user=shopping> (Year: 2020).*

Northwest, announced 2022 [online], [site visited Nov. 2, 2022]. Avail from int, URL: <https://www.northwestohioliquidations.com/451-slim-step-trash-can-brightroom/?setCurrencyId=1> (Year: 2022).*

Sterilite, announced Mar. 2022 [online], [site visited Nov. 2, 2022]. Avail from int, URL: https://www.amazon.com/Sterilite-Bathroom-Wholesalehome-Microfiber-Cleaning/dp/B09W4H5NY3/ref=sr_1_16 (Year: 2022).*

Bino, announced 2015 [online], [site visited Nov. 2, 2022]. Avail from int, URL: https://www.amazon.com/BINO-Stainless-Steel-Gallon-Rectangle/dp/B00WEW520K/ref=sr_1_29 (Year: 2015).*

Belson Outdoors “Durable Two-Piece Fiberglass Trash Receptacle”, <http://www.belson.com/Open-Top-Lift-Off-20-Gallon-Round-Fiberglass-Trash-Can>. Jun. 6, 2017. shown in p. 1, Model FG1829 TPL.

Amazon “Simplehuman Bullet Open Trash Can”, https://www.amazon.com/simplehuman-Bullet-Trash-Commercial-Stainless/dp/B000BHUHP0/ref=cm_cr_ar_p_d_product_top?ie=UTF8. Apr. 17, 2008. shown in p. 1, Model No. CW1407.

Target: “Sensor bin (751)”, https://www.target.com/s/sensor%20bin?ref=tgtadvXS000000&AFID=msn&CPNG=Storage%2BOrganization_Bins&adgroup=Bin+Sensor&LID=700000001177161p8648795059&LNM=sensoi:+bin&MT=e&network=s&device=c&q_uerystring=sensor+bins&frydsrc=tgtao&msclkiid=82d5acc2fal fld130feef.

Amazon: “Trash bin sensor”, <https://www.amazon.com/trash-bin-sensor/s?k=trash+bin+sensor>.

* cited by examiner

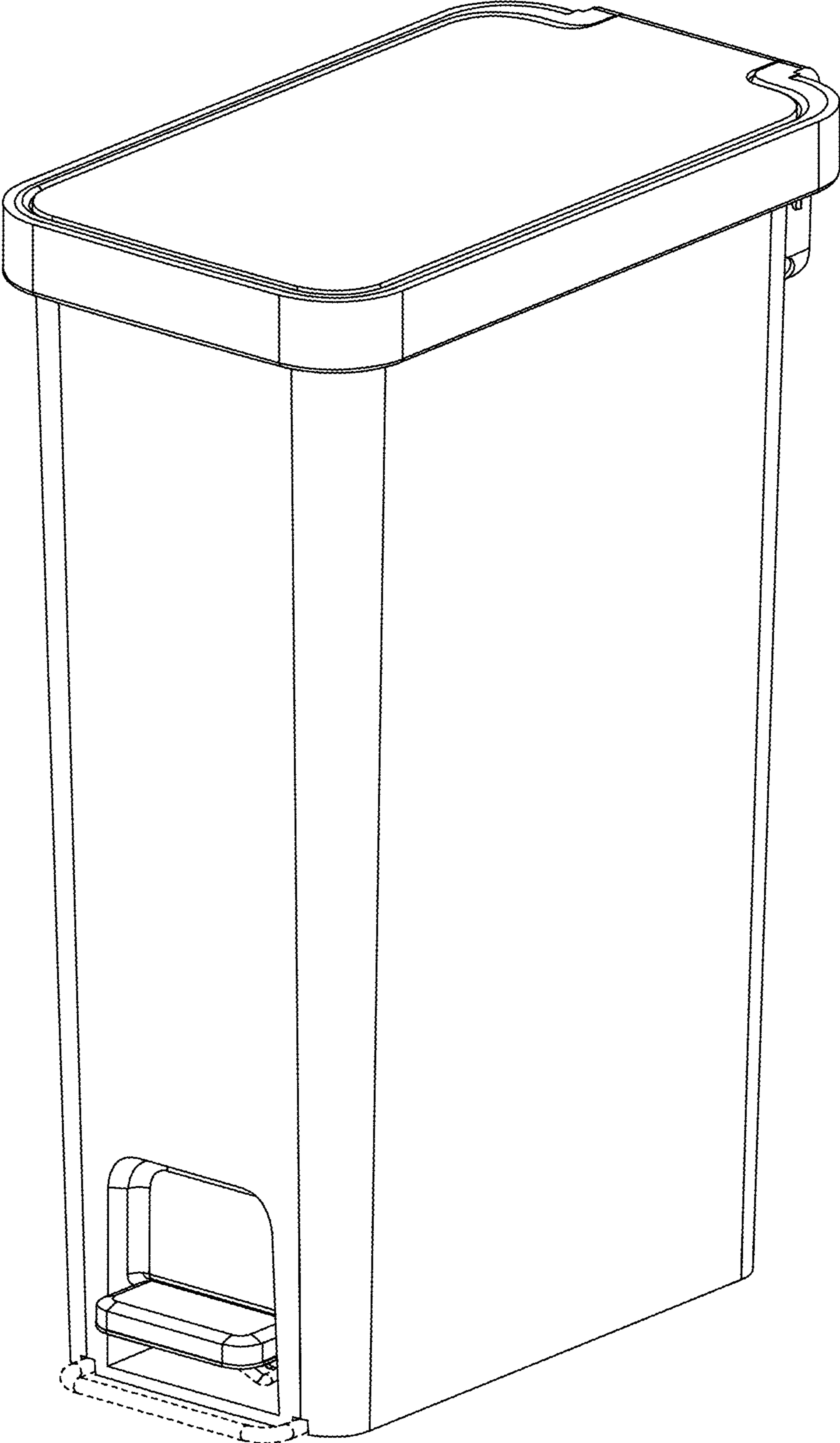


FIG. 1

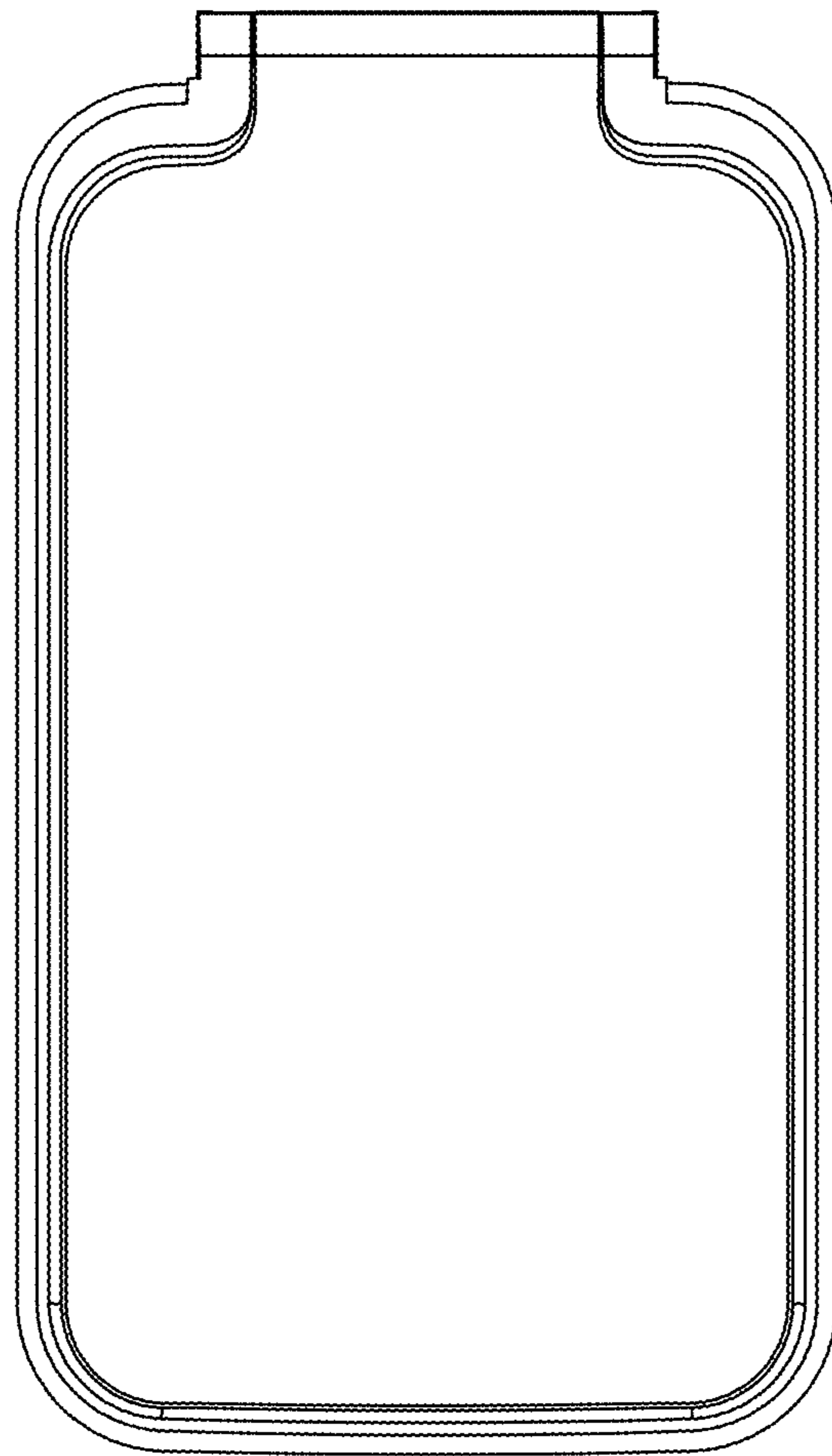


FIG. 2

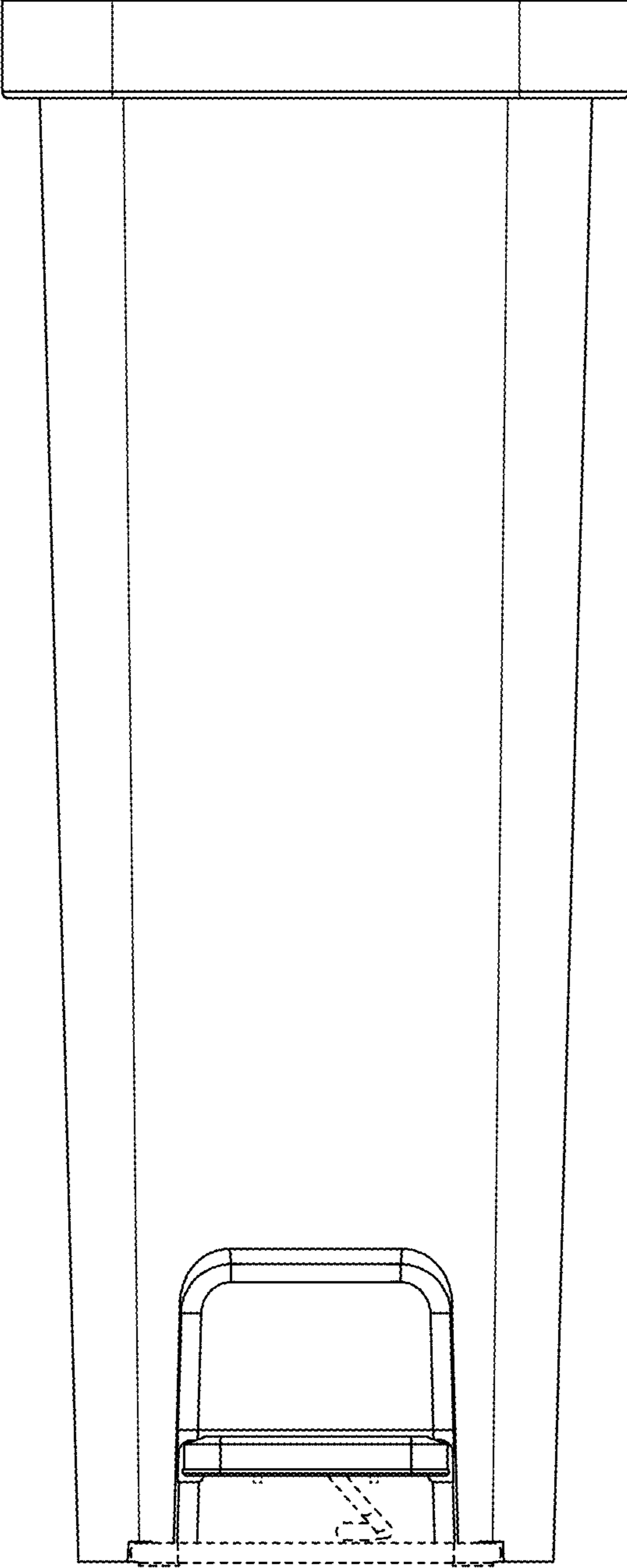


FIG. 3

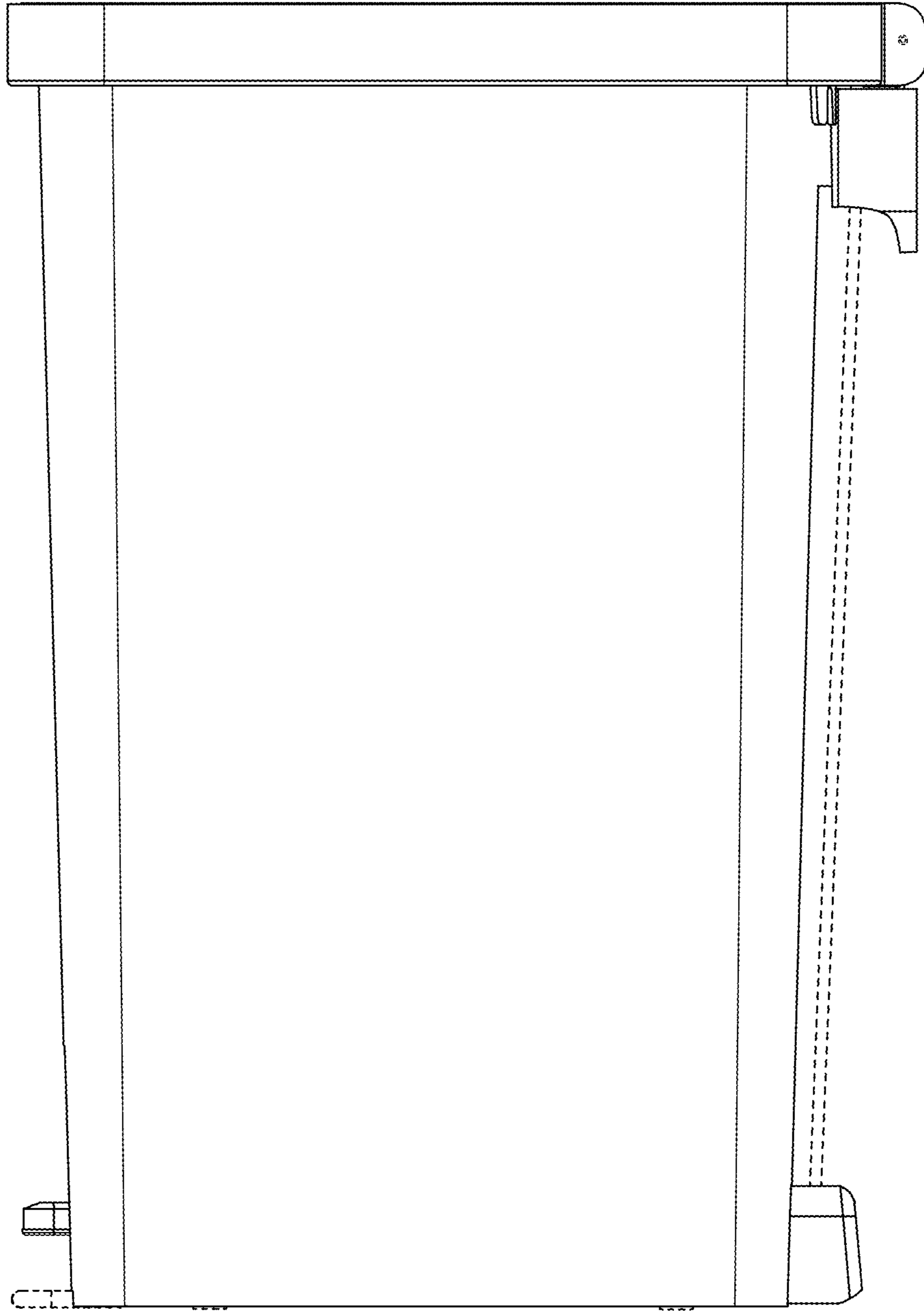


FIG. 4

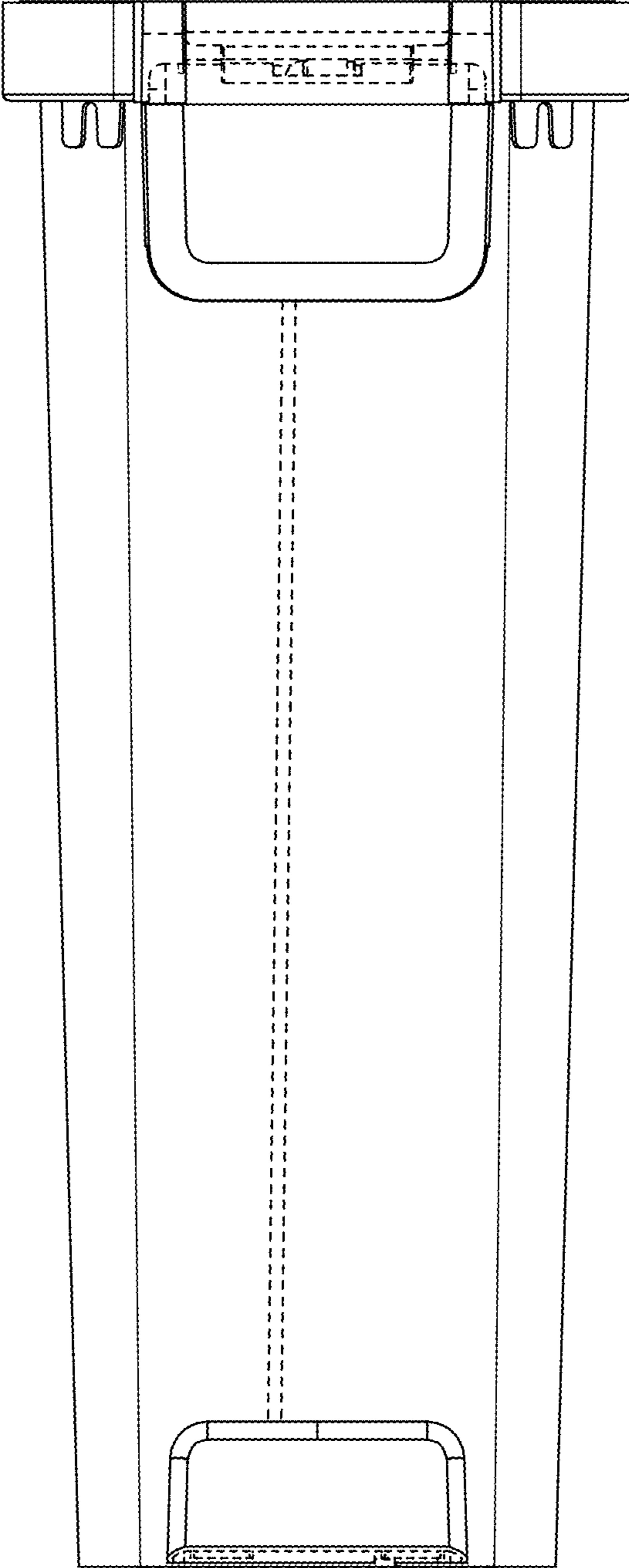


FIG. 5

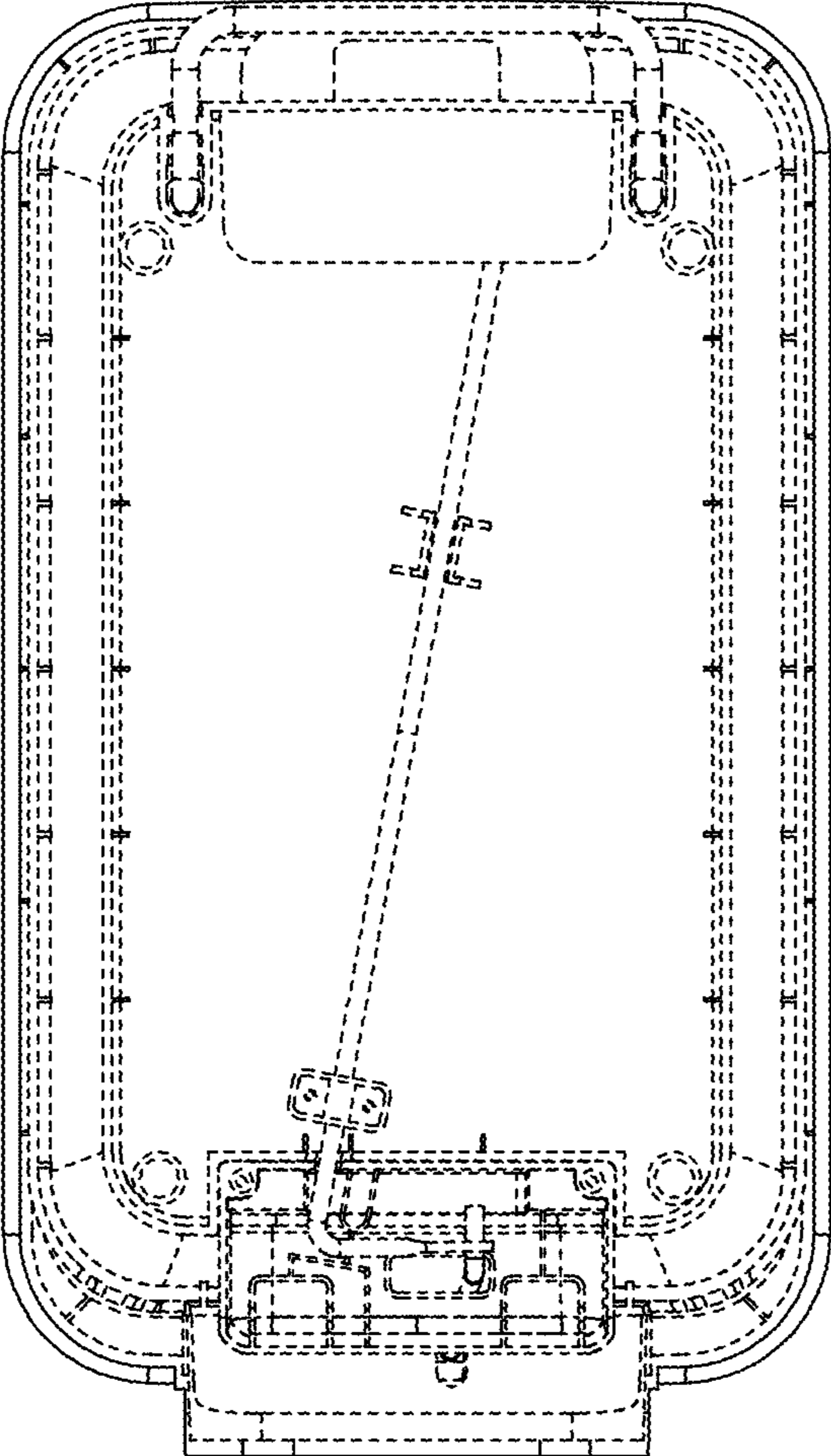


FIG. 6

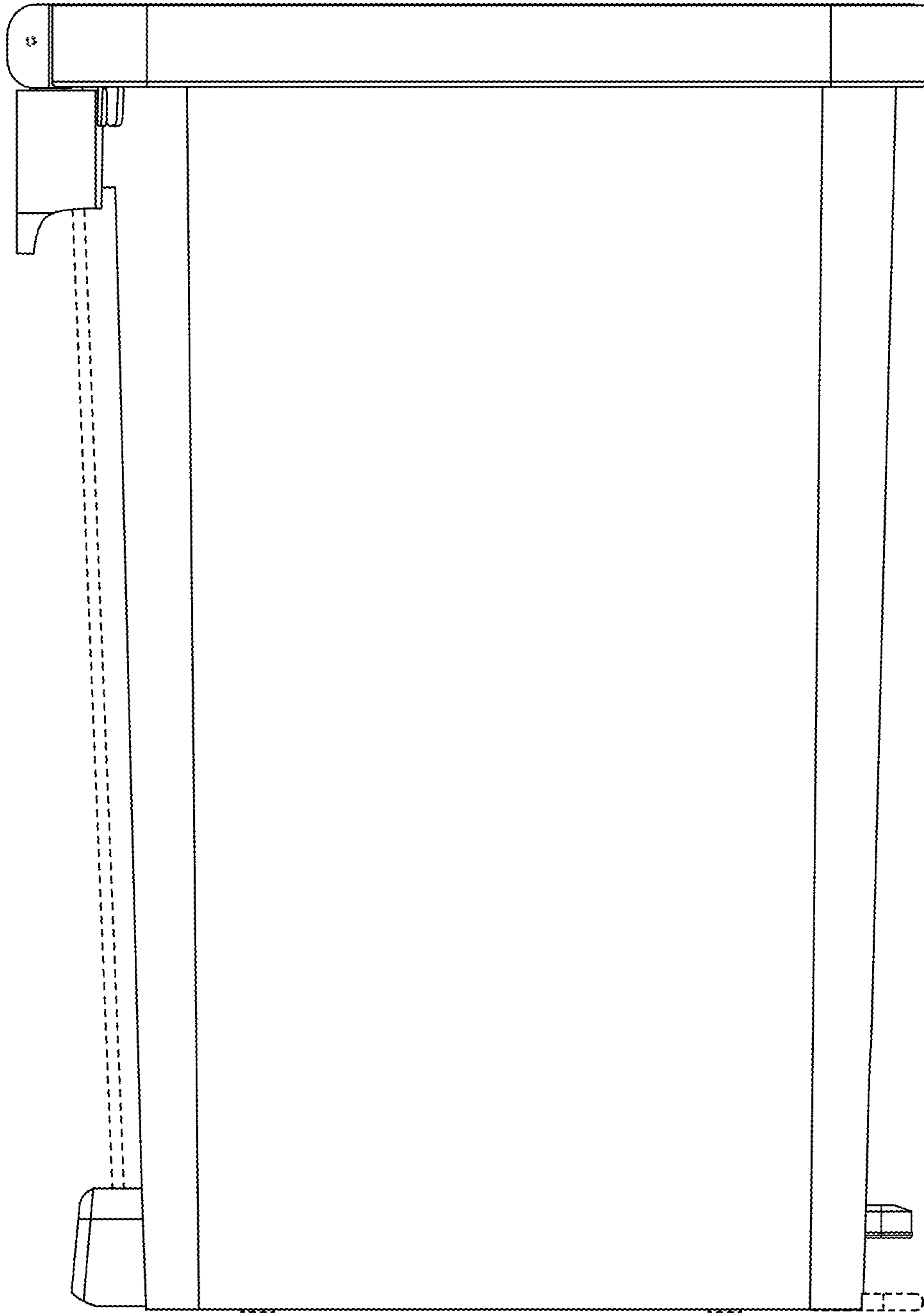


FIG. 7