



US00D979874S

(12) **United States Design Patent** (10) **Patent No.:** **US D979,874 S**
Chen (45) **Date of Patent:** **** Feb. 28, 2023**

(54) **OPEN TOP TRASH CAN**
(71) Applicant: **EKO DEVELOPMENT LTD.,**
Guangzhou (CN)
(72) Inventor: **Yizhi Chen,** Guangzhou (CN)
(73) Assignee: **EKO Development Ltd.,** Guangzhou
(CN)

D538,000 S 3/2007 Lin
D540,501 S 4/2007 Wang
D543,673 S 5/2007 Yang et al.
D544,671 S 6/2007 Saunders et al.
D547,917 S 7/2007 Yang et al.
D555,318 S 11/2007 Lin
D555,320 S 11/2007 Yang et al.
D561,969 S 2/2008 Lin
D561,971 S 2/2008 Lin

(Continued)

(**) Term: **15 Years**

OTHER PUBLICATIONS

(21) Appl. No.: **29/797,609**

Rubbermaid, announced 2022 [online], [site visited Nov. 29, 2022]. Avail from int, URL: <https://www.zoro.com/rubbermaid-commercial-products-15-gal-rectangular-trash-can-2147581/i/G902664420/> (Year: 2022).*

(22) Filed: **Jul. 1, 2021**

(51) **LOC (14) Cl.** **23-99**

(52) **U.S. Cl.**
USPC **D34/1**

(58) **Field of Classification Search**
USPC D34/1, 1.1, 5, 6, 7, 8, 9, 10, 11
CPC B65F 1/00; B65F 1/163; B65F 1/1638;
B65F 2001/1489; Y10S 220/908
See application file for complete search history.

(Continued)

Primary Examiner — Cynthia Ramirez
Assistant Examiner — Tamara L Hahn
(74) *Attorney, Agent, or Firm* — William H. Dippert;
Laurence A. Greenberg; Werner H. Stemer

(56) **References Cited**

(57) **CLAIM**

U.S. PATENT DOCUMENTS

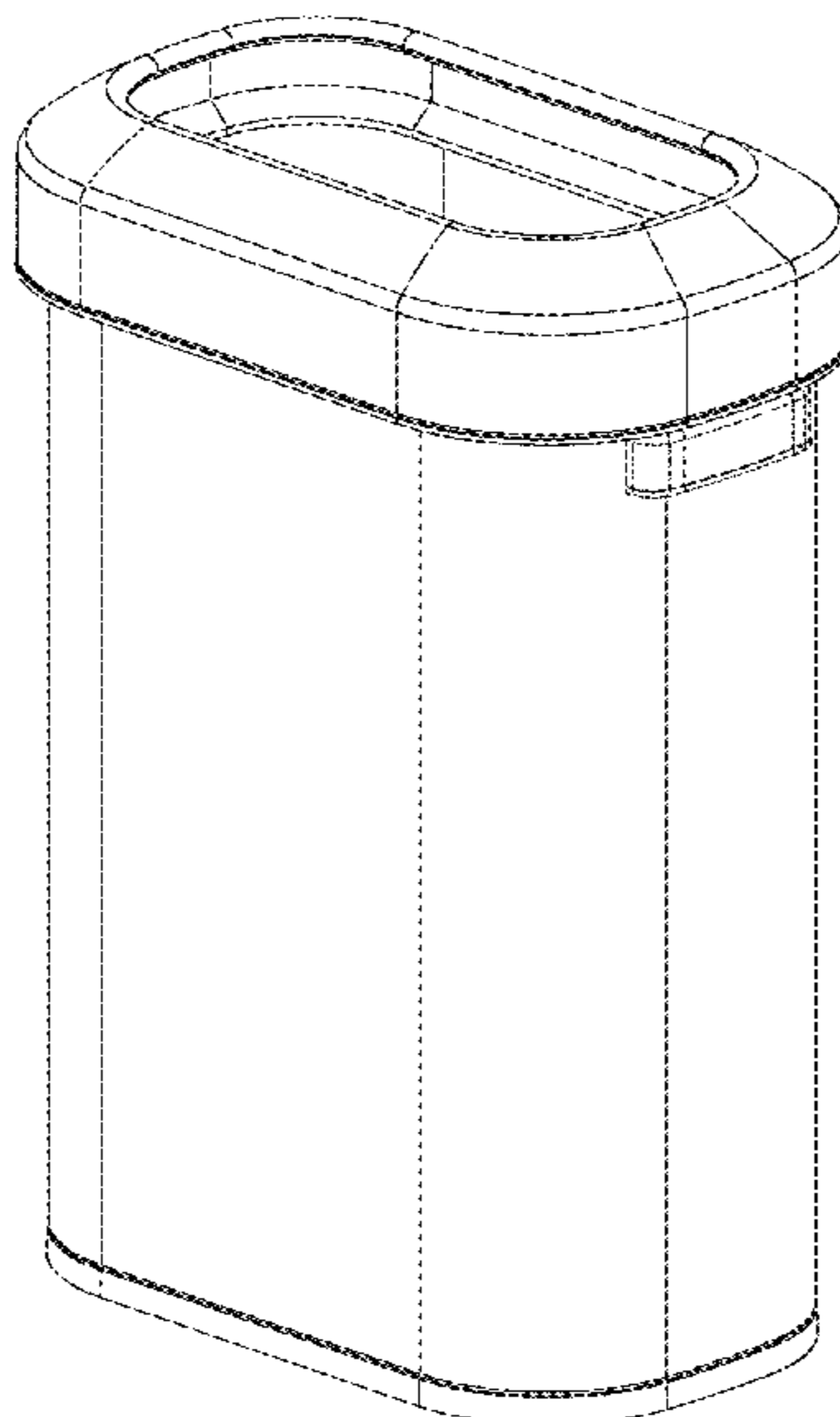
The ornamental design for an open top trash can, as shown and described.

- D215,617 S 10/1969 Heck
- D250,744 S 1/1979 Morin
- D333,542 S 2/1993 McKenzie
- D342,817 S 12/1993 Lippisch et al.
- 5,531,348 A 7/1996 Baker et al.
- D380,613 S 7/1997 Apps et al.
- D437,384 S 2/2001 Flectcher et al.
- D472,688 S 4/2003 Lin
- D488,903 S 4/2004 Yang et al.
- D513,103 S 12/2005 Lin
- 6,981,606 B2 1/2006 Yang et al.
- D517,767 S 3/2006 Yang et al.
- D533,703 S 12/2006 Lin
- D535,800 S 1/2007 Yang et al.
- D537,223 S 2/2007 Lin
- D537,599 S 2/2007 Lin
- D537,601 S 2/2007 Lin

DESCRIPTION

FIG. 1 is a perspective view of an open top trash can, showing my new design.
FIG. 2 is a top plan view thereof.
FIG. 3 is a front elevation view thereof.
FIG. 4 is a left-side elevation view thereof.
FIG. 5 is a rear elevation view thereof.
FIG. 6 is a bottom plan view thereof; and,
FIG. 7 is a right-side elevation view thereof.
The broken lines in the drawings represent portions of the open top trash can that form no part of the claimed design.

1 Claim, 7 Drawing Sheets



(56)

References Cited

U.S. PATENT DOCUMENTS

D566,367 S 4/2008 Lin
 D566,923 S 4/2008 Lin
 D567,468 S 4/2008 Yang et al.
 D568,570 S 5/2008 Lin
 D568,571 S 5/2008 Lin
 D572,423 S 7/2008 Lin
 D580,120 S 11/2008 Lin
 D580,613 S 11/2008 Yang et al.
 D580,615 S 11/2008 Yang et al.
 D591,471 S 4/2009 Lee
 D593,271 S 5/2009 Yang et al.
 D593,796 S 6/2009 Kevan
 D595,917 S 7/2009 Liao
 7,559,433 B2 7/2009 Yang et al.
 D620,667 S 7/2010 Liao
 D620,668 S 7/2010 Liao
 D623,817 S * 9/2010 Yang D34/7
 D631,221 S 1/2011 Yang et al.
 D634,911 S 3/2011 Yang et al.
 D644,806 S * 9/2011 Yang D34/1
 D644,807 S * 9/2011 Yang D34/1
 8,074,824 B1 12/2011 Roby-Wilson
 8,074,833 B2 12/2011 Yang et al.
 D655,061 S 2/2012 Scaturro
 D675,803 S 2/2013 Yang et al.
 D709,662 S 7/2014 Yang et al.
 D727,583 S 4/2015 Yang et al.
 D730,007 S 5/2015 Machen
 D734,912 S 7/2015 Ho et al.
 D739,109 S 9/2015 Becham et al.
 D743,138 S 11/2015 Sun Ting Kung et al.
 D762,037 S 7/2016 Chen
 D765,937 S 9/2016 Chen
 D769,564 S 10/2016 Chen
 D773,769 S 12/2016 Chen
 D787,828 S 5/2017 Thoma et al.
 D790,145 S 6/2017 Chen
 D793,022 S 7/2017 Liao
 D796,766 S 9/2017 Chen
 D796,767 S 9/2017 Chen
 D800,405 S * 10/2017 Slaughenhaupt D34/1
 D804,133 S 11/2017 Yang et al.
 D809,729 S 2/2018 Chen
 D813,485 S 3/2018 Liao
 D825,876 S * 8/2018 Chen D34/1
 D827,968 S 9/2018 Chen
 D829,400 S 9/2018 Yang et al.
 D830,659 S 10/2018 Greenspon et al.

D831,289 S 10/2018 Greenspon et al.
 D835,374 S 12/2018 Yang et al.
 D836,278 S 12/2018 Berberet et al.
 D837,473 S 1/2019 Magnuson et al.
 D841,275 S 2/2019 Chen
 D842,573 S 3/2019 Smeets
 D845,576 S 4/2019 Lu
 D851,350 S 6/2019 Lu
 D853,064 S 7/2019 Chen
 D853,066 S 7/2019 Liao
 D853,067 S 7/2019 Chen
 D853,068 S 7/2019 Chen
 D855,919 S 8/2019 Yang et al.
 D860,570 S 9/2019 Chen
 D871,012 S 12/2019 Chen
 D945,732 S * 3/2022 Holzmann D34/1
 2003/0201267 A1 10/2003 Yang et al.
 2005/0230397 A1 10/2005 Yang et al.
 2007/0090112 A1 4/2007 Kalman et al.
 2007/0205195 A1 9/2007 Yang et al.
 2008/0006638 A1 1/2008 Yang et al.
 2009/0314779 A1 12/2009 Lee
 2011/0017735 A1 1/2011 Wang et al.
 2011/0049149 A1 3/2011 Shih
 2011/0139781 A1 6/2011 Jin et al.
 2011/0220648 A1 9/2011 Yang et al.
 2013/0098913 A1 4/2013 Yang et al.
 2013/0105486 A1 5/2013 Mashburn et al.
 2014/0238989 A1 8/2014 Wang et al.

OTHER PUBLICATIONS

Simple Human, announced 2022 [online], [site visited Nov. 29, 2022]. Avail from int, URL: <https://www.uline.com/Product/Detail/H-3621/Metal-Indoor-Trash-Cans/simplehuman-Open-Top-Stainless-Steel-Trash-Can-13-Gallon> (Year: 2022).*

Alpine, announced Dec. 2019 [online], [site visited Nov. 29, 2022]. Avail from int, URL: https://www.amazon.com/Alpine-Industries-Stainless-Steel-Trash/dp/B082BJL55L/ref=sr_1_14 (Year: 2019).*

Target: "Sensor bin (751)", https://www.target.com/s/sensor%20bin?ref=tgtadvXS000000&AFID=msn&CPNG=Storage%2BOrganization_Bins&adgroup=Bin_Sensor&LID=700000001177161p8648795059&LNM=sensi:+bin&MT=e&network=s&device=c&q=ueyrstri ng=sensor+bins&fydrsrc=tgtao&mscl k i d=82d5acc2fal fld130feef.

Amazon: "Trash bin sensor", <https://www.amazon.com/trash-bin-sensor/s?k=trash+bin+sensor>.

* cited by examiner

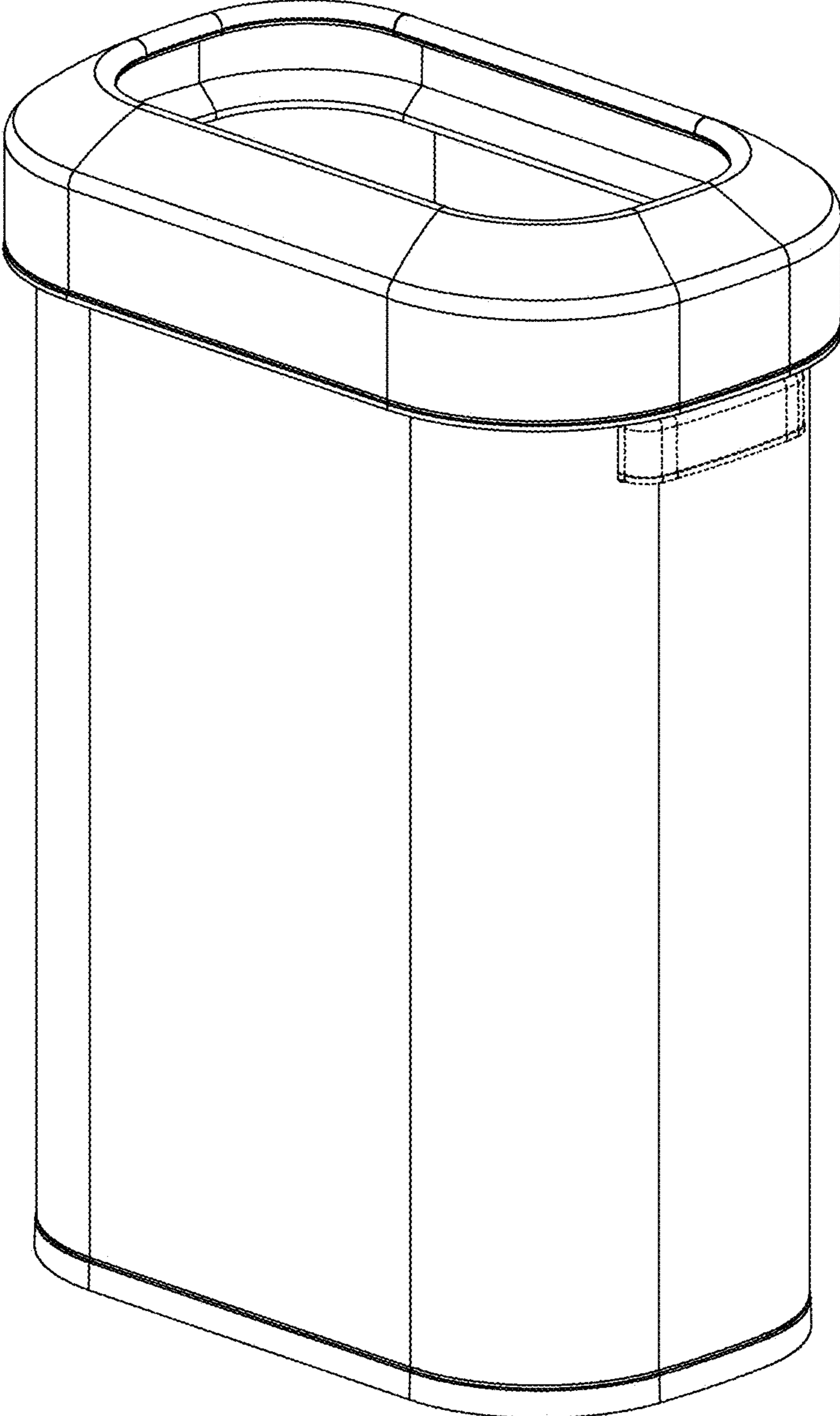


FIG.1

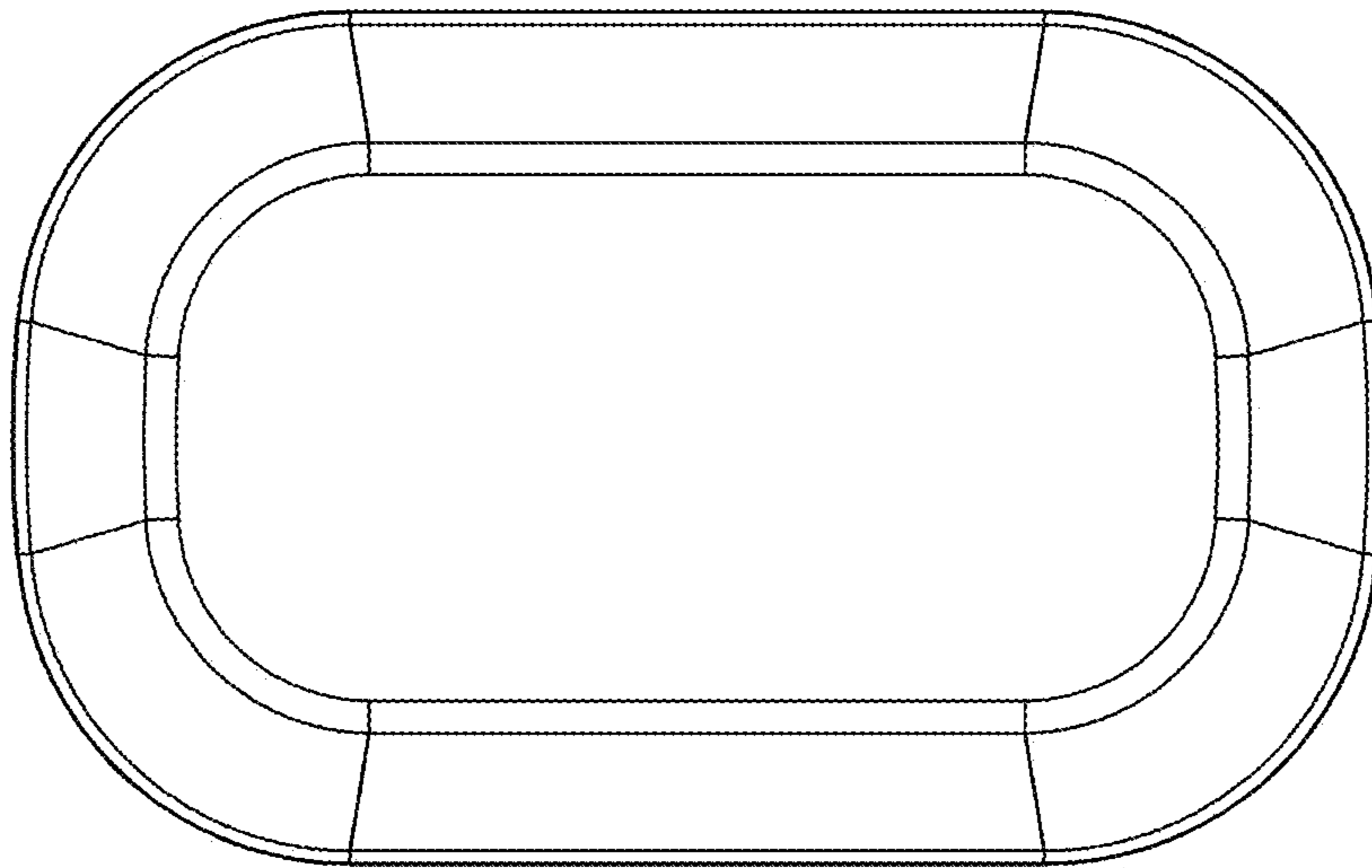


FIG.2

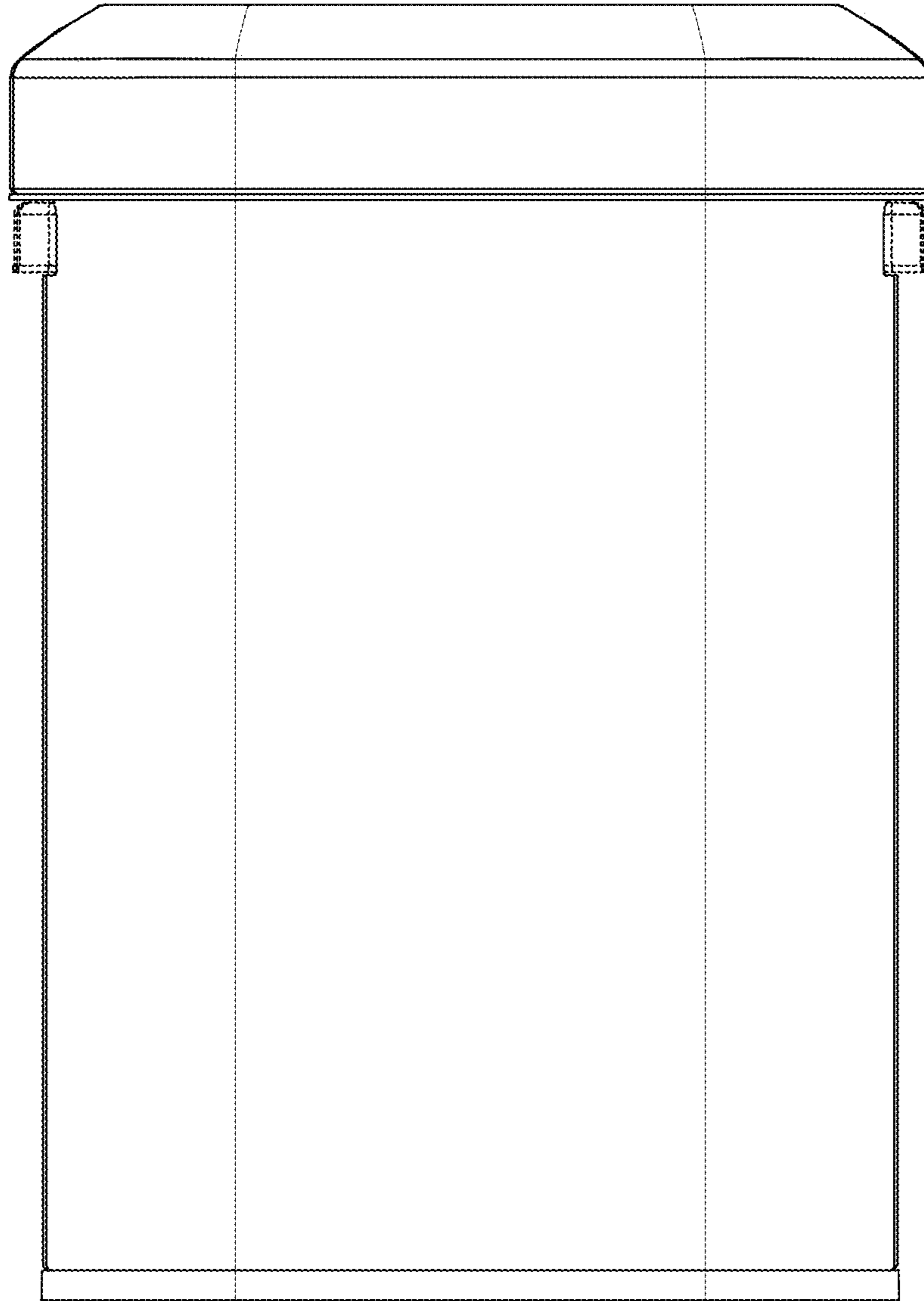


FIG. 3

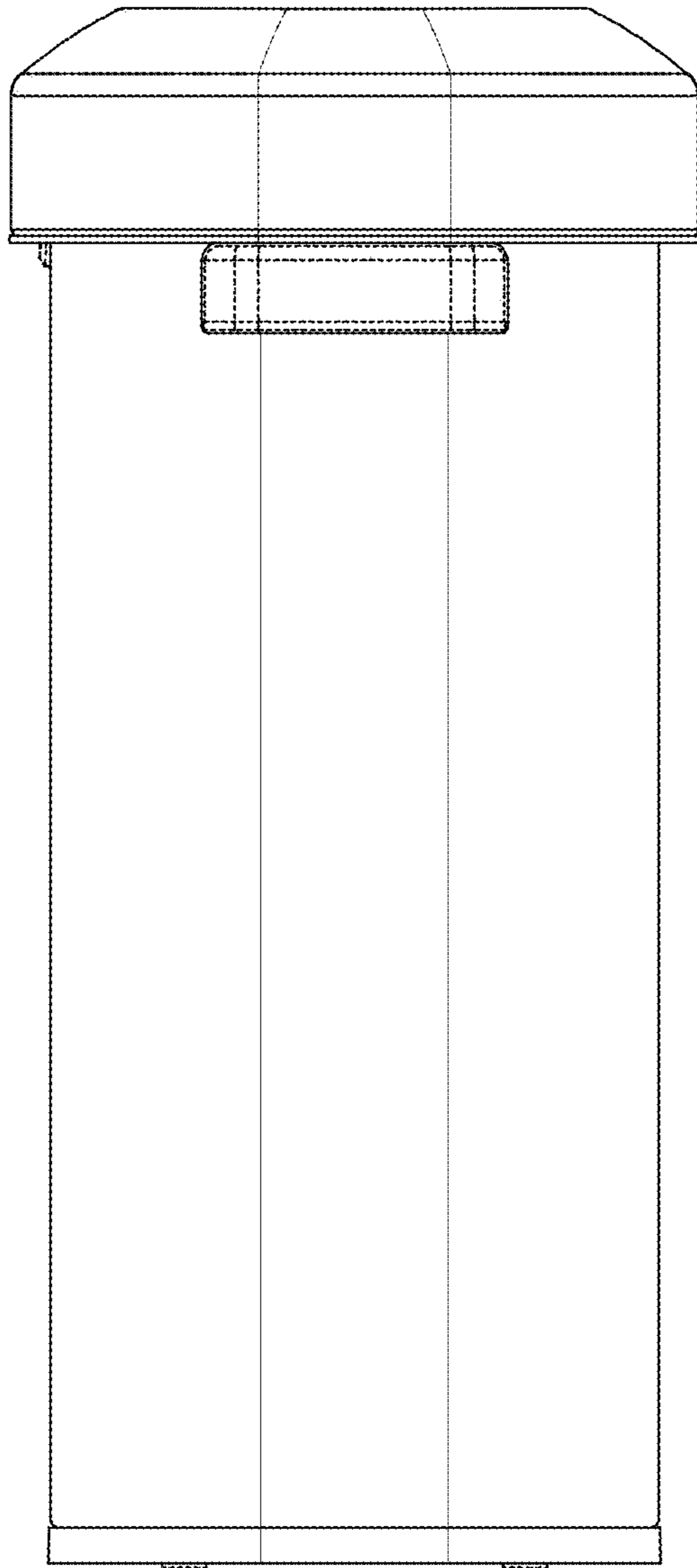


FIG. 4

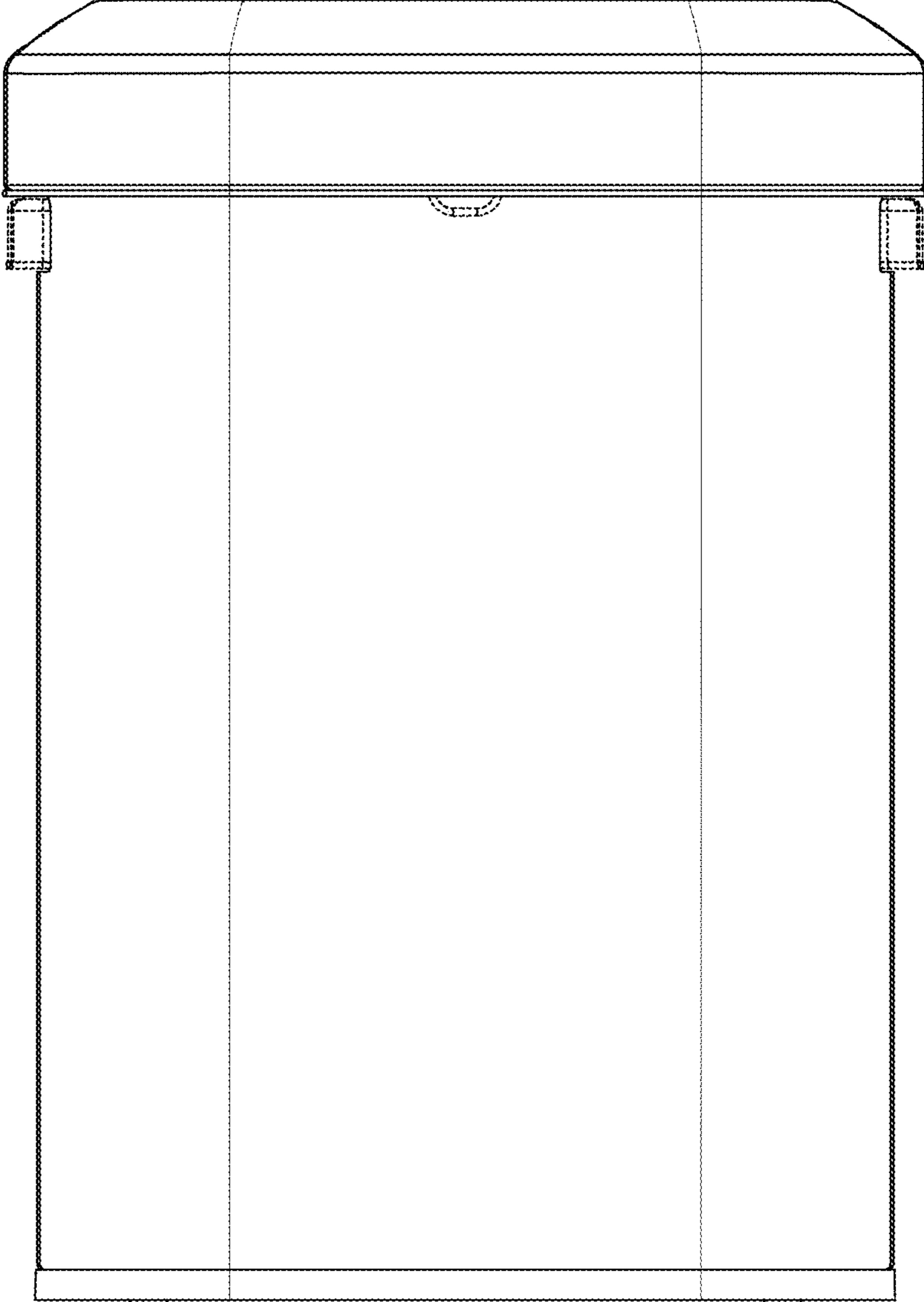


FIG.5

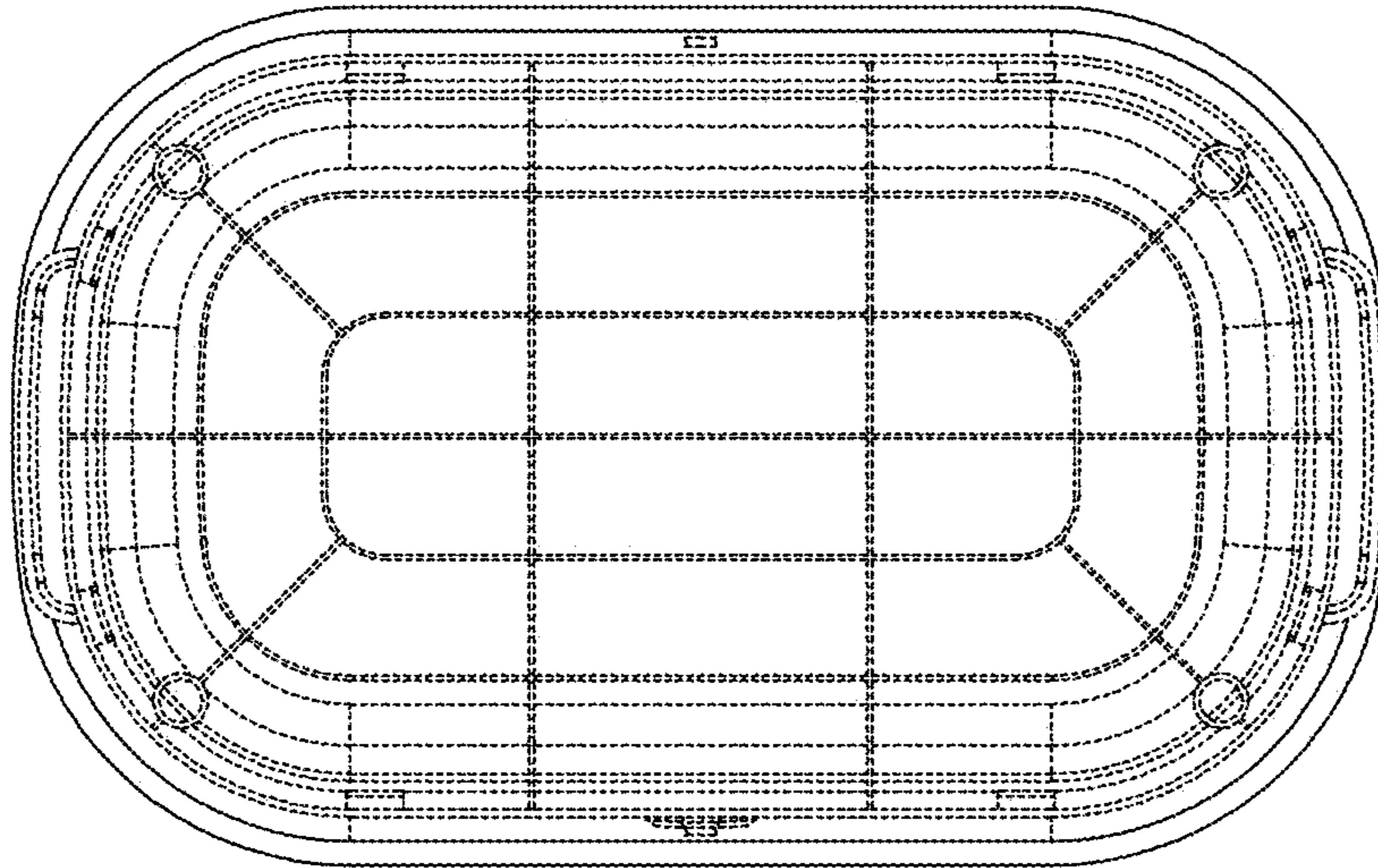


FIG.6

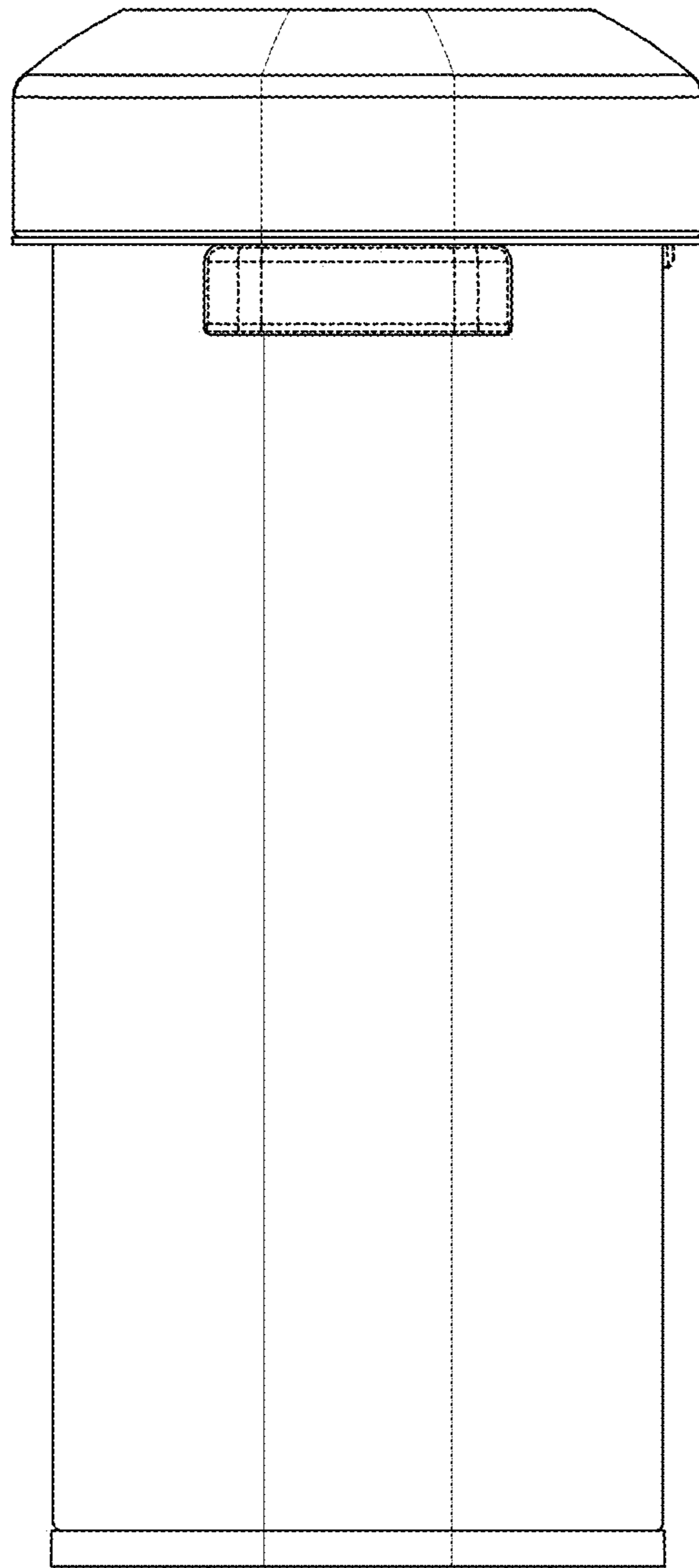


FIG.7