



US00D979873S

(12) **United States Design Patent** (10) **Patent No.:** **US D979,873 S**
Patel (45) **Date of Patent:** **** Feb. 28, 2023**

(54) **CLEANING DEVICE COMPONENT**
(71) Applicant: **Uproot Lint LLC**, Miami, FL (US)
(72) Inventor: **Mehul Patel**, Miami, FL (US)
(73) Assignee: **Uproot Lint LLC**, Miami, FL (US)
(**) Term: **15 Years**
(21) Appl. No.: **29/854,480**
(22) Filed: **Sep. 26, 2022**
(51) **LOC (14) Cl.** **07-05**
(52) **U.S. Cl.**
USPC **D32/46; D4/118**
(58) **Field of Classification Search**
USPC D32/15–25, 30–34, 40, 46, 48, 49, 51,
D32/52; D4/118, 137; D28/44, 50
CPC B26B 19/14; B26B 19/48; A47L 25/08;
A46B 2200/3053
See application file for complete search history.

(56) **References Cited**

U.S. PATENT DOCUMENTS

D443,344 S	*	6/2001	Evans	D23/266
D500,644 S	*	1/2005	Cavanaugh	D7/696
D531,708 S	*	11/2006	Wagner	D23/266
D611,576 S	*	3/2010	Tokuno	D23/266
D670,057 S	*	10/2012	DiMauro	D32/46
D743,132 S	*	11/2015	Kim	D32/31
D743,657 S	*	11/2015	Kim	D32/31
D753,358 S	*	4/2016	Kim	D32/31
D889,851 S		7/2020	Lei		
D898,302 S	*	10/2020	Zhang	D30/159
D910,246 S	*	2/2021	Zhang	D30/158
D962,561 S	*	8/2022	Zhu	D30/159
D968,045 S	*	10/2022	Chen	D4/118
D971,615 S	*	12/2022	Wang	D4/118

OTHER PUBLICATIONS

Lillie' Reviews, Eco friendly Portable Lint Remover reviews / How to use Lint Remover ?, Dec. 6, 2019, <https://www.youtube.com/watch?v=7R29jse4zAA>.

(Continued)

Primary Examiner — Kimberly Barnes
(74) *Attorney, Agent, or Firm* — John H. Choi & Associates

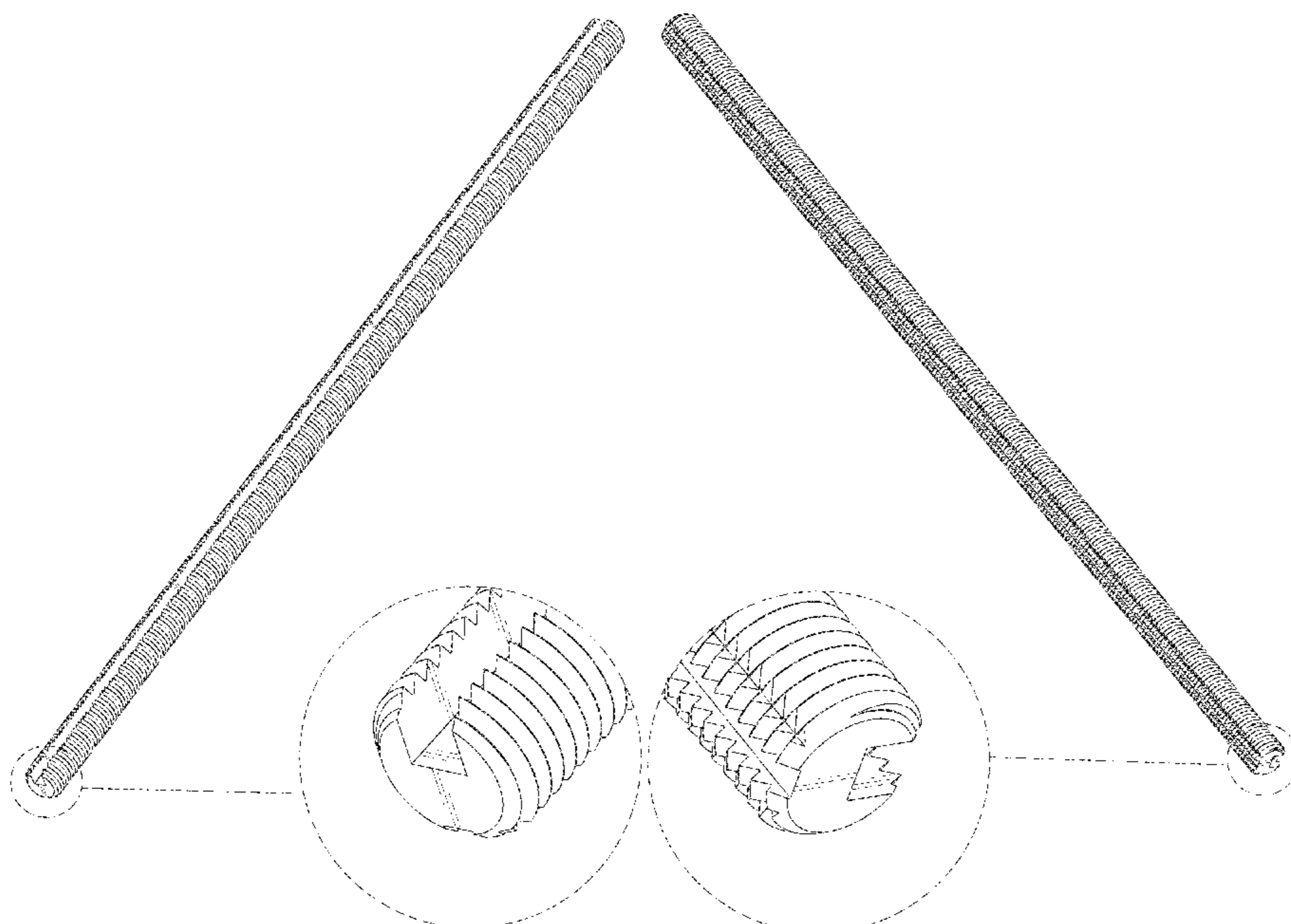
(57) **CLAIM**

The ornamental design for a cleaning device component, as shown and described.

DESCRIPTION

FIG. 1 is a top perspective view of a cleaning device component showing my new design, with a close-up view of a first end of the cleaning device component, for which an opposing second end thereof being a mirror image of the first end and for which the teeth members shown extend uniformly along the entire length of the cleaning device component;
FIG. 2 is a bottom perspective view of the cleaning device component of FIG. 1, with a close-up view of the first end of the cleaning device component, for which the opposing second end thereof being a mirror image of the first end and for which the teeth members shown extend uniformly along the entire length of the cleaning device component;
FIG. 3 is a top plan view of the cleaning device component of FIG. 1;
FIG. 4 is a bottom plan view of the cleaning device component of FIG. 1;
FIG. 5 is a front view of the cleaning device component of FIG. 1, with the rear view being a mirror image of the front view; and,
FIG. 6 is an enlarged right side view of the cleaning device component of FIG. 1, with the left side view being a mirror image of the right side view.

1 Claim, 6 Drawing Sheets



(56)

References Cited

OTHER PUBLICATIONS

Shri Gloria, Portable Lint Remover Review / Does is really work ?, Jan. 1, 2020, <https://www.youtube.com/watch?v=8HScypi2J-w>.

Commonlee, Portable Lint Remover Review 2020—Does It Work?, Dec. 5, 2019, <https://www.youtube.com/watch?v=wY2nZ45LgqY&t=4s>.

Seniorgg Tool, Portable Lint Remover, Oct. 16, 2019, <https://www.facebook.com/364456337730063/posts/501314810710881>.

Kidsman House, Portable Lint Remover, Oct. 16, 2019, <https://www.facebook.com/2127638837272667/posts/2435470573156157>.

Zemmo.Shop, Portable Lint Remover, Oct. 22, 2019, <https://www.facebook.com/627886544376478/posts/709556886209443>.

Mohaul Shop, Portable Lint Remover Clothes Fuzz Shaver restores your clothes and fabrics to a fresh new look!, Oct. 17, 2019, <https://www.facebook.com/304196193832101/posts/408855190032867>.

* cited by examiner

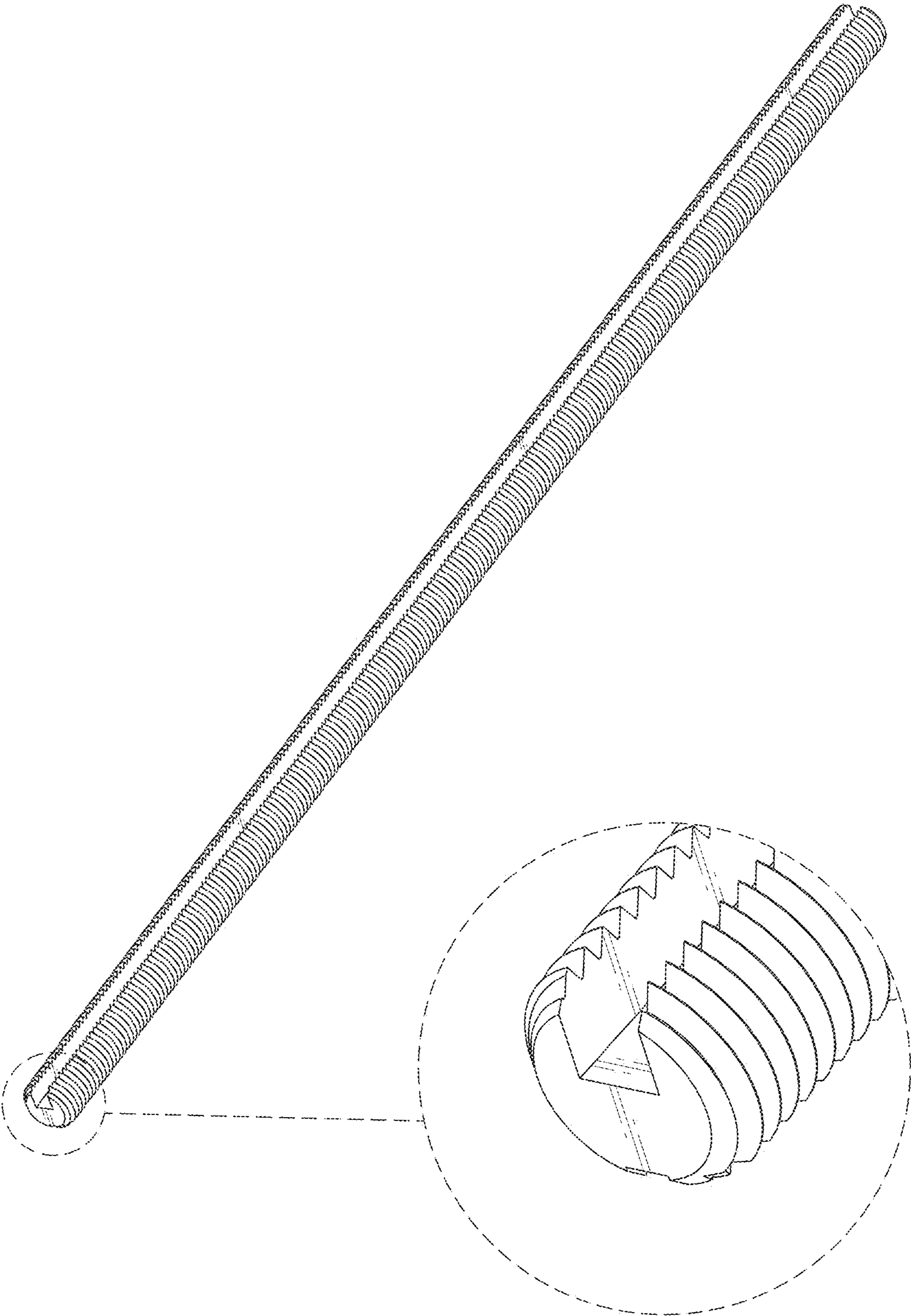


FIG. 1

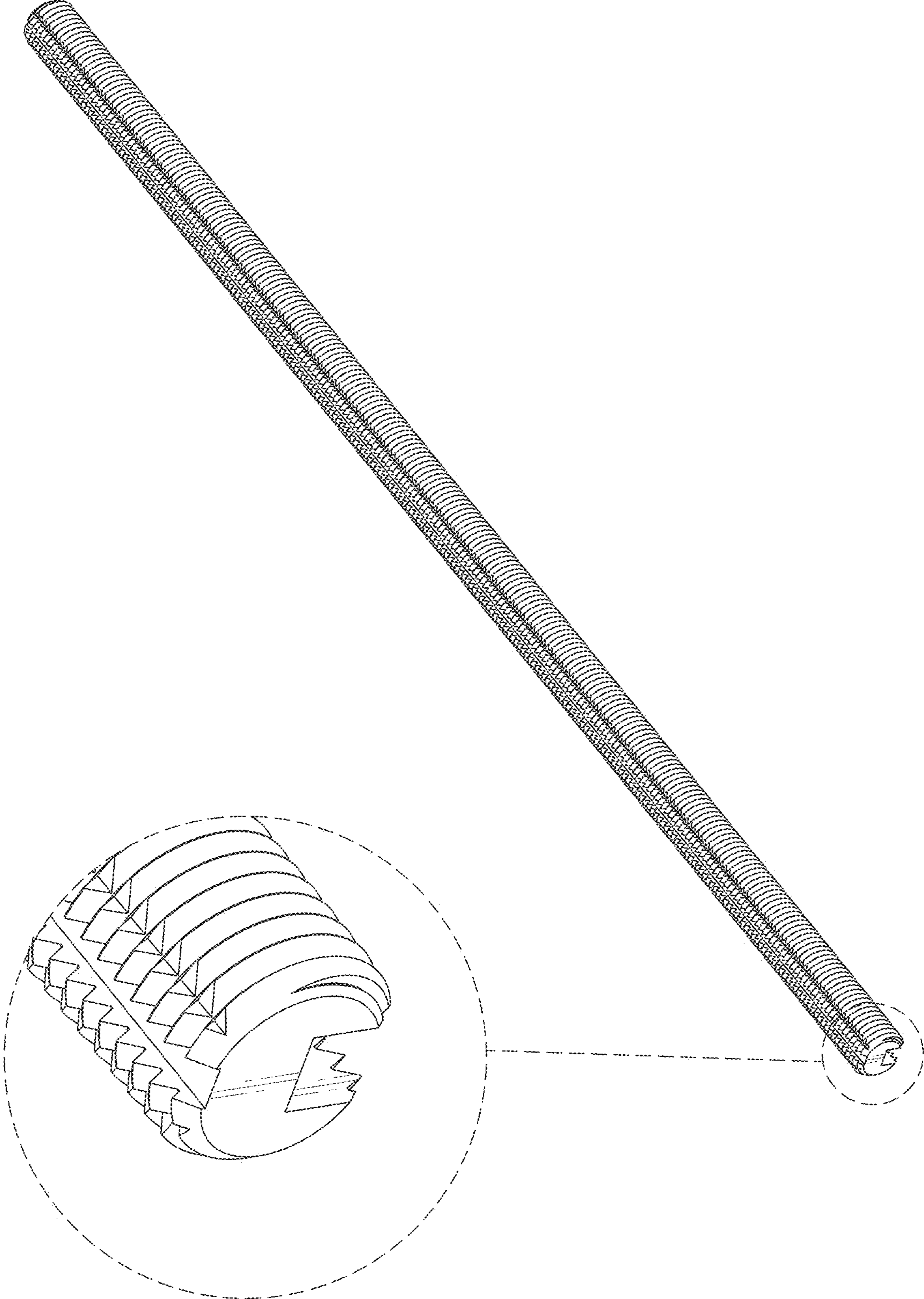


FIG. 2

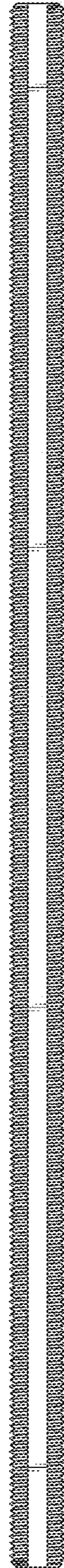


FIG. 3



FIG. 4



FIG. 5

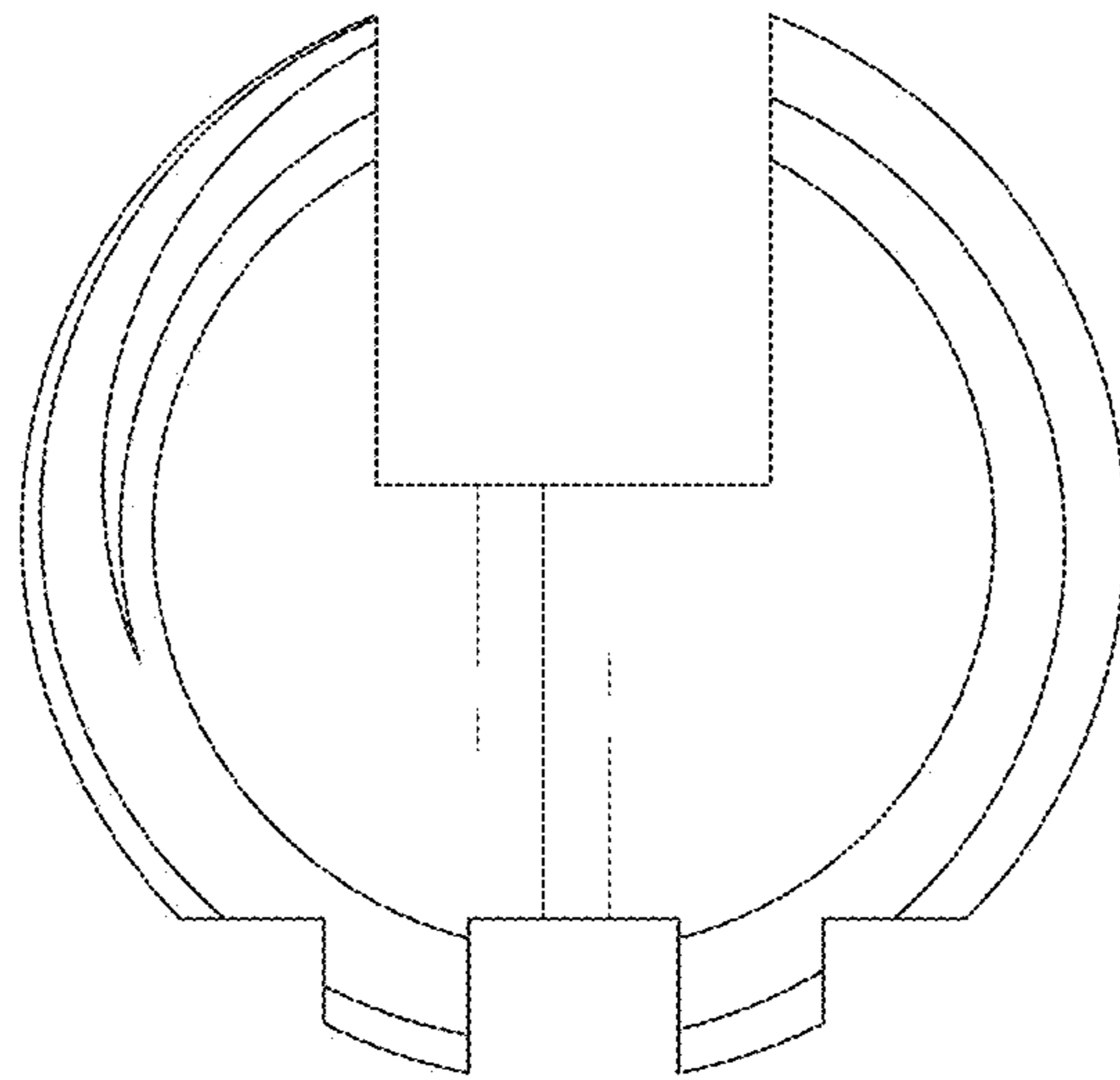


FIG. 6