



US00D979872S

(12) **United States Design Patent**  
**Lovell**

(10) **Patent No.:** **US D979,872 S**  
(45) **Date of Patent:** **\*\* Feb. 28, 2023**

- (54) **BASEBALL BAT BARBEQUE SCRAPER**
- (71) Applicant: **Charles C. Lovell**, Huntingdon Valley, PA (US)
- (72) Inventor: **Charles C. Lovell**, Huntingdon Valley, PA (US)
- (\*\*) Term: **15 Years**
- (21) Appl. No.: **29/767,649**
- (22) Filed: **Jan. 25, 2021**
- (51) **LOC (14) Cl.** ..... **07-05**
- (52) **U.S. Cl.**  
USPC ..... **D32/43; D4/124**
- (58) **Field of Classification Search**  
USPC ..... **D32/40-42, 46-49, 43; D4/116, 118, D4/124**  
CPC .. **A47L 1/16; A47L 13/46; A47L 13/06; A47J 43/288**  
See application file for complete search history.

- 2005/0011029 A1\* 1/2005 Yu ..... A47L 13/12 15/236.08
- 2006/0207042 A1\* 9/2006 Di Paolo ..... A47L 13/34 15/160
- 2006/0251465 A1\* 11/2006 Savoia, Sr. .... A47L 1/16 401/265

(Continued)

**OTHER PUBLICATIONS**

[https://www.thegrommet.com/products/personalized-brushback-scraper?pmodal=3&gclid=CjwKCAjwx46TBhBhEiwArA\\_DjNth2aELJEOCcGoLtJ3kBKk6xYo05PiWvBotKh\\_VbDvUIYGjoIVO8xoCoyoQAvD\\_BwE](https://www.thegrommet.com/products/personalized-brushback-scraper?pmodal=3&gclid=CjwKCAjwx46TBhBhEiwArA_DjNth2aELJEOCcGoLtJ3kBKk6xYo05PiWvBotKh_VbDvUIYGjoIVO8xoCoyoQAvD_BwE), Grommet website w tineye image date 2022, site visited Apr. 23, 2022.\*

*Primary Examiner* — John R Yeh  
(74) *Attorney, Agent, or Firm* — Andrew L. Salvatore, Esquire

(57) **CLAIM**

The ornamental design for a baseball bat barbeque scraper, as shown.

**DESCRIPTION**

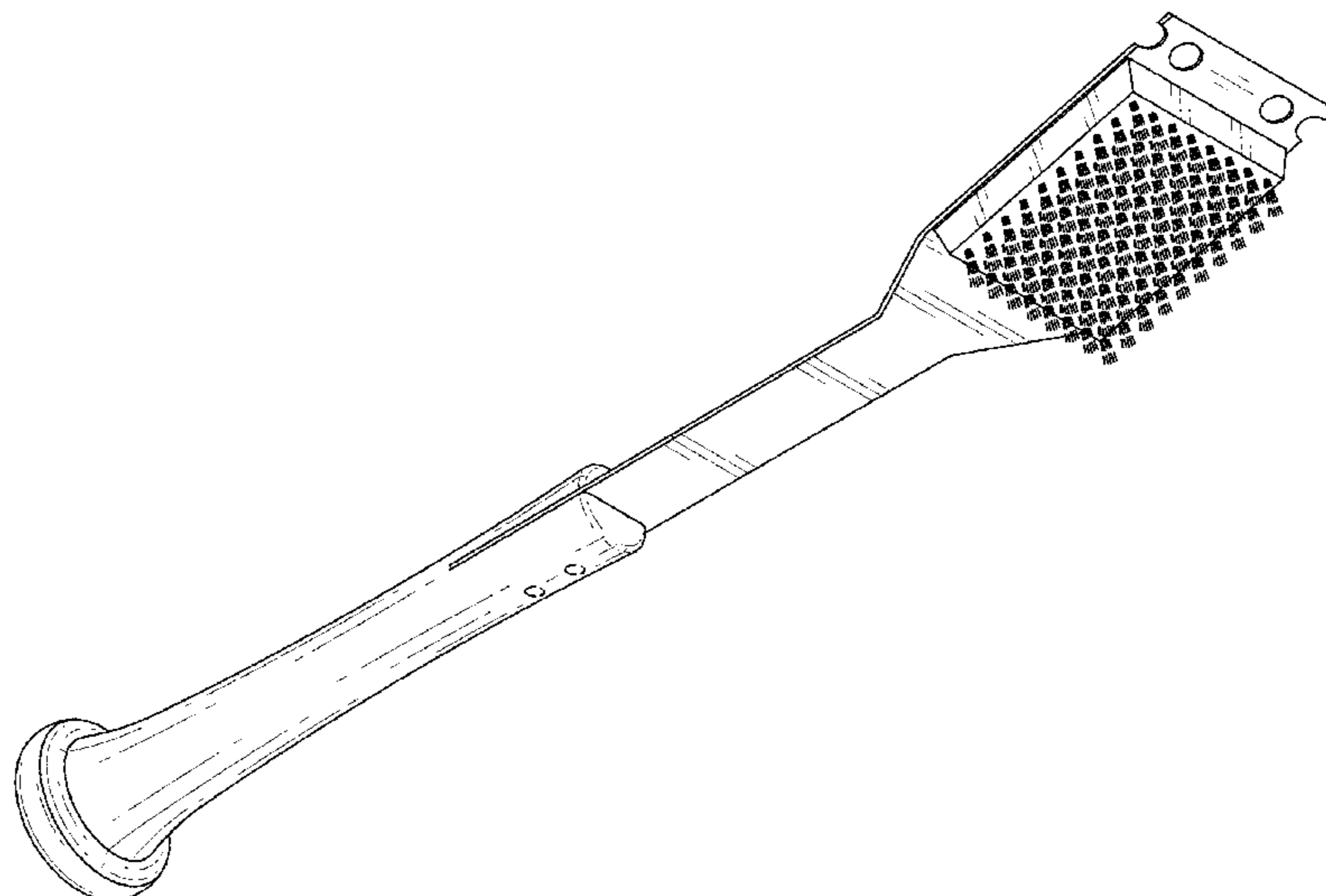
FIG. 1 is a perspective view of my design for a baseball bat barbeque scraper;  
FIG. 2 is a front elevational view of my design for a baseball bat barbeque scraper;  
FIG. 3 is a rear elevational view of my design for a baseball bat barbeque scraper;  
FIG. 4 is a right side elevational view of my design for a baseball bat barbeque scraper;  
FIG. 5 is a left side elevational view of my design for a baseball bat barbeque scraper;  
FIG. 6 is a top plan view of my design for a baseball bat barbeque scraper; and,  
FIG. 7 is a bottom plan view of my design for a baseball bat barbeque scraper.  
The broken lines in the drawings are for illustrative purposes only and do not form part of the claimed design.

**1 Claim, 4 Drawing Sheets**

(56) **References Cited**

**U.S. PATENT DOCUMENTS**

- D307,077 S \* 4/1990 Bryant ..... D4/118
- D358,491 S \* 5/1995 Hoagland ..... D4/118
- D360,762 S \* 8/1995 Porter ..... D4/124
- D366,962 S \* 2/1996 Whitaker ..... D4/118
- D411,043 S \* 6/1999 Wachler ..... D32/49
- D411,368 S \* 6/1999 Liu ..... D4/118
- D417,550 S \* 12/1999 Lu ..... D32/42
- D540,543 S \* 4/2007 Hay ..... D4/118
- D579,668 S \* 11/2008 Zemel ..... D4/138
- 8,438,687 B2\* 5/2013 Cybulski ..... A47L 13/34 15/210.1
- D684,454 S \* 6/2013 Sutherland ..... D8/378
- D695,028 S \* 12/2013 Hagerty ..... D6/310
- 8,671,500 B2\* 3/2014 Carlson ..... A47L 13/34 15/228
- D898,544 S \* 10/2020 Promo ..... B25G 1/102 D8/303
- 2004/0019991 A1\* 2/2004 Neal ..... A47L 13/12 15/176.4



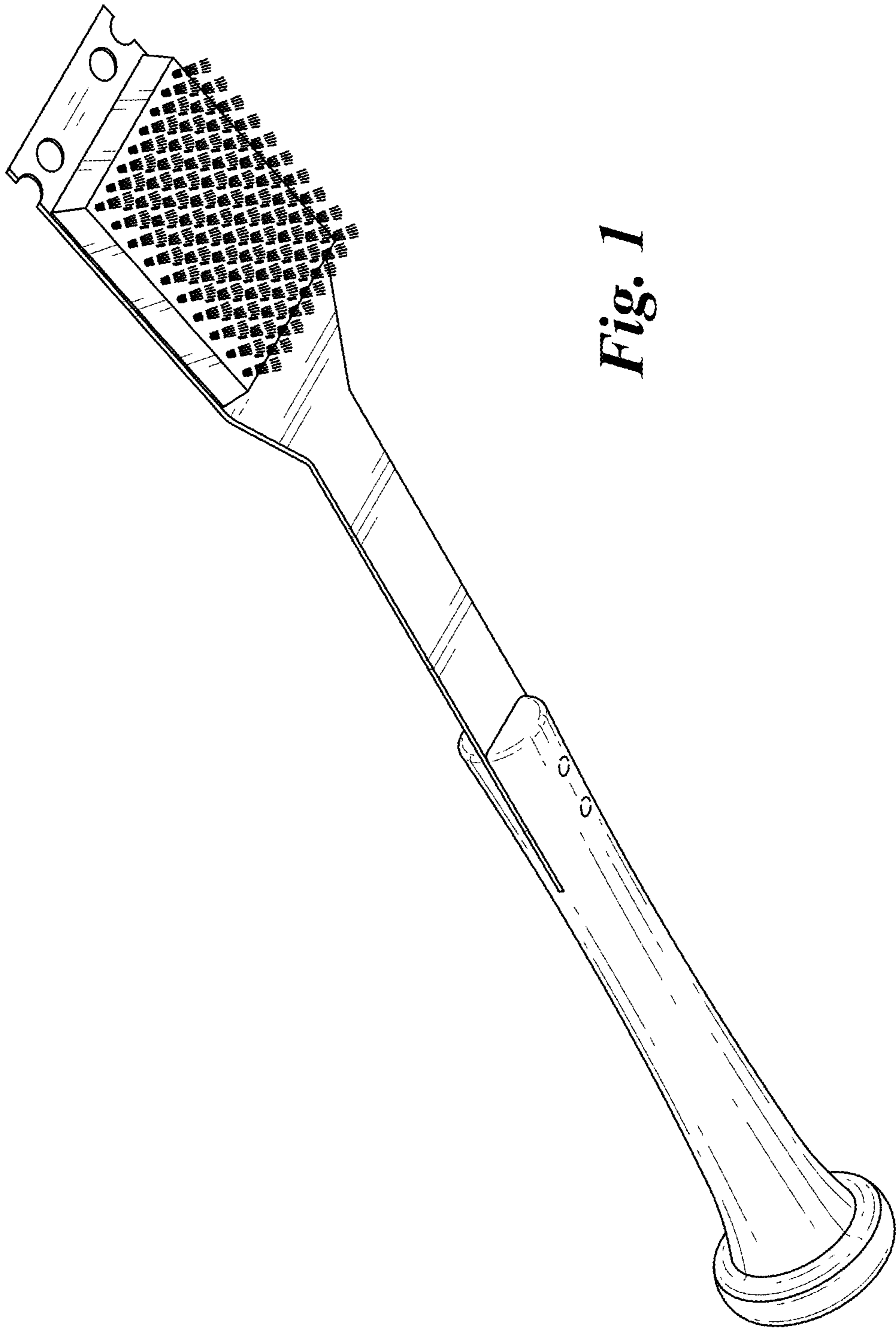
(56)

**References Cited**

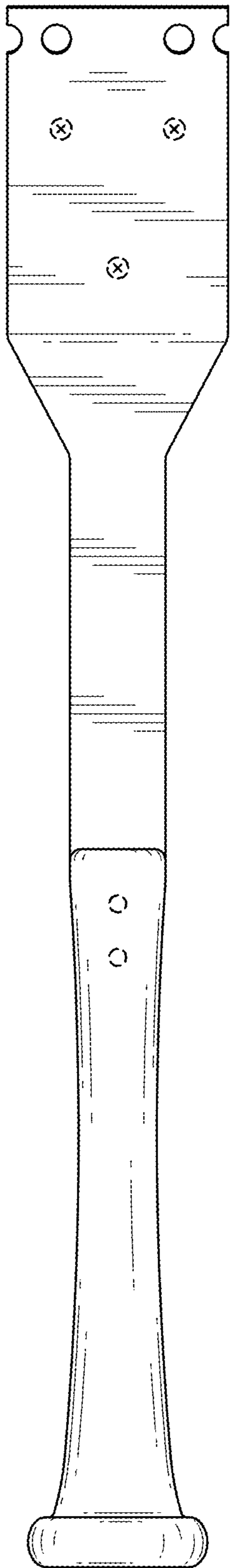
U.S. PATENT DOCUMENTS

2007/0231054 A1\* 10/2007 Wales ..... A46B 5/008  
401/25  
2017/0106261 A1\* 4/2017 DePaoli ..... A63B 60/14

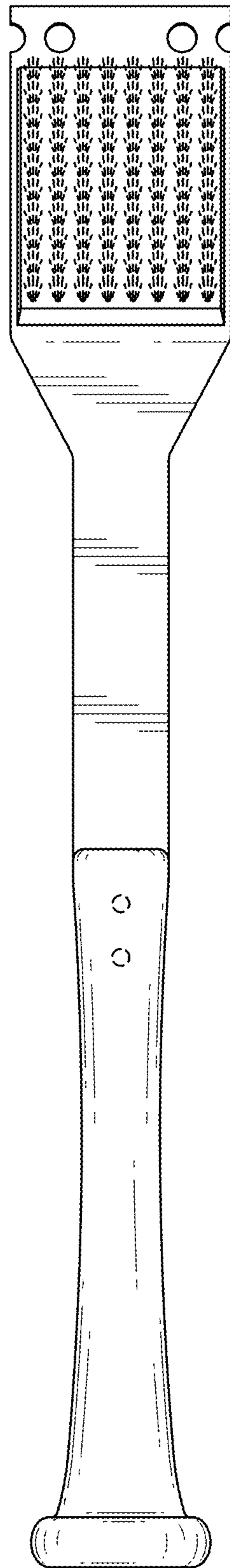
\* cited by examiner



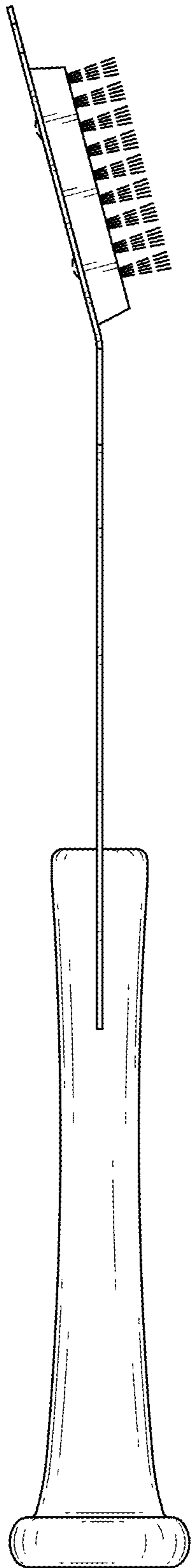
*Fig. 1*



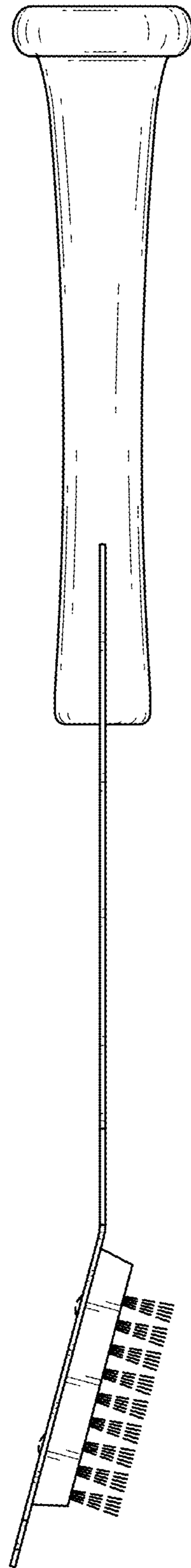
*Fig. 2*



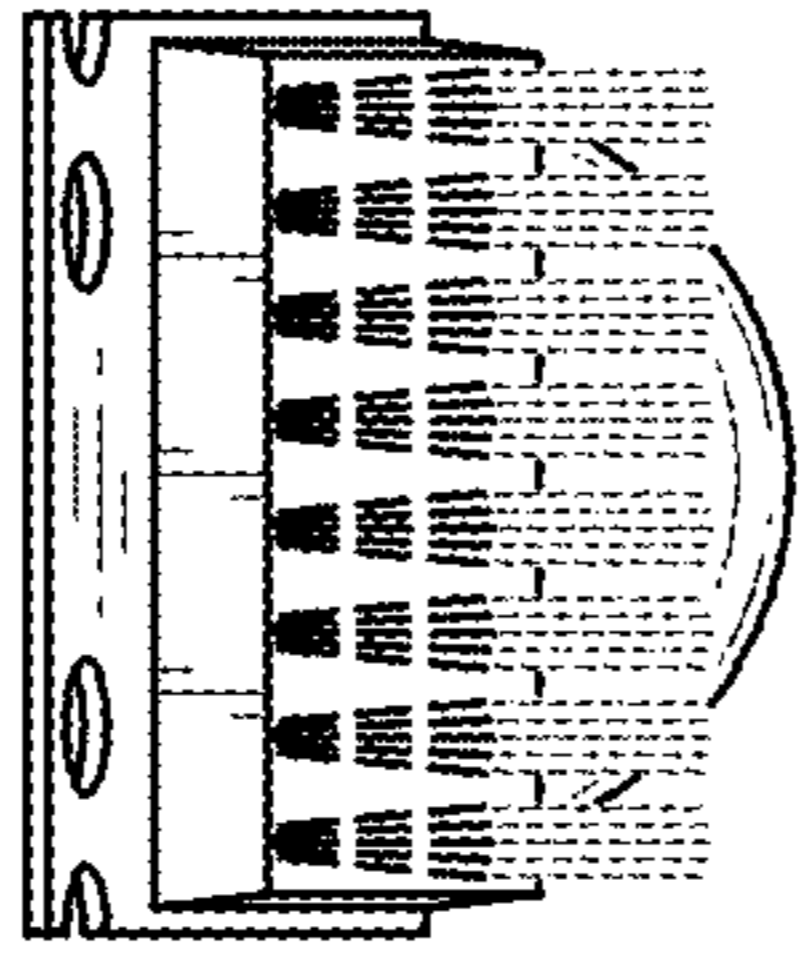
*Fig. 3*



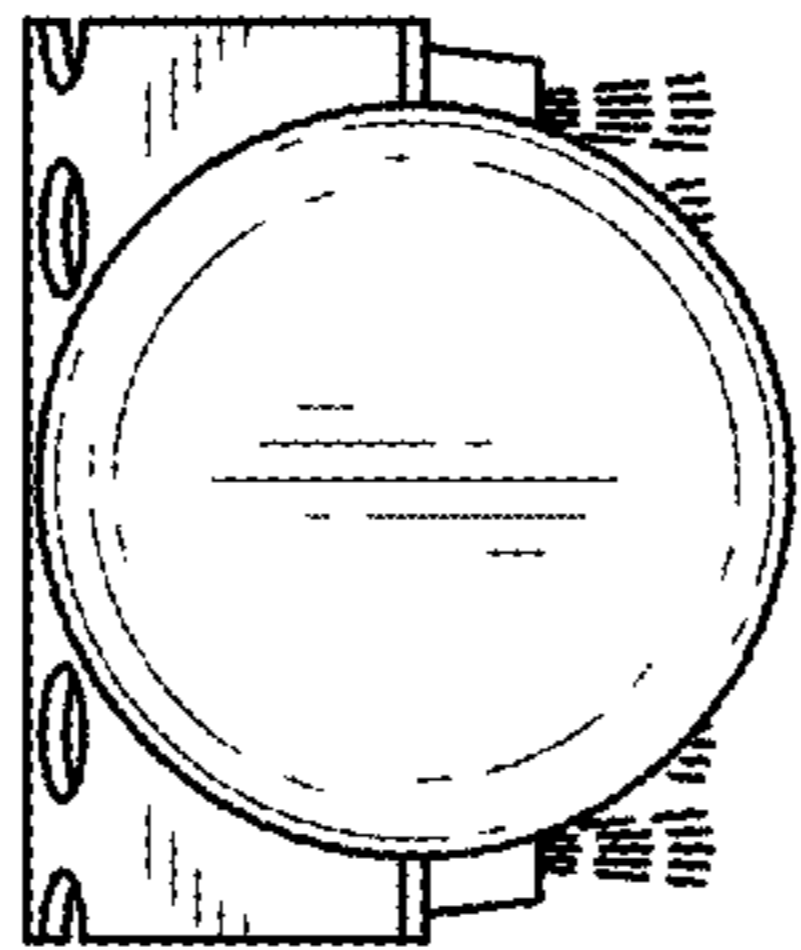
*Fig. 4*



*Fig. 5*



*Fig. 7*



*Fig. 6*