



US00D979871S

(12) **United States Design Patent** (10) **Patent No.:** **US D979,871 S**  
**Davis** (45) **Date of Patent:** **\*\* Feb. 28, 2023**

(54) **COLLAPSIBLE HAMPER**  
(71) Applicant: **CleverMade, LLC**, Carlsbad, CA (US)  
(72) Inventor: **Mark Ephraim Davis**, Carlsbad, CA (US)  
(73) Assignee: **CleverMade, LLC**, Carlsbad, CA (US)  
(\*\*) Term: **15 Years**

(21) Appl. No.: **29/731,088**  
(22) Filed: **Apr. 11, 2020**  
(51) **LOC (14) Cl.** ..... **09-04**  
(52) **U.S. Cl.**  
USPC ..... **D32/37**  
(58) **Field of Classification Search**  
USPC ..... D3/304, 306, 309, 312; D32/35-37  
CPC ..... B65D 25/30; B65D 25/06; B62B 3/025;  
B62B 3/003; B62B 5/0061; D06F 95/002;  
D06F 95/00; D06F 95/008  
See application file for complete search history.

(56) **References Cited**

**U.S. PATENT DOCUMENTS**

D214,586 S *	7/1969	Voorhis .....	D32/36
D274,662 S *	7/1984	Fausel .....	D32/37
D279,038 S *	5/1985	Thompson, Jr. ....	D34/5
4,940,200 A *	7/1990	Sawyer .....	B65F 1/06 248/97
D349,428 S *	8/1994	Krugman .....	D3/288
D680,329 S *	4/2013	Krotts .....	D3/305
D703,895 S *	4/2014	Wang .....	D32/37
D711,107 S *	8/2014	Krotts .....	D3/305
D728,940 S *	5/2015	Krotts .....	D3/305
9,828,721 B2 *	11/2017	Silverman .....	D06F 95/004
D824,126 S *	7/2018	Barre .....	D06F 95/002 D32/37
D842,606 S *	3/2019	Kraemer .....	D3/307
D855,916 S *	8/2019	Li .....	D32/37

D915,700 S *	4/2021	Chang Chien .....	D32/37
D930,306 S *	9/2021	Wang .....	D32/37
D942,723 S *	2/2022	Ebzery .....	D32/37
D947,476 S *	3/2022	Benedict .....	D32/37
2006/0032992 A1 *	2/2006	Rosheuvel .....	B65F 1/062 383/33
2009/0314219 A1 *	12/2009	Bryson .....	A01K 1/0254 119/499

**OTHER PUBLICATIONS**

Amazon.com\_ CleverMade Laundry Hamper Collapsible [https://www.amazon.com/CleverMade-Laundry-Hamper-Collapsible-Sorter/dp/B08BXVGZJV/ref=asc\\_df\\_B08BXVGZJV/](https://www.amazon.com/CleverMade-Laundry-Hamper-Collapsible-Sorter/dp/B08BXVGZJV/ref=asc_df_B08BXVGZJV/) (Year: 2020).\*

\* cited by examiner

*Primary Examiner* — Kevin K Rudzinski  
*Assistant Examiner* — Richard E Yenchesky  
(74) *Attorney, Agent, or Firm* — Ryan Dean; Umberg Zipser LLP

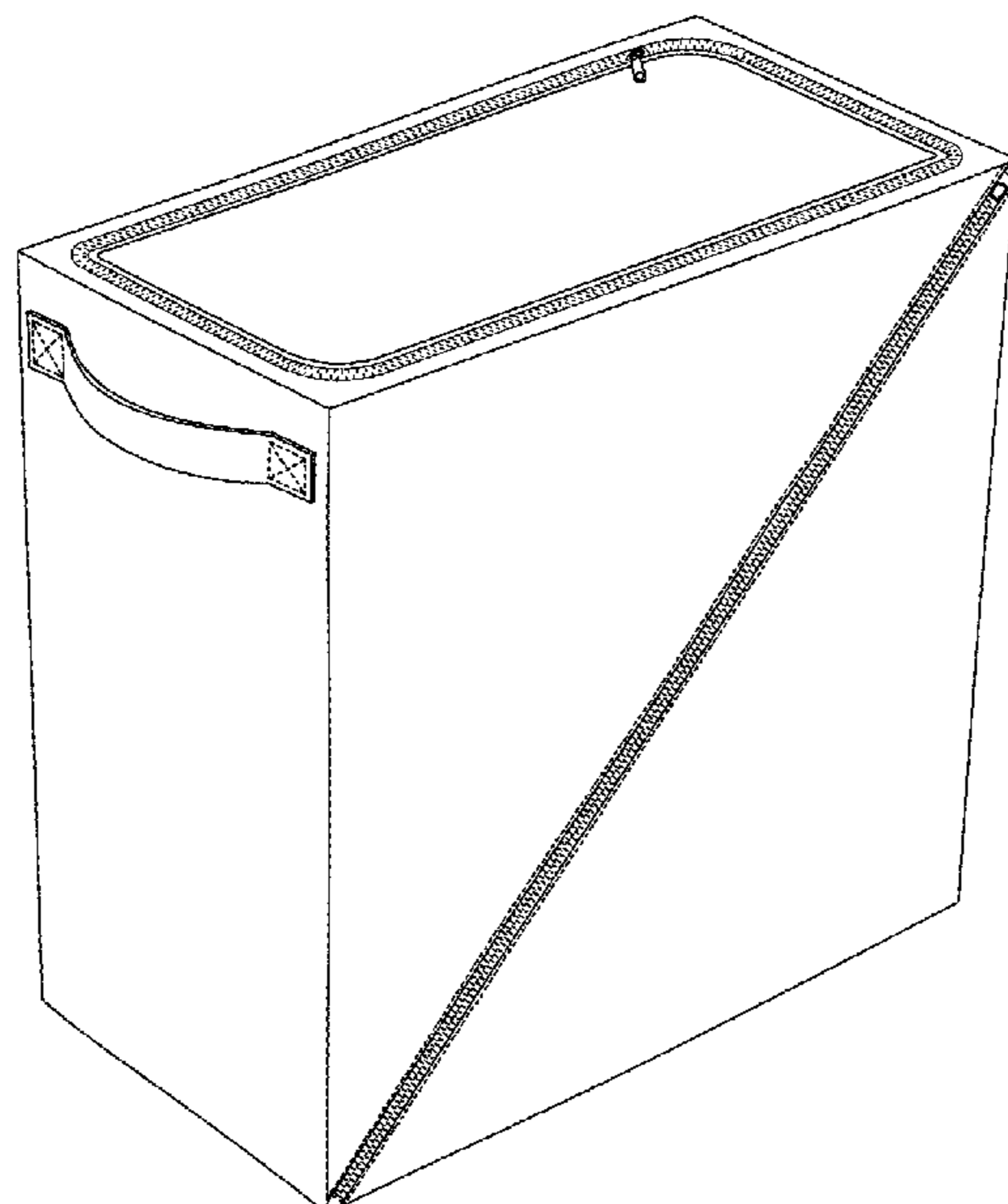
(57) **CLAIM**

I claim the ornamental design for a collapsible hamper, as shown and described.

**DESCRIPTION**

FIG. 1 is a perspective view of the collapsible hamper in an expanded configuration.  
FIG. 2 is a perspective view of the collapsible hamper in a collapsed configuration.  
FIG. 3 is a right side elevation view of the collapsible hamper.  
FIG. 4 is a left side elevation view of the collapsible hamper.  
FIG. 5 is a front elevation view of the collapsible hamper.  
FIG. 6 is a back elevation view of the collapsible hamper.  
FIG. 7 is a top plan view of the collapsible hamper; and,  
FIG. 8 is a bottom plan view of the collapsible hamper.

**1 Claim, 7 Drawing Sheets**



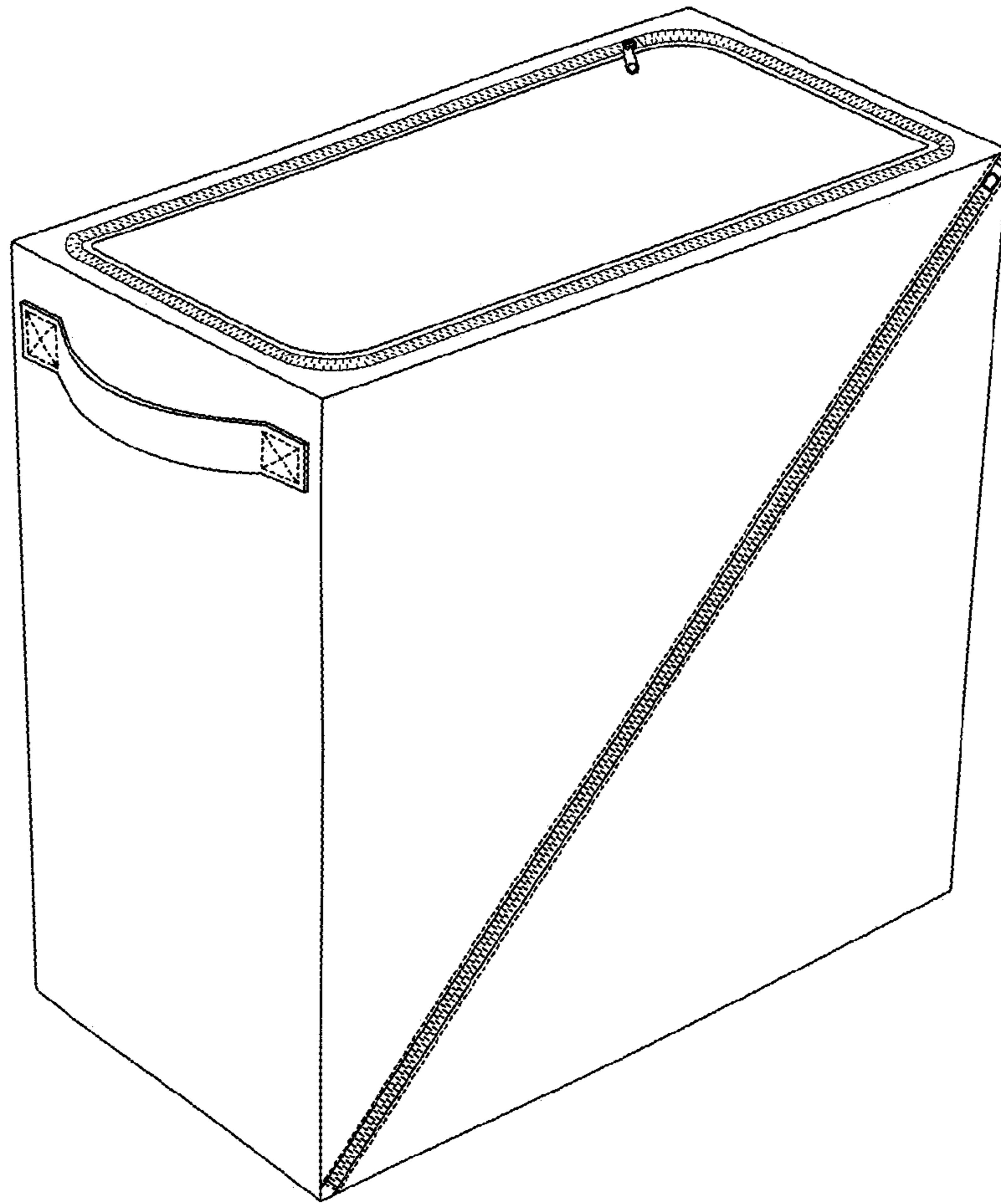


FIG. 1

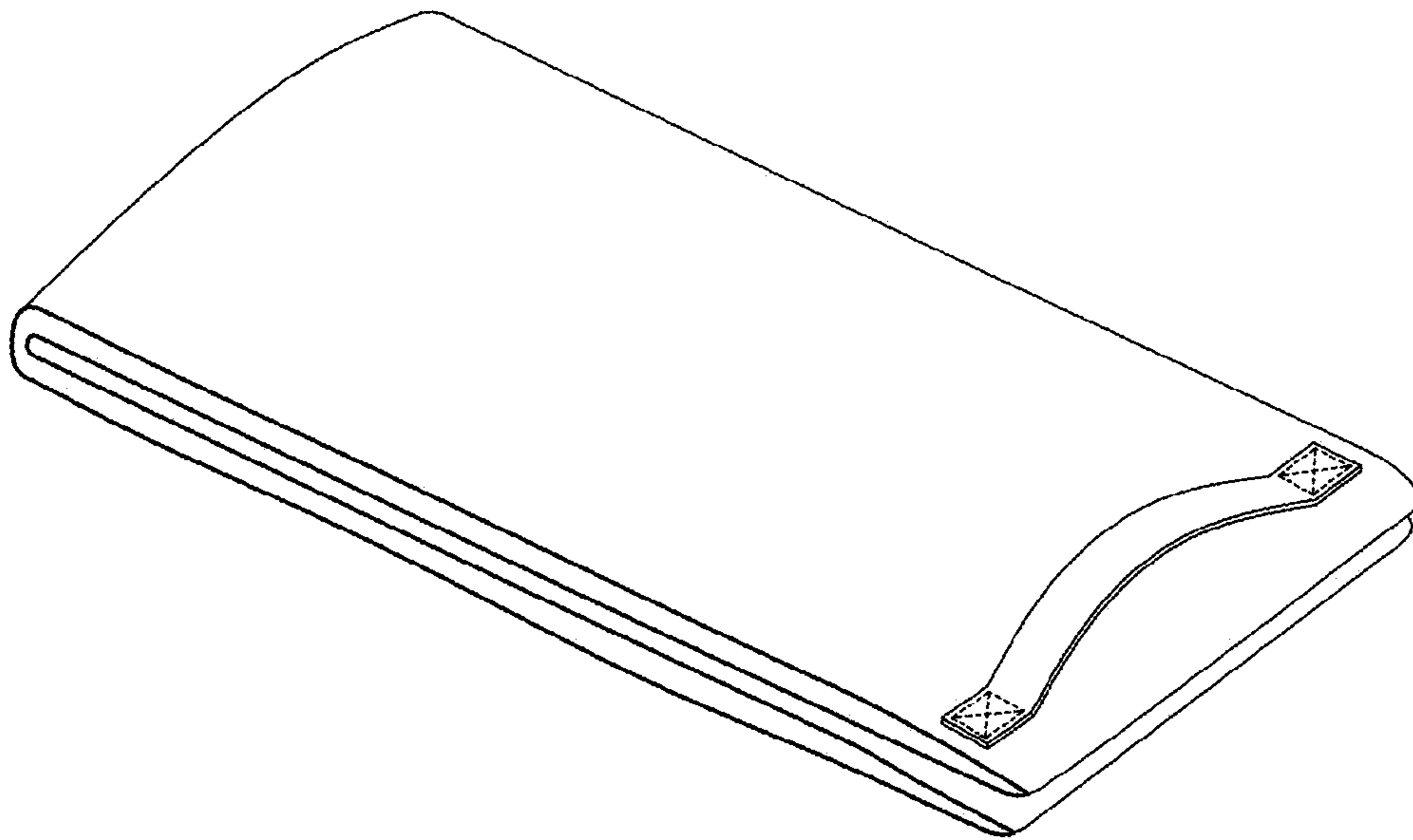


FIG. 2

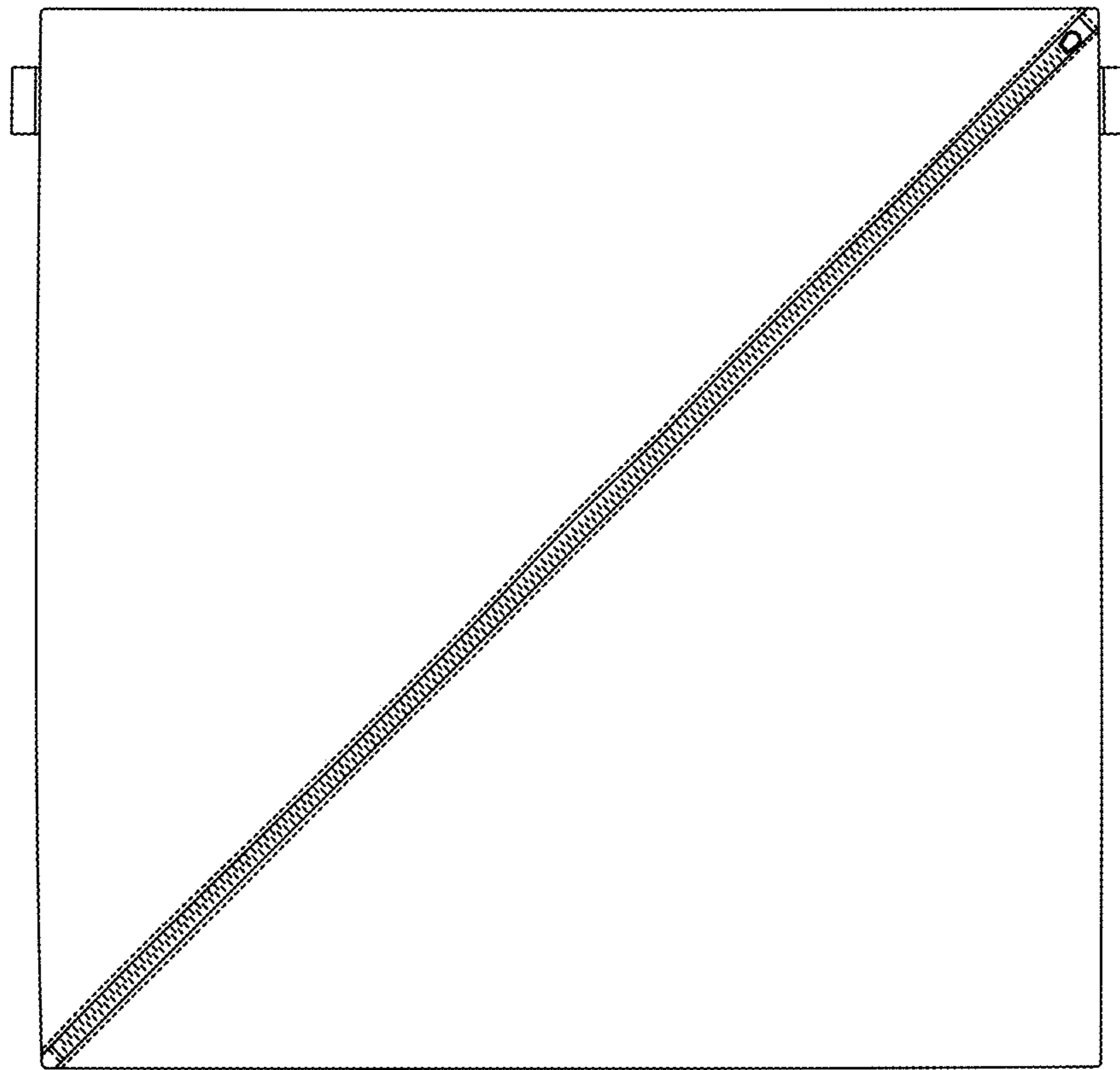


FIG. 3

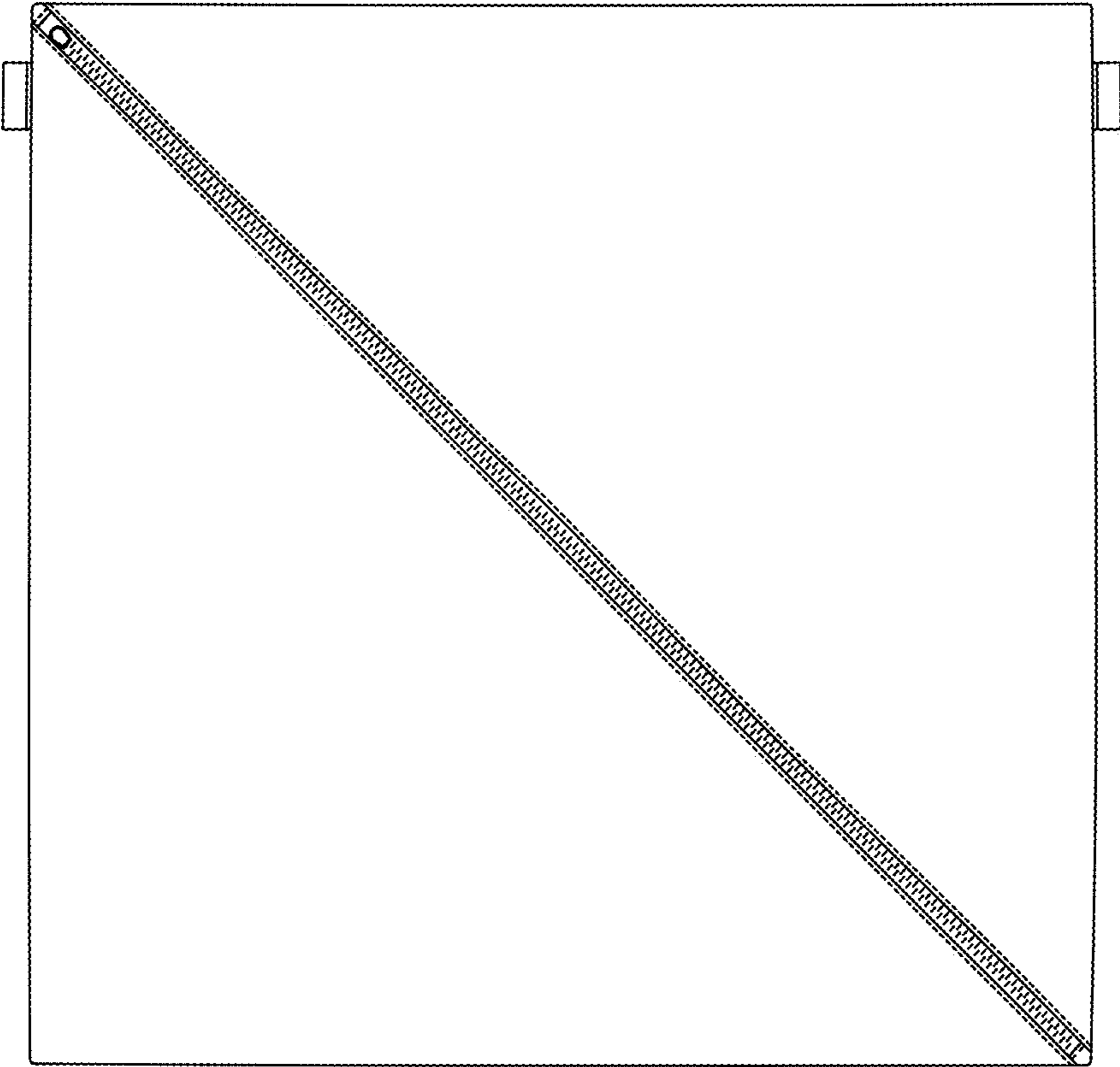


FIG. 4

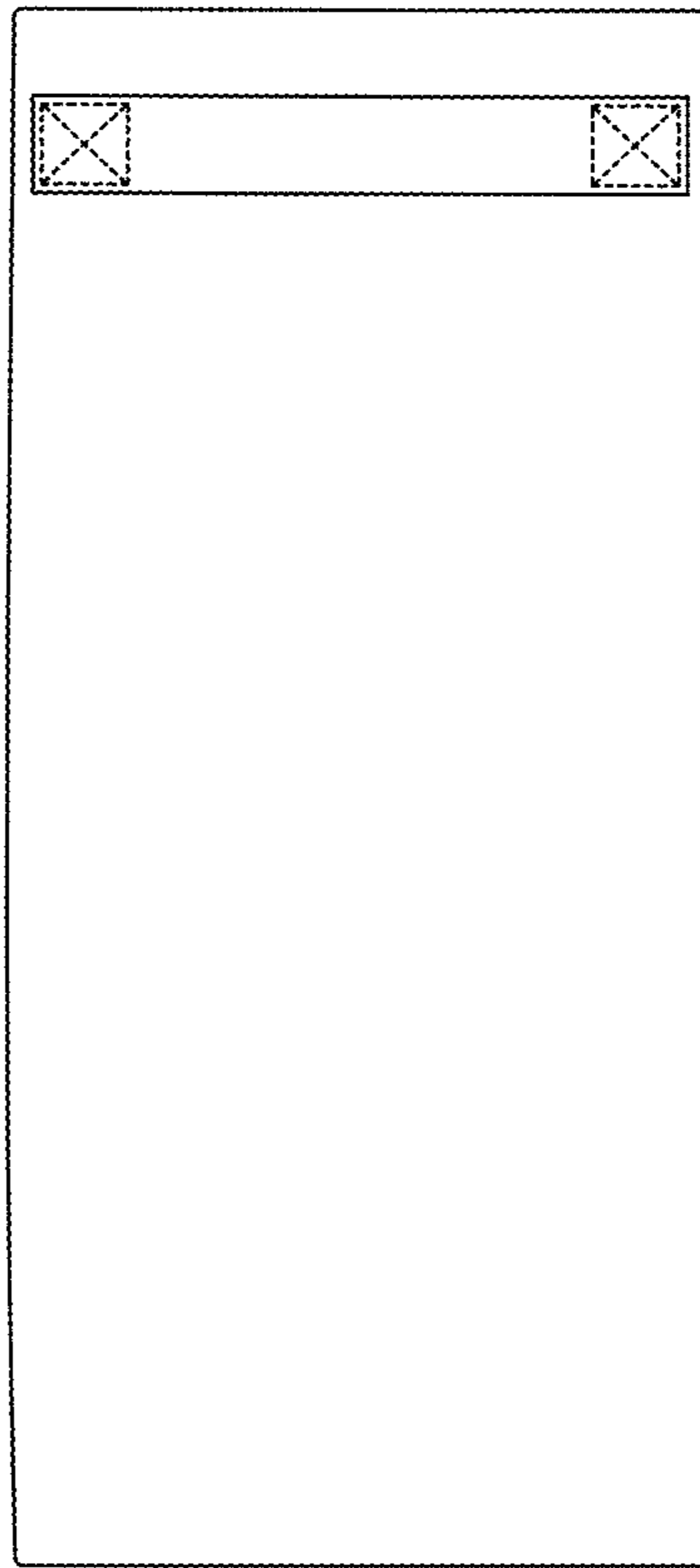


FIG. 5

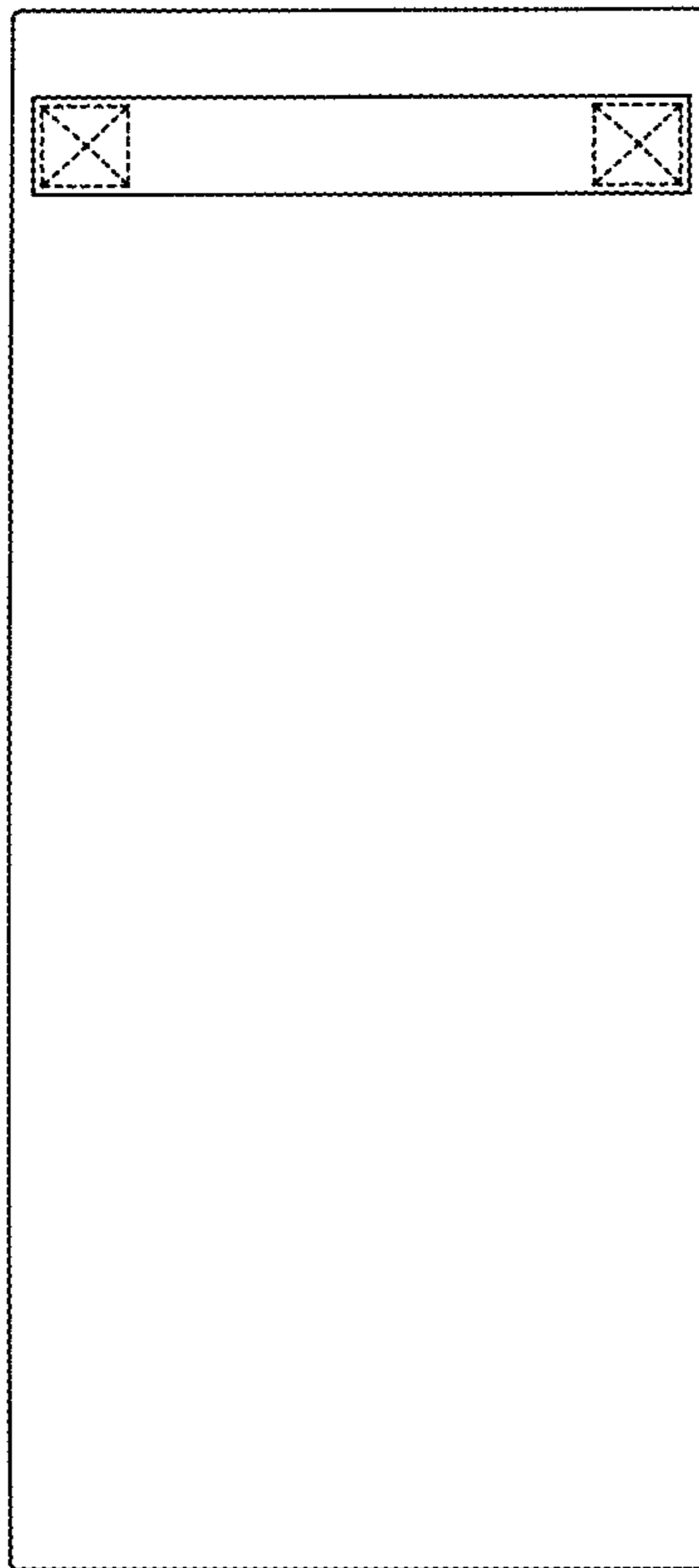


FIG. 6

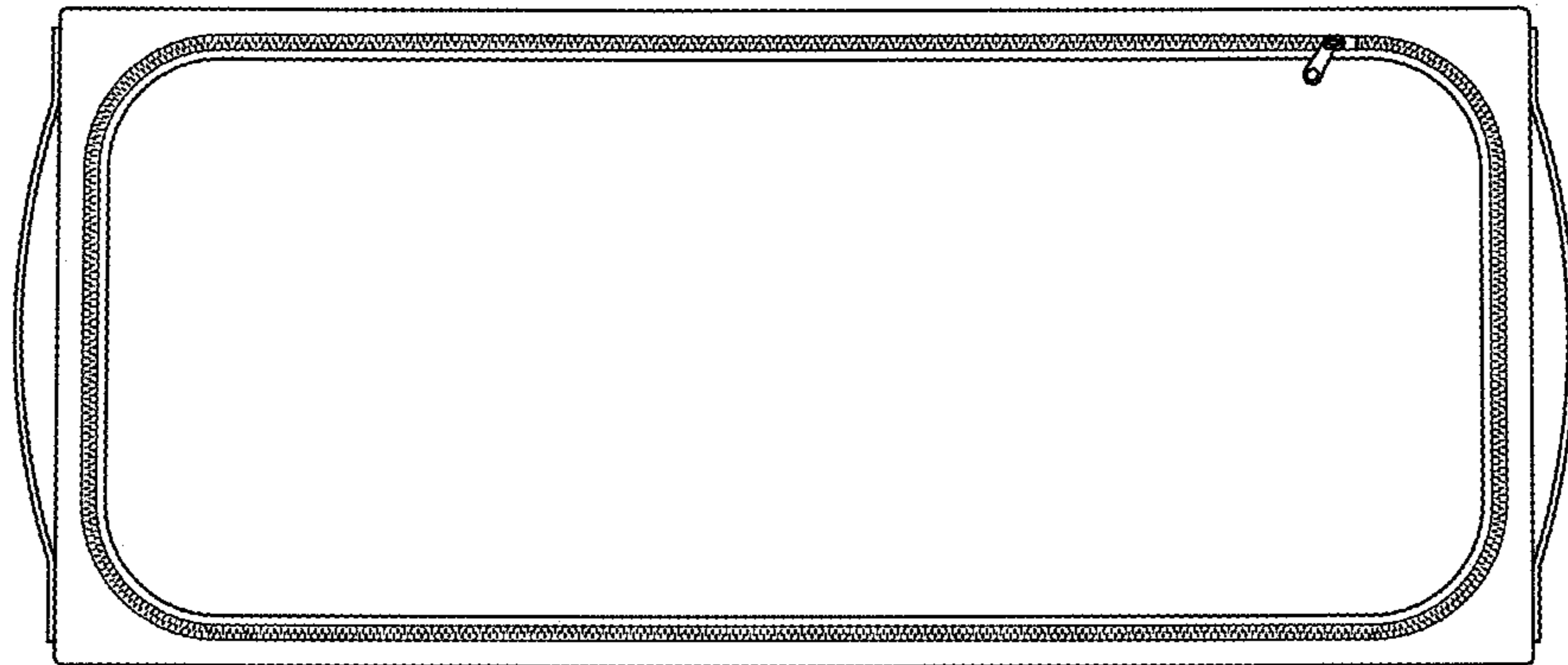


FIG. 7

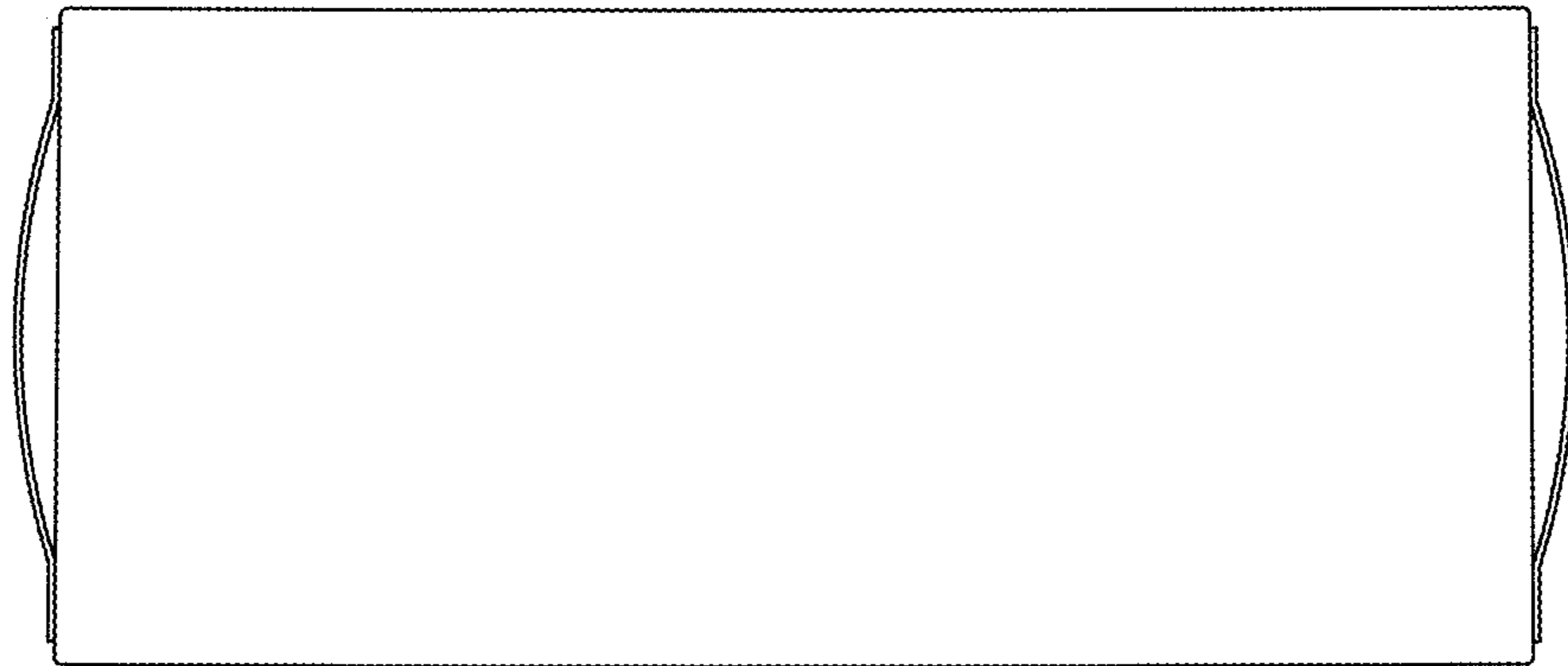


FIG. 8