



US00D979870S

(12) **United States Design Patent**
Kamrath

(10) **Patent No.:** **US D979,870 S**

(45) **Date of Patent:** **** Feb. 28, 2023**

- (54) **VACUUM HOSE END**
- (71) Applicant: **Rexair LLC**, Troy, MI (US)
- (72) Inventor: **Robert R. Kamrath**, Grand Rapids, MI (US)
- (73) Assignee: **REXAIR LLC**, Troy, MI (US)
- (**) Term: **15 Years**
- (21) Appl. No.: **29/733,777**
- (22) Filed: **May 6, 2020**

- 5,109,568 A * 5/1992 Rohn A47L 9/327
285/903
- 5,149,160 A * 9/1992 Iida A47L 9/327
239/525
- D333,023 S * 2/1993 Herron, Jr. D32/34
(Continued)

Related U.S. Application Data

- (63) Continuation-in-part of application No. 16/582,589, filed on Sep. 25, 2019, now Pat. No. 11,241,131.
- (51) **LOC (14) Cl.** **15-05**
- (52) **U.S. Cl.**
USPC **D32/34**
- (58) **Field of Classification Search**
USPC D15/9.1; D23/223; D32/17, 18, 25, 31,
D32/32, 34
CPC A47L 5/28; A47L 11/4044; A47L 5/32;
A47L 5/36; A47L 7/00; A47L 9/00; A47L
11/00; A47L 11/38; A47L 5/322; A47L
9/327; A47L 9/325
See application file for complete search history.

References Cited

U.S. PATENT DOCUMENTS

- 2,837,240 A * 6/1958 Boone B67D 7/48
141/218
- 3,407,373 A * 10/1968 Brown H01R 13/005
439/23
- D315,043 S * 2/1991 Hayden D32/34
- 4,993,104 A * 2/1991 Kasper A47L 7/0004
318/447

OTHER PUBLICATIONS

RainVac.com 14 foot srx/pn <https://www.rainvac.com/rainbow-vacuum-accessories/hose-dolly/electric-hose-handle-14-ft-srxpn3> (Year: 2020).*

(Continued)

Primary Examiner — Kevin K Rudzinski
Assistant Examiner — Richard E Yenchesky
(74) *Attorney, Agent, or Firm* — McDermott Will & Emery LLP

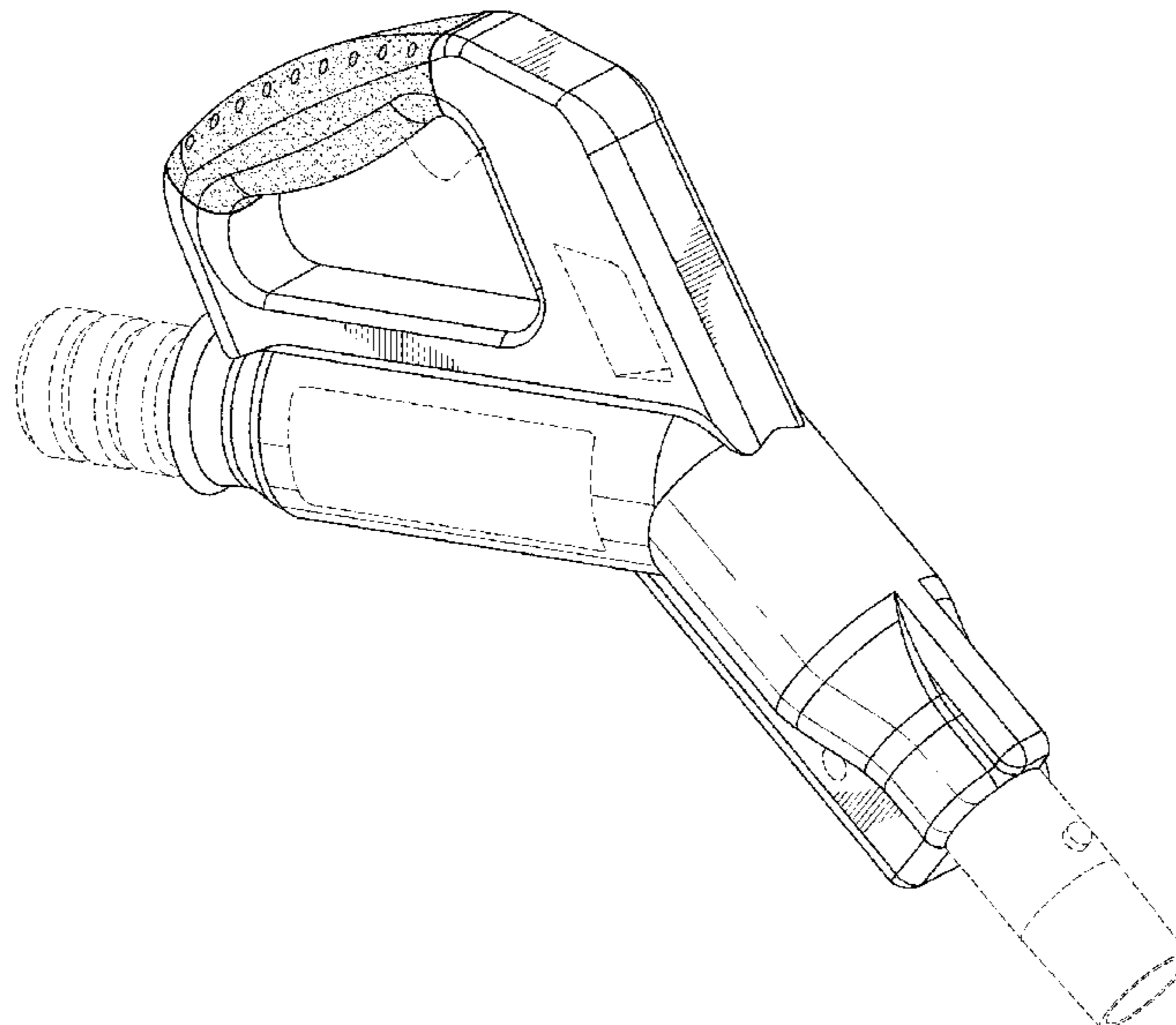
(57) **CLAIM**

The ornamental design for a vacuum hose end, as shown and described in FIGS. 1-7.

DESCRIPTION

FIG. 1 is a top perspective view of the design of the present disclosure;
FIG. 2 is a right side view of the design depicted in FIG. 1;
FIG. 3 is a left side view of the design depicted in FIG. 1;
FIG. 4 is a rear view of the design depicted in FIG. 1;
FIG. 5 is a front view of the design depicted in FIG. 1;
FIG. 6 is a top view of the design depicted in FIG. 1; and,
FIG. 7 is a bottom view of the design depicted in FIG. 1.
Those portions of the present invention which are presented in phantom illustrate the environment of the design only and form no part of the claimed design. Moreover, the shading presented in the accompanying drawings is provided merely to highlight the contour of the invention and is not intended to be illustrative of texture or gloss.

1 Claim, 5 Drawing Sheets



(56)

References Cited

U.S. PATENT DOCUMENTS

D334,447 S * 3/1993 Rohn D32/34
 D431,335 S * 9/2000 Mehaffey D32/34
 D543,325 S * 5/2007 Burnham D32/34
 D565,819 S * 4/2008 Renner D32/34
 D611,666 S * 3/2010 Umeda D32/34
 D642,755 S * 8/2011 Fjellman D32/34
 D644,385 S * 8/2011 Hare D32/34
 D670,056 S * 10/2012 Ventress D32/34
 D731,725 S * 6/2015 Jang D32/34
 D739,622 S * 9/2015 Johnson D32/34
 9,155,438 B2 * 10/2015 Park A47L 9/246
 D779,754 S * 2/2017 Miyazaki D32/34
 D780,394 S * 2/2017 Bu D32/18
 D803,495 S * 11/2017 Gammack D32/34
 11,241,132 B2 * 2/2022 Kamrath H01R 13/6271
 2004/0261211 A1 * 12/2004 Overvaag A47L 9/327
 15/410

2007/0151073 A1* 7/2007 Cunningham A47L 5/38
 15/314
 2009/0031526 A1* 2/2009 Linhart A47L 9/327
 15/410
 2019/0313866 A1* 10/2019 Jakubos A47L 9/0072

OTHER PUBLICATIONS

Amazon.ukco Rainbow Genuine Electric Hose https://www.amazon.com/Rainbow-Genuine-Electric-Handle-Nozzle/dp/B008ND120S/ref=sr_1_3 (Year: 2012).*

Amazon.co.uk Rainbow Hose and Handle https://www.amazon.co.uk/Rainbow-Genuine-Electric-Handle-Nozzle/dp/B075TSY27F/ref=sr_1_1 (Year: 2017).*

Schematic and photographic representations of Rexair Rainbow E2 vacuum, first released in Apr. 2011.

Schematic and photographic representations of Rexair Rainbow D4 vacuum, first released in 1986.

* cited by examiner

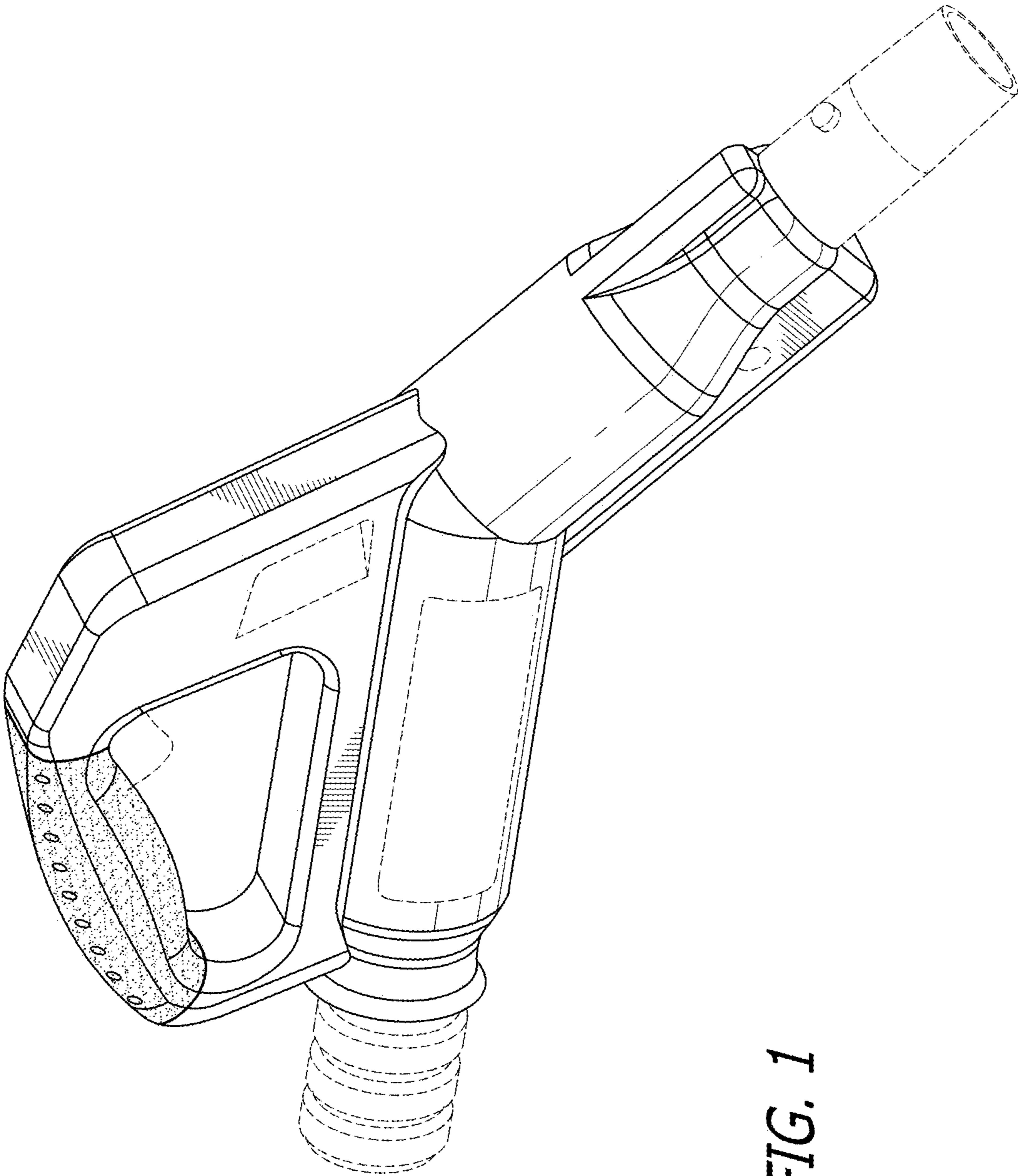
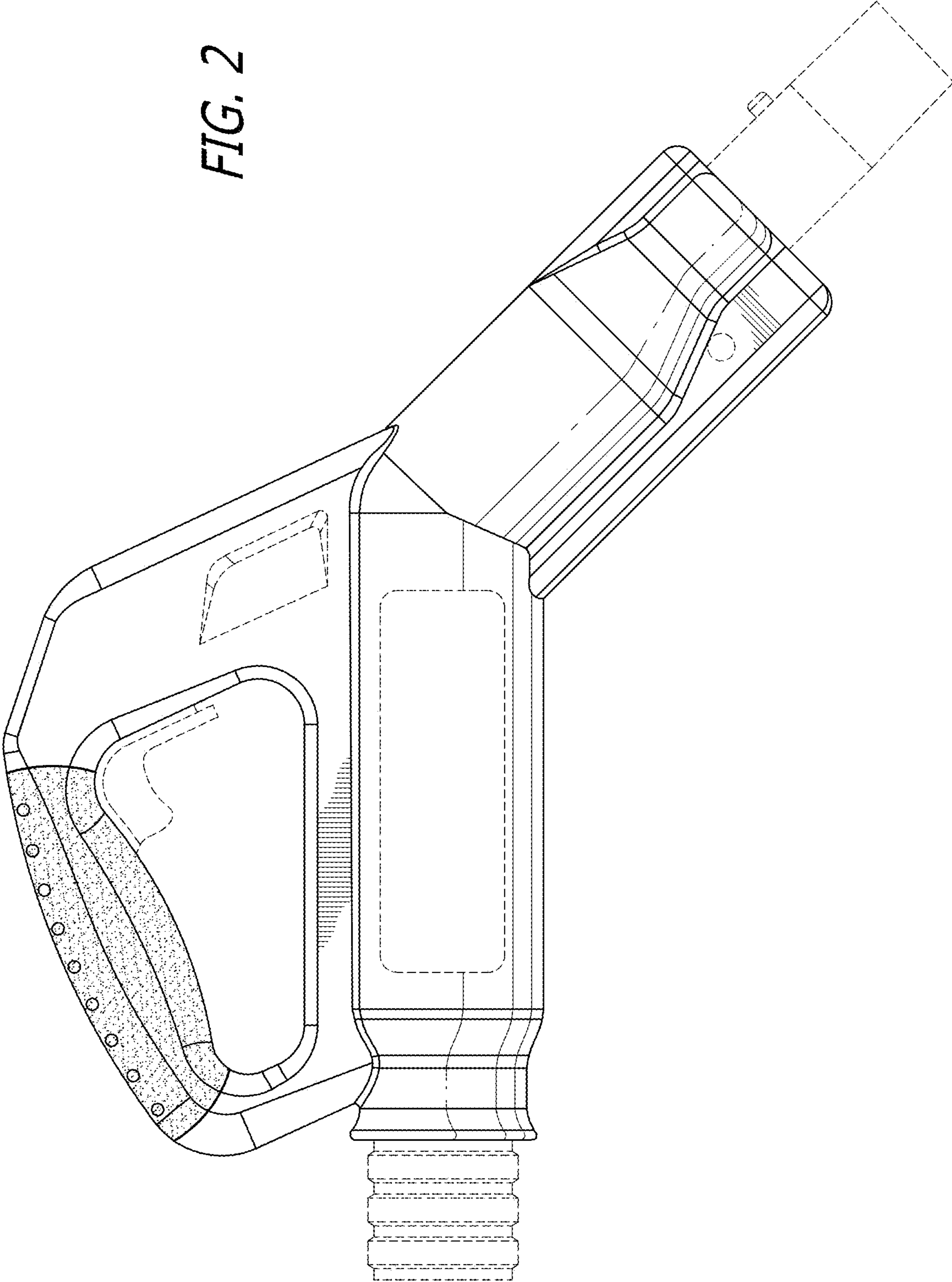


FIG. 1

FIG. 2



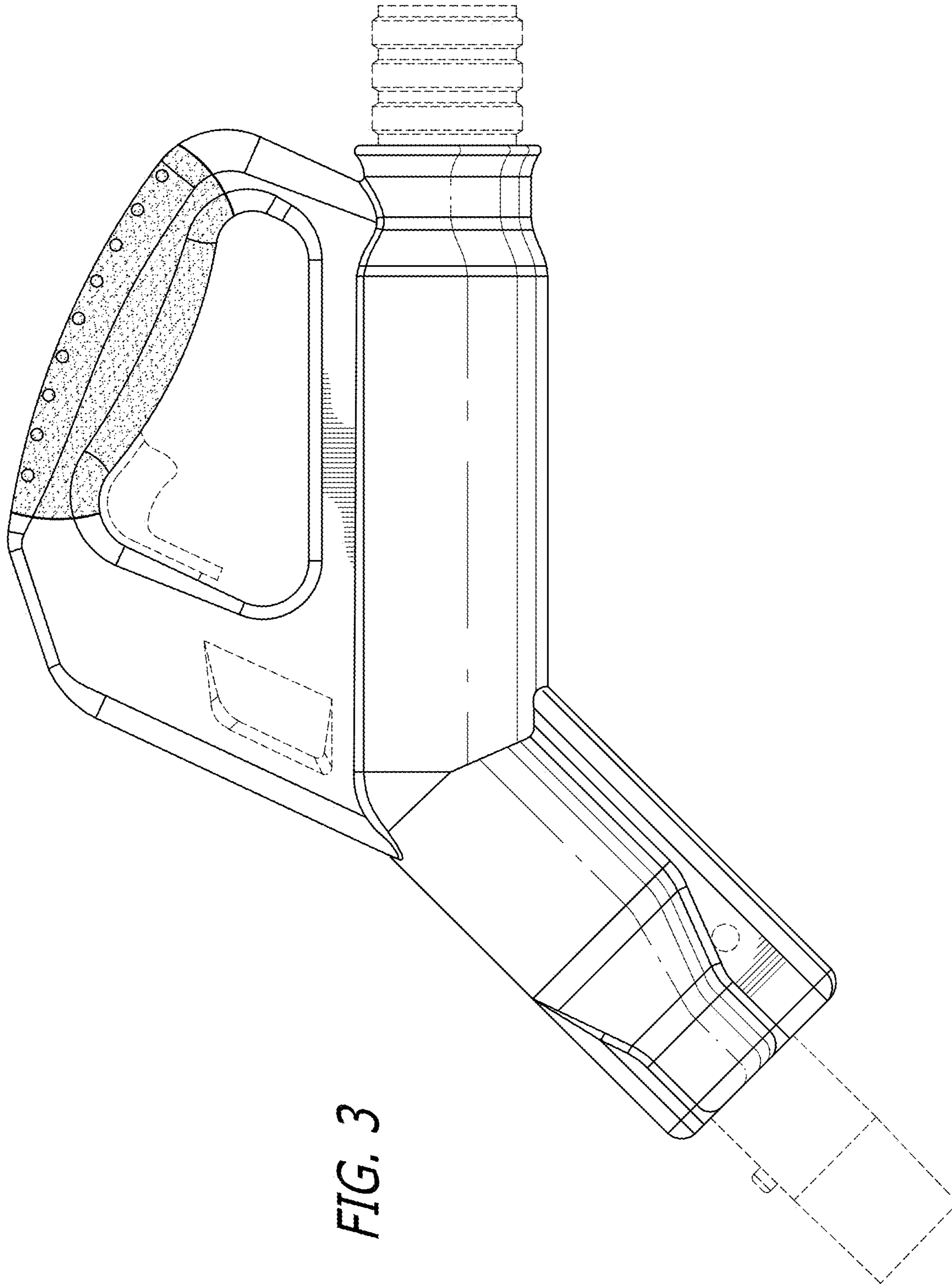


FIG. 3

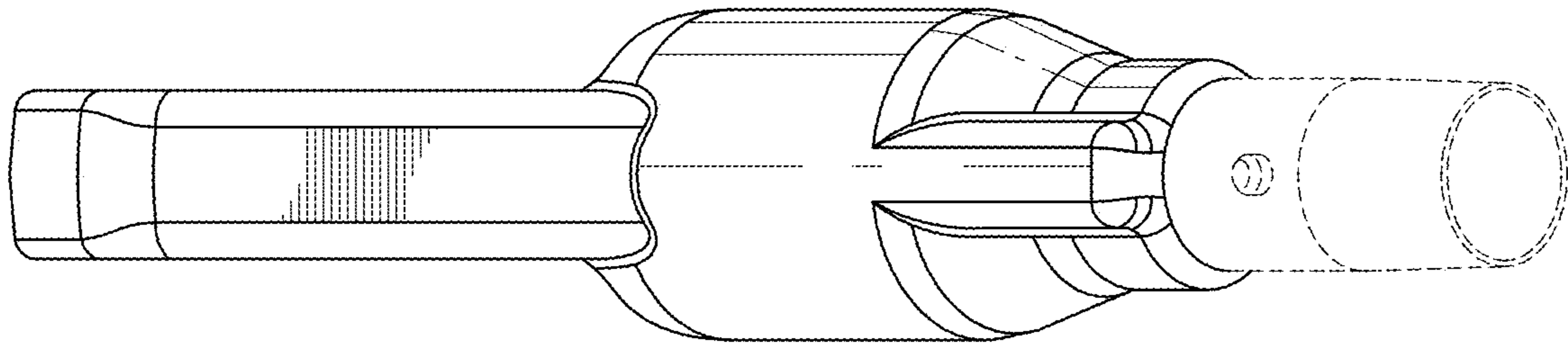


FIG. 5

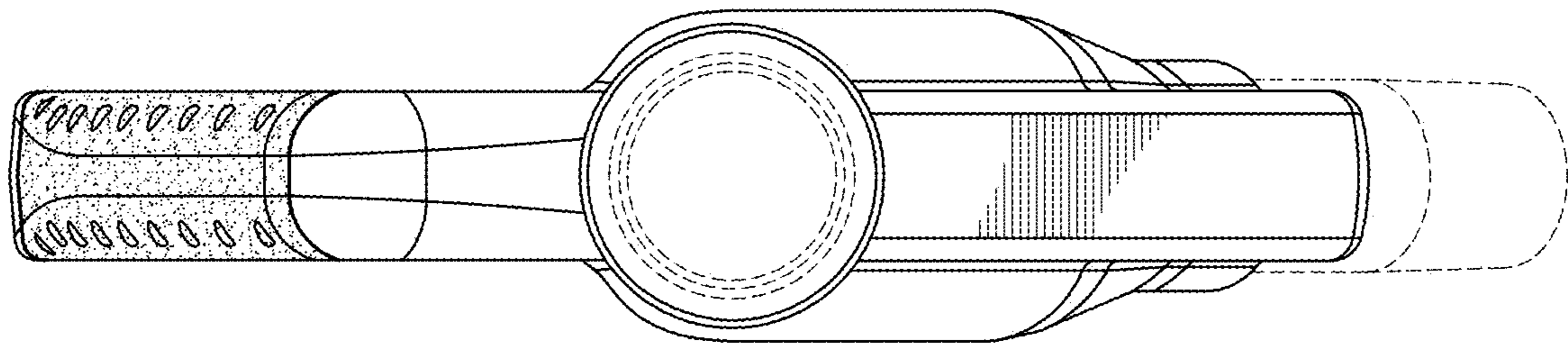


FIG. 4

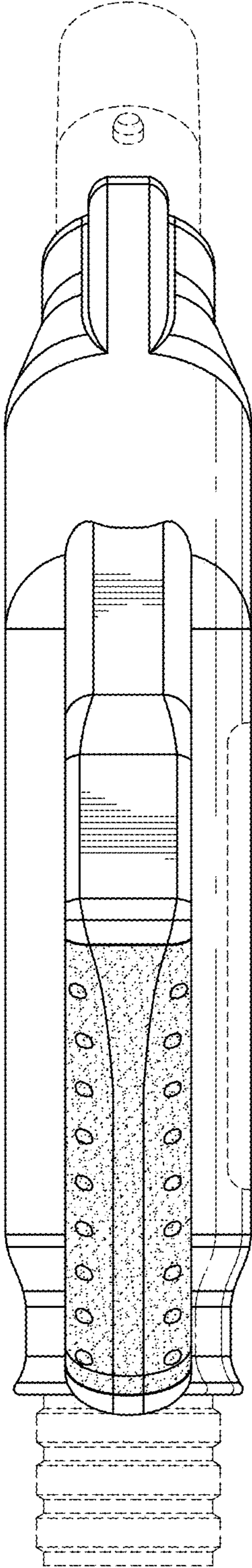


FIG. 6

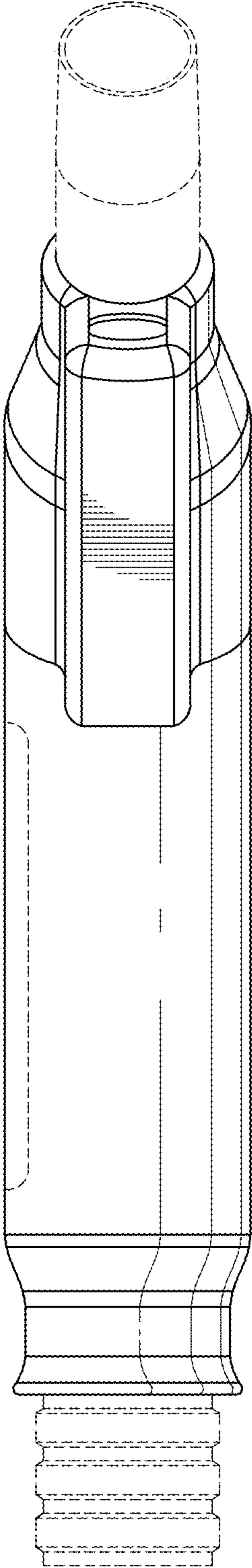


FIG. 7