



US00D979868S

(12) **United States Design Patent** (10) **Patent No.:** **US D979,868 S**
Bloemendaal et al. (45) **Date of Patent:** **** Feb. 28, 2023**

(54) **TRAY FOR A FLOOR CLEANER**
(71) Applicant: **BISSELL Inc.**, Grand Rapids, MI (US)
(72) Inventors: **Colin J. Bloemendaal**, Grand Rapids, MI (US); **Tom Minh Nguyen**, Grand Rapids, MI (US)

D878,819 S * 3/2020 Webster D6/657
D878,820 S * 3/2020 Knox D6/657
D881,022 S * 4/2020 Long D10/2
D897,949 S * 10/2020 Pearce D13/108
D906,236 S * 12/2020 Tat D15/17
D908,993 S * 1/2021 Li D32/31

(Continued)

(73) Assignee: **BISSELL Inc.**, Grand Rapids, MI (US)

FOREIGN PATENT DOCUMENTS

(**) Term: **15 Years**

GB 6162920 * 9/2021

(21) Appl. No.: **29/780,680**

OTHER PUBLICATIONS

(22) Filed: **Apr. 26, 2021**

evacuumstore.com Bissell Storage Tray https://evacuumstore.com/p-34455-bissell-1620634-storage-tray-w-charger.aspx?gclid=EAlalQobChMlusnOterW-wlVj4nlCh0Fowl4EAwYASABEgKaTfd_BwE (Year: 2021).*

(51) **LOC (14) Cl.** **15-05**

(52) **U.S. Cl.**
USPC **D32/31**

(58) **Field of Classification Search**
USPC D13/108, 184; D32/21, 25, 28, 31, 32, D32/73
CPC .. B01D 46/0043; A47L 9/149; A47L 11/4097; A47L 11/4027; A47L 11/4025; H01R 13/6675; H02J 7/0003
See application file for complete search history.

Primary Examiner — Kevin K Rudzinski
Assistant Examiner — Richard E Yenchesky
(74) *Attorney, Agent, or Firm* — Warner Norcross + Judd LLP

(56) **References Cited**

(57) **CLAIM**

The ornamental design for a tray for a floor cleaner, as shown and described.

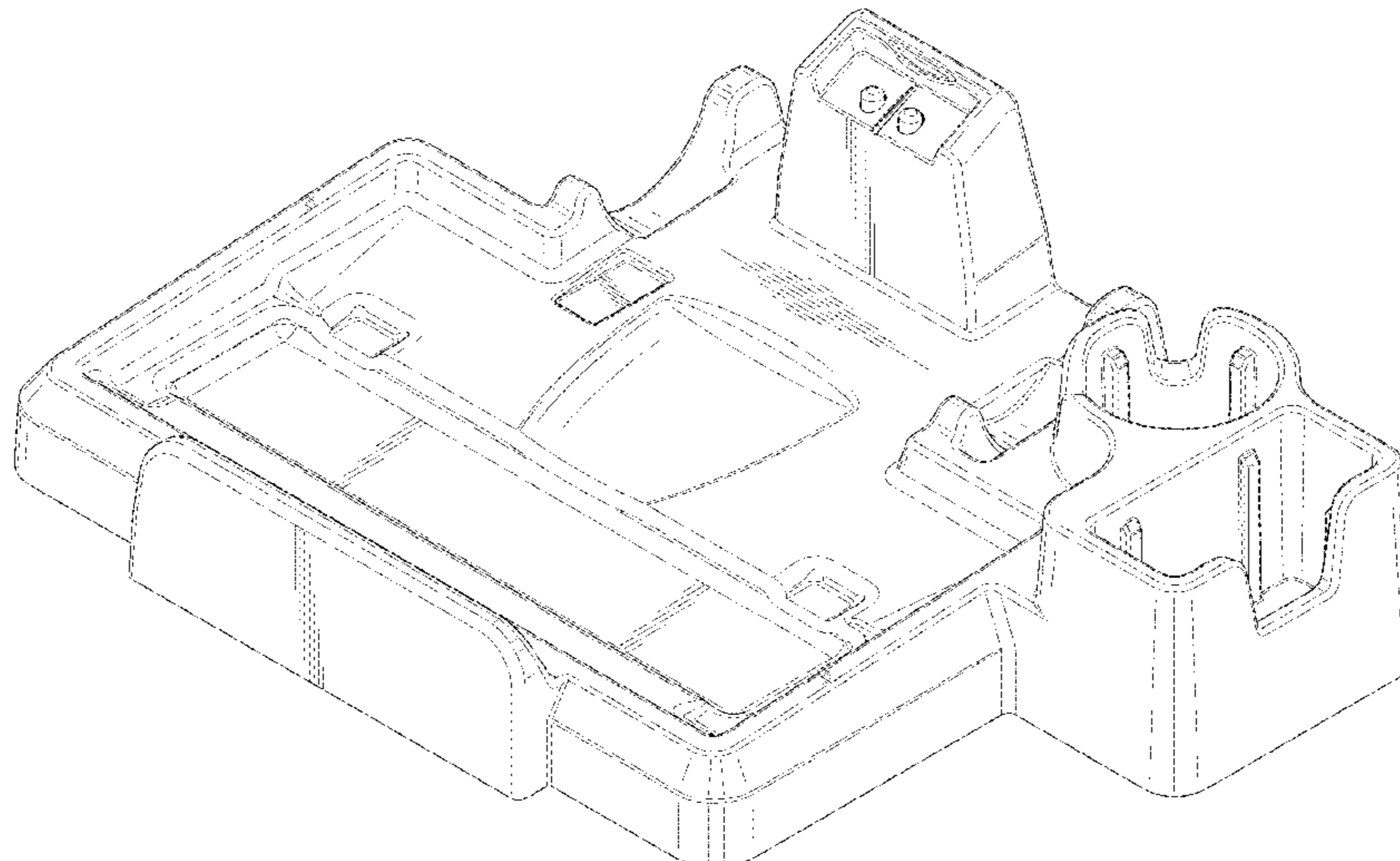
U.S. PATENT DOCUMENTS

DESCRIPTION

D504,893 S * 5/2005 Araki D14/434
D628,961 S * 12/2010 Kim D32/31
D636,726 S * 4/2011 Hiramura D13/108
D645,403 S * 9/2011 Seo D32/31
D712,827 S * 9/2014 Maeda D13/108
D780,762 S * 3/2017 Ju D14/434
D797,669 S * 9/2017 Chang D13/108
D809,232 S 1/2018 Wu
10,004,373 B2 * 6/2018 Hansen A47L 13/225
D844,617 S * 4/2019 Hühne D14/434
10,248,162 B1 * 4/2019 Cheng F16M 11/041
D847,739 S * 5/2019 Yun D13/108
D858,205 S * 9/2019 Manos D7/553.8
D865,769 S * 11/2019 Lu D14/434
D872,954 S * 1/2020 Rummel D32/25
D876,442 S * 2/2020 McCracken G06F 1/1632 D14/434

FIG. 1 is a front, right side perspective view of a tray for a floor cleaner showing our new design;
FIG. 2 is a front, left side perspective view thereof;
FIG. 3 is a front view thereof;
FIG. 4 is a rear view thereof;
FIG. 5 is a left side view thereof;
FIG. 6 is a right side view thereof;
FIG. 7 is a top view thereof; and,
FIG. 8 is a bottom view thereof.
The details of the tray for a floor cleaner shown in broken lines form no part of the claimed design.

1 Claim, 6 Drawing Sheets



(56)

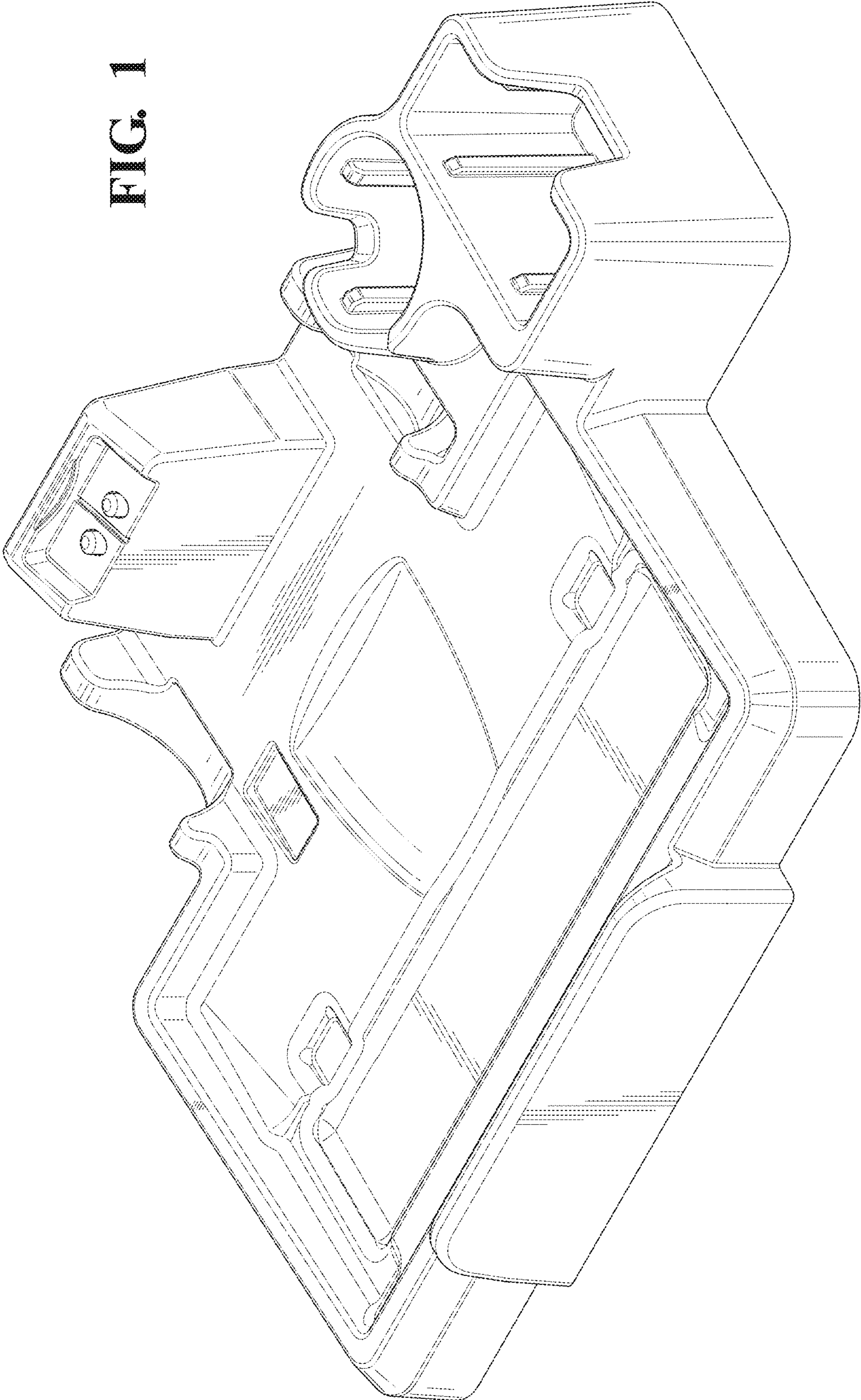
References Cited

U.S. PATENT DOCUMENTS

D911,643	S	2/2021	Miller et al.	
D923,891	S	6/2021	Knapp	
D928,436	S *	8/2021	Knapp	D32/31
D941,758	S *	1/2022	Abe	D13/108
D946,519	S *	3/2022	Gao	D13/108
D954,714	S *	6/2022	Lu	D14/434
11,439,283	B2 *	9/2022	Krebs	A47L 7/0052

* cited by examiner

FIG. 1



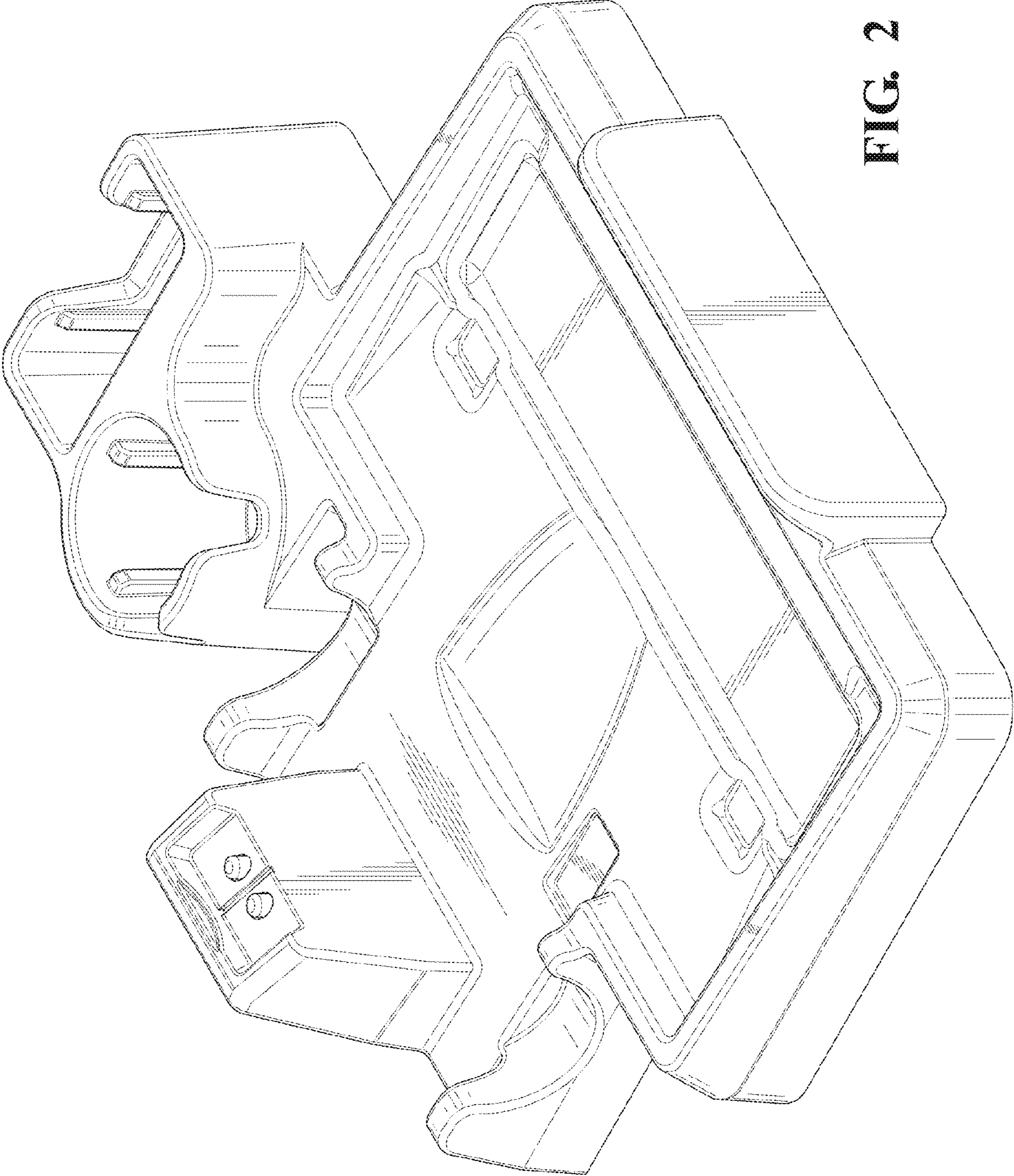


FIG. 2

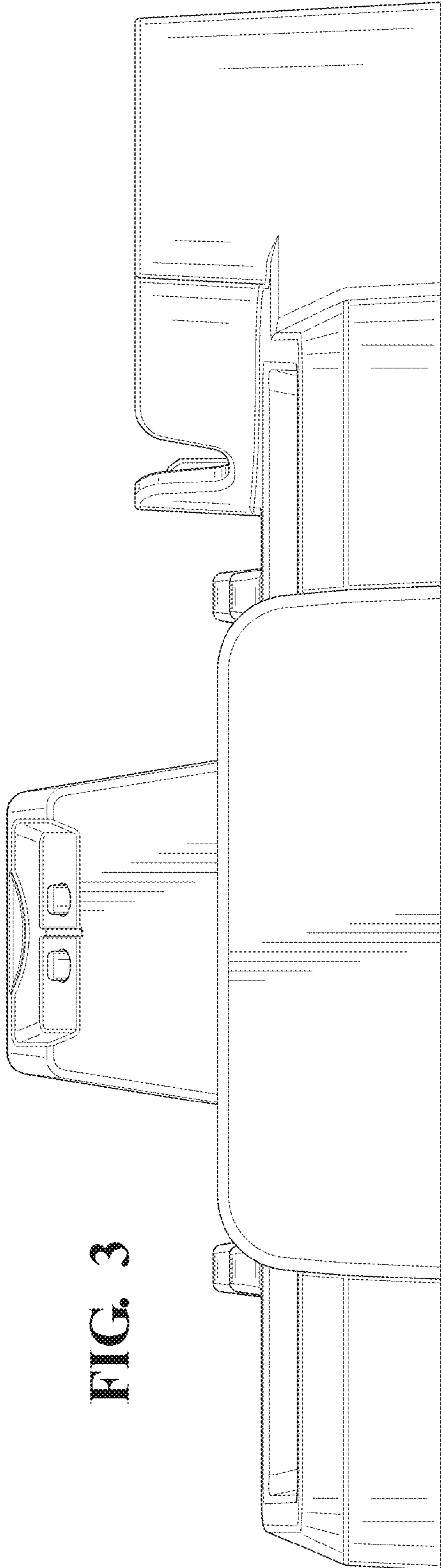


FIG. 3

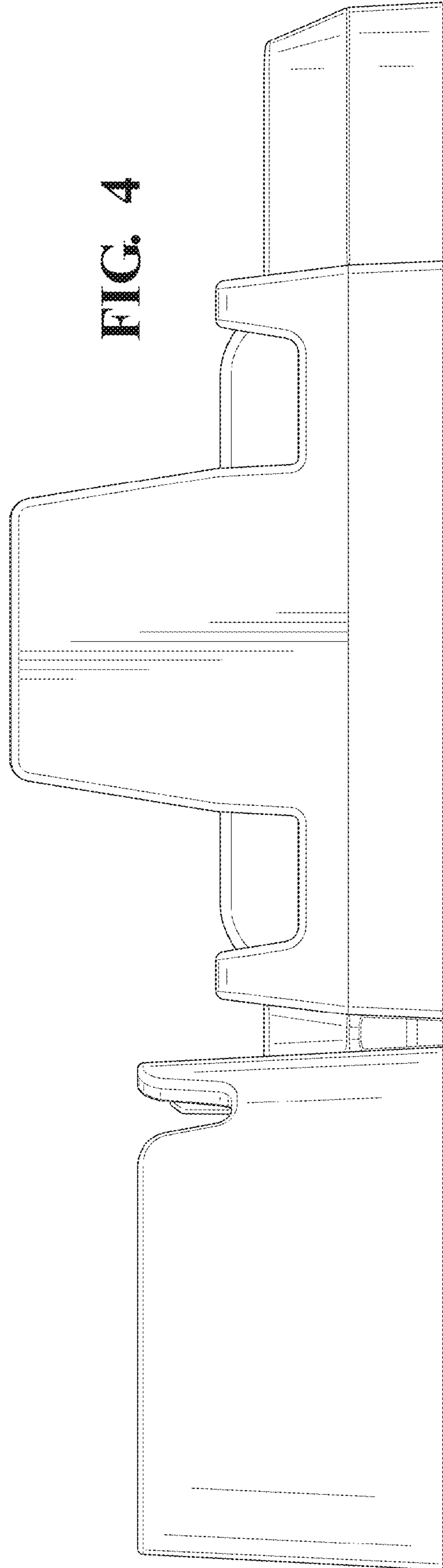


FIG. 4

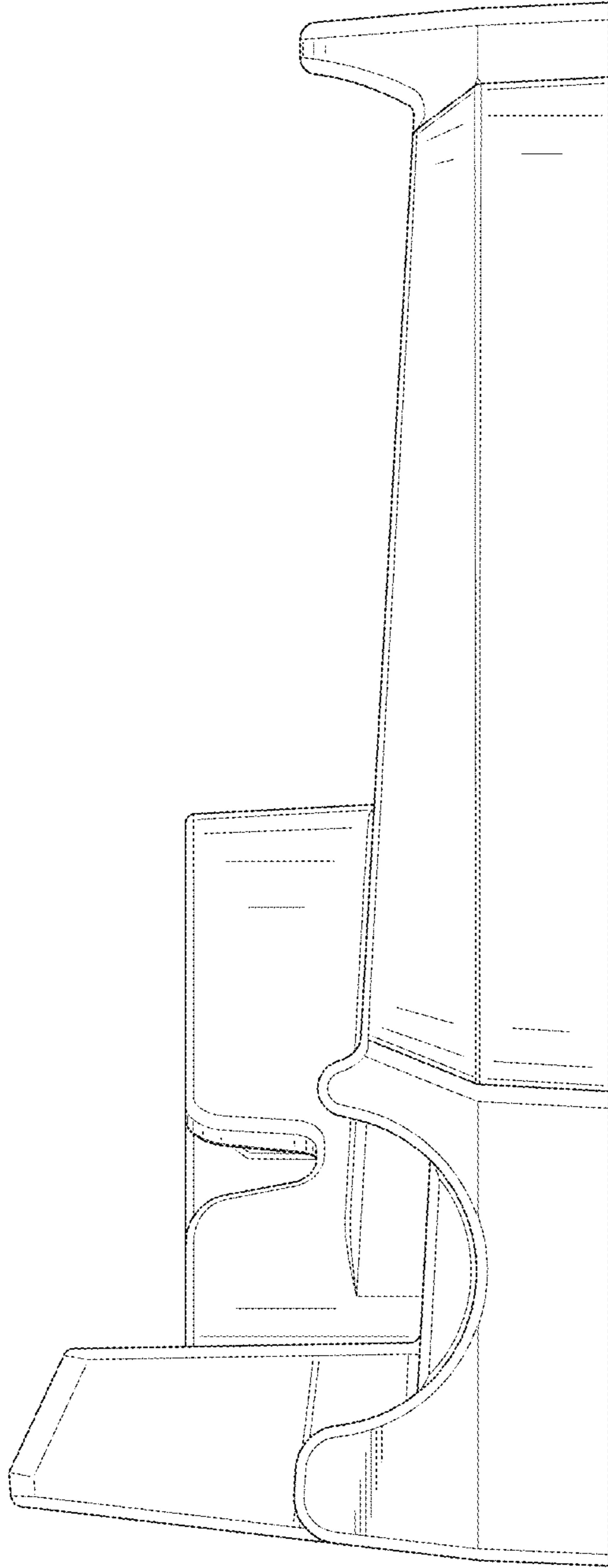


FIG. 5

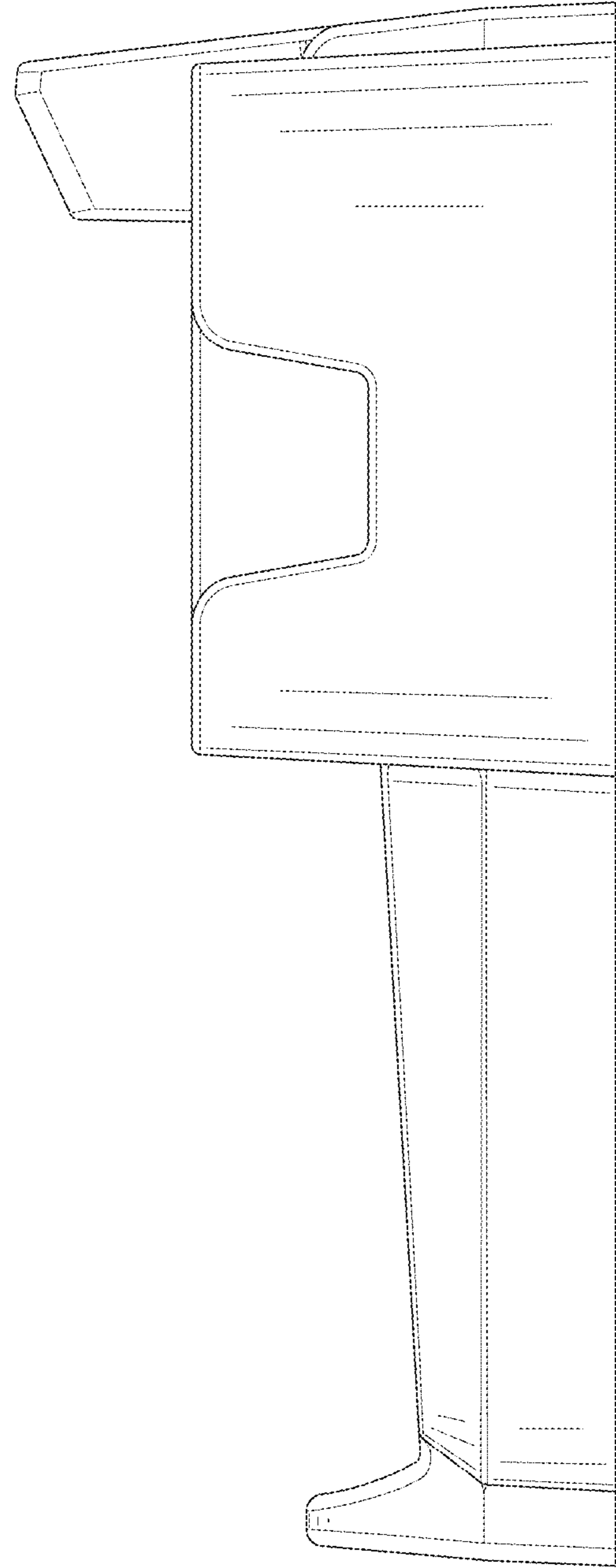


FIG. 6

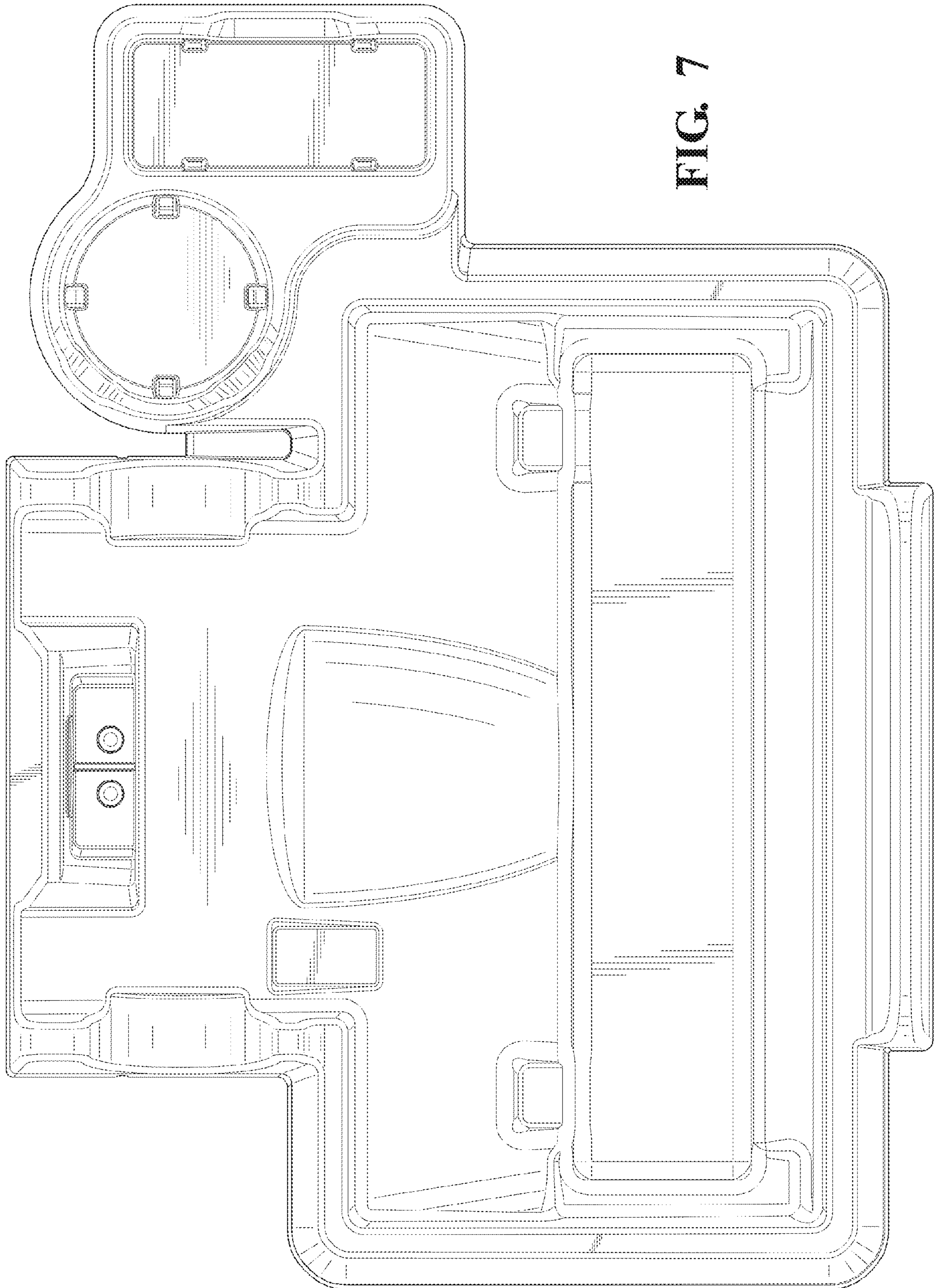


FIG. 7

FIG. 8

