



US00D979867S

(12) **United States Design Patent**
Douglas et al.

(10) **Patent No.:** **US D979,867 S**
(45) **Date of Patent:** **** Feb. 28, 2023**

(54) **FILTER FOR A VACUUM CLEANER**

(71) Applicant: **Dyson Technology Limited**, Wiltshire (GB)
(72) Inventors: **Philip Stephen Douglas**, Bristol (GB); **Simon Brian McNamee**, Bristol (GB); **Alexander Patrick Webster**, Bristol (GB); **Alexander Stuart Knox**, Swindon (GB); **Giles Ashbee**, Swindon (GB); **William Henry Kerr**, Bristol (GB); **Andrew Martin Mitchell**, Swindon (GB); **Ketan Patel**, Swindon (GB)

(73) Assignee: **Dyson Technology Limited**, Malmesbury (GB)

(**) Term: **15 Years**

(21) Appl. No.: **29/751,948**

(22) Filed: **Sep. 24, 2020**

(30) **Foreign Application Priority Data**

Mar. 25, 2020 (EM) 007771803-0003

(51) **LOC (14) Cl.** **15-05**

(52) **U.S. Cl.**
USPC **D32/31**

(58) **Field of Classification Search**
USPC D32/25, 30, 31, 32; D23/365; D15/5, D15/17, 72, 78, 138
CPC . A47L 7/0004; A47L 9/00; A47L 9/12; A47L 9/14; A47L 9/1409; A47L 9/1427; A47L 9/1454; A47L 9/1666; A47L 9/20; B01D 2279/55

See application file for complete search history.

(56) **References Cited**

U.S. PATENT DOCUMENTS

2,372,860 A * 4/1945 Stoner A47L 5/30 96/385
D149,368 S * 4/1948 Lippincott D32/31
2,594,458 A * 4/1952 La Briere A47L 9/1427 55/371

(Continued)

FOREIGN PATENT DOCUMENTS

KR 3011126730002 * 11/2021
KR 3011126730003 * 11/2021

OTHER PUBLICATIONS

Air Filter 88944151 For Hummer, available in Amazon.ca, date first available Aug. 1, 2019 [online], [site visited May 17, 2022], Available from the internet URL: https://www.amazon.ca/FILTER-88944151-HUMMER-2003-2009-15286805/dp/B07SPRRL9Y/ref=sr_1_7 (Year: 2019).*

(Continued)

Primary Examiner — Jennifer Rivard

Assistant Examiner — Jennylou M Binas

(74) *Attorney, Agent, or Firm* — Faegre Drinker Biddle & Reath LLP

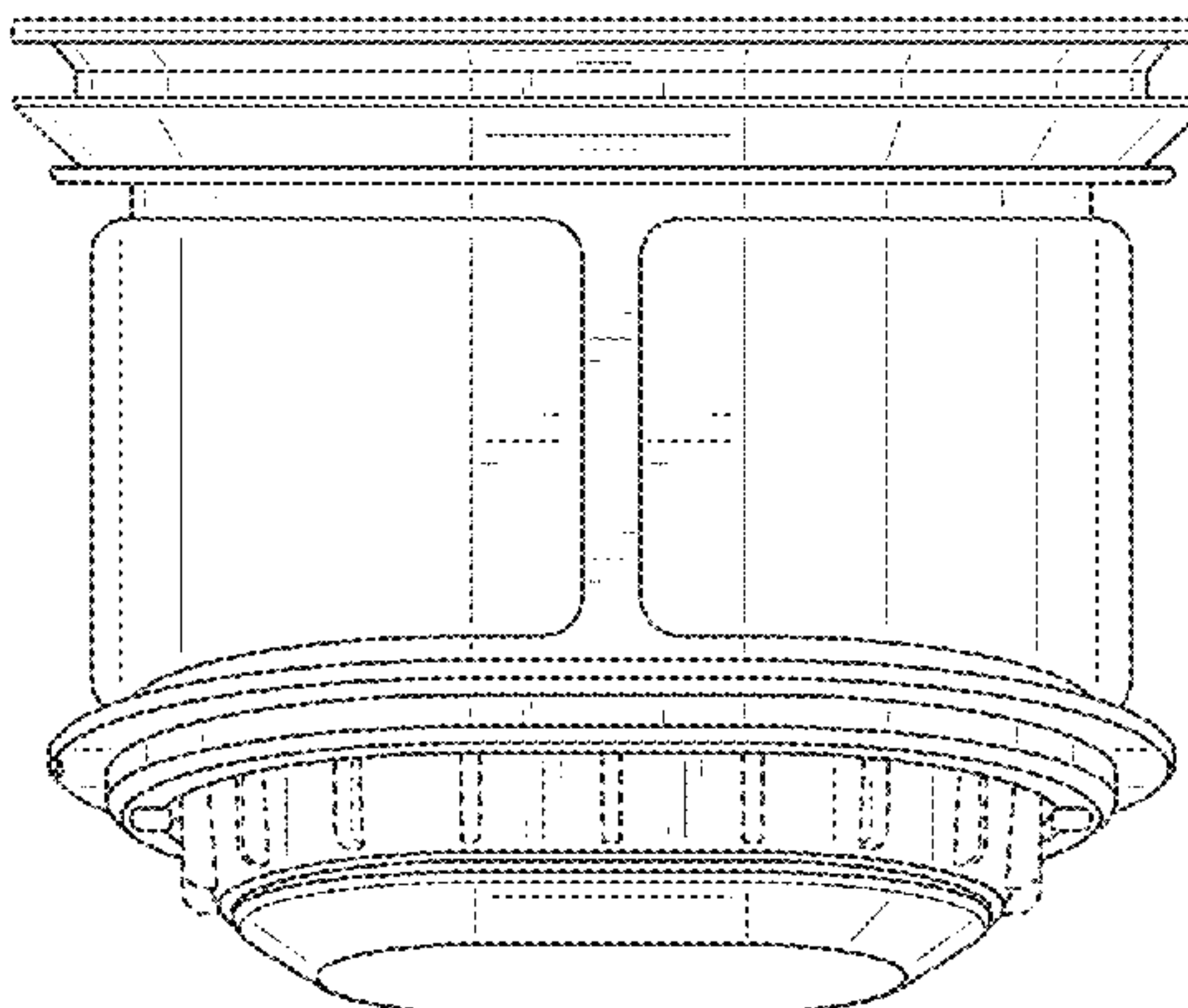
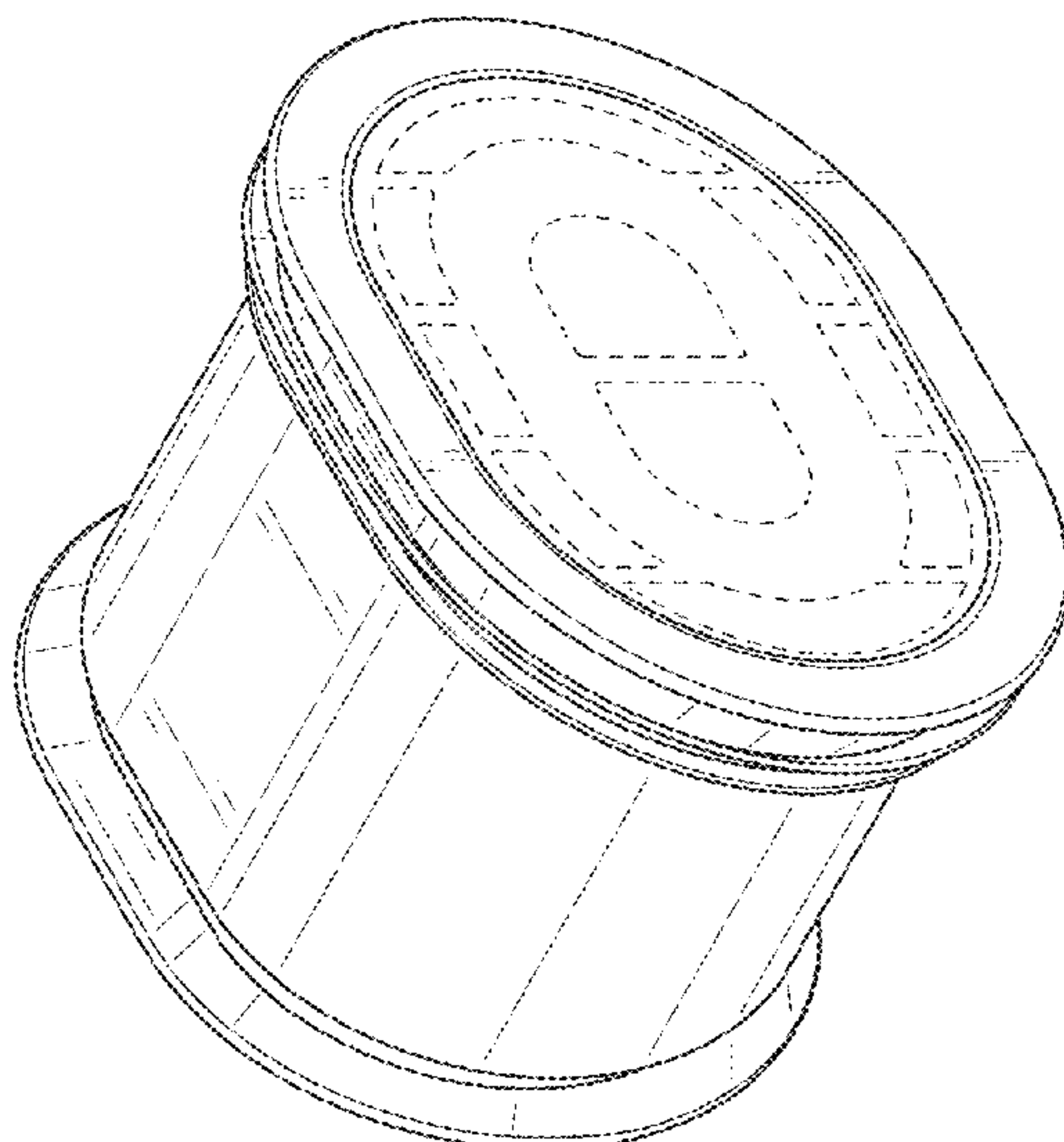
(57) **CLAIM**

We claim the ornamental design for a filter for a vacuum cleaner, as shown and described.

DESCRIPTION

FIG. 1 is a front perspective view of a filter for a vacuum cleaner showing our new design;
FIG. 2 is a top view thereof;
FIG. 3 is a bottom view thereof;
FIG. 4 is a front view thereof;
FIG. 5 is a rear view thereof;
FIG. 6 is a right side view thereof; and,
FIG. 7 is a left side view thereof.
The broken lines shown in the drawings illustrate portions of a filter for a vacuum cleaner that form no part of the claimed design.

1 Claim, 7 Drawing Sheets



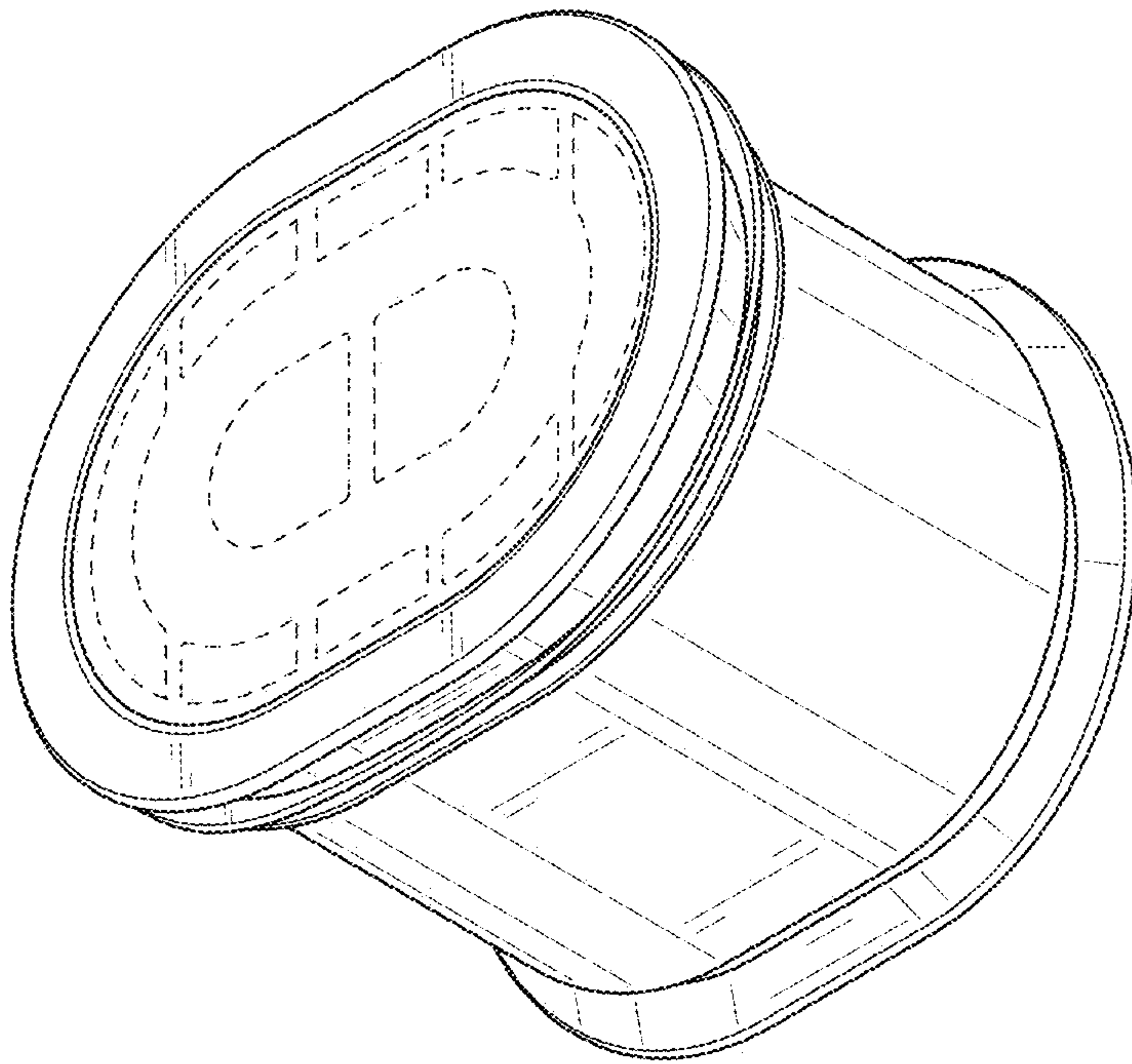


FIG. 1

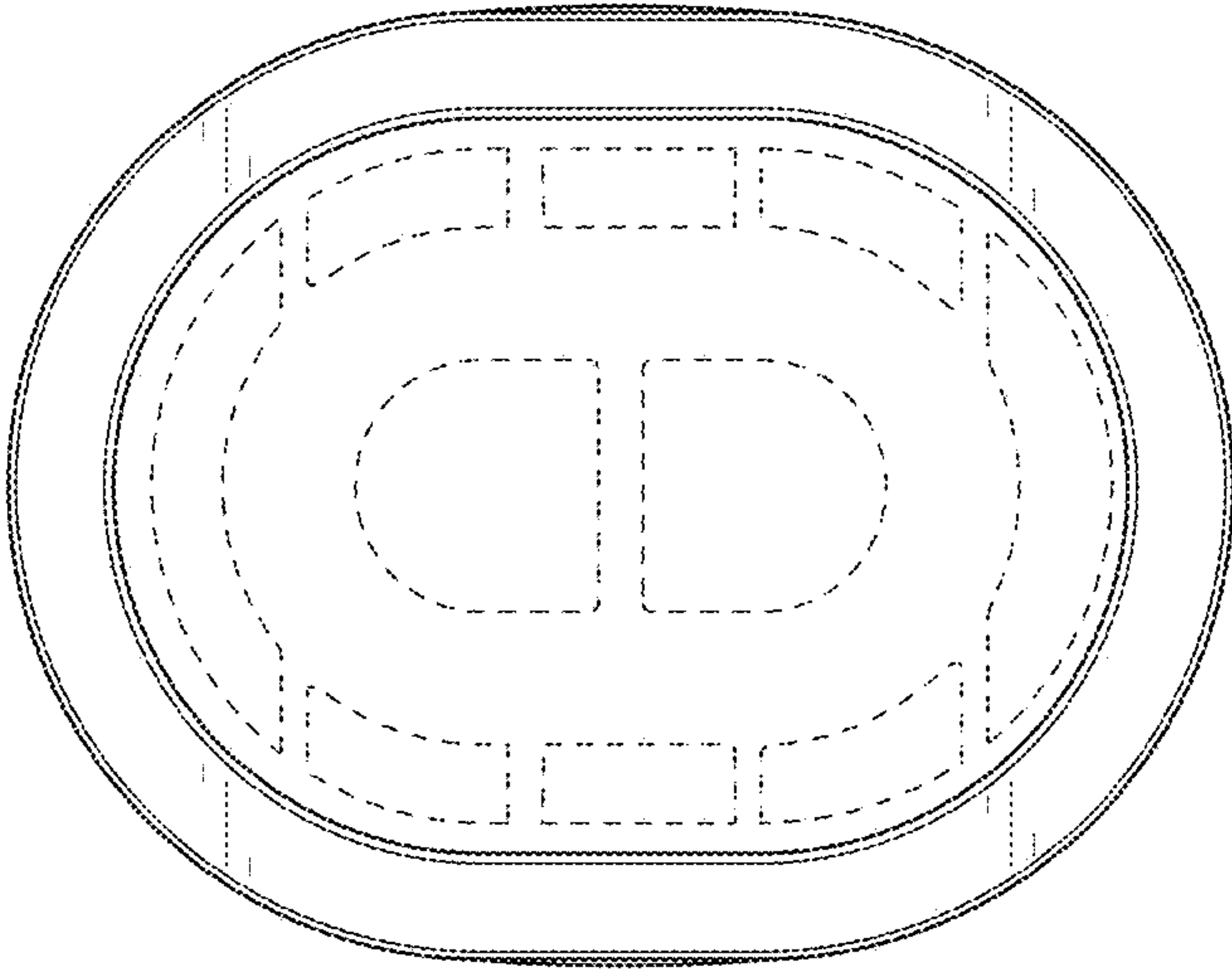


FIG. 2

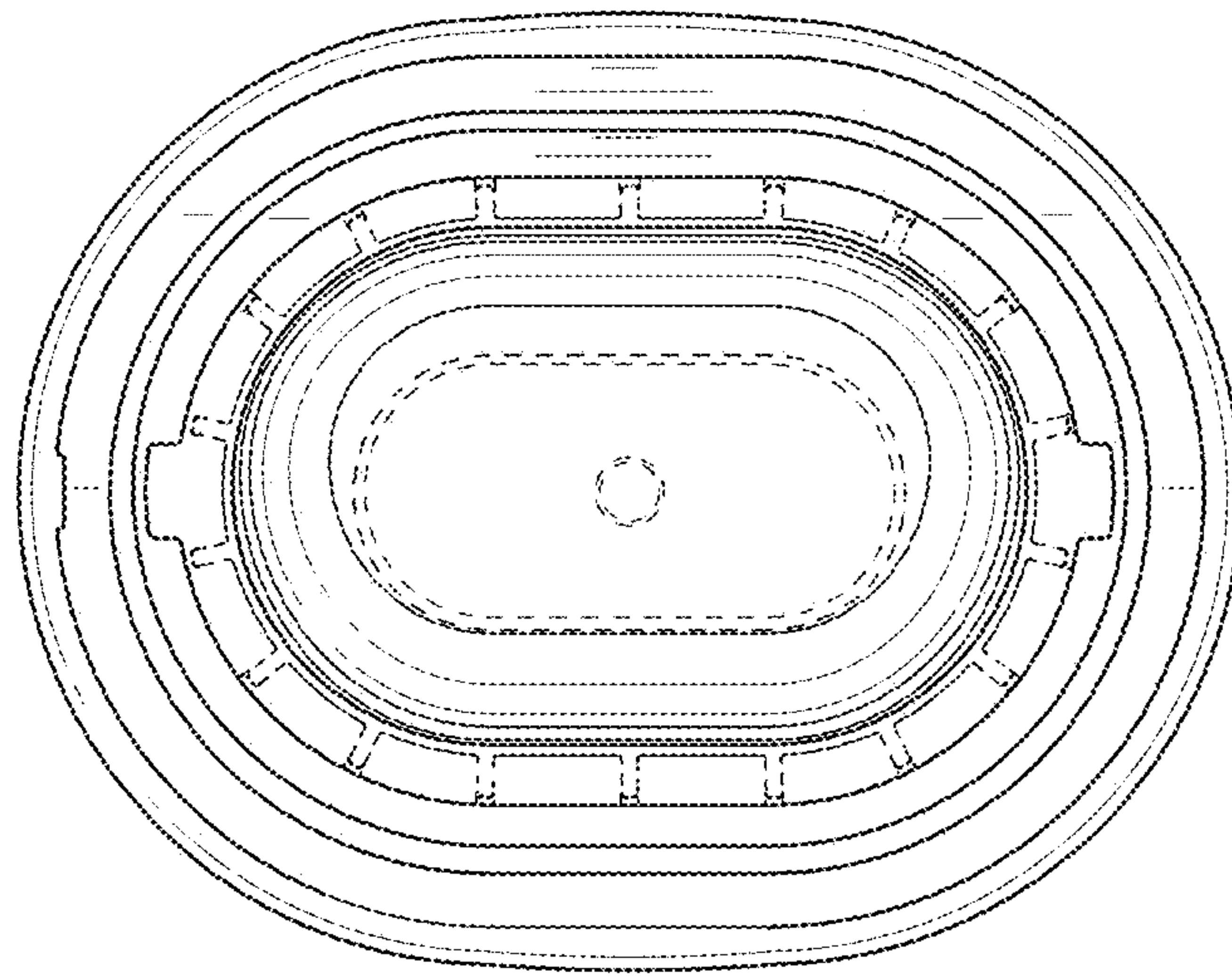


FIG. 3

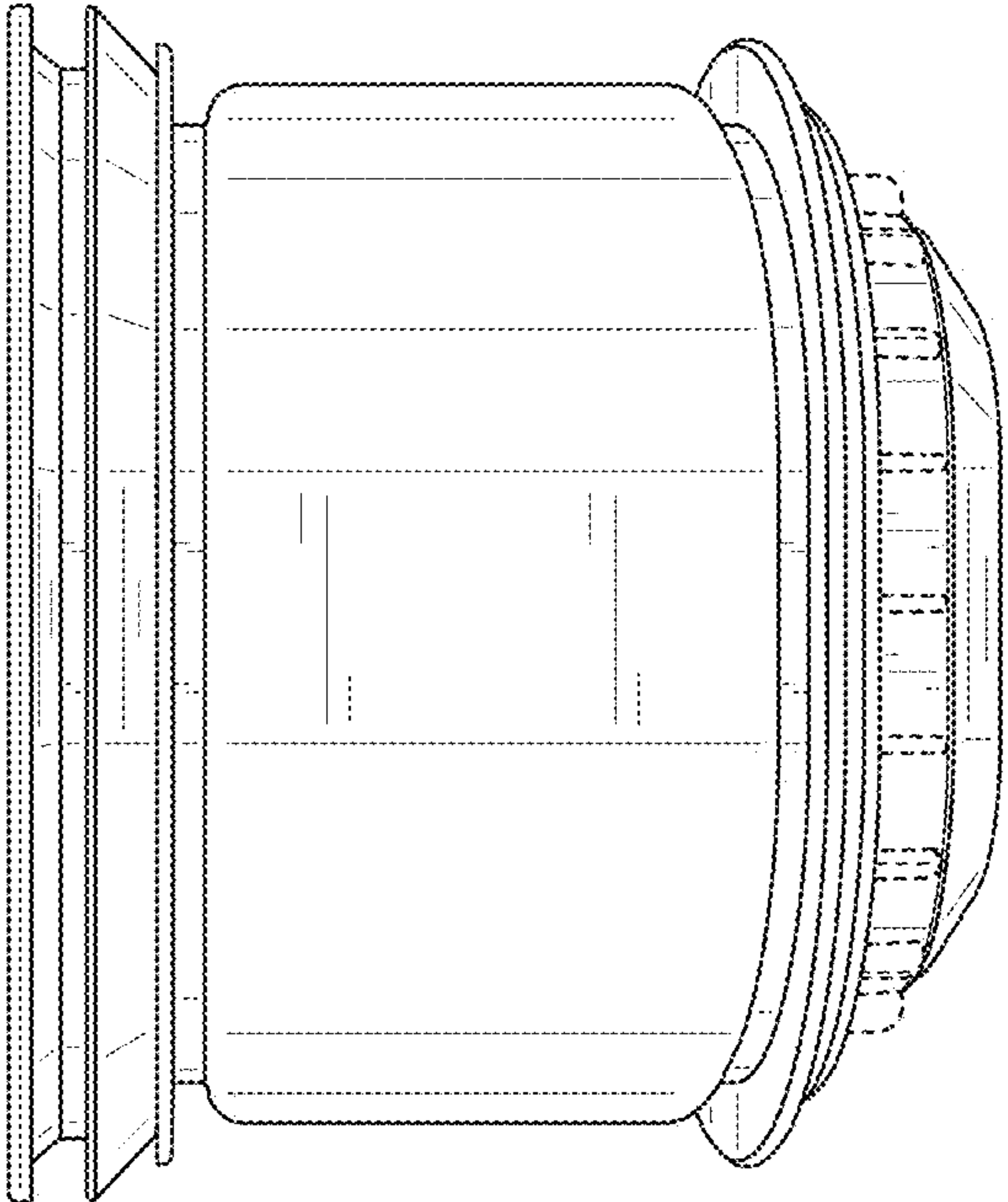


FIG. 4

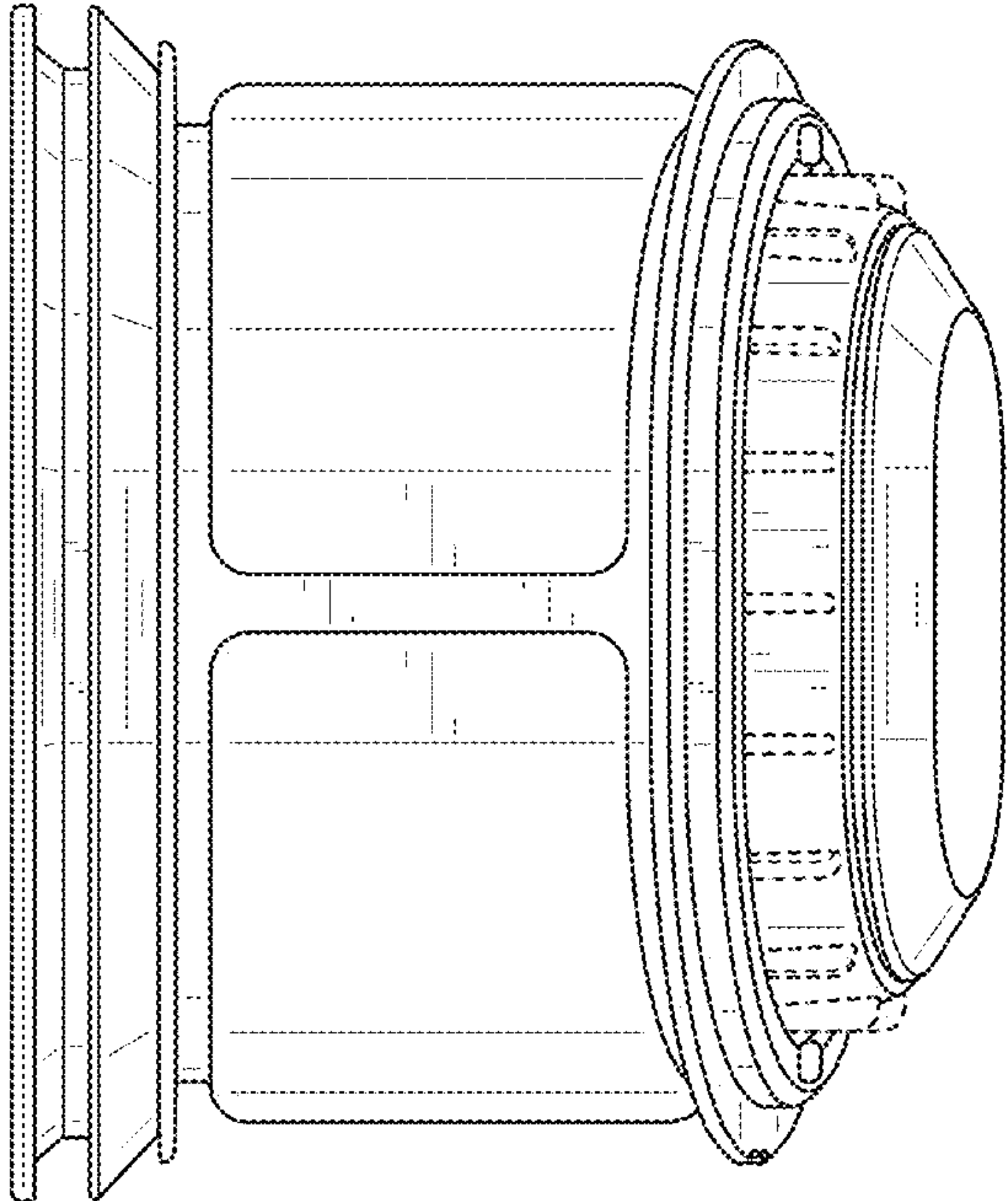


FIG. 5

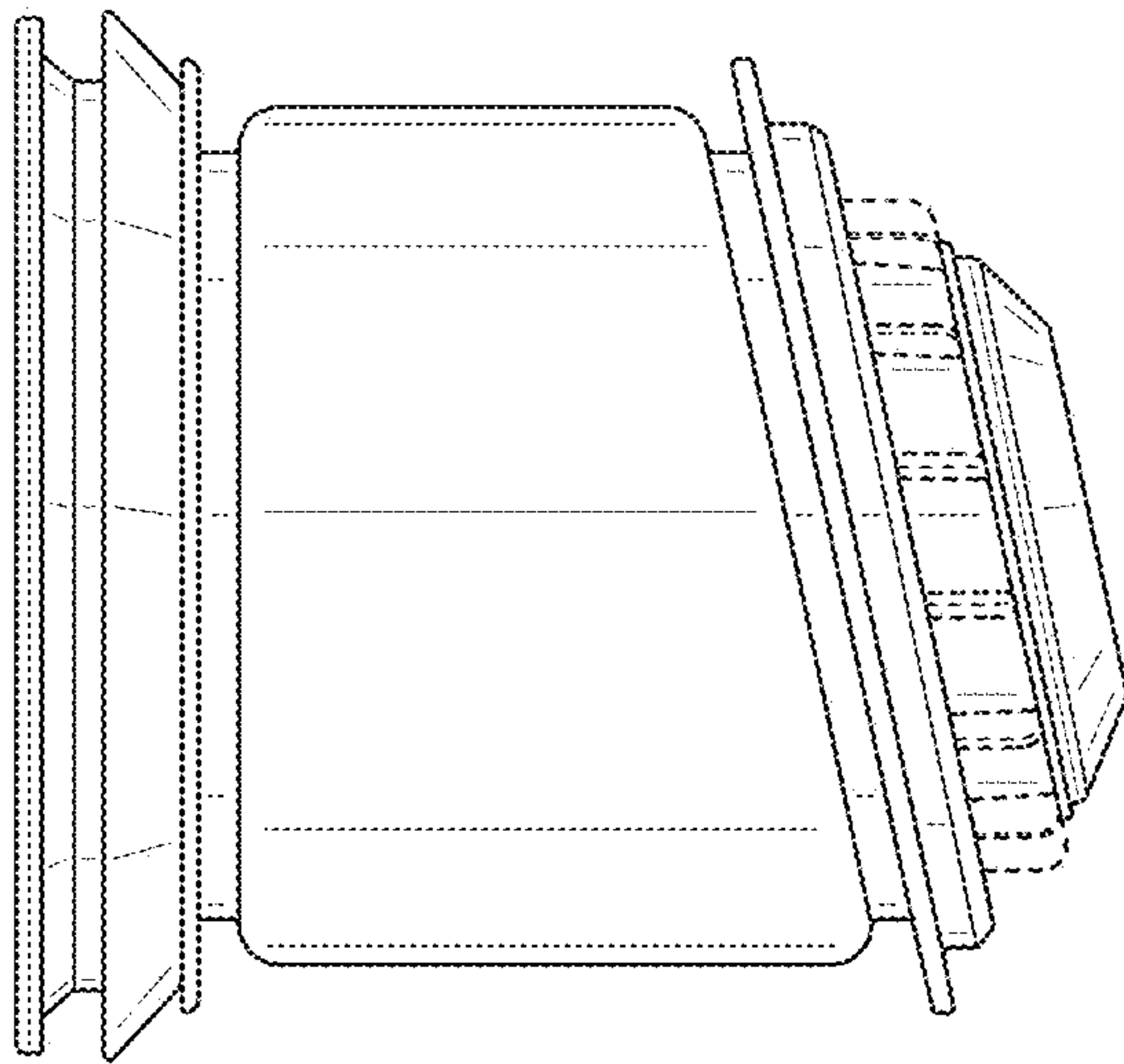


FIG. 6

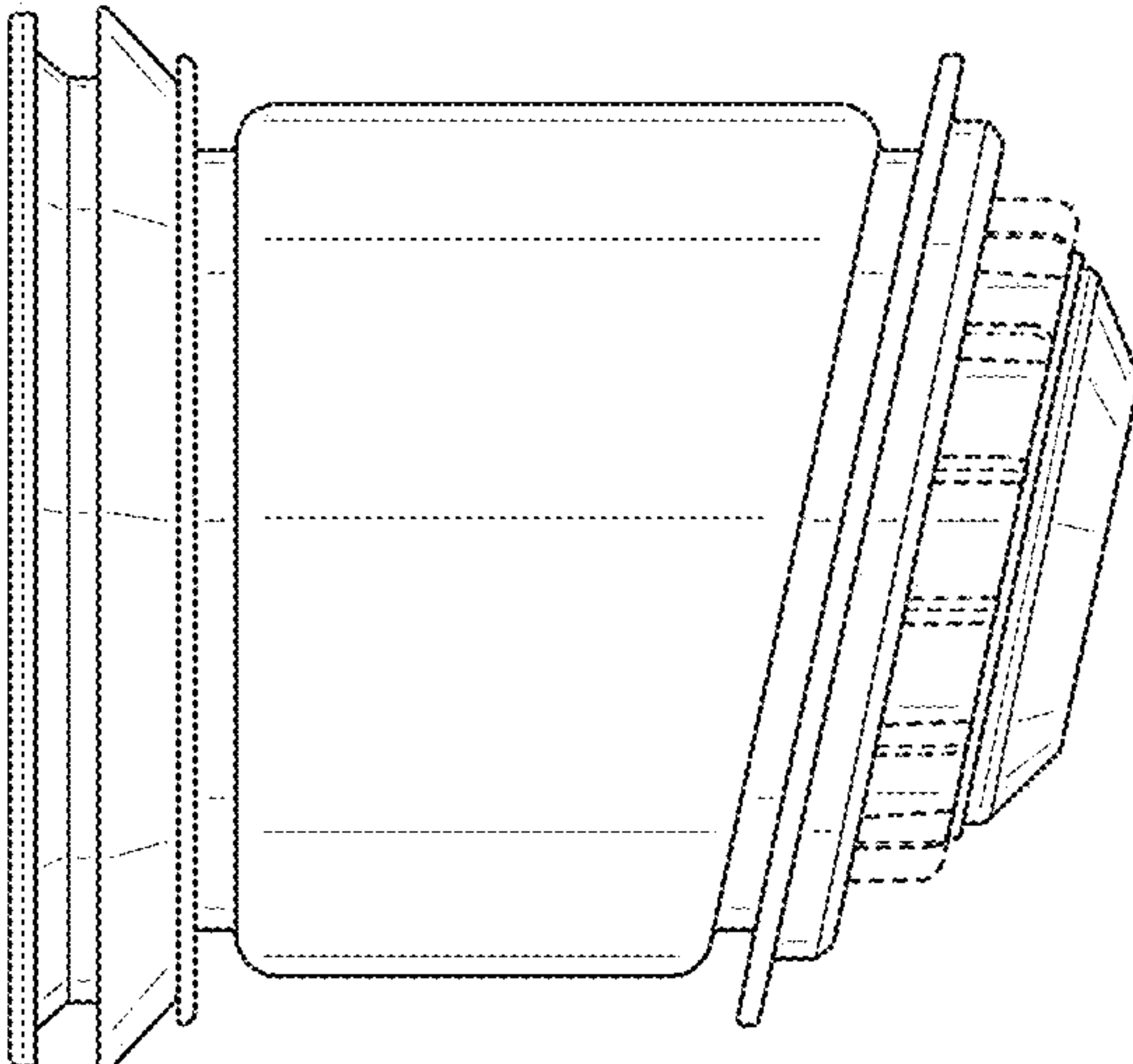


FIG. 7