



US00D979866S

(12) **United States Design Patent** (10) **Patent No.:** **US D979,866 S**  
**Thompson et al.** (45) **Date of Patent:** **\*\* Feb. 28, 2023**

(54) **BRUSH ROLL**

(71) Applicant: **SharkNinja Operating, LLC**,  
Needham, MA (US)

(72) Inventors: **Hamish Thompson**, Needham, MA (US); **Christopher J. Meyer-Rassow**, London (GB); **Aaron Gill**, Needham, MA (US); **Hongbo Lin**, Needham, MA (US); **Isaku D. Kamada**, Brighton, MA (US); **Daniel Harris**, Needham, MA (US); **Hung-Chen Yu**, Needham, MA (US); **Charles S. Brunner**, Stockton, NJ (US); **Xavier F. Cullere**, Newton, MA (US); **Maxwell Wood-Lee**, Brooklyn, NY (US); **Daniel R. Der Marderosian**, Westwood, MA (US); **Adam Udy**, Sutton (GB); **Steven Gacin**, Needham, MA (US)

(73) Assignee: **SHARKNINJA OPERATING LLC**,  
Needham, MA (US)

(\*\*) Term: **15 Years**

(21) Appl. No.: **29/695,078**

(22) Filed: **Jun. 14, 2019**

(51) **LOC (14) Cl.** ..... **15-05**

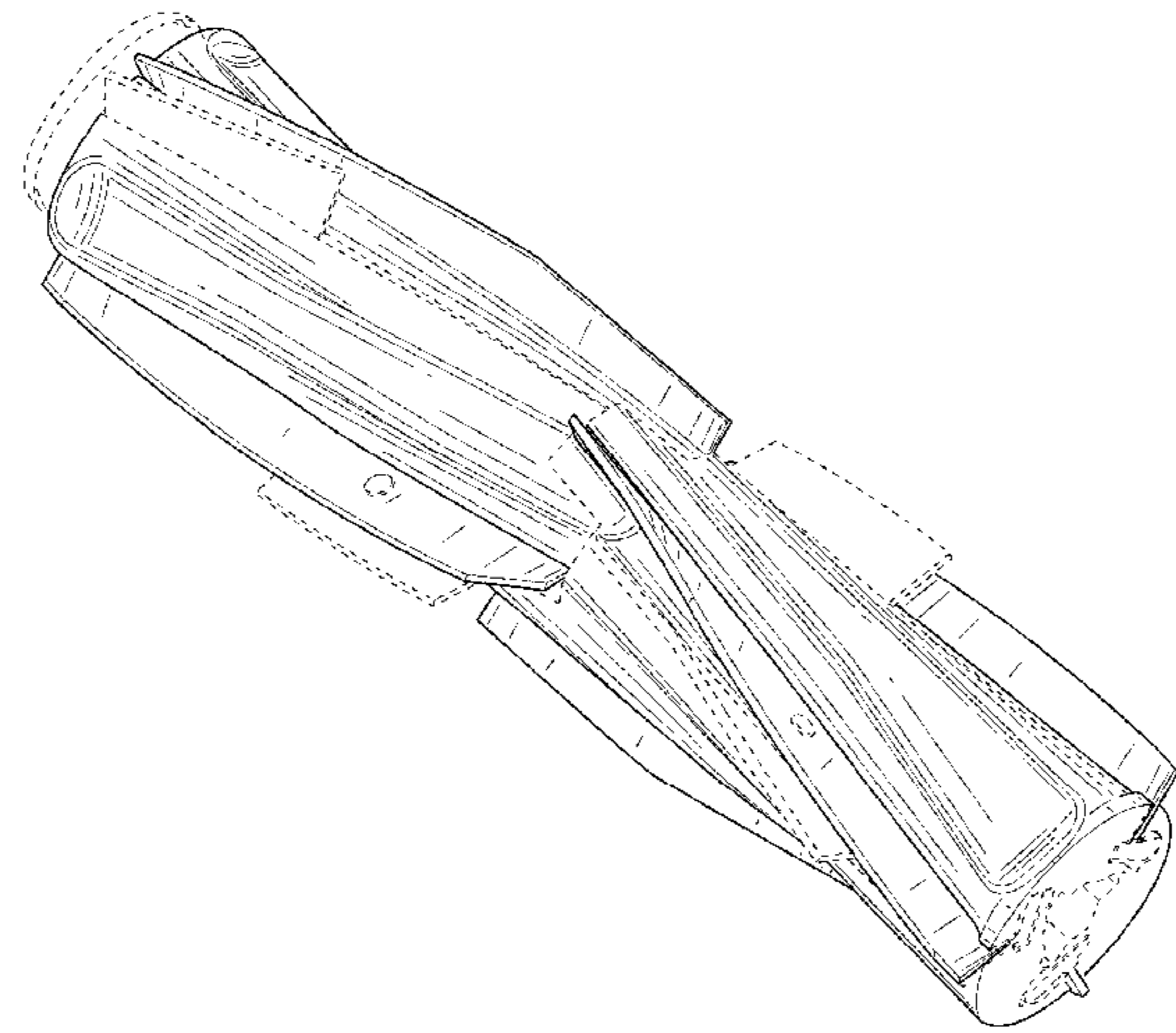
(52) **U.S. Cl.**  
USPC ..... **D32/31**

(58) **Field of Classification Search**  
USPC ..... D4/122, 127, 128, 131, 132, 133, 136;  
D32/31, 32, 33  
CPC . A47L 11/401; A47L 5/30; A47L 5/32; A47L 5/36; A47L 9/0477; A47L 9/24; A47L 9/242; A47L 9/248; F16L 11/04; F16L 11/11; F16L 11/15  
See application file for complete search history.

(56) **References Cited**  
U.S. PATENT DOCUMENTS

1,907,642 A \* 5/1933 Harrys ..... A47L 9/0477  
15/141.2  
1,919,067 A \* 7/1933 Lang ..... A47L 9/0477  
15/383

3,076,219 A \* 2/1963 Peterson ..... A46B 13/005  
15/179  
D222,702 S \* 12/1971 Schaefer ..... D32/31  
3,828,387 A \* 8/1974 Liebscher ..... A46B 13/00  
15/182  
4,177,536 A \* 12/1979 Powers ..... A47L 5/30  
15/182  
D292,604 S 11/1987 Seo  
D346,155 S 4/1994 More  
5,495,634 A \* 3/1996 Brundula ..... A47L 5/30  
15/179  
D431,698 S \* 10/2000 Hoshide ..... D32/31  
6,314,611 B1 \* 11/2001 Sauers ..... A47L 9/0455  
15/376  
D471,243 S 3/2003 Cioffi et al.  
D471,332 S \* 3/2003 Haegermarck ..... D32/31  
6,530,106 B1 \* 3/2003 Brundula ..... A46B 13/001  
15/179  
6,564,417 B2 \* 5/2003 Porat ..... A46B 13/001  
15/1.7  
D478,698 S \* 8/2003 Mertes ..... D32/31  
D510,066 S 9/2005 Hickey et al.  
D518,258 S \* 3/2006 Hamm ..... D32/31  
D524,495 S 7/2006 Ljunggren  
D548,902 S 8/2007 Chun et al.  
D548,903 S 8/2007 Chun et al.  
D556,961 S 12/2007 Swyst et al.  
D563,443 S 3/2008 Ahn et al.  
D579,035 S 10/2008 Kim et al.  
D586,959 S 2/2009 Geringer et al.  
D596,815 S 7/2009 Baek  
D602,215 S 10/2009 Ljunggren  
D616,085 S 5/2010 Moon et al.  
D617,966 S 6/2010 Lee et al.  
D625,059 S 10/2010 Morenstein et al.  
D625,060 S 10/2010 Morenstein et al.  
D625,062 S 10/2010 Morenstein et al.  
D625,477 S 10/2010 Morenstein et al.  
D629,827 S 12/2010 Morenstein et al.  
D639,237 S 6/2011 Lee et al.  
D639,351 S 6/2011 Newmayer et al.  
D639,735 S 6/2011 Lee et al.  
D640,194 S 6/2011 Kim et al.  
D645,403 S 9/2011 Seo et al.  
D647,265 S \* 10/2011 Follows ..... D32/31  
D658,341 S 4/2012 Nam et al.  
D659,311 S 5/2012 Geringer et al.  
D659,920 S 5/2012 Lee et al.  
D660,530 S 5/2012 Geringer et al.  
D661,032 S 5/2012 Lee et al.  
D661,439 S 6/2012 Lee et al.  
D661,440 S 6/2012 Lee et al.  
D665,547 S 8/2012 Nam et al.



# US D979,866 S

D670,458 S	11/2012	Seo et al.		D798,007 S	9/2017	Wo et al.
D670,877 S	11/2012	Geringer et al.		D801,923 S	11/2017	Minamide et al.
D672,928 S	12/2012	Swett		D807,599 S	1/2018	Nam et al.
D675,154 S	1/2013	Nam et al.		D808,096 S	1/2018	Yun et al.
D680,287 S *	4/2013	Morgan .....	D32/31	D808,099 S	1/2018	Yoo et al.
D680,289 S *	4/2013	Gray .....	D32/31	D809,115 S	1/2018	Morin
D682,362 S	5/2013	Mozeika		D809,219 S *	1/2018	Wright ..... A46B 5/02 D30/160
D682,495 S	5/2013	Kim et al.		D809,726 S	2/2018	Park et al.
D691,337 S	10/2013	Kim et al.		9,883,779 B2 *	2/2018	Kasper ..... A47L 9/0477
D691,553 S	10/2013	Deoksang et al.		D812,329 S	3/2018	Nam et al.
D698,310 S	1/2014	Yun et al.		D813,958 S	3/2018	Dooley et al.
D699,010 S *	2/2014	Gilbert, Jr. ....	D32/31	D816,284 S	4/2018	Lee et al.
D700,758 S	3/2014	Jeong et al.		D818,225 S	5/2018	Nam et al.
D703,397 S	4/2014	Sungkyung et al.		D818,226 S	5/2018	Nam et al.
D704,400 S	5/2014	Shin et al.		9,955,839 B2	5/2018	Maoro et al.
D715,504 S	10/2014	Deoksang et al.		D826,389 S	8/2018	Morin
D716,510 S *	10/2014	Gilbert, Jr. ....	D32/31	D827,233 S	8/2018	Nam et al.
D718,008 S	11/2014	Hwan-Woong et al.		D828,660 S	9/2018	Jang et al.
D720,103 S	12/2014	Haug et al.		D828,663 S	9/2018	Yun et al.
D720,510 S	12/2014	Shin et al.		D829,396 S	9/2018	Shin
D720,511 S	12/2014	Shin et al.		D832,328 S	10/2018	Baek et al.
D728,877 S *	5/2015	Therrien .....	D32/31	D833,094 S	11/2018	Nam et al.
D732,096 S	6/2015	Jang et al.		D833,096 S	11/2018	Breheny et al.
D734,576 S	7/2015	Dooley et al.		D834,274 S	11/2018	Nam et al.
D734,907 S	7/2015	Dooley et al.		D835,693 S	12/2018	Lee et al.
D735,258 S	7/2015	Jang et al.		D836,690 S	12/2018	Kim
D737,006 S	8/2015	Heck et al.		D841,268 S *	2/2019	Ebrahimi Afrouzi ..... D32/31
D737,008 S	8/2015	Cheon et al.		D843,733 S *	3/2019	Chavana, Jr. .... D4/128
D738,585 S	9/2015	Dooley et al.		D850,039 S *	5/2019	Dou ..... D32/31
D742,112 S	11/2015	Heck et al.		D852,860 S	7/2019	Lee
D743,644 S	11/2015	Heck et al.		D852,861 S	7/2019	Lee
D743,645 S	11/2015	Lee		D855,333 S *	8/2019	Ando ..... D4/128
D743,647 S	11/2015	Heck et al.		D860,558 S	9/2019	Lee et al.
D744,181 S	11/2015	Cheon et al.		D860,560 S	9/2019	Lee et al.
D744,183 S	11/2015	Cheon et al.		D860,561 S	9/2019	Lee et al.
D744,706 S	12/2015	Heck et al.		D878,692 S *	3/2020	Bosyj ..... D32/31
D744,708 S	12/2015	Cheon et al.		D914,307 S *	3/2021	Weis ..... D32/31
D744,709 S	12/2015	Cheon et al.		D924,511 S *	7/2021	Weis ..... D32/31
D745,233 S	12/2015	Choi et al.		11,109,727 B2 *	9/2021	Burbank ..... A47L 9/0411
D745,757 S	12/2015	Choi et al.		2008/0244852 A1 *	10/2008	Alton ..... A46B 13/02 15/179
D746,005 S	12/2015	Cheon et al.		2017/0311767 A1 *	11/2017	Fang ..... A47L 11/19
D747,052 S *	1/2016	Therrien .....	D32/31	2018/0168417 A1 *	6/2018	Goddard ..... A47L 11/24
D748,878 S	2/2016	Dooley et al.		2019/0122914 A1 *	4/2019	Eckstein ..... H01L 21/67057
D751,260 S	3/2016	Kim et al.		2019/0145459 A1 *	5/2019	Magnusson ..... F16C 41/001 384/548
D751,777 S	3/2016	Cheon et al.		2019/0307302 A1 *	10/2019	Zheng ..... A47L 9/0477
D752,300 S	3/2016	Cheon et al.				
D754,315 S	4/2016	Morin				
D759,586 S	6/2016	Swett et al.				
D759,591 S	6/2016	Swett et al.				
D761,507 S	7/2016	Heck et al.				
D771,332 S	11/2016	Verhoorn et al.				
D771,333 S	11/2016	Verhoorn				
9,483,055 B2	11/2016	Johnson et al.				
D774,258 S	12/2016	Kim et al.				
D774,263 S	12/2016	Reichel et al.				
D774,717 S	12/2016	Choi et al.				
D775,990 S	1/2017	White et al.				
D775,991 S	1/2017	White et al.				
D776,378 S	1/2017	Blouin et al.				
D778,017 S	1/2017	Park et al.				
D778,514 S	2/2017	Park et al.				
D778,515 S	2/2017	Choi et al.				
D779,750 S	2/2017	Choi et al.				
D781,512 S	3/2017	Neumann et al.				
D782,136 S	3/2017	Bu et al.				
D782,139 S	3/2017	Dooley et al.				
D782,412 S	3/2017	Kim et al.				
D782,760 S	3/2017	Bu et al.				
D783,911 S	4/2017	Bu et al.				
D784,640 S	4/2017	Verhoorn				
D785,259 S	4/2017	Wo et al.				
D785,261 S	4/2017	Choi et al.				
D785,262 S	4/2017	Choi et al.				
D785,879 S	5/2017	Bu et al.				
D785,883 S *	5/2017	Wennerstrom .....	D32/31			
D790,141 S	6/2017	Verhoorn				
D790,785 S *	6/2017	Courtney .....	D32/31			
D796,134 S *	8/2017	LaBarbera .....	D32/31			
D796,757 S	9/2017	Verhoorn et al.				

## FOREIGN PATENT DOCUMENTS

KR 301093101.0000 \* 1/2021 ..... 15/5

## OTHER PUBLICATIONS

U.S. Appl. No. 29/695,072 filed at the United States Patent and Trademark Office, Jun. 14, 2019, 29 pages.

\* cited by examiner

*Primary Examiner* — Kevin K Rudzinski  
*Assistant Examiner* — Richard E Yenchsky  
 (74) *Attorney, Agent, or Firm* — Grossman, Tucker, Perreault & Pflieger, PLLC

## (57) CLAIM

The ornamental design for a brush roll, as shown and described.

## DESCRIPTION

FIG. 1 is a front view of a brush roll, showing the new design;  
 FIG. 2 is a rear view thereof;

FIG. 3 is a top view thereof;  
FIG. 4 is a bottom view thereof;  
FIG. 5 is a right view thereof;  
FIG. 6 is a left view thereof;  
FIG. 7 is a front, top left perspective view thereof;  
FIG. 8 is a front, bottom left perspective view thereof;  
FIG. 9 is a bottom, left, rear perspective view thereof;  
FIG. 10 is a rear, top left perspective view thereof;  
FIG. 11 is a front, top right perspective view thereof;  
FIG. 12 is a front, bottom right perspective view thereof;  
FIG. 13 is a bottom, right, rear perspective view thereof;  
and,  
FIG. 14 is a rear, top right perspective view thereof.  
The broken lines in the figures show portions of the brush  
roll that form no part of the claimed design.

**1 Claim, 11 Drawing Sheets**

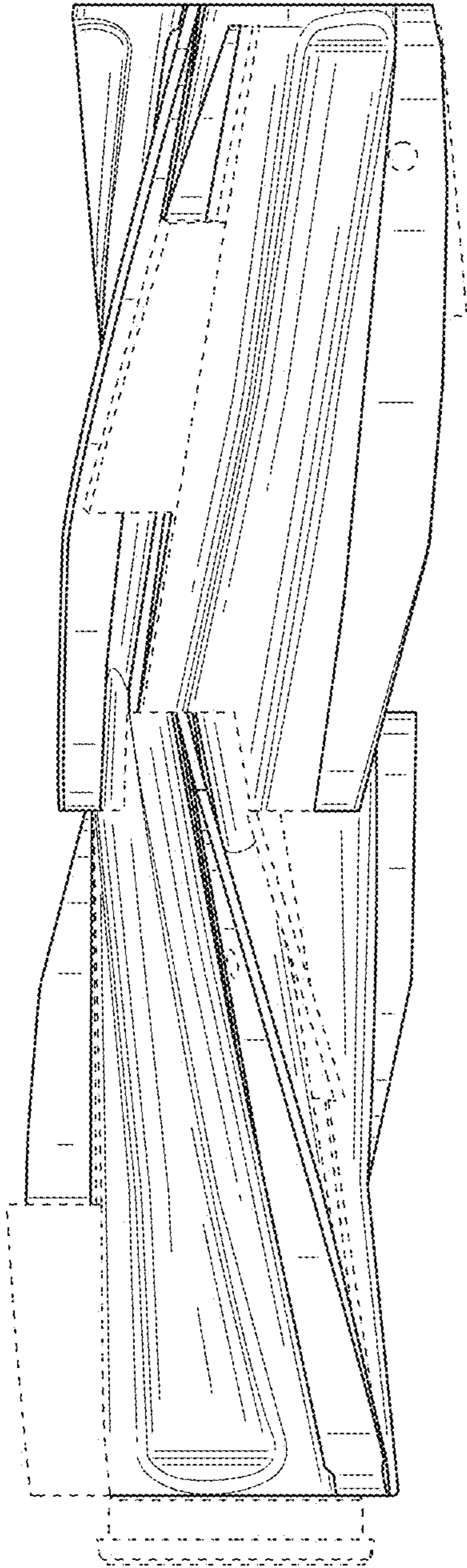


FIG. 1

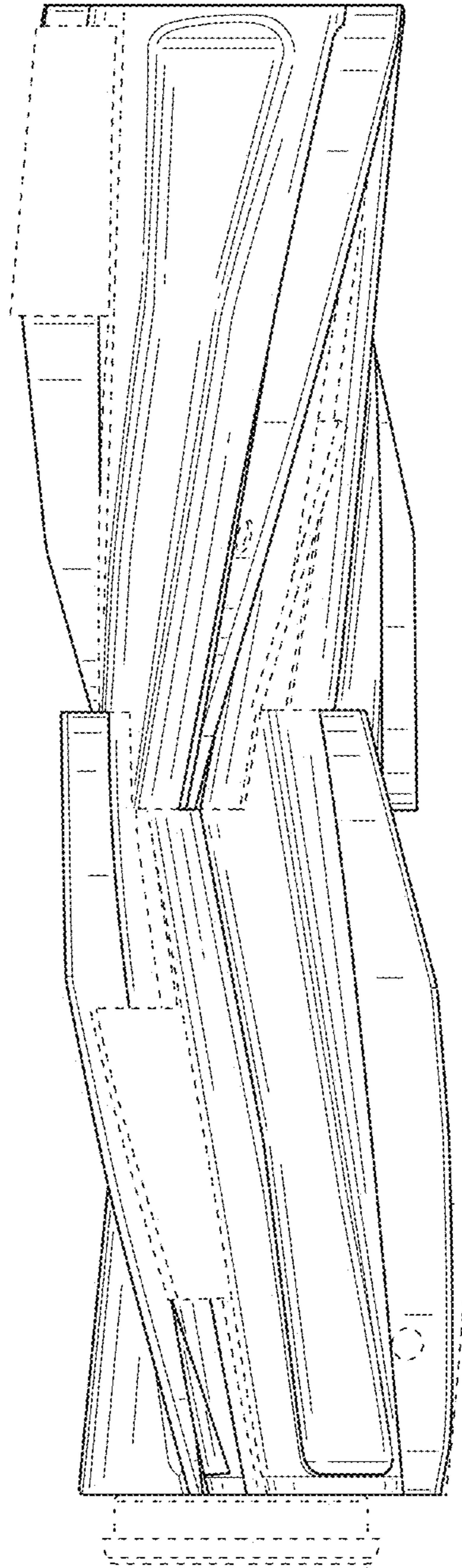


FIG. 2

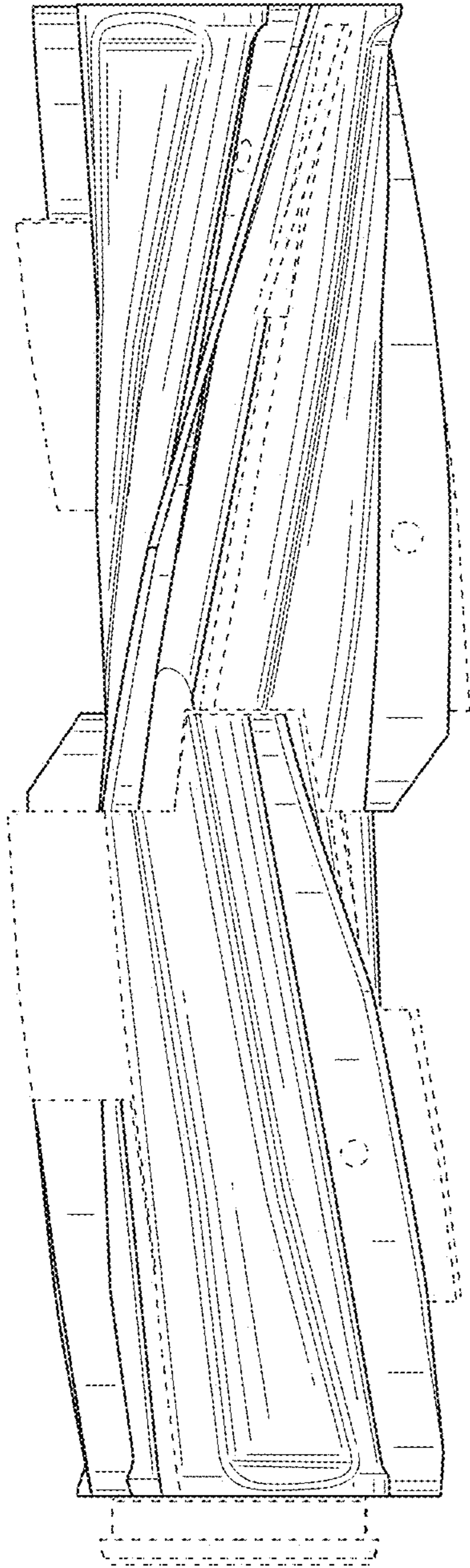


FIG. 3

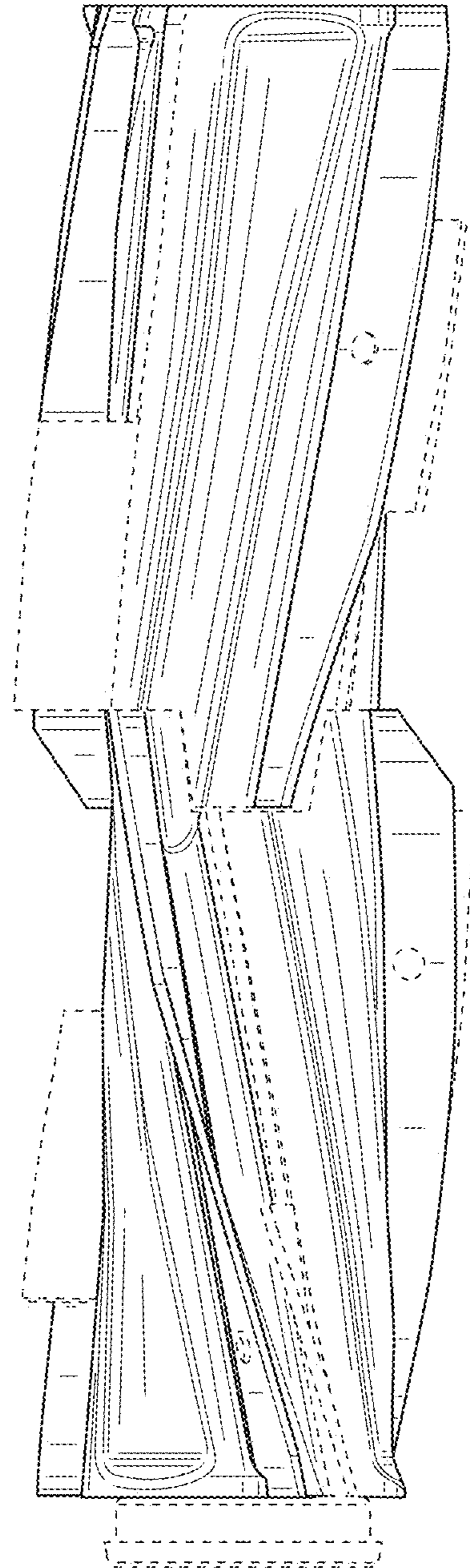


FIG. 4

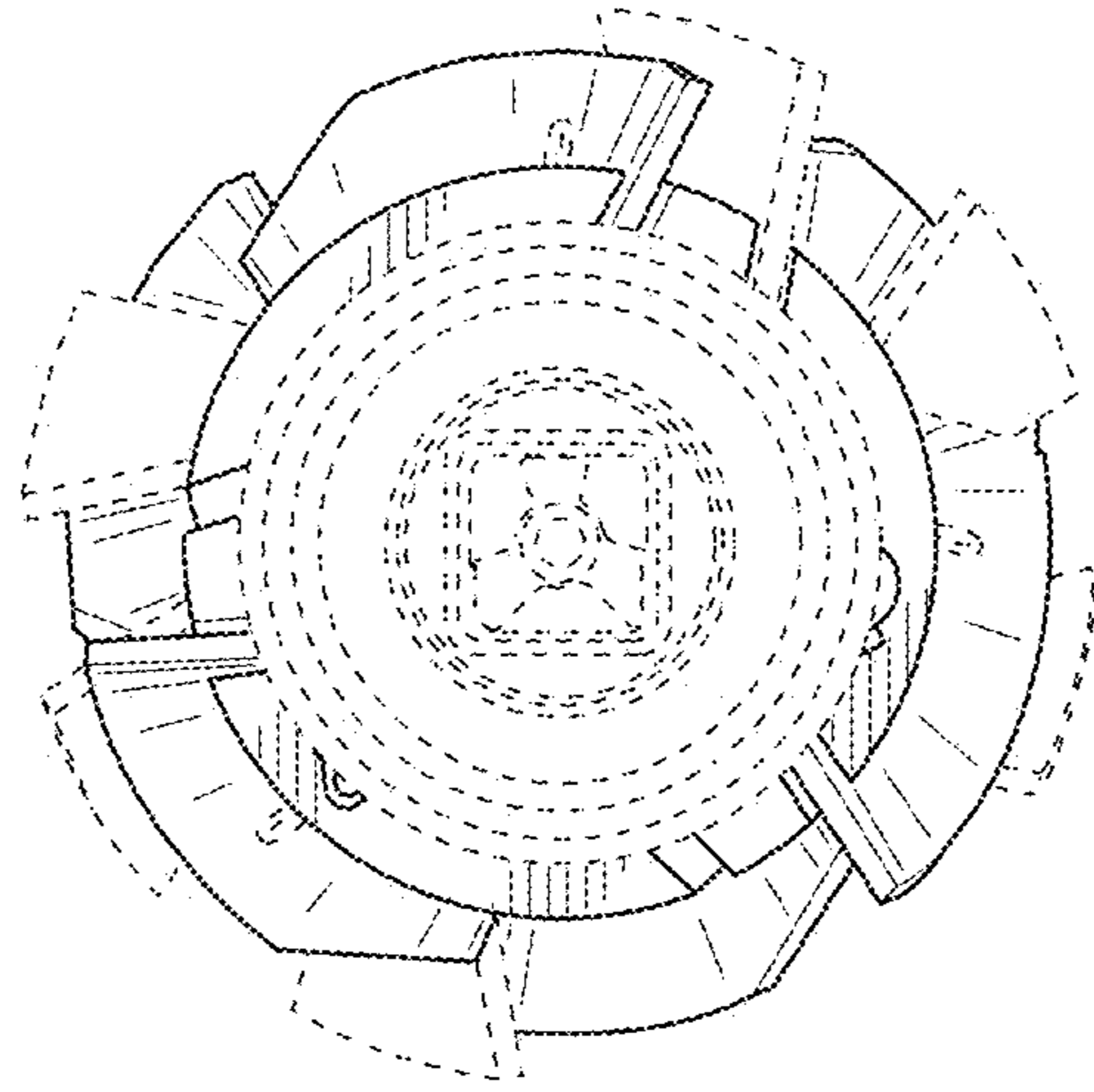


FIG. 5

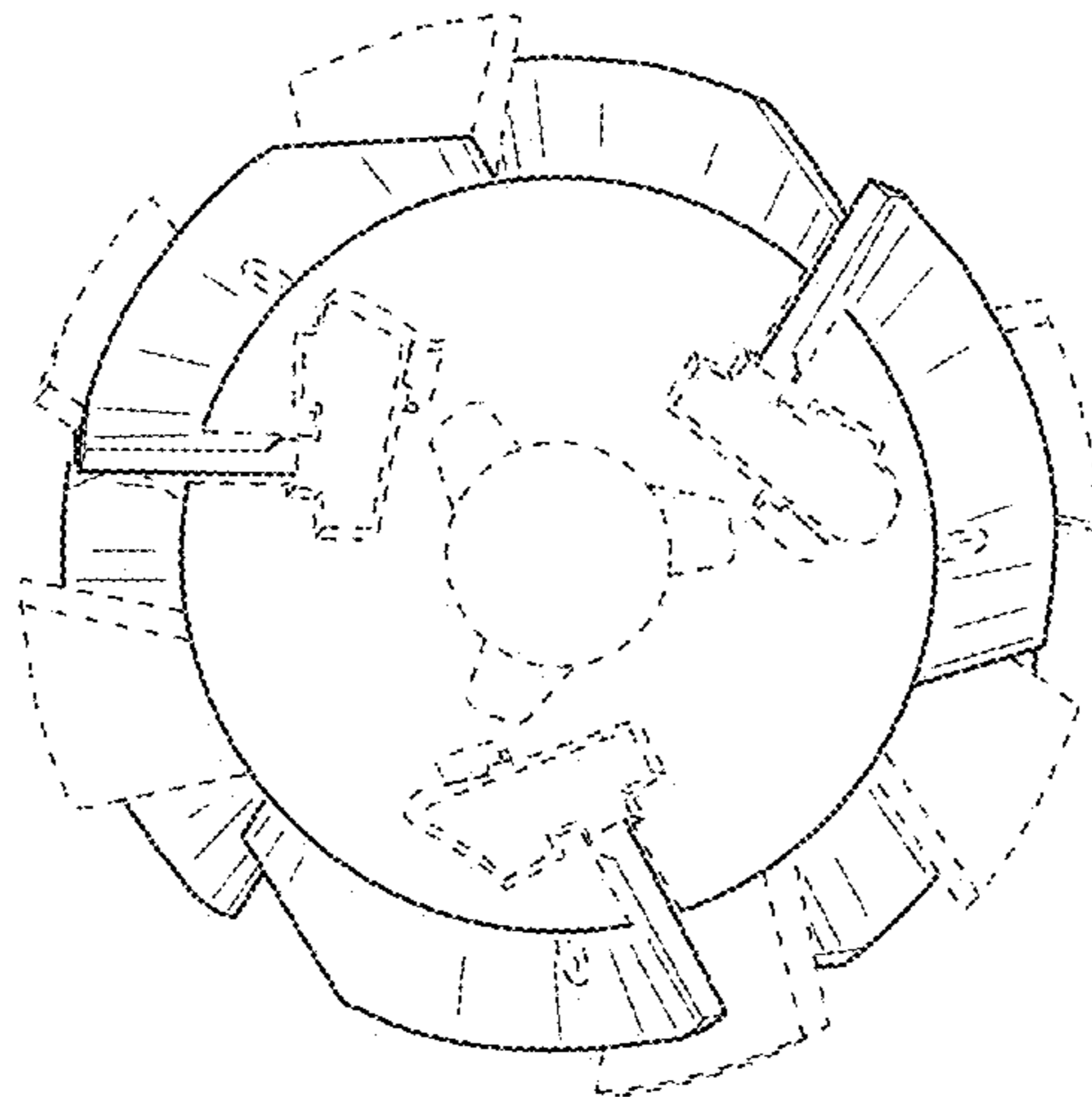


FIG. 6

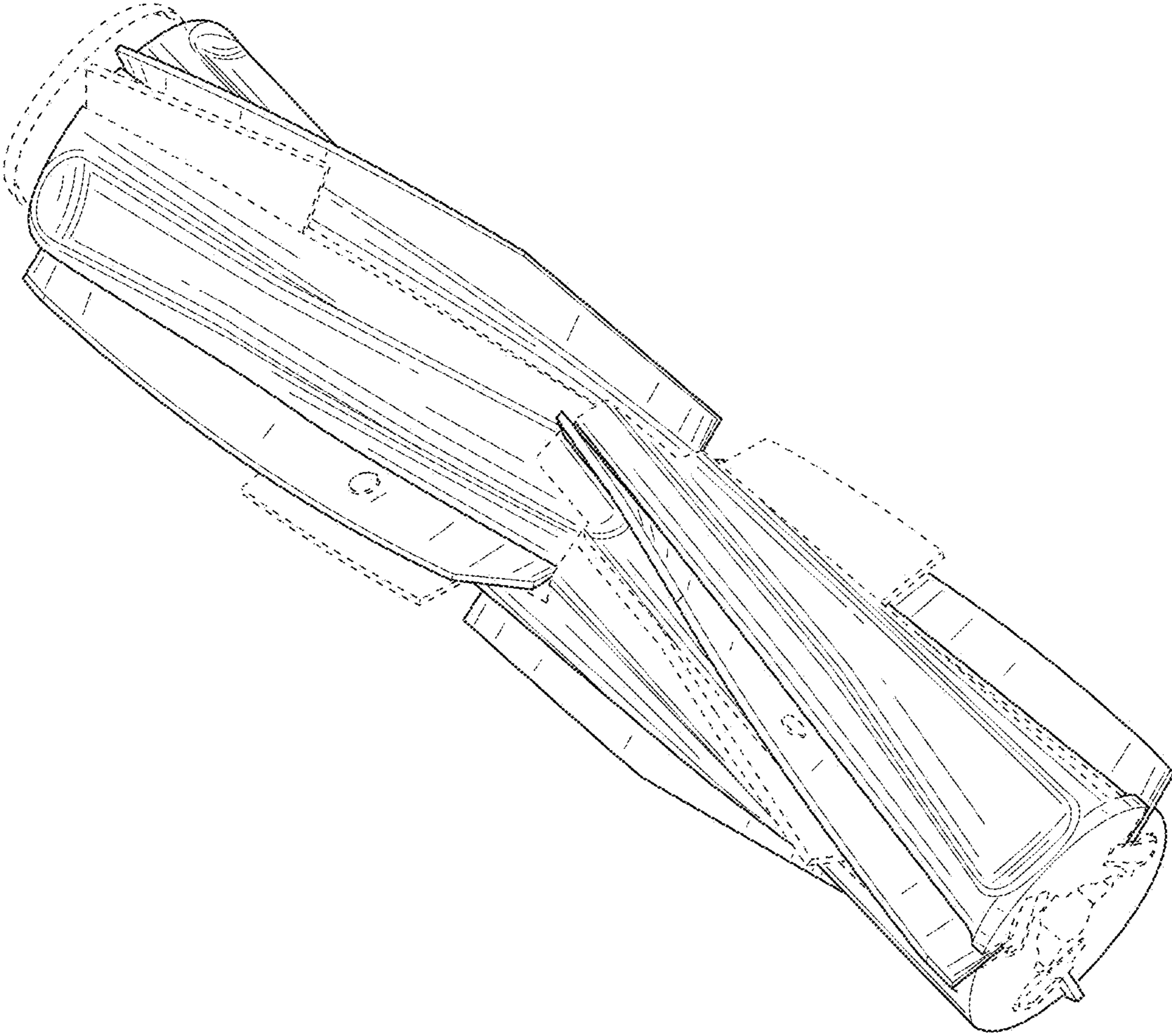


FIG. 7

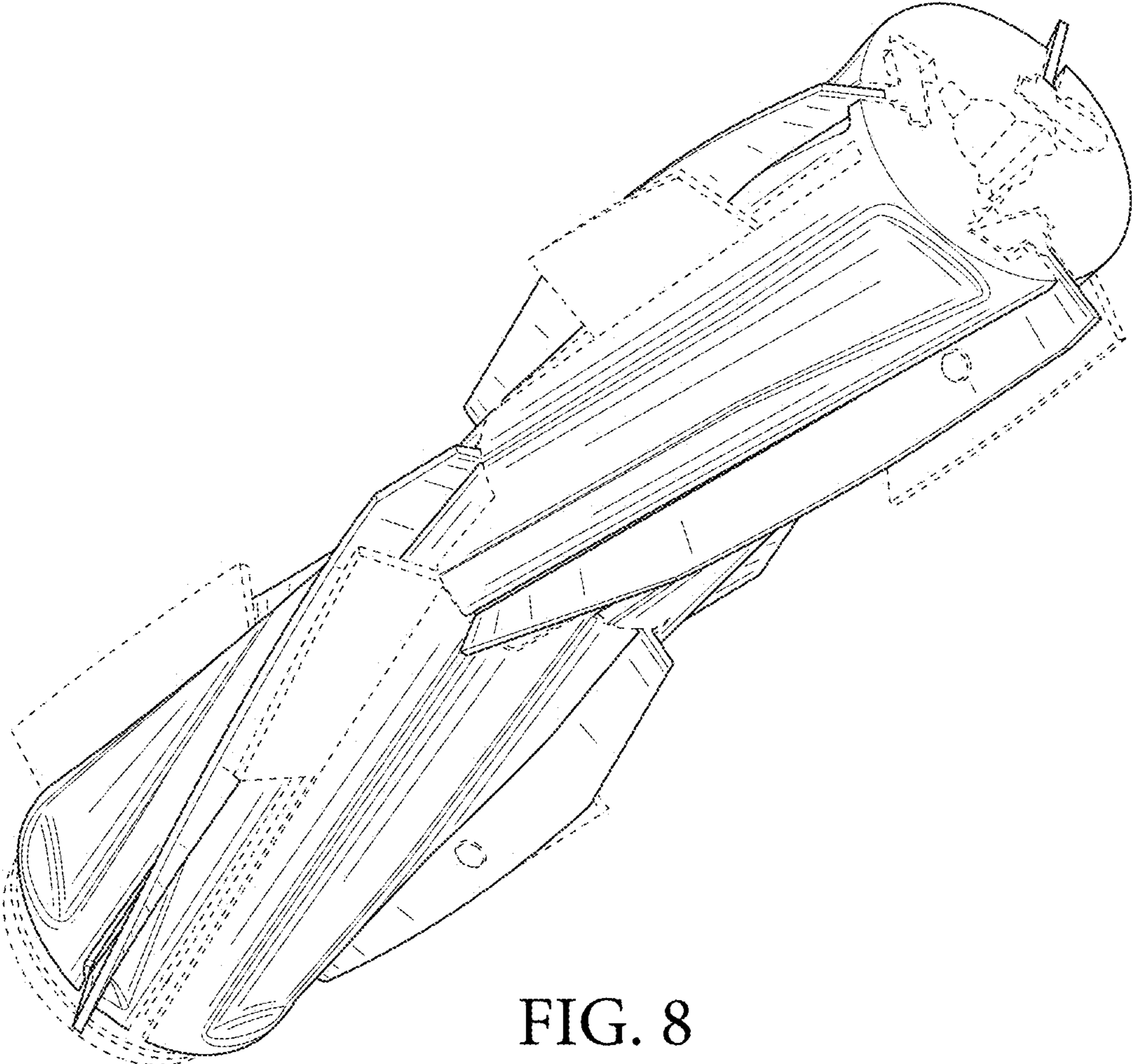


FIG. 8



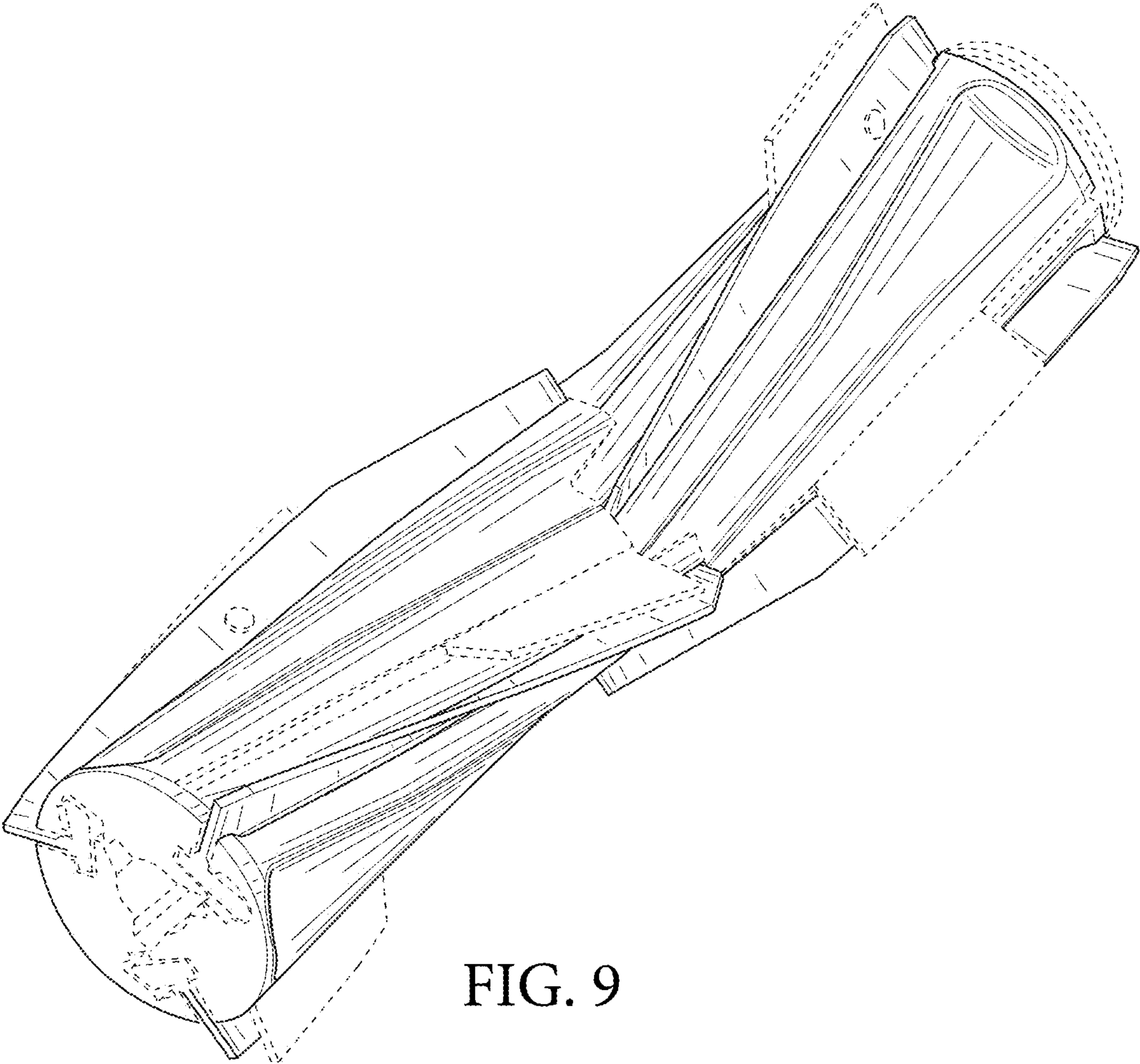


FIG. 9

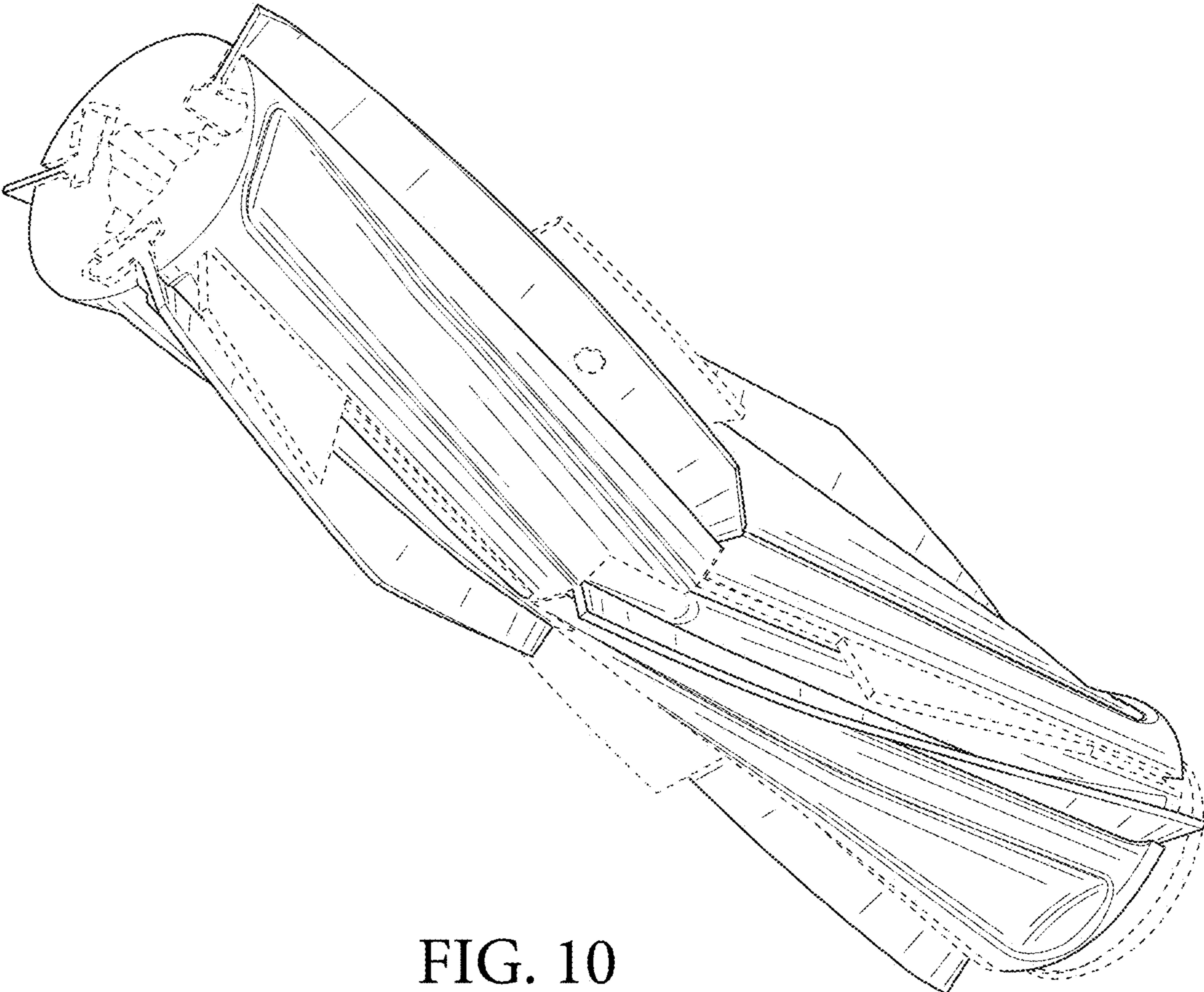


FIG. 10

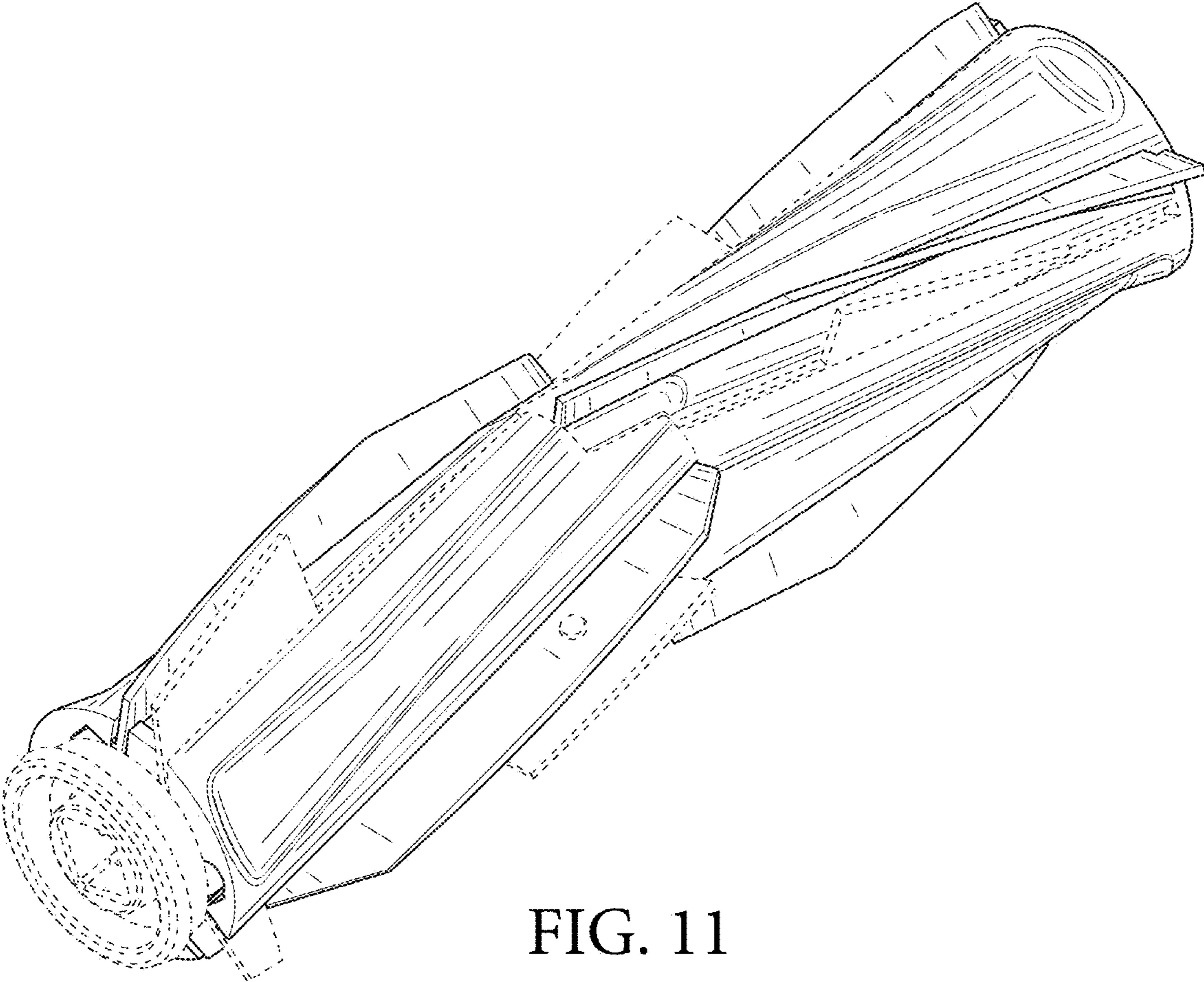


FIG. 11

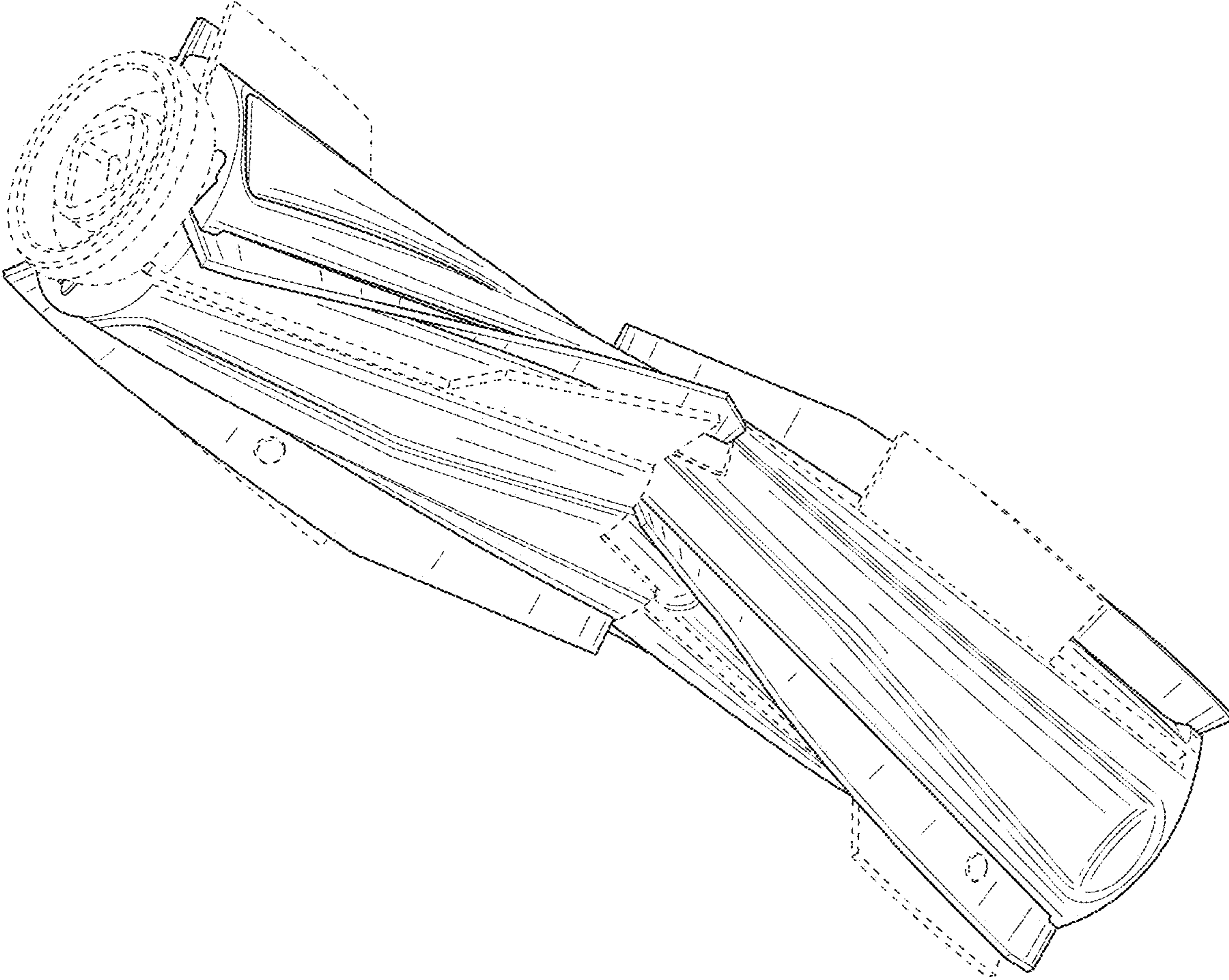


FIG. 12

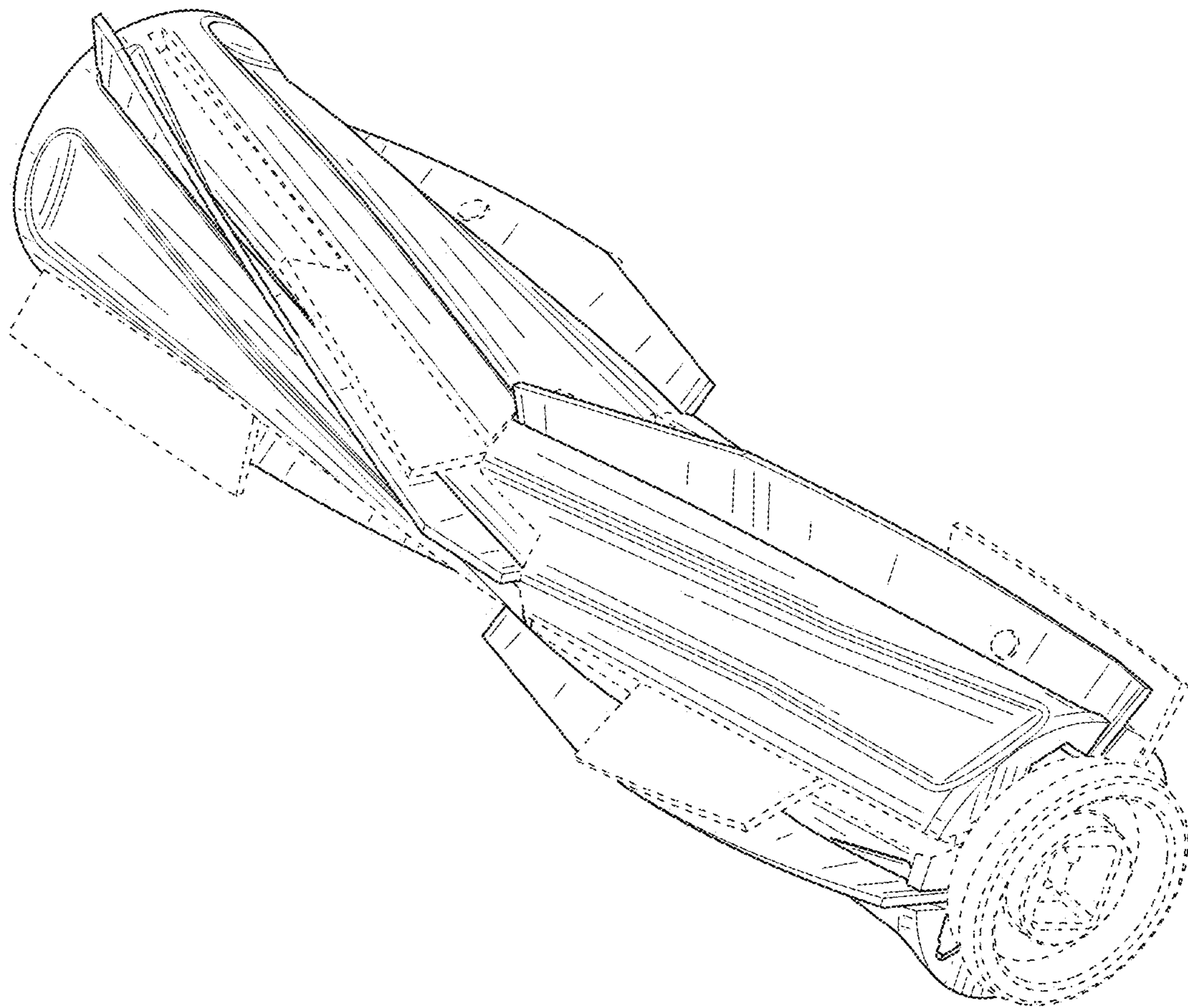


FIG. 13

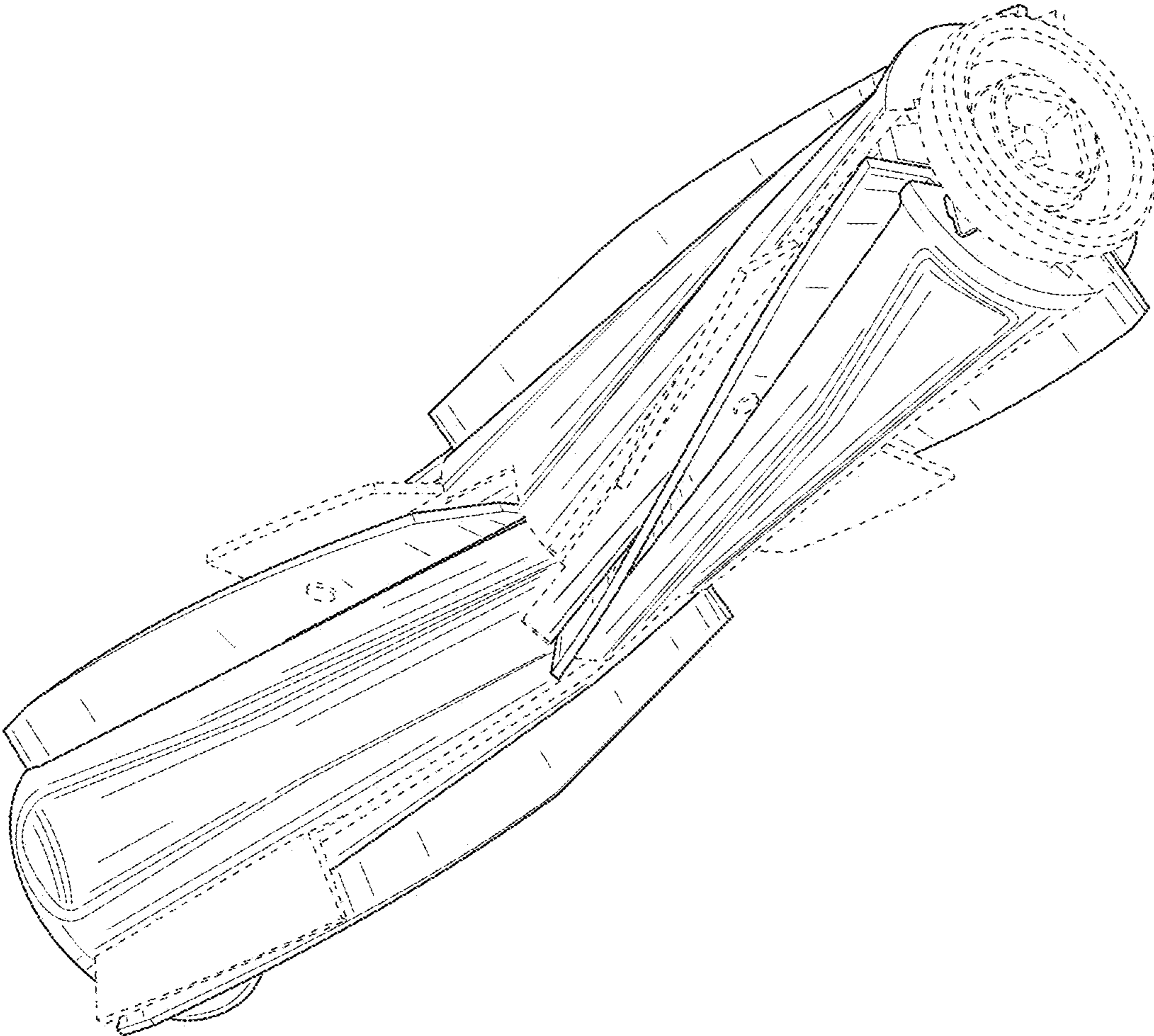


FIG. 14