



US00D979865S

(12) **United States Design Patent**
Brunner et al.

(10) **Patent No.:** **US D979,865 S**

(45) **Date of Patent:** **** Feb. 28, 2023**

(54) **BRUSH ROLL**
(71) Applicant: **SharkNinja Operating, LLC**,
Needham, MA (US)
(72) Inventors: **Charles S. Brunner**, Stockton, NJ
(US); **Xavier F. Cullere**, Newton, MA
(US); **Maxwell Wood-Lee**, Brooklyn,
NY (US); **Daniel R. Der Marderosian**,
Westwood, MA (US); **Adam Udy**,
Sutton (GB); **Steven Gacin**, Needham,
MA (US)

(73) Assignee: **SHARKNINJA OPERATING LLC**,
Needham, MA (US)

(**) Term: **15 Years**

(21) Appl. No.: **29/695,072**

(22) Filed: **Jun. 14, 2019**

(51) **LOC (14) Cl.** **15-05**

(52) **U.S. Cl.**
USPC **D32/31**

(58) **Field of Classification Search**
USPC D4/122, 127, 128, 131, 132, 133, 136;
D32/31, 32, 33
CPC . A47L 11/401; A47L 5/30; A47L 5/32; A47L
5/36; A47L 9/0477; A47L 9/24; A47L
9/242; A47L 9/248; F16L 11/04; F16L
11/11; F16L 11/15
See application file for complete search history.

(56) **References Cited**

U.S. PATENT DOCUMENTS

1,907,642 A * 5/1933 DeMaree A47L 9/0477
15/141.2
1,919,067 A * 7/1933 Lang A47L 9/0477
15/383
3,076,219 A * 2/1963 Peterson A46B 13/005
15/179
D222,702 S * 12/1971 Schaefer D32/31

3,828,387 A * 8/1974 Liebscher A46B 13/00
15/182
4,177,536 A * 12/1979 Powers A47L 5/30
15/182
D292,604 S 11/1987 Seo
D346,155 S 4/1994 More
(Continued)

FOREIGN PATENT DOCUMENTS

CN 305896638 * 7/2020 15/5

OTHER PUBLICATIONS

U.S. Appl. No. 29/695,078, filed at the United States Patent and
Trademark Office dated Jun. 14, 2019, 41 pages.

Primary Examiner — Kevin K Rudzinski
Assistant Examiner — Richard E Yenchesky
(74) *Attorney, Agent, or Firm* — Grossman, Tucker,
Perreault & Pfleger, PLLC

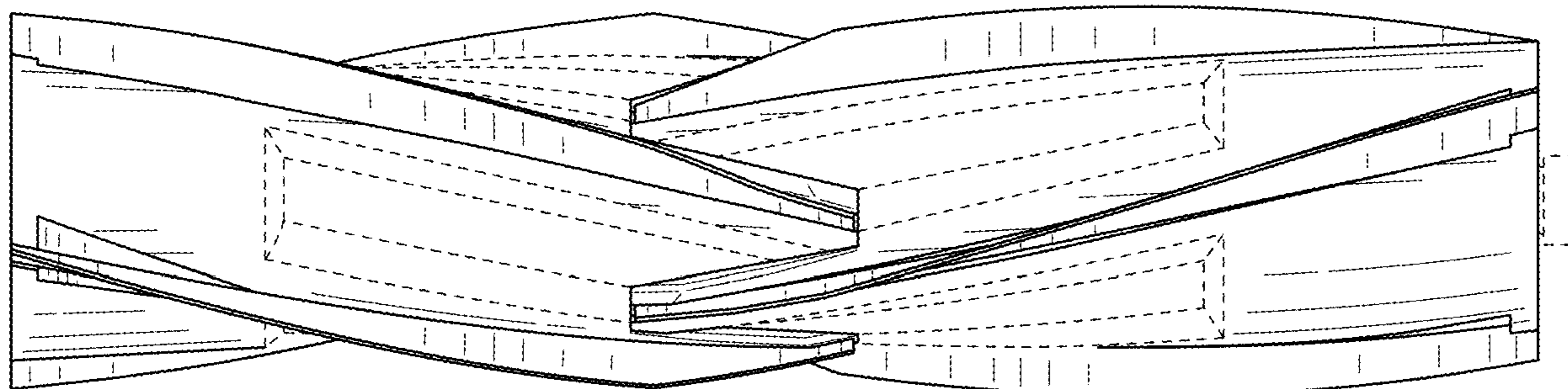
(57) **CLAIM**

The ornamental design of a brush roll, as shown and
described.

DESCRIPTION

FIG. 1 is a front view of a brush roll, showing the new
design;
FIG. 2 is a rear view thereof;
FIG. 3 is a right view thereof;
FIG. 4 is a left view thereof;
FIG. 5 is a top view thereof;
FIG. 6 is a bottom view thereof;
FIG. 7 is a front, top right perspective view thereof;
FIG. 8 is a front, bottom right perspective view thereof;
FIG. 9 is a right, top front perspective view thereof;
FIG. 10 is a right, bottom front perspective view thereof;
FIG. 11 is a front, top left perspective view thereof;
FIG. 12 is a front, bottom left perspective view thereof;
FIG. 13 is a left, top front perspective view thereof; and,
FIG. 14 is a left, bottom front perspective view thereof.

1 Claim, 11 Drawing Sheets



(56)

References Cited

U.S. PATENT DOCUMENTS

5,495,634	A *	3/1996	Brundula	A47L 5/30	D743,645	S	11/2015	Lee
				15/179	D743,647	S	11/2015	Heck et al.
D431,698	S *	10/2000	Hoshide	D32/31	D744,181	S	11/2015	Cheon et al.
6,314,611	B1 *	11/2001	Sauers	A47L 9/0455	D744,183	S	11/2015	Cheon et al.
				15/376	D744,706	S	12/2015	Heck et al.
D471,243	S	3/2003	Cioffi et al.		D744,708	S	12/2015	Cheon et al.
D471,332	S *	3/2003	Haegermarck	D32/31	D744,709	S	12/2015	Cheon et al.
6,530,106	B1 *	3/2003	Brundula	A46B 13/001	D745,233	S	12/2015	Choi et al.
				15/179	D745,757	S	12/2015	Choi et al.
6,564,417	B2 *	5/2003	Porat	A46B 13/001	D746,005	S	12/2015	Cheon et al.
				15/1.7	D747,052	S *	1/2016	Therrien
D478,698	S *	8/2003	Mertes	D32/31	D748,878	S	2/2016	Dooley et al.
D510,066	S	9/2005	Hickey et al.		D751,260	S	3/2016	Kim et al.
D518,258	S *	3/2006	Hamm	D32/31	D751,777	S	3/2016	Cheon et al.
D524,495	S	7/2006	Ljunggren		D752,300	S	3/2016	Cheon et al.
D548,902	S	8/2007	Chun et al.		D754,315	S	4/2016	Morin
D548,903	S	8/2007	Chun et al.		D759,586	S	6/2016	Swett et al.
D556,961	S	12/2007	Swyst et al.		D759,591	S	6/2016	Swett et al.
D563,443	S	3/2008	Ahn et al.		D761,507	S	7/2016	Heck et al.
D579,035	S	10/2008	Kim et al.		D771,332	S	11/2016	Verhoorn et al.
D586,959	S	2/2009	Geringer et al.		D771,333	S	11/2016	Verhoorn
D596,815	S	7/2009	Baek		9,483,055	B2	11/2016	Johnson et al.
D602,215	S	10/2009	Ljunggren		D774,258	S	12/2016	Kim et al.
D616,085	S	5/2010	Moon et al.		D774,263	S	12/2016	Reichel et al.
D617,966	S	6/2010	Lee et al.		D774,717	S	12/2016	Choi et al.
D625,059	S	10/2010	Morenstein et al.		D775,990	S	1/2017	White et al.
D625,060	S	10/2010	Morenstein et al.		D775,991	S	1/2017	White et al.
D625,062	S	10/2010	Morenstein et al.		D776,378	S	1/2017	Blouin et al.
D625,477	S	10/2010	Morenstein et al.		D778,017	S	1/2017	Park et al.
D629,827	S	12/2010	Morenstein et al.		D778,514	S	2/2017	Park et al.
D639,237	S	6/2011	Lee et al.		D778,515	S	2/2017	Choi et al.
D639,351	S	6/2011	Newmayer et al.		D779,750	S	2/2017	Choi et al.
D639,735	S	6/2011	Lee et al.		D781,512	S	3/2017	Neumann et al.
D640,194	S	6/2011	Kim et al.		D782,136	S	3/2017	Bu et al.
D645,403	S	9/2011	Seo et al.		D782,139	S	3/2017	Dooley et al.
D647,265	S *	10/2011	Follows	D32/31	D782,412	S	3/2017	Kim et al.
D658,341	S	4/2012	Nam et al.		D782,760	S	3/2017	Bu et al.
D659,311	S	5/2012	Geringer et al.		D783,911	S	4/2017	Bu et al.
D659,920	S	5/2012	Lee et al.		D784,640	S	4/2017	Verhoorn
D660,530	S	5/2012	Geringer et al.		D785,259	S	4/2017	Wo et al.
D661,032	S	5/2012	Lee et al.		D785,261	S	4/2017	Choi et al.
D661,439	S	6/2012	Lee et al.		D785,262	S	4/2017	Choi et al.
D661,440	S	6/2012	Lee et al.		D785,879	S	5/2017	Bu et al.
D665,547	S	8/2012	Nam et al.		D785,883	S *	5/2017	Wennerstrom
D670,458	S	11/2012	Seo et al.		D790,141	S	6/2017	Verhoorn
D670,877	S	11/2012	Geringer et al.		D790,785	S *	6/2017	Courtney
D672,928	S	12/2012	Swett		D796,134	S *	8/2017	LaBarbera
D675,154	S	1/2013	Nam et al.		D796,757	S	9/2017	Verhoorn et al.
D680,287	S *	4/2013	Morgan	D32/31	D798,007	S	9/2017	Wo et al.
D680,289	S *	4/2013	Gray	D32/31	D801,923	S	11/2017	Minamide et al.
D682,362	S	5/2013	Mozeika		D807,599	S	1/2018	Nam et al.
D682,495	S	5/2013	Kim et al.		D808,096	S	1/2018	Yun et al.
D691,337	S	10/2013	Kim et al.		D808,099	S	1/2018	Yoo et al.
D691,553	S	10/2013	Deoksang et al.		D809,115	S	1/2018	Morin
D698,310	S	1/2014	Yun et al.		D809,219	S *	1/2018	Wright
D699,010	S *	2/2014	Gilbert, Jr.	D32/31				A46B 5/02
D700,758	S	3/2014	Jeong et al.					D30/160
D703,397	S	4/2014	Sungkyung et al.		D809,726	S	2/2018	Park et al.
D704,400	S	5/2014	Shin et al.		9,883,779	B2 *	2/2018	Kasper
D715,504	S	10/2014	Deoksang et al.		D812,329	S	3/2018	Nam et al.
D716,510	S *	10/2014	Gilbert, Jr.	D32/31	D813,958	S	3/2018	Dooley et al.
D718,008	S	11/2014	Hwan-woong et al.		D816,284	S	4/2018	Lee et al.
D720,103	S	12/2014	Haug et al.		D818,225	S	5/2018	Nam et al.
D720,510	S	12/2014	Shin et al.		D818,226	S	5/2018	Nam et al.
D720,511	S	12/2014	Shin et al.		9,955,839	B2	5/2018	Maoro et al.
D728,877	S *	5/2015	Therrien	D32/31	D826,389	S	8/2018	Morin
D732,096	S	6/2015	Jang et al.		D827,233	S	8/2018	Nam et al.
D734,576	S	7/2015	Dooley et al.		D828,660	S	9/2018	Jang et al.
D734,907	S	7/2015	Dooley et al.		D828,663	S	9/2018	Yun et al.
D735,258	S	7/2015	Jang et al.		D829,396	S	9/2018	Shin
D737,006	S	8/2015	Heck et al.		D832,328	S	10/2018	Baek et al.
D737,008	S	8/2015	Cheon et al.		D833,094	S	11/2018	Nam et al.
D738,585	S	9/2015	Dooley et al.		D833,096	S	11/2018	Breheny et al.
D742,112	S	11/2015	Heck et al.		D834,274	S	11/2018	Nam et al.
D743,644	S	11/2015	Heck et al.		D835,693	S	12/2018	Lee et al.
					D836,690	S	12/2018	Kim
					D841,268	S *	2/2019	Ebrahimi Afrouzi
					D843,733	S *	3/2019	Chavana, Jr.
					D850,039	S *	5/2019	Dou
					D852,860	S	7/2019	Lee

(56)

References Cited

U.S. PATENT DOCUMENTS

D852,861 S 7/2019 Lee
D855,333 S * 8/2019 Ando D4/128
D860,558 S 9/2019 Lee et al.
D860,560 S 9/2019 Lee et al.
D860,561 S 9/2019 Lee et al.
D878,692 S * 3/2020 Bosyj D32/31
D914,307 S * 3/2021 Weis D32/31
D924,511 S * 7/2021 Weis D32/31
11,109,727 B2 * 9/2021 Burbank A47L 9/0411
D955,115 S * 6/2022 Sardar D4/122
2008/0244852 A1 * 10/2008 Alton A46B 13/02
15/179
2017/0311767 A1 * 11/2017 Fang A47L 11/19
2018/0168417 A1 * 6/2018 Goddard A47L 11/24
2019/0122914 A1 * 4/2019 Eckstein H01L 21/67057
2019/0145459 A1 * 5/2019 Magnusson F16C 41/001
384/548
2019/0307302 A1 * 10/2019 Zheng A47L 9/0477

* cited by examiner

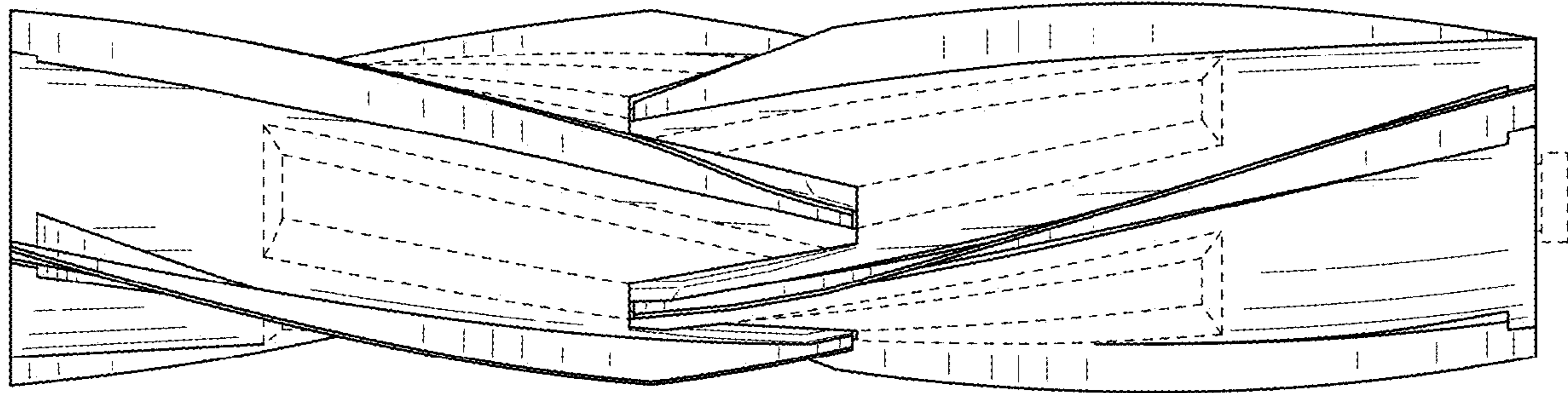


FIG. 1

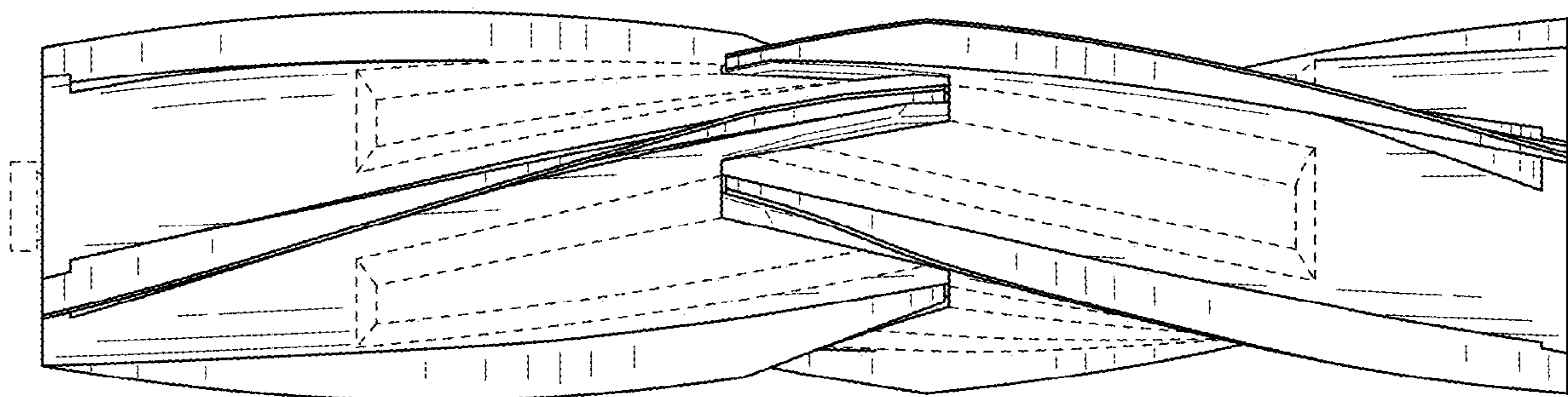


FIG. 2

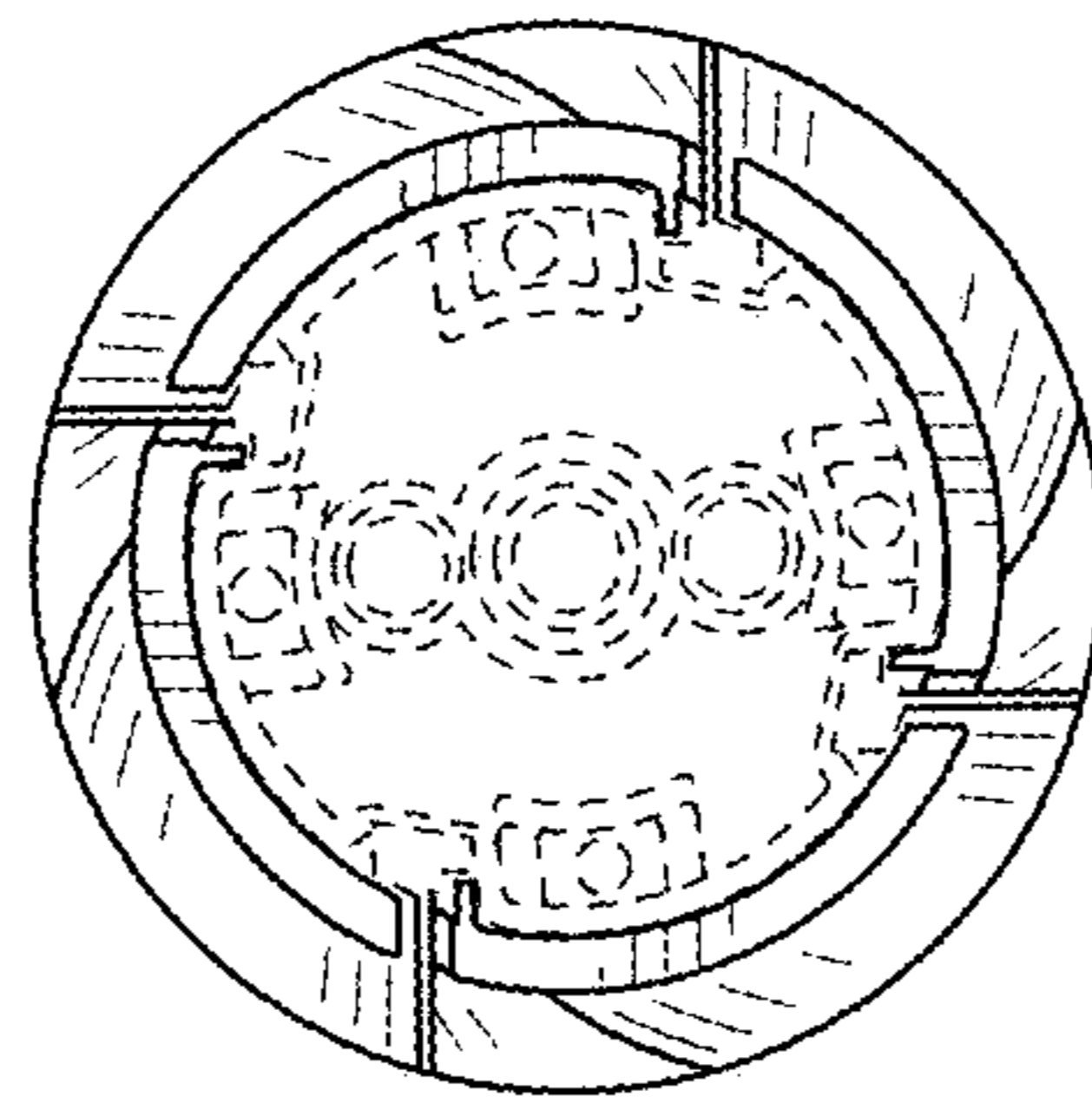


FIG. 3

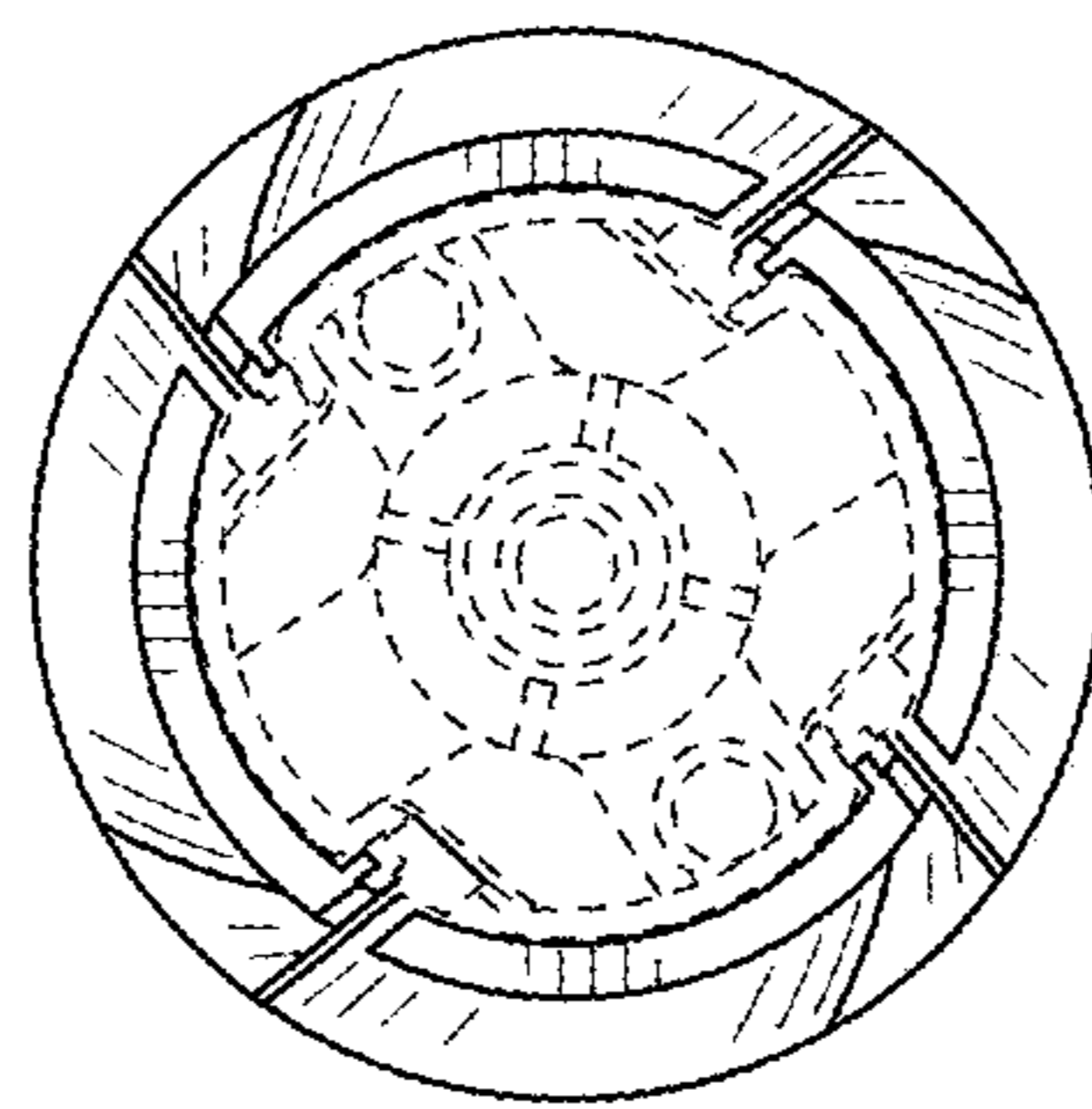


FIG. 4

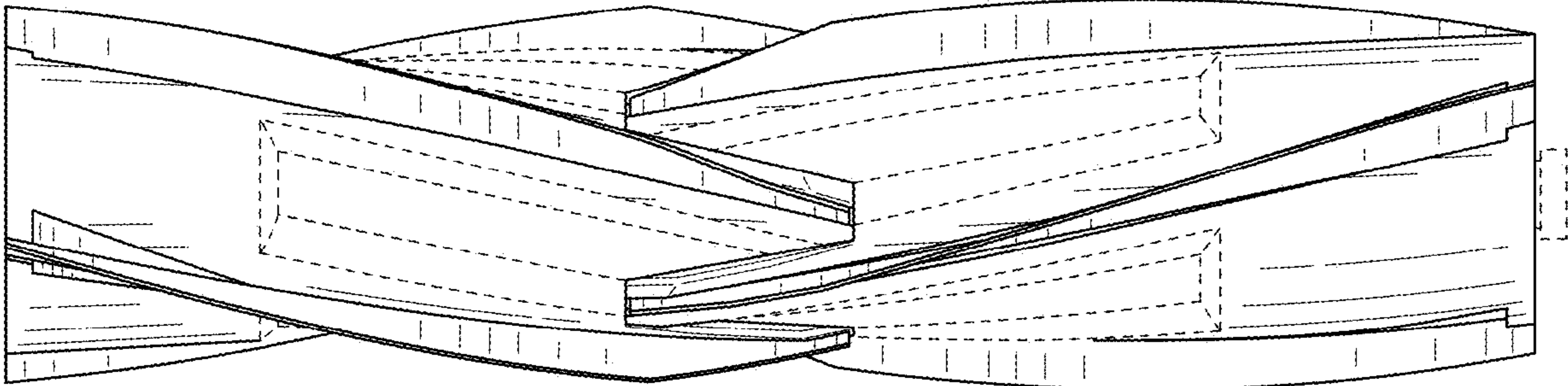


FIG. 5

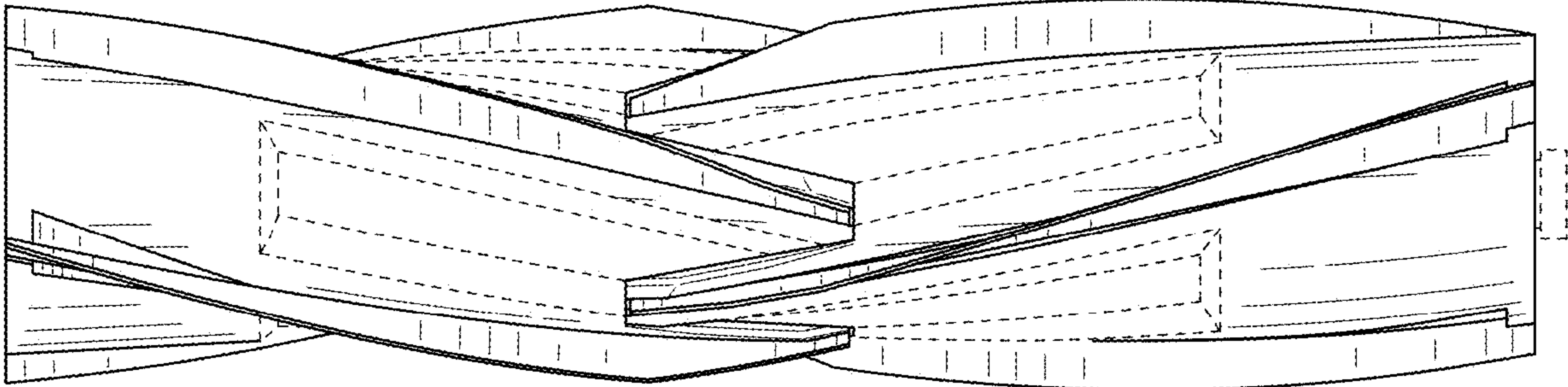


FIG. 6

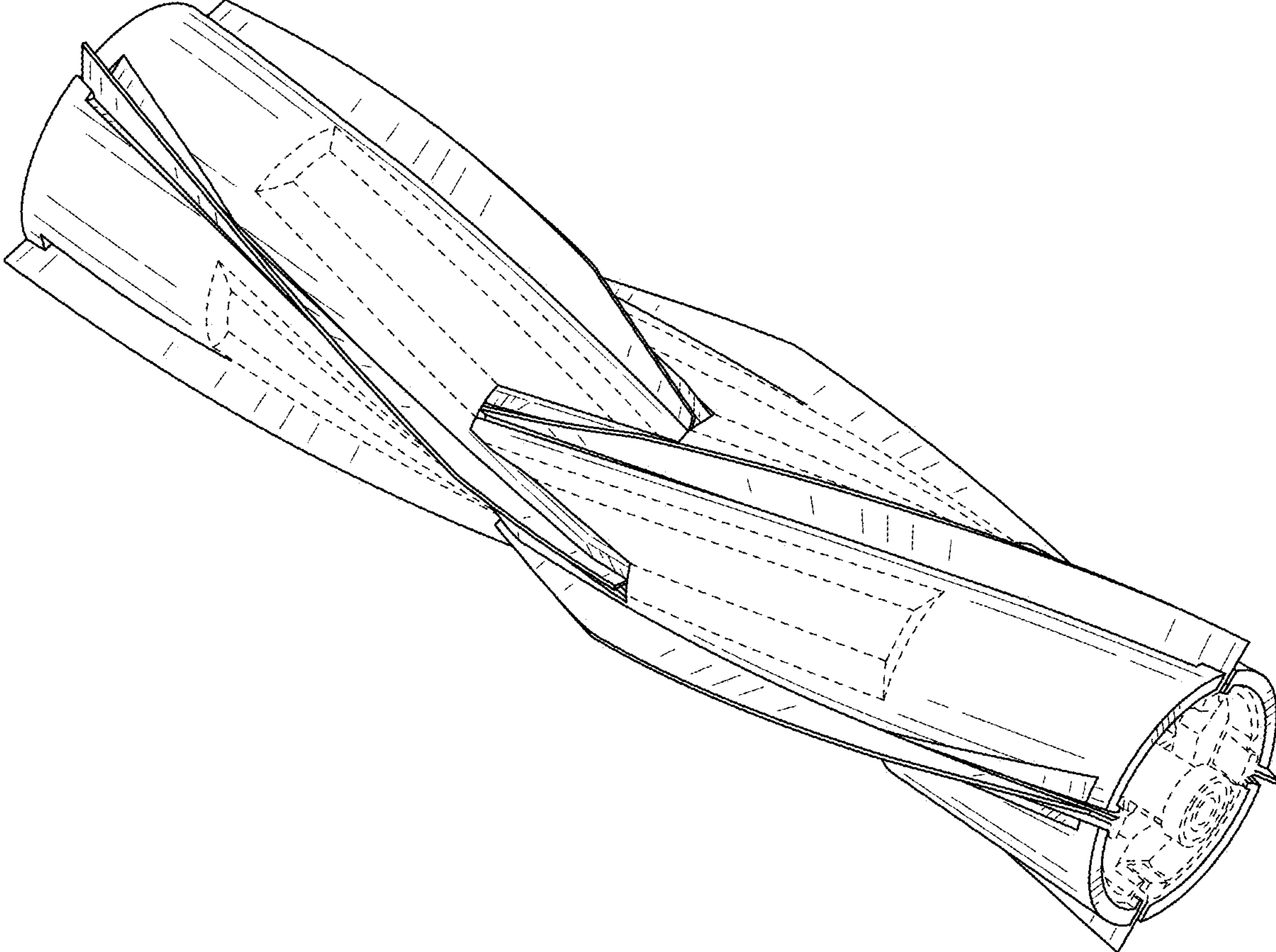


FIG. 7

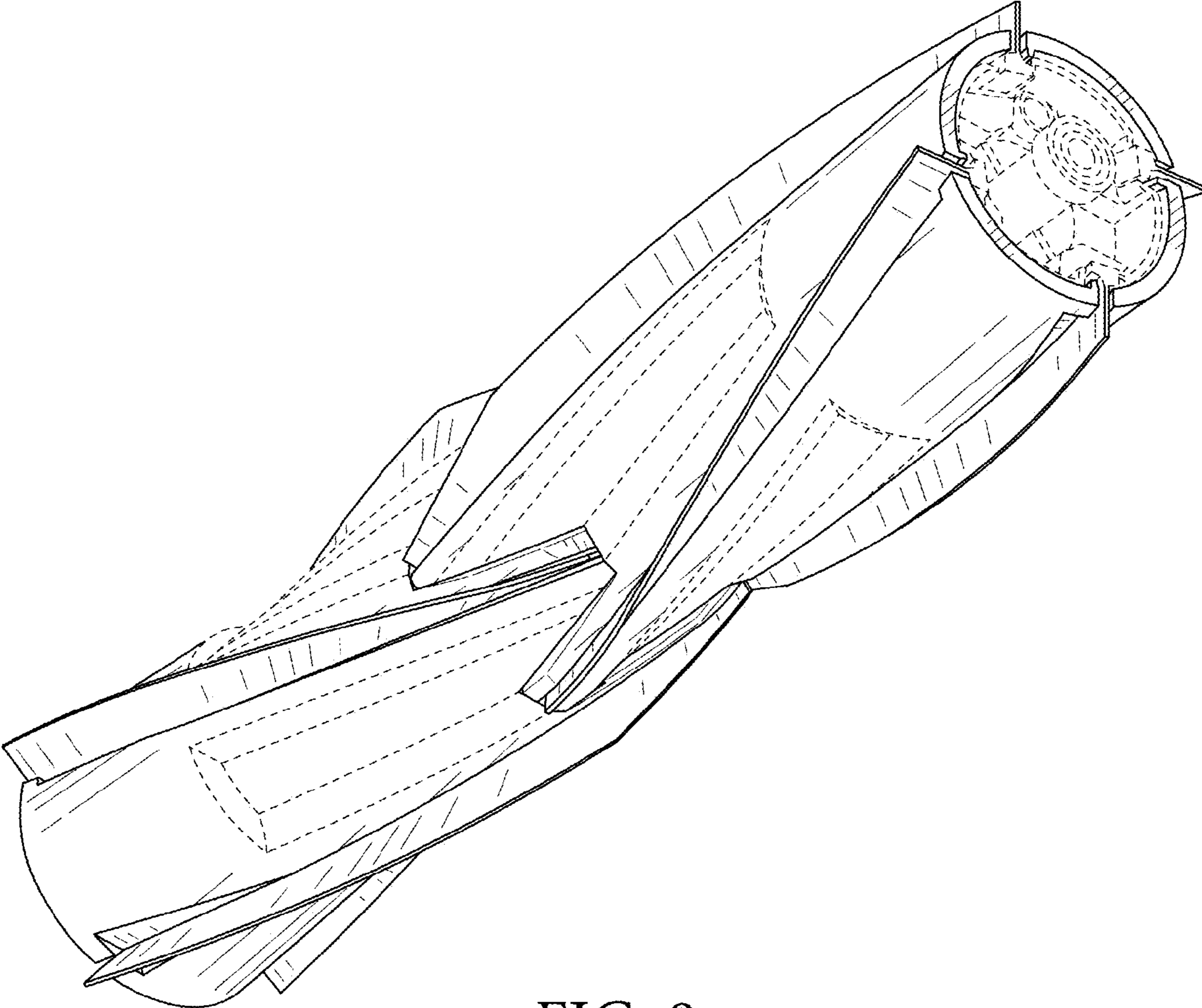


FIG. 8

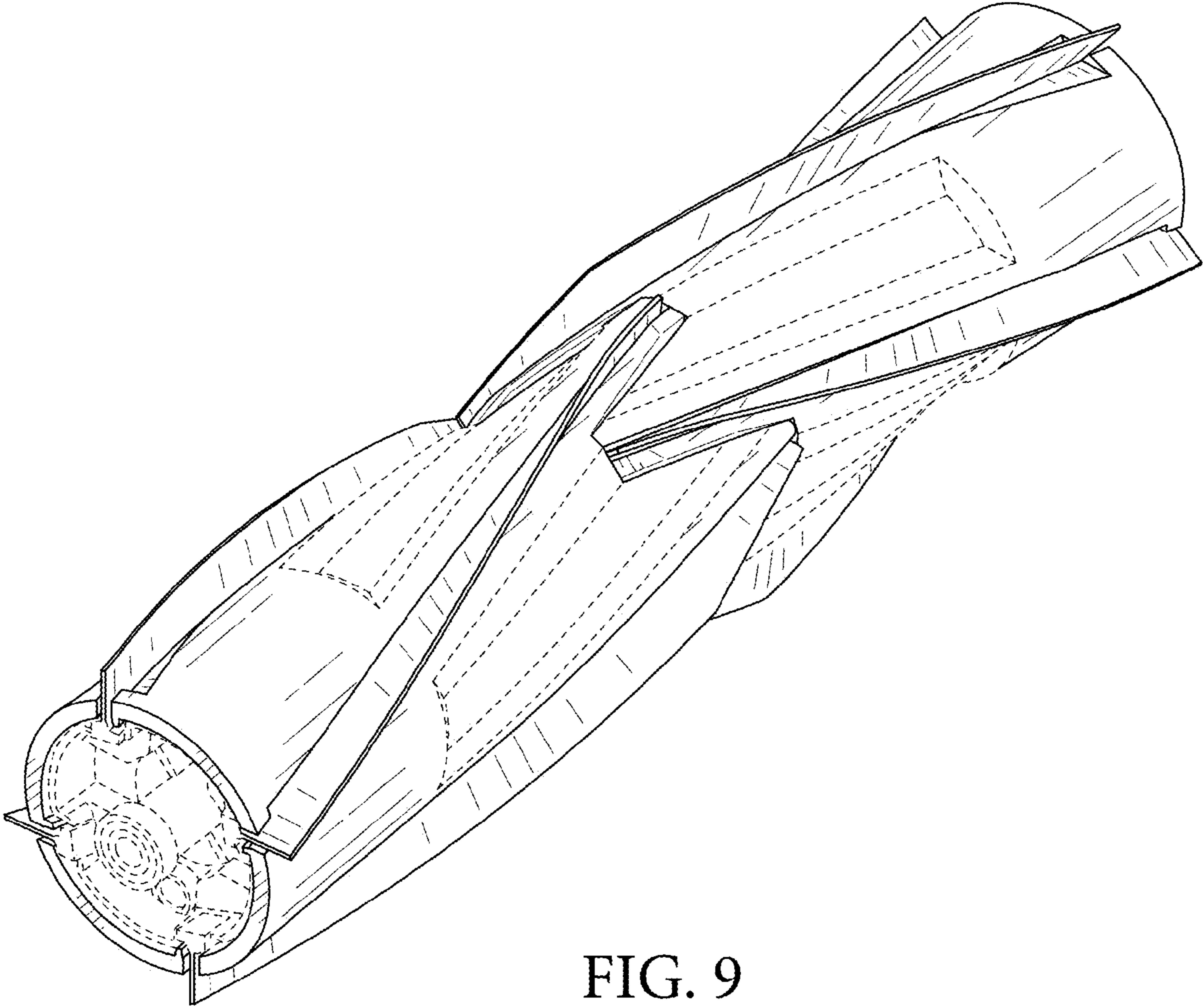


FIG. 9

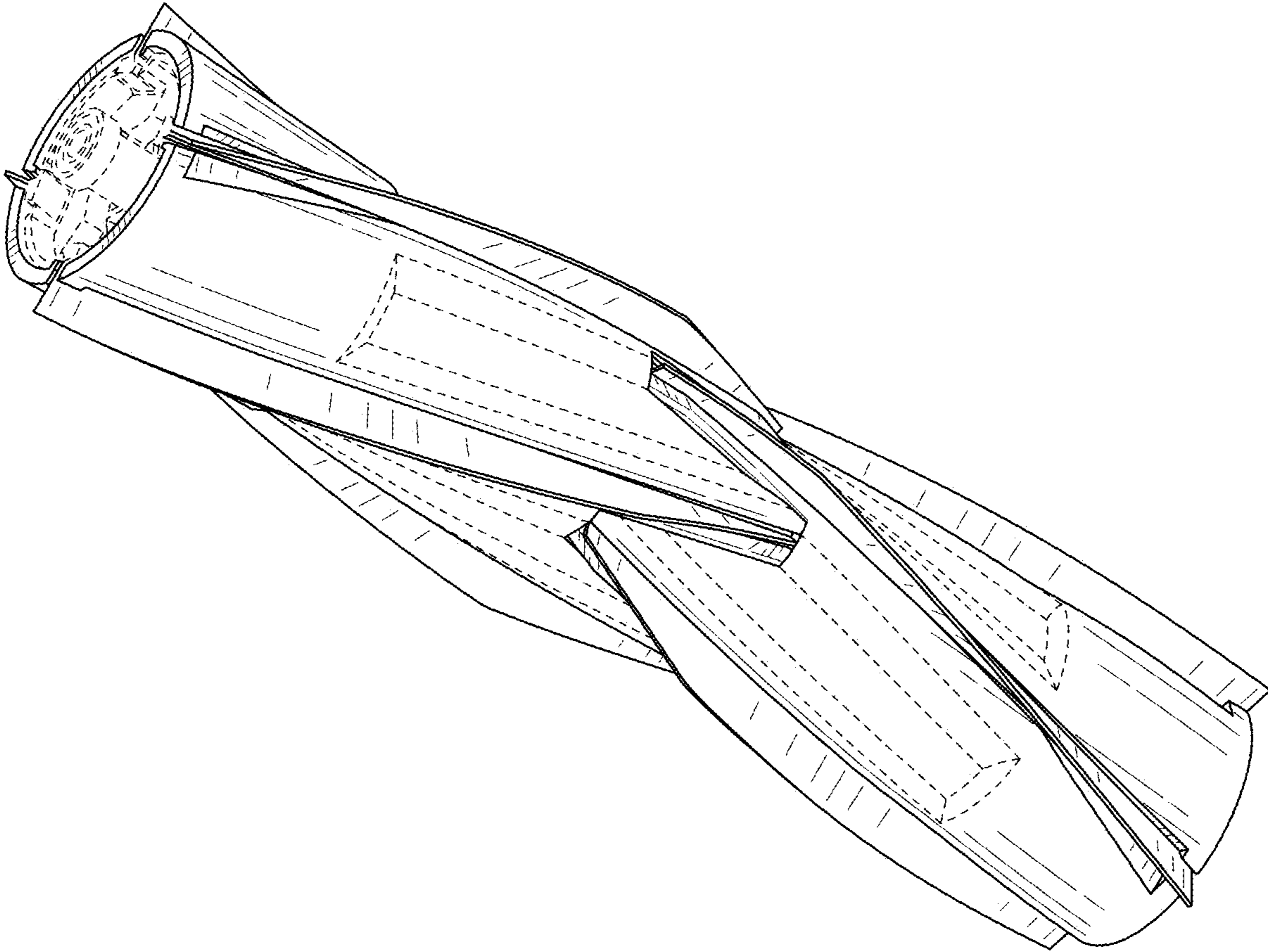


FIG. 10

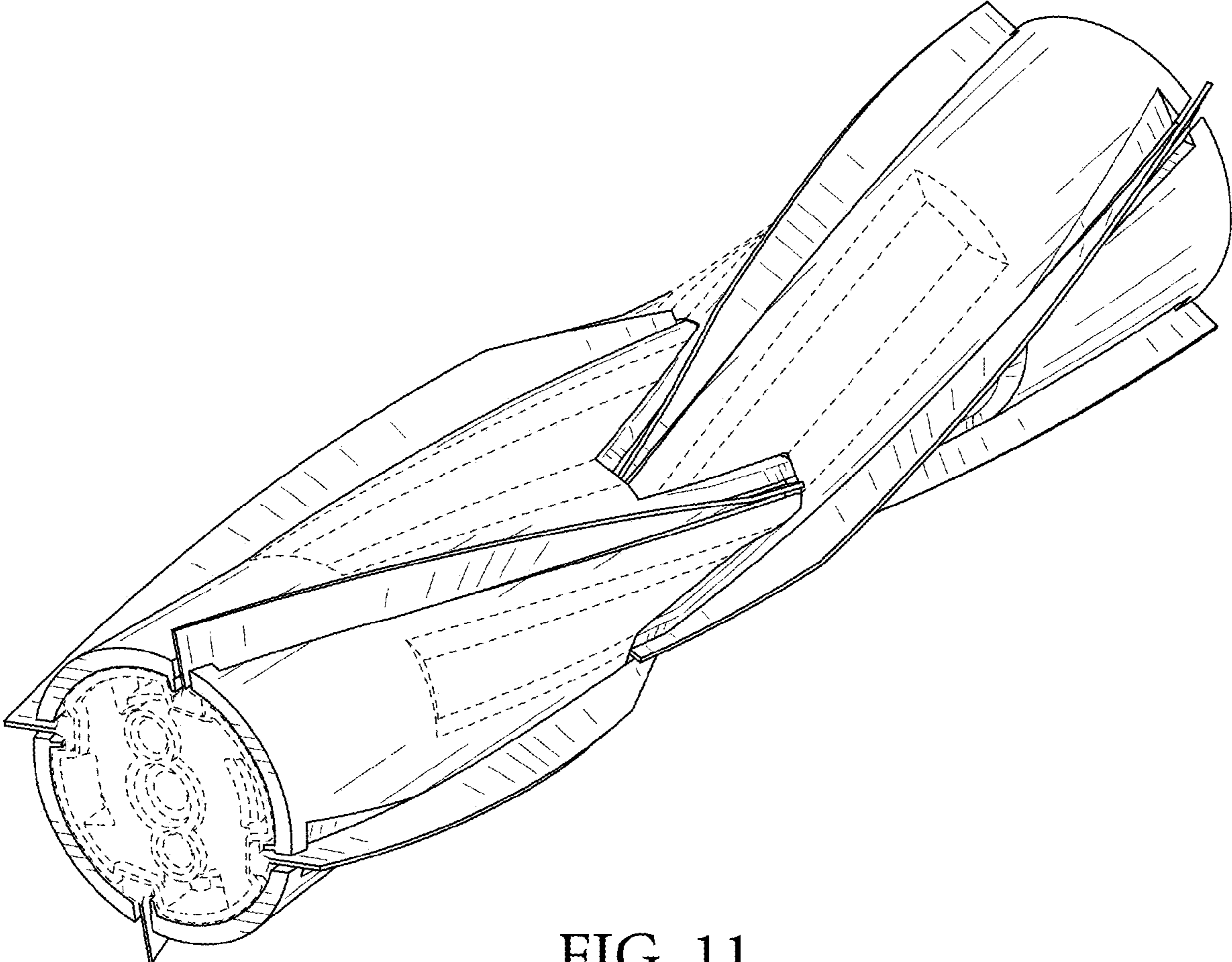


FIG. 11

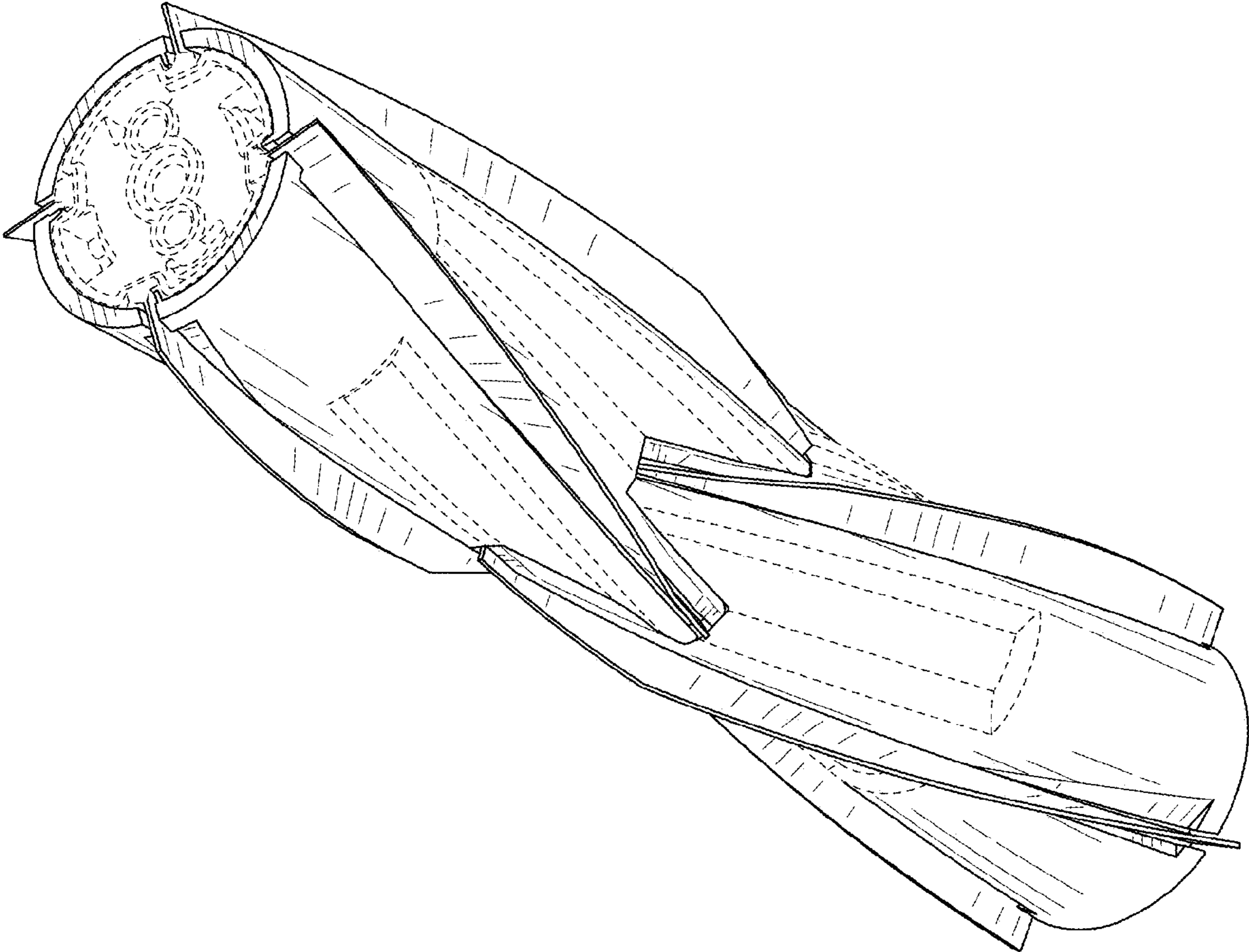


FIG. 12

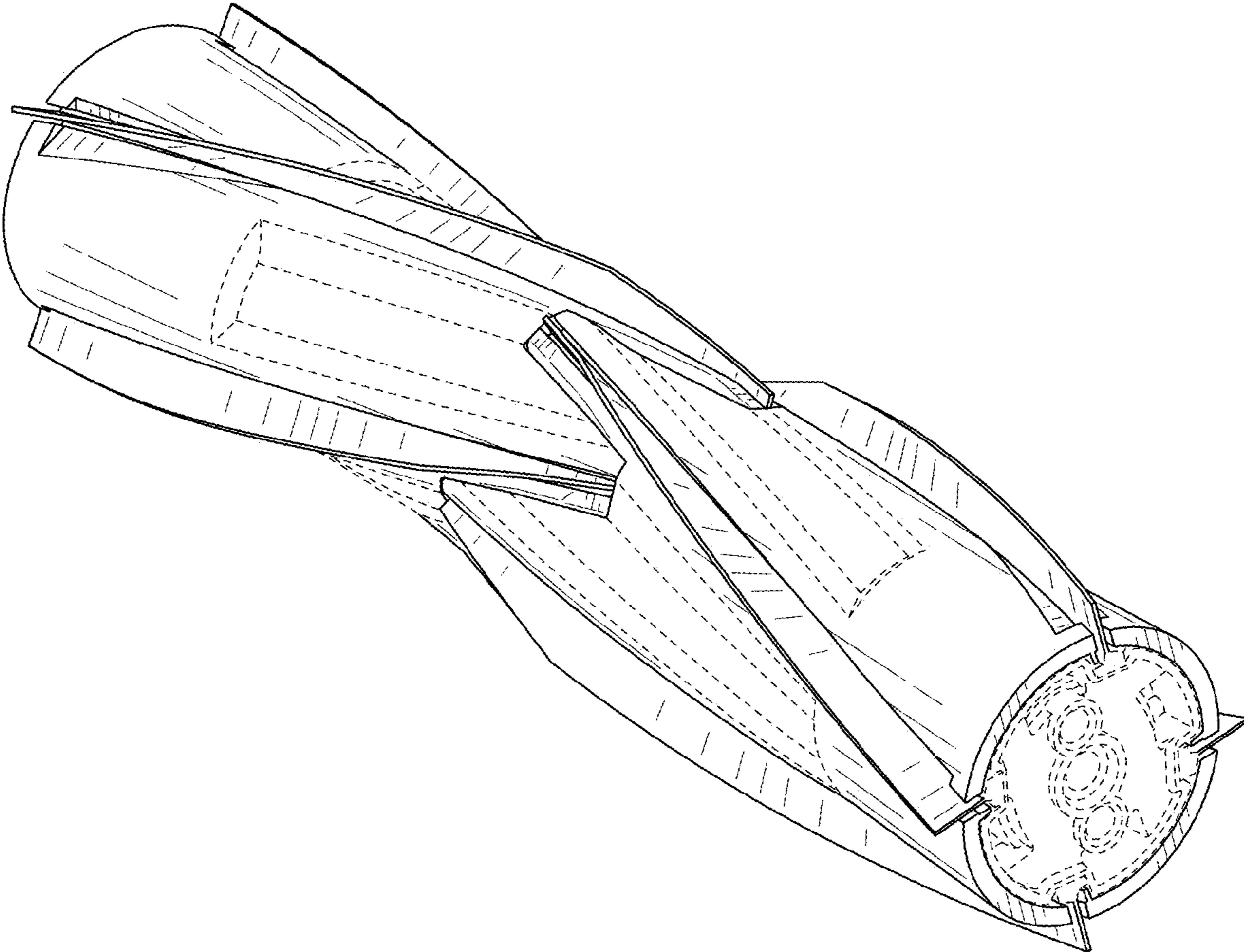


FIG. 13

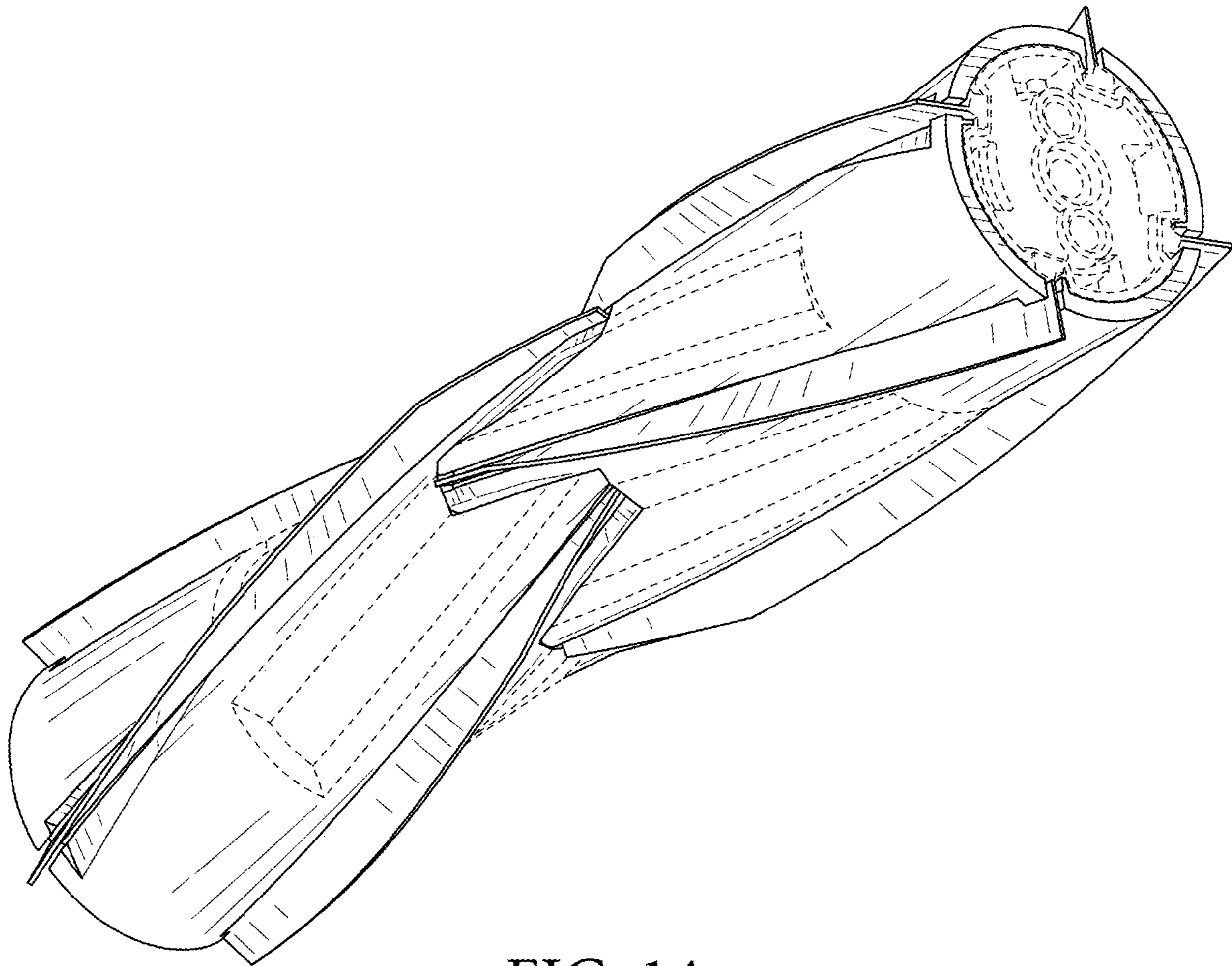


FIG. 14