



US00D979864S

(12) **United States Design Patent**  
**Kim et al.**

(10) **Patent No.:** **US D979,864 S**

(45) **Date of Patent:** **\*\* Feb. 28, 2023**

(54) **STACKING KIT**

(71) Applicant: **SAMSUNG ELECTRONICS CO., LTD.**, Suwon-si (KR)

(72) Inventors: **Jin-Nam Kim**, Suwon-si (KR);  
**Dong-Won Chun**, Suwon-si (KR)

(73) Assignee: **SAMSUNG ELECTRONICS CO., LTD.**, Gyeonggi-Do (KR)

(\*\*) Term: **15 Years**

(21) Appl. No.: **29/763,826**

(22) Filed: **Dec. 24, 2020**

(30) **Foreign Application Priority Data**

Aug. 26, 2020 (KR) ..... 30-2020-0039922

(51) **LOC (14) Cl.** ..... **15-05**

(52) **U.S. Cl.**  
USPC ..... **D32/25**

(58) **Field of Classification Search**  
USPC ..... D6/705, 663; D7/348, 349; D32/1, 3-6,  
D32/25  
CPC ..... D06F 29/00; D06F 39/022; D06F 39/12;  
D06F 35/006; D06F 25/00  
See application file for complete search history.

(56) **References Cited**

**U.S. PATENT DOCUMENTS**

- 5,951,130 A \* 9/1999 Braunschweig ..... D06F 29/00  
312/257.1
- D486,331 S \* 2/2004 Boron ..... D6/705
- D599,145 S \* 9/2009 Daino ..... D6/705
- 8,245,999 B2 \* 8/2012 Tartan ..... D06F 29/00  
68/3 R
- D669,236 S \* 10/2012 Jeon ..... D32/25
- D743,642 S \* 11/2015 Lee ..... D8/316
- D804,118 S \* 11/2017 Kim ..... D32/25

- D854,764 S \* 7/2019 Park ..... D32/25
- D867,698 S \* 11/2019 Joo ..... D32/25
- D924,663 S \* 7/2021 Spurrier ..... D15/89

(Continued)

**FOREIGN PATENT DOCUMENTS**

- CN 305265596 S 7/2019
- CN 305913197 S 7/2020

(Continued)

**OTHER PUBLICATIONS**

Appliancespares.nz LG Washing Machine & Dryer Stacking Kit  
<https://www.appliancespares.nz/products/lg-washing-machine-dryer-stacking-kit-stkit-wh> (Year: 2022).\*

*Primary Examiner* — Kevin K Rudzinski  
*Assistant Examiner* — Richard E Yenchesky  
(74) *Attorney, Agent, or Firm* — Cantor Colburn LLP

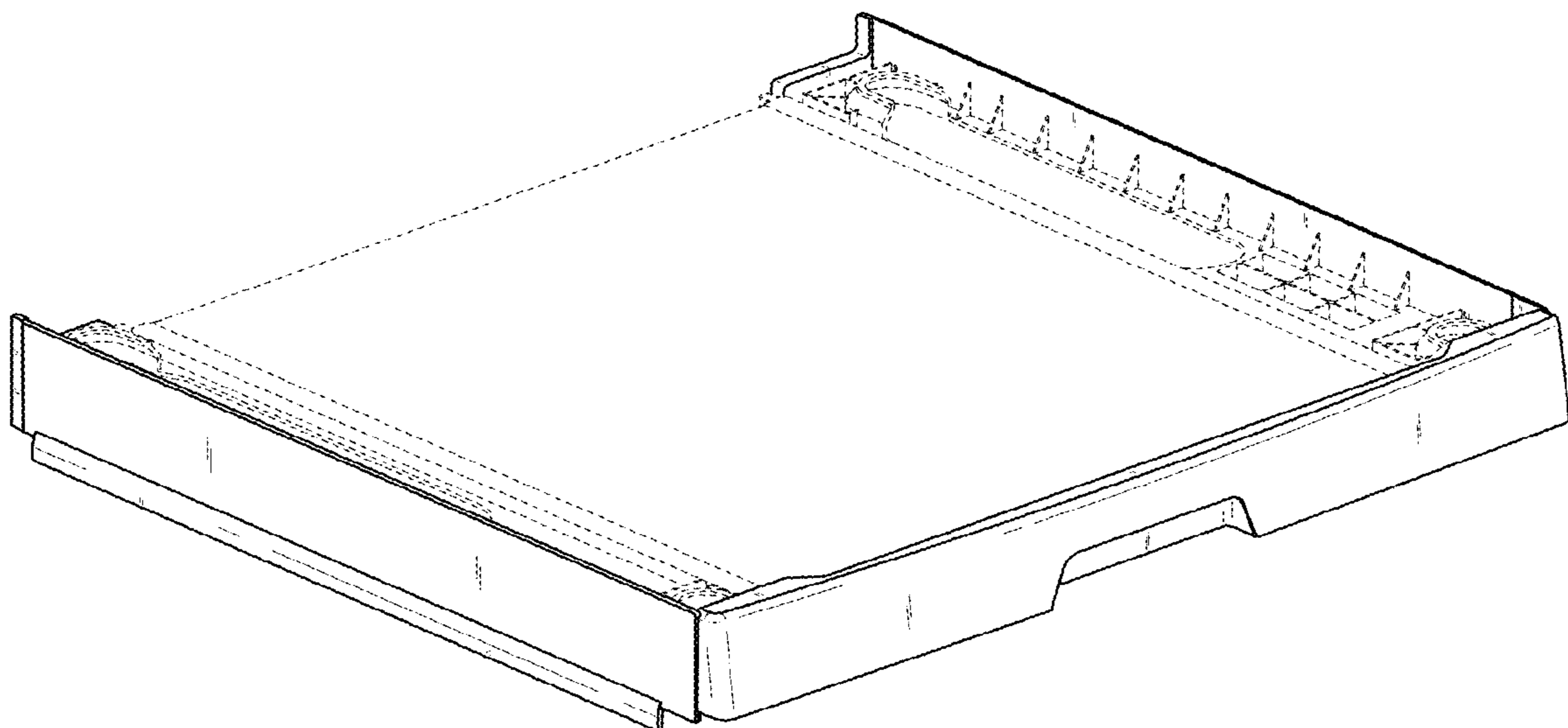
(57) **CLAIM**

The ornamental design for a stacking kit, as shown and described.

**DESCRIPTION**

FIG. 1 is a front perspective view of a stacking kit, showing our new design;  
FIG. 2 is a front view thereof;  
FIG. 3 is a rear view thereof;  
FIG. 4 is a left-side view thereof;  
FIG. 5 is a right-side view thereof;  
FIG. 6 is a top view thereof;  
FIG. 7 is a bottom view thereof;  
FIG. 8 is a rear perspective view thereof; and,  
FIG. 9 is another front view thereof in a washing machine and dryer environment.  
The broken lines illustrating portions of the stacking kit form no part of the claimed design. The broken lines illustrating the washing machine and dryer in FIG. 9 are for environment purposes only and form no part of the claimed design.

**1 Claim, 9 Drawing Sheets**



(56)

**References Cited**

U.S. PATENT DOCUMENTS

D925,955 S \* 7/2021 Greenwood ..... D6/705  
D963,387 S \* 9/2022 Hamann ..... D6/705  
2015/0143857 A1\* 5/2015 Jo ..... D06F 39/02  
68/17 R  
2019/0307307 A1\* 10/2019 Wong ..... A47L 15/0081  
2021/0214879 A1\* 7/2021 Lee ..... D06F 58/20

FOREIGN PATENT DOCUMENTS

EM 001812231-0001 1/2011  
EM 001812231-0002 1/2011  
KR 300840270 S 2/2016  
WO WOD211774-001 \* 6/2021

\* cited by examiner

FIG. 1

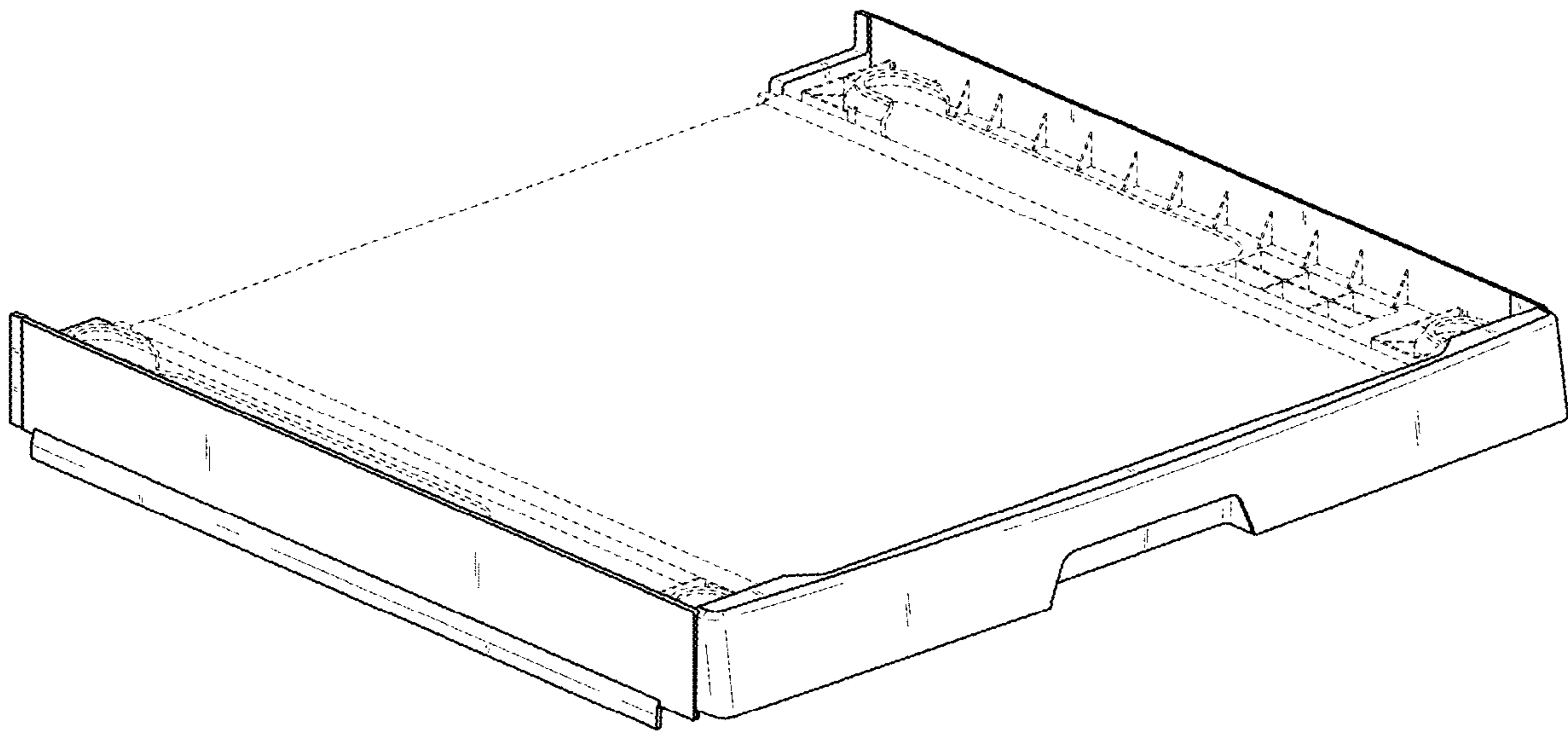


FIG. 2

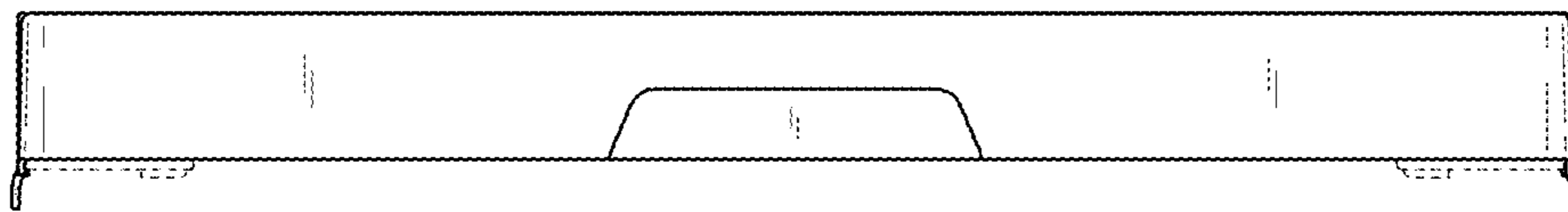


FIG. 3

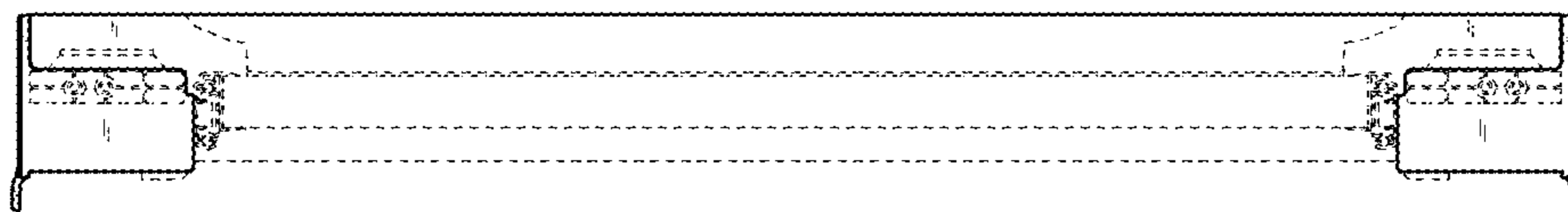


FIG. 4

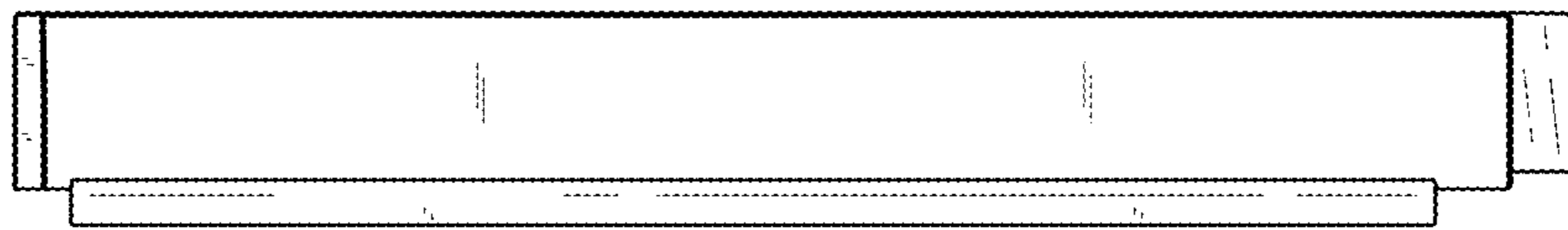


FIG. 5

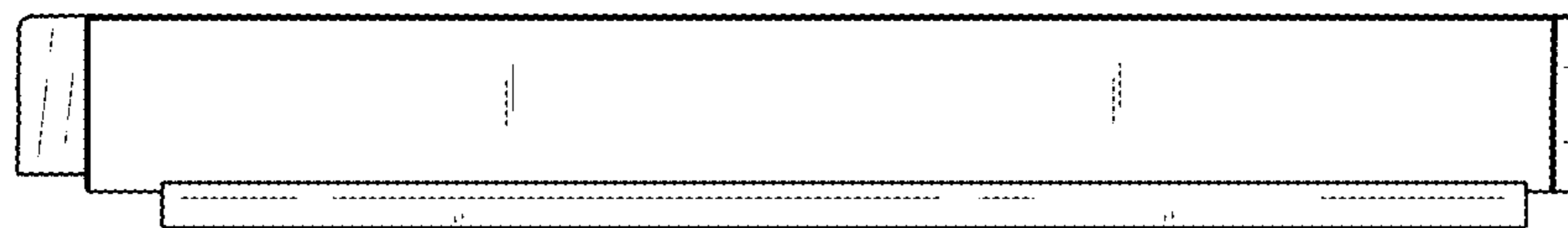


FIG. 6

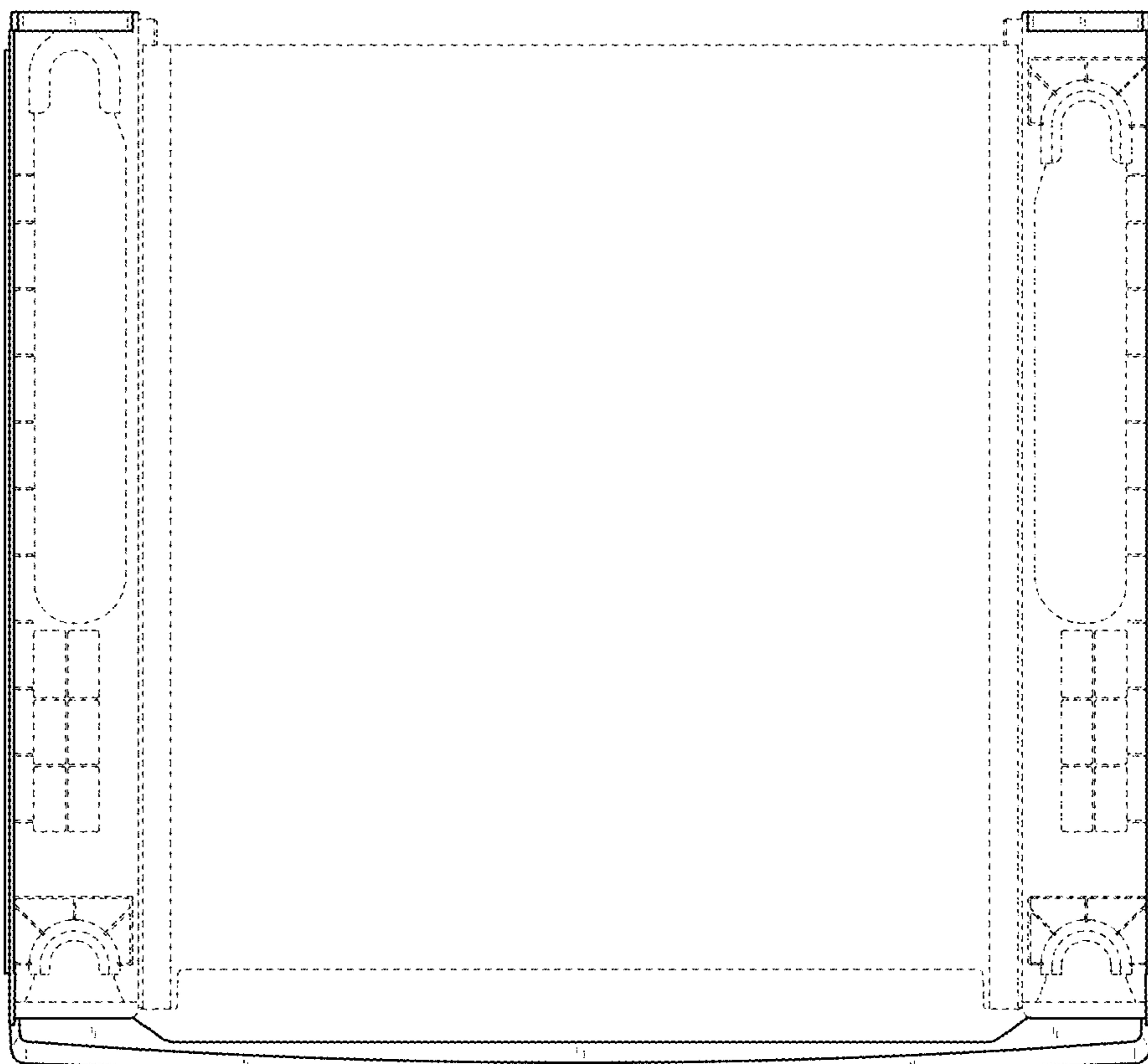




FIG. 7

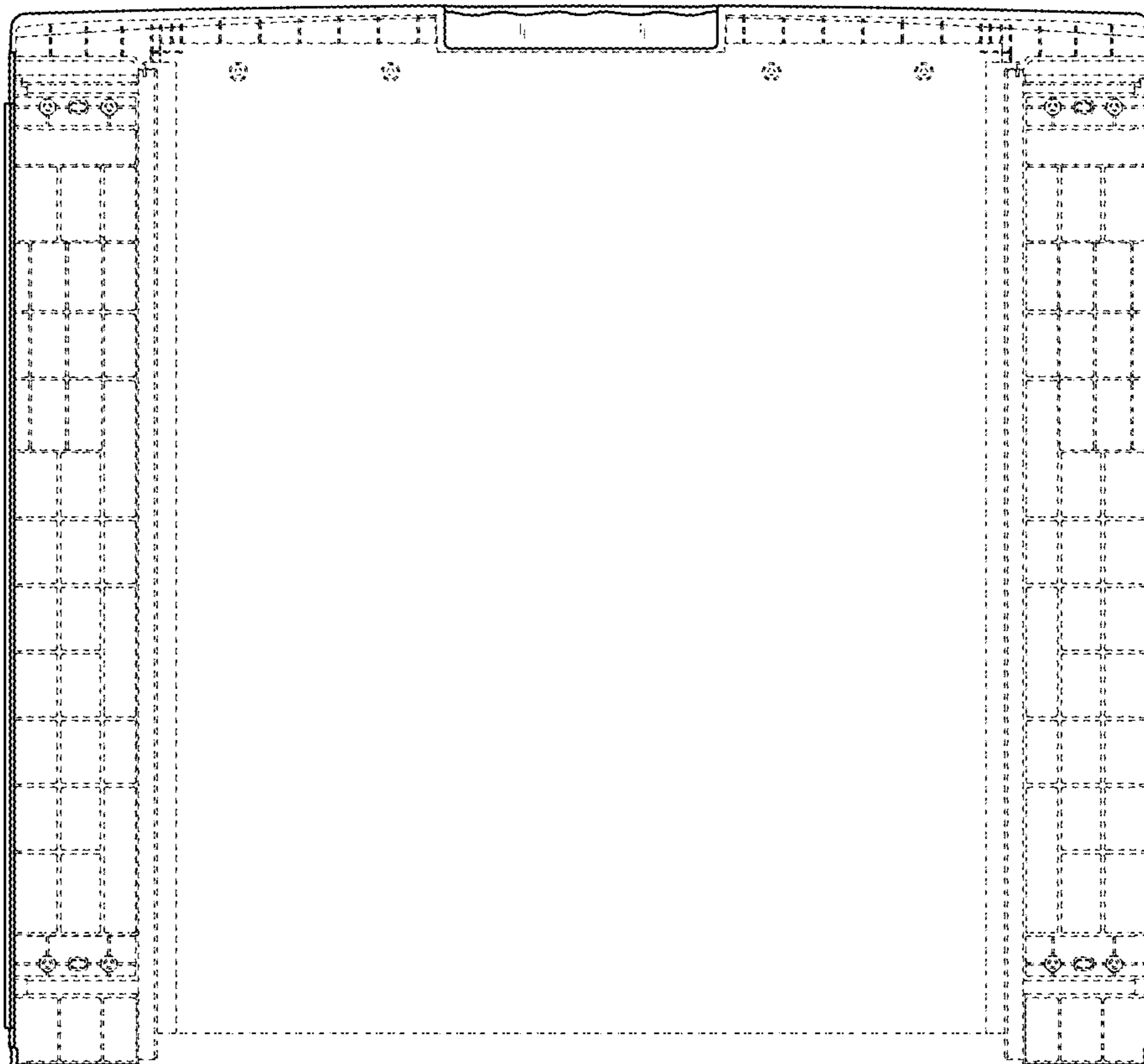


FIG. 8

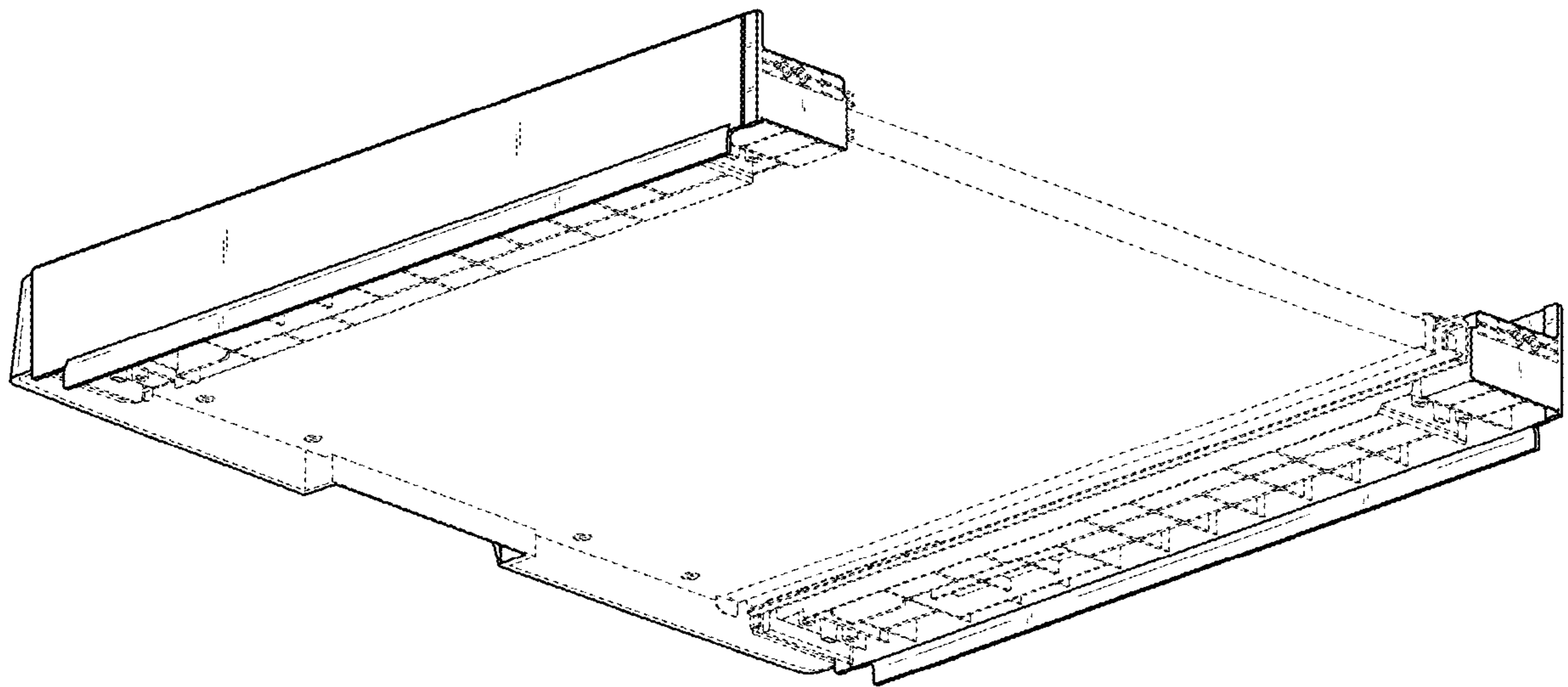


FIG. 9

