

US00D979863S

(12) **United States Design Patent** (10) **Patent No.:** **US D979,863 S**  
**Vanderstegen-Drake et al.** (45) **Date of Patent:** **\*\* \*Feb. 28, 2023**

(54) **VACUUM CLEANER**

(71) Applicant: **Dyson Technology Limited**, Wiltshire (GB)

(72) Inventors: **Mark Stamford Vanderstegen-Drake**, Gloucester (GB); **Peter David Gammack**, Gloucester (GB); **Jonathan George Marsh**, Swindon (GB); **Adam James Bates**, Oxford (GB)

(73) Assignee: **Dyson Technology Limited**, Wiltshire (GB)

(\*) Notice: This patent is subject to a terminal disclaimer.

(\*\*) Term: **15 Years**

(21) Appl. No.: **29/696,270**

(22) Filed: **Jun. 26, 2019**

**Related U.S. Application Data**

(63) Continuation of application No. 29/667,877, filed on Oct. 25, 2018, now Pat. No. Des. 857,314, which is a (Continued)

(30) **Foreign Application Priority Data**

Sep. 24, 2012 (EM) ..... 001344600-0001

(51) **LOC (14) Cl.** ..... **15-05**

(52) **U.S. Cl.**  
USPC ..... **D32/21**

(58) **Field of Classification Search**  
USPC ..... D32/21, 31; D21/526, 578; D8/70, 310, D8/330; D10/37, 38, 50, 106.2, 106.5; D13/108, 209  
CPC . A47L 5/08; A47L 5/30; A47L 7/0004; A47L 9/04; A47L 9/168; A47L 9/2805; A47L 9/2873; A47L 11/4011; A47L 11/4016; A47L 11/4038; A47L 11/4041;

(Continued)

(56) **References Cited**

U.S. PATENT DOCUMENTS

D527,854 S 9/2006 Marzynski  
D548,411 S 8/2007 Schröter  
(Continued)

FOREIGN PATENT DOCUMENTS

CN 302468212 \* 6/2013

OTHER PUBLICATIONS

Dyson 360 Heurist—Dyson Is Thinking Outside the Box!—Robot Vacuum Review, announced in YouTube on Sep. 20, 2019 [online], [site visited Jul. 9, 2021], <https://www.youtube.com/watch?v=zDVI6EP42FY> (Year: 2019).\*

(Continued)

*Primary Examiner* — Jennifer Rivard

*Assistant Examiner* — Jennylou M Binas

(74) *Attorney, Agent, or Firm* — Faegre Drinker Biddle & Reath LLP

(57) **CLAIM**

We claim the ornamental design for a vacuum cleaner, as shown and described.

**DESCRIPTION**

FIG. 1 is a perspective view of a vacuum cleaner showing our new design;

FIG. 2 is a top view thereof;

FIG. 3 is a front view thereof;

FIG. 4 is a side view thereof;

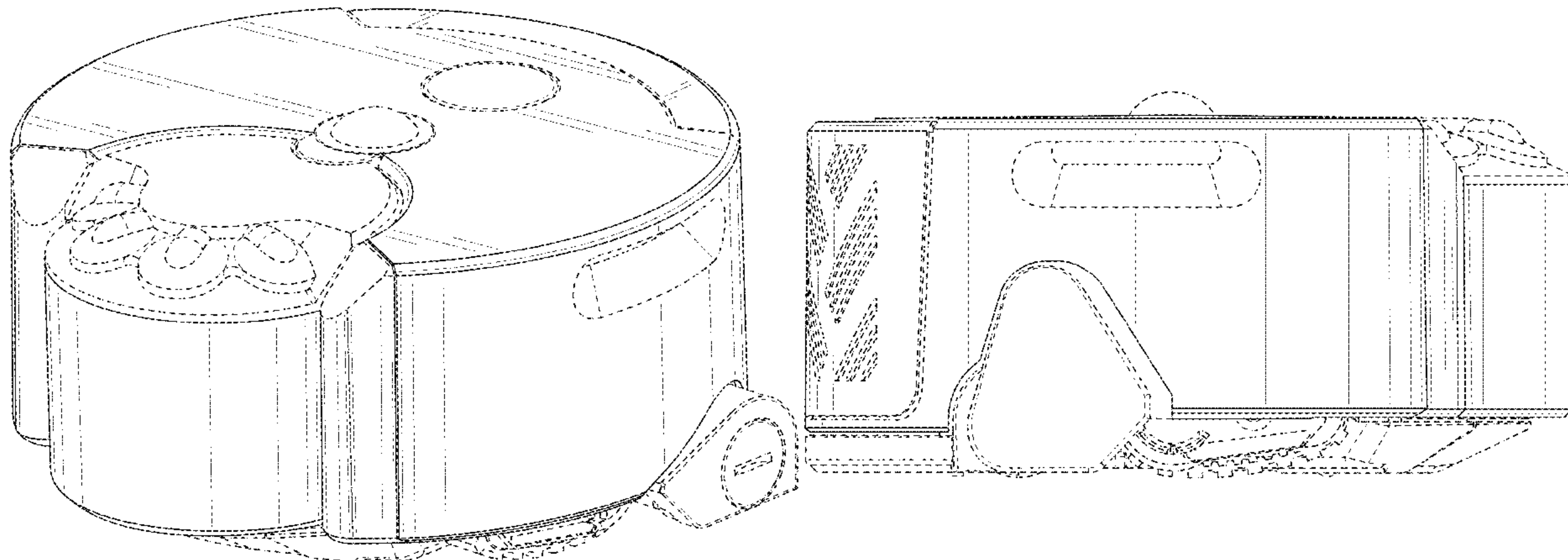
FIG. 5 is a rear view thereof;

FIG. 6 is a side view of the opposite side of FIG. 4; and,

FIG. 7 is a bottom view thereof.

The details of the vacuum cleaner shown in broken lines form no part of the claimed design.

**1 Claim, 7 Drawing Sheets**





**Related U.S. Application Data**

continuation of application No. 29/614,972, filed on Aug. 24, 2017, now Pat. No. Des. 834,774, which is a continuation of application No. 29/588,299, filed on Dec. 20, 2016, now Pat. No. Des. 798,514, which is a continuation of application No. 29/555,300, filed on Feb. 19, 2016, now Pat. No. Des. 778,013, which is a continuation of application No. 29/474,610, filed on Nov. 24, 2014, now Pat. No. Des. 753,356, which is a continuation of application No. 29/450,789, filed on Mar. 22, 2013, now Pat. No. Des. 718,911.

(58) **Field of Classification Search**

CPC ..... A47L 11/4044; A47L 2201/02; A47L 2201/04; A47L 2201/06; B25J 9/0003; B25J 9/1694; E04H 4/1636; G05D 1/0225; G06N 3/008

See application file for complete search history.

(56) **References Cited**

U.S. PATENT DOCUMENTS

D548,902	S	8/2007	Chun et al.	
D556,961	S	12/2007	Swyst et al.	
7,441,298	B2	10/2008	Svensden et al.	
D586,959	S	2/2009	Geringer et al.	
D593,265	S	5/2009	Carr et al.	
D596,815	S	7/2009	Baek	
7,832,048	B2	11/2010	Harwig et al.	
D658,341	S	4/2012	Nam et al.	
D659,920	S	5/2012	Lee et al.	
D661,032	S	5/2012	Lee et al.	
D661,439	S	6/2012	Lee et al.	
D661,440	S	6/2012	Lee et al.	
D665,547	S	8/2012	Nam et al.	
D669,235	S	10/2012	Bassett et al.	
D670,877	S	11/2012	Geringer et al.	
8,370,985	B2	2/2013	Schnittman et al.	
8,438,695	B2	5/2013	Gilbert, Jr. et al.	
D690,478	S	9/2013	Li	
D690,887	S *	10/2013	Lee .....	D32/21
D691,337	S	10/2013	Kim et al.	
8,584,307	B2	11/2013	Won et al.	
8,627,542	B2	1/2014	Kim et al.	
D710,558	S	8/2014	Mitchell et al.	
D710,559	S	8/2014	Mitchell et al.	
D718,911	S	12/2014	Vanderstegen-Drake et al.	
D753,356	S	4/2016	Vanderstegen-Drake et al.	
D764,726	S	8/2016	Vanderstegen-Drake et al.	
D768,343	S	10/2016	Vanderstegen-Drake et al.	
D775,439	S	12/2016	Vanderstegen-Drake et al.	
D776,375	S	1/2017	Mitchell et al.	
D778,013	S	1/2017	Vanderstegen-Drake et al.	
D779,747	S	2/2017	Vanderstegen-Drake et al.	
D779,748	S	2/2017	Vanderstegen-Drake et al.	
D779,749	S	2/2017	Gammack et al.	
D780,389	S	2/2017	Mitchell et al.	
D798,514	S	9/2017	Vanderstegen-drake	
D807,599	S *	1/2018	Nam .....	D32/21
D818,225	S *	5/2018	Nam .....	D32/21
D818,226	S *	5/2018	Nam .....	D32/21
D827,233	S *	8/2018	Nam .....	D32/21
D834,774	S	11/2018	Vanderstegen-drake	
D857,314	S *	8/2019	Vanderstegen-Drake .....	D32/21
D924,508	S *	7/2021	Zhang .....	D32/21
D926,728	S *	8/2021	He .....	D14/214
D927,105	S *	8/2021	Choi .....	D32/21
D927,107	S *	8/2021	Choi .....	D32/21
D935,118	S *	11/2021	Lee .....	D32/21
D935,711	S *	11/2021	Han .....	D32/21
2006/0288519	A1	12/2006	Jaworski et al.	
2007/0266508	A1	11/2007	Jones et al.	
2011/0191976	A1	8/2011	Yan	
2012/0023699	A1	2/2012	Shim et al.	

2012/0047676	A1	3/2012	Jung et al.	
2012/0084934	A1	4/2012	Li	
2012/0317744	A1	12/2012	Gilbert, Jr. et al.	
2012/0317745	A1	12/2012	Jung et al.	
2013/0025085	A1	1/2013	Kim et al.	
2013/0061415	A1 *	3/2013	Samuels .....	B60L 53/14 15/319
2013/0061417	A1	3/2013	Vanderstegen-Drake et al.	
2013/0061420	A1 *	3/2013	Vanderstegen-Drake .....	A47L 9/04 15/347
2013/0086760	A1	4/2013	Han et al.	
2013/0087393	A1 *	4/2013	Vanderstegen-Drake .....	B60L 50/52 180/9.1
2013/0152332	A1	6/2013	Jang	
2013/0305483	A1 *	11/2013	Dyson .....	A47L 9/1616 15/353
2013/0305484	A1	11/2013	Dyson et al.	
2013/0340201	A1	12/2013	Jang et al.	
2014/0312813	A1	10/2014	Murchie et al.	
2016/0058259	A1	3/2016	Mitchell et al.	
2020/0022552	A1 *	1/2020	Han .....	A47L 9/2873
2020/0054185	A1 *	2/2020	Kim .....	G05D 1/0285
2020/0383546	A1 *	12/2020	Kim .....	A47L 9/2889

OTHER PUBLICATIONS

HydroTools by Swimline Weighted Half Moon Pool Vacuum Head, available in Amazon.com, customer review oldest date Aug. 27, 2014 [online], [site visited Mar. 22, 2021], Available from the internet URL: [https://www.amazon.com/HydroTools-Swimline-Weighted-Half-Vacuum/dp/B002FGU2NM/ref=sr\\_1\\_1?dchild=1&keywords=HydroTools+by+Swimline+Weighted+Half+Moon&qid=1616425175&s=lawn-garden&sr=1-1](https://www.amazon.com/HydroTools-Swimline-Weighted-Half-Vacuum/dp/B002FGU2NM/ref=sr_1_1?dchild=1&keywords=HydroTools+by+Swimline+Weighted+Half+Moon&qid=1616425175&s=lawn-garden&sr=1-1) (Year: 2014).\*

LG R9 CordZero ThinQ Robot Vacuum, announced in YouTube on Mar. 20, 2019 [online], [site visited Jul. 9, 2021], [https://www.youtube.com/watch?v=kAe-r\\_V2Ujk&feature=youtu.be](https://www.youtube.com/watch?v=kAe-r_V2Ujk&feature=youtu.be) (Year: 2019).\*

The Most Futuristic Robotic Vacuum, announced in YouTube on Aug. 30, 2016 [online], [site visited Jul. 9, 2021], Available from the internet URL: [https://www.youtube.com/watch?v=Anr\\_VMs1hIQ](https://www.youtube.com/watch?v=Anr_VMs1hIQ) (Year: 2016).\*

Gammack et al., U.S. Office Action dated Aug. 16, 2016, directed to U.S. Appl. No. 29/519,102; 12 pages.

Gammack et al., U.S. Office Action dated May 3, 2016, directed to U.S. Appl. No. 29/519,102; 7 pages.

Mitchell et al, U.S. Office Action dated Jan. 24, 2014, directed to U.S. Appl. No. 29/450,792; 9 pages.

Mitchell et al, U.S. Office Action dated Jan. 27, 2014, directed to U.S. Appl. No. 29/450,791; 8 pages.

Mitchell et al., U.S. Office Action dated Aug. 12, 2016, directed to U.S. Appl. No. 29/519,095; 10 pages.

Mitchell et al., U.S. Office Action dated May 20, 2016, directed to U.S. Appl. No. 29/519,094; 10 pages.

Mitchell et al., U.S. Office Action dated May 3, 2016, directed to U.S. Appl. No. 29/519,095; 6 pages.

Vanderstegen-Drake et al., U.S. Office Action dated Apr. 22, 2015, directed to U.S. Appl. No. 29/474,610; 6 pages.

Vanderstegen-Drake et al., U.S. Office Action dated Apr. 3, 2018, directed to U.S. Appl. No. 29/614,972; 5 pages.

Vanderstegen-Drake et al., U.S. Office Action dated Aug. 12, 2015, directed to U.S. Appl. No. 29/474,610; 10 pages.

Vanderstegen-Drake et al., U.S. Office Action dated Aug. 15, 2016, directed to U.S. Appl. No. 29/519,093; 12 pages.

Vanderstegen-Drake et al., U.S. Office Action dated Aug. 16, 2016, directed to U.S. Appl. No. 29/519,097; 12 pages.

Vanderstegen-Drake et al., U.S. Office Action dated Jan. 27, 2014, directed to U.S. Appl. No. 29/450,789; 8 pages.

Vanderstegen-Drake et al., U.S. Office Action dated Jun. 27, 2014, directed to U.S. Appl. No. 29/450,789; 7 pages.

Vanderstegen-Drake et al., U.S. Office Action dated May 20, 2016, directed to U.S. Appl. No. 29/519,116; 6 pages.

(56)

**References Cited**

OTHER PUBLICATIONS

Vanderstegen-Drake et al., U.S. Office Action dated May 3, 2016, directed to U.S. Appl. No. 29/519,097; 6 pages.

Vanderstegen-Drake et al., U.S. Office Action dated May 3, 2016, directed to U.S. Appl. No. 29/519,118; 5 pages.

Vanderstegen-Drake et al., U.S. Office Action dated May 31, 2016, directed to U.S. Appl. No. 29/555,300; 9 pages.

Vanderstegen-Drake et al., U.S. Office Action dated May 4, 2016, directed to U.S. Appl. No. 29/519,093; 7 pages.

\* cited by examiner

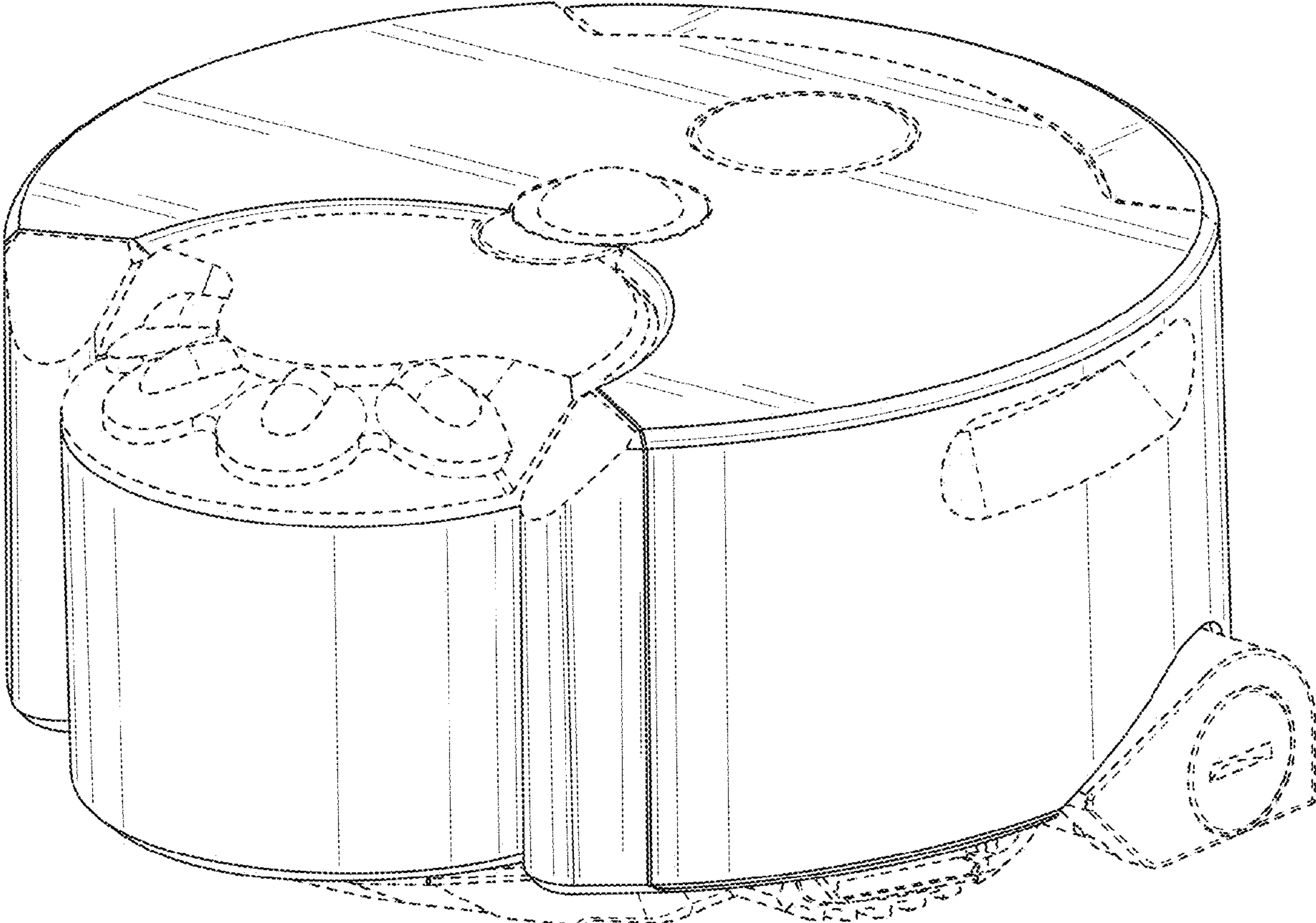


FIG. 1



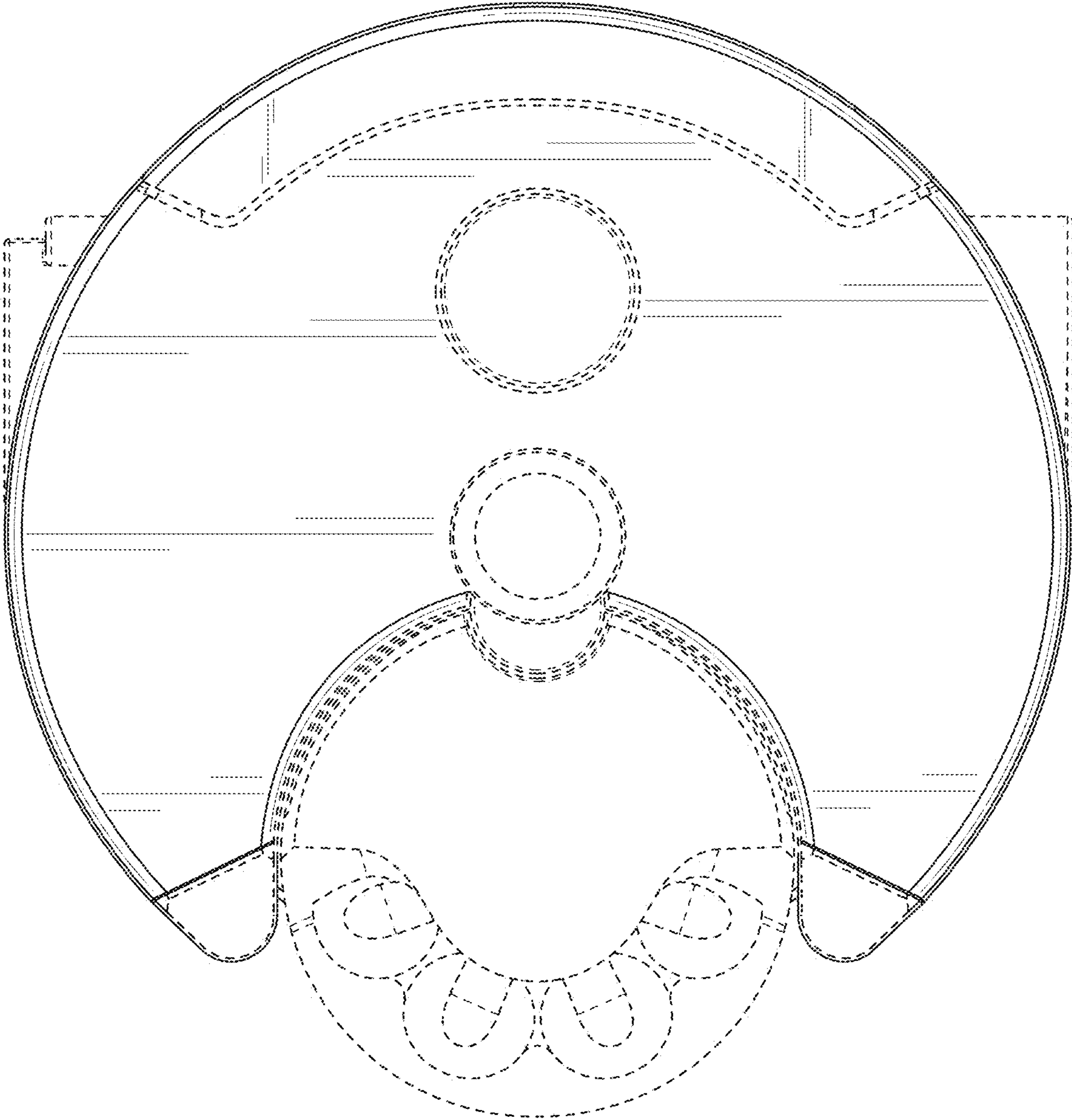


FIG. 2

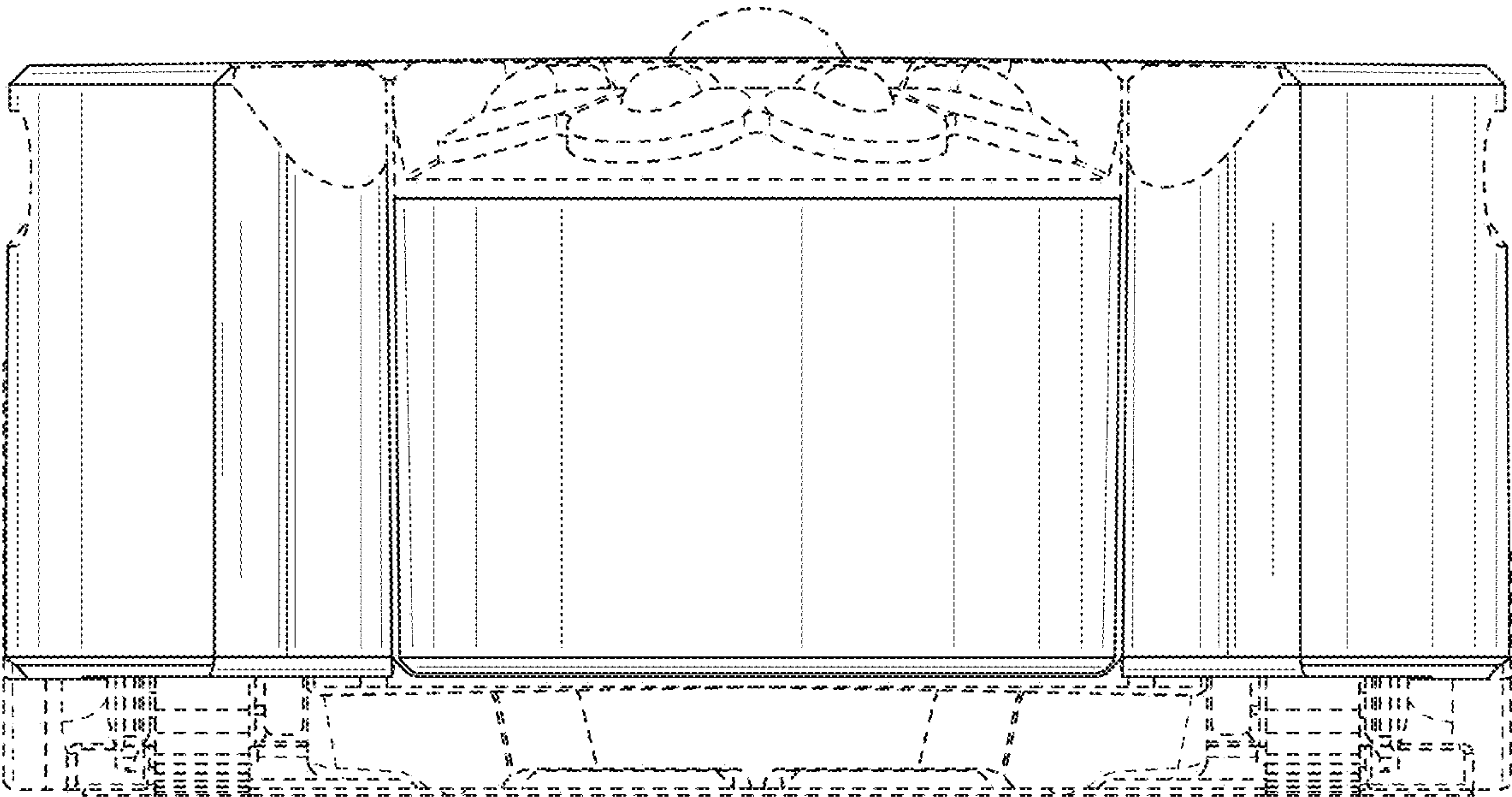


FIG. 3

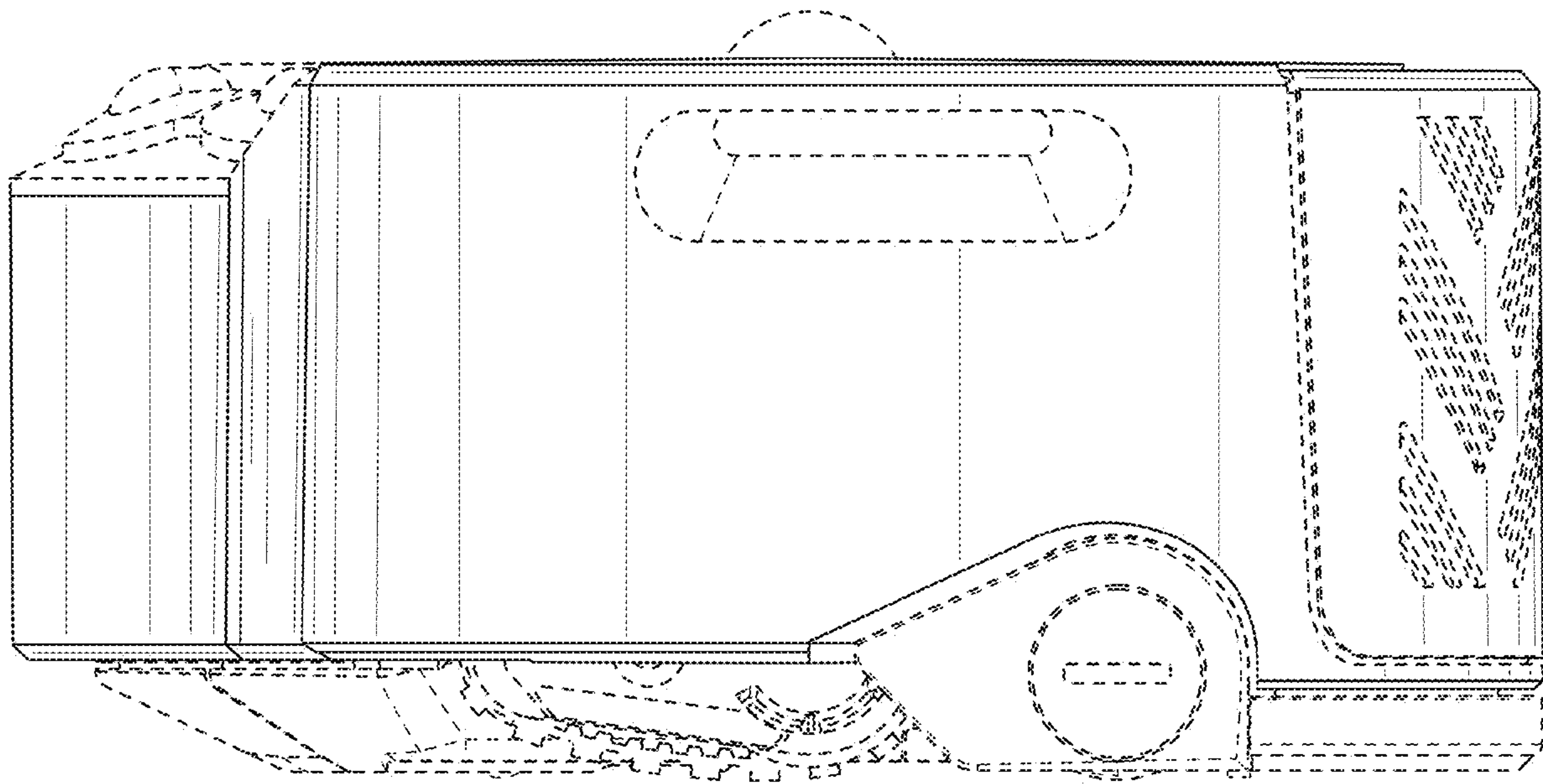


FIG. 4

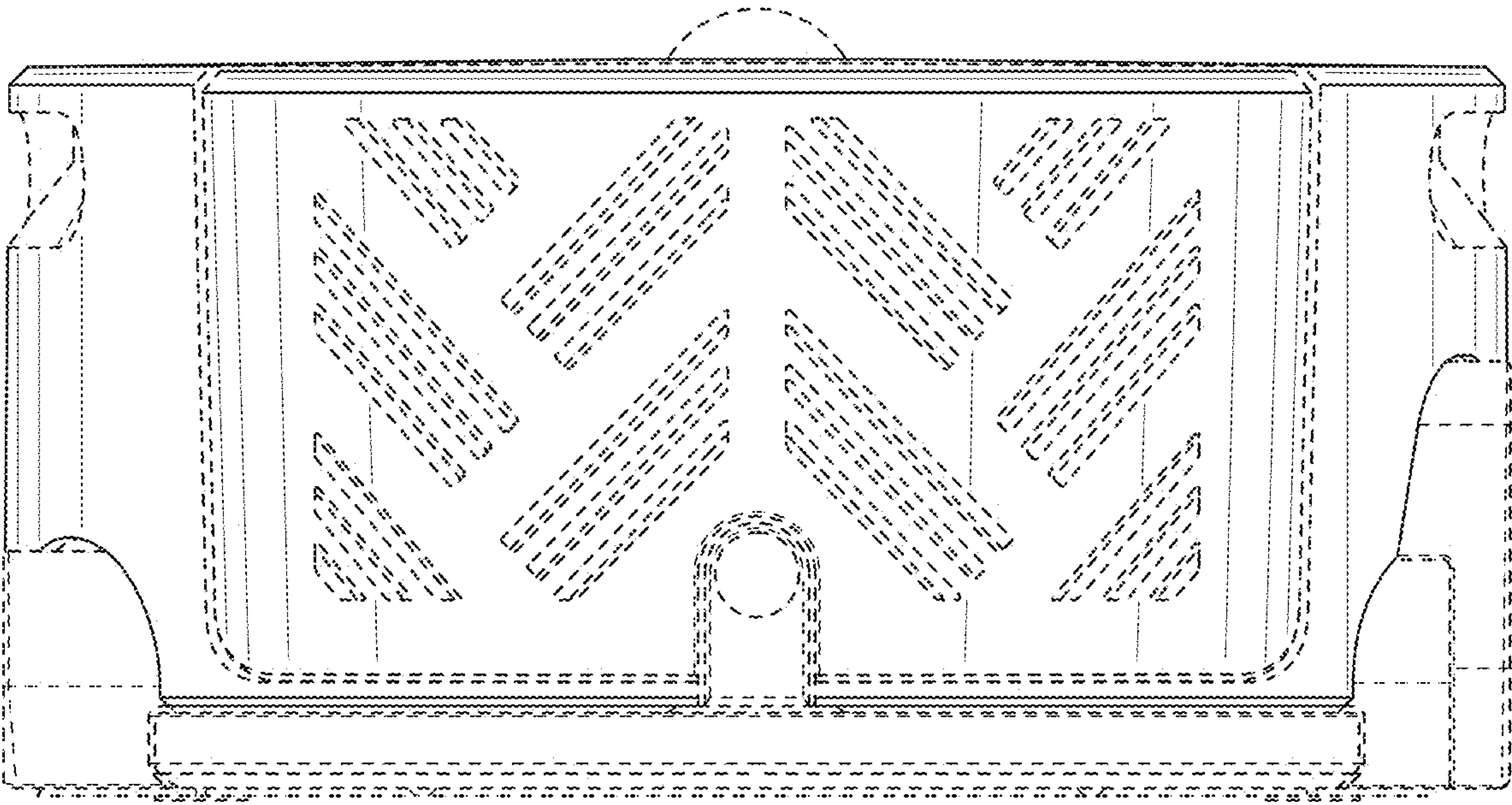


FIG. 5



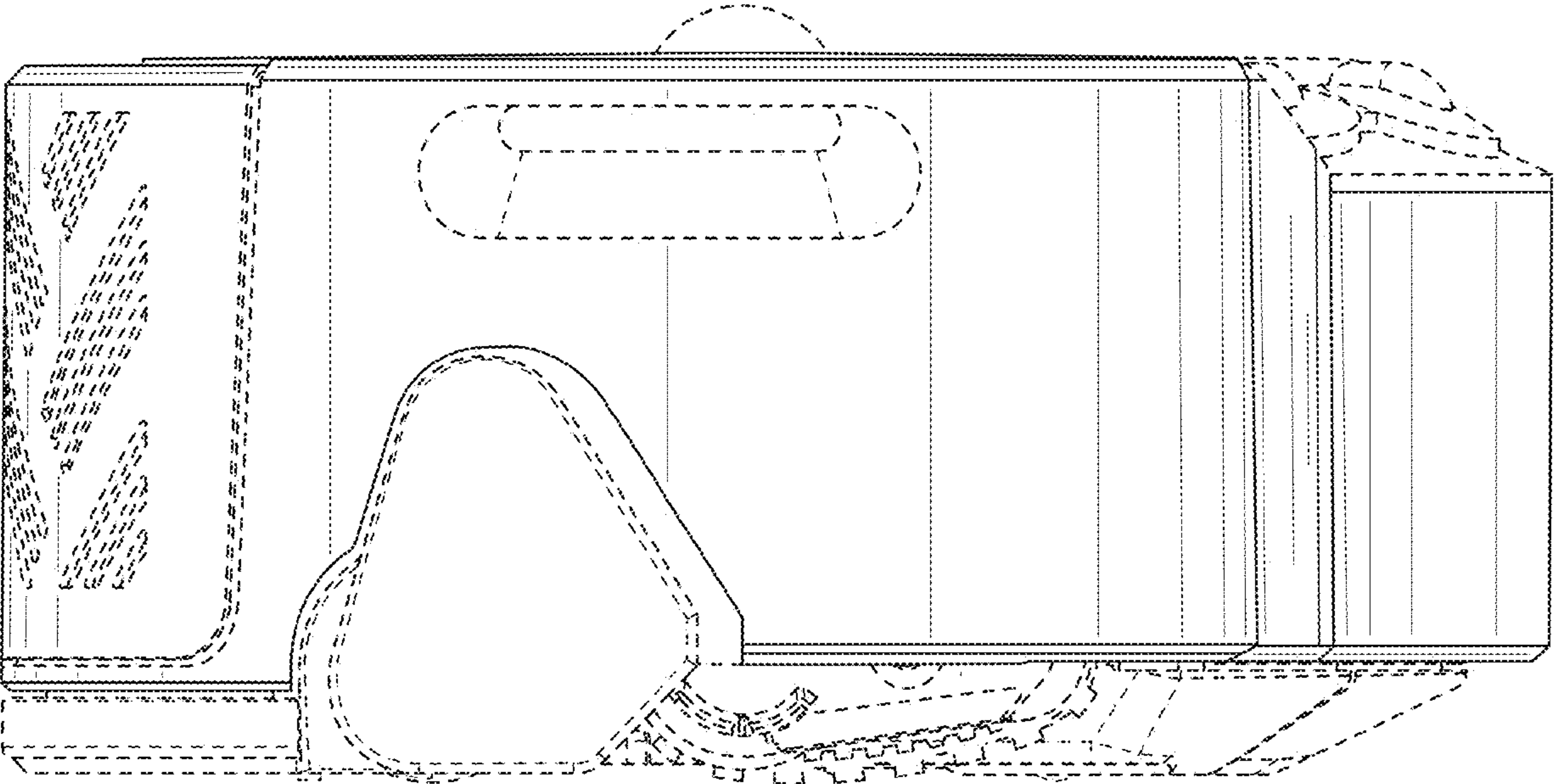


FIG. 6

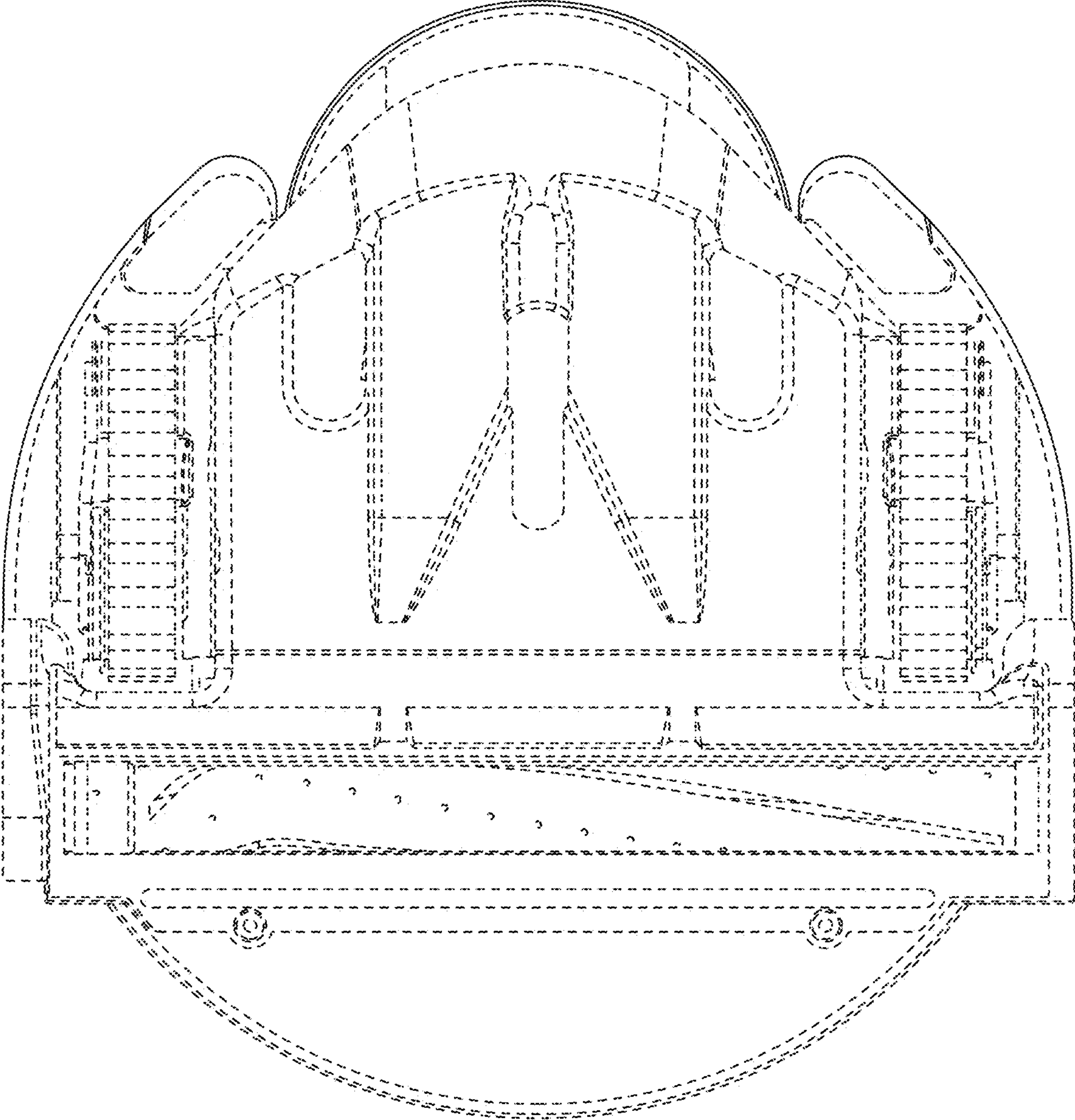


FIG. 7