



US00D979862S

(12) **United States Design Patent** (10) **Patent No.:** **US D979,862 S**
Jang et al. (45) **Date of Patent:** **** Feb. 28, 2023**

(54) **ANIMAL HARNESS**
(71) Applicant: **Firspurt Inc.**, Seoul (KR)
(72) Inventors: **Yong Joon Jang**, Seoul (KR); **Shin Woong Park**, Seoul (KR)
(73) Assignee: **Firspurt Inc.**, Seoul (KR)
(**) Term: **15 Years**
(21) Appl. No.: **35/512,226**
(22) Filed: **Jan. 22, 2021**
(80) **Hague Agreement Data**
Int. Filing Date: **Jan. 22, 2021**
Int. Reg. No.: **DM/214925**
Int. Reg. Date: **Jan. 22, 2021**
Int. Reg. Pub. Date: **Jul. 23, 2021**

(30) **Foreign Application Priority Data**
Jan. 13, 2021 (KR) 30-2021-0001895
(51) **LOC (14) Cl.** **30-04**
(52) **U.S. Cl.**
USPC **D30/152**
(58) **Field of Classification Search**
USPC D30/144, 145, 151, 152; D29/101.1,
D29/101.3, 101.4, 101.5; D24/190
CPC A01K 27/002
See application file for complete search history.

(56) **References Cited**
U.S. PATENT DOCUMENTS
6,314,915 B1 * 11/2001 Pope A01K 27/002
119/858
D523,188 S * 6/2006 Lord D30/152
D555,289 S * 11/2007 Escarcega D29/101.3
D653,410 S * 1/2012 Morton D30/152
D685,144 S * 6/2013 Etheredge D30/153

D905,353 S * 12/2020 Giesen D30/152
D915,002 S * 3/2021 Sebo D30/152
D936,914 S * 11/2021 Deng D30/152
2017/0099807 A1 * 4/2017 Northrop A01K 13/006
2018/0303068 A1 * 10/2018 Chen A01K 27/006
2020/0100469 A1 * 4/2020 Elam A01K 27/004
2021/0127638 A1 * 5/2021 Kornegay A01K 27/002
2022/0022424 A1 * 1/2022 Reny A01K 27/002

OTHER PUBLICATIONS

“Firspurt: Tail High—Hybrid Dog Harness”. Found online Apr. 15, 2022 at facebook.com. Reference dated Jul. 14, 2020. Retrieved from <https://www.facebook.com/bkid.design/photos/a.1567669883529158/2328792334083572/>.
“DogLED: LED Harness”. Found online Apr. 15, 2022 at facebook.com. Reference dated Jun. 22, 2018. Retrieved from <https://www.facebook.com/dogledcn/photos/a.353320665194257/353320631860927/>.

(Continued)

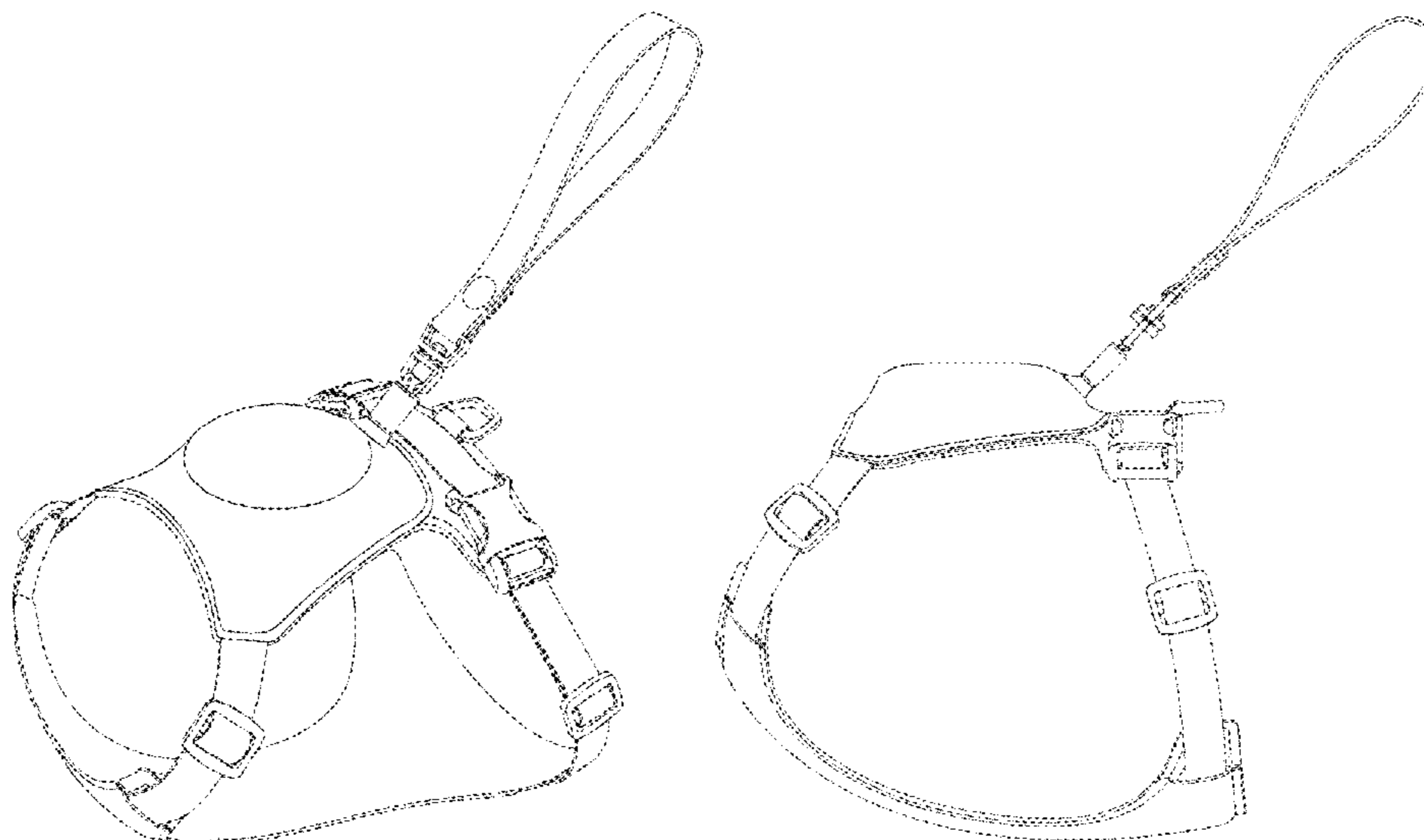
Primary Examiner — Kendra Leslie Hamilton
(74) *Attorney, Agent, or Firm* — The PL Law Group, PLLC

(57) **CLAIM**
The ornamental design for an animal harness, as shown and described.

DESCRIPTION

1. Animal harness
1.1: Perspective
1.2: Perspective
1.3: Front
1.4: Back
1.5: Top
1.6: Bottom
1.7: Left
1.8: Right
The broken lines in the reproductions depict portions of the animal harness that form no part of the claimed design.

1 Claim, 8 Drawing Sheets



(56)

References Cited

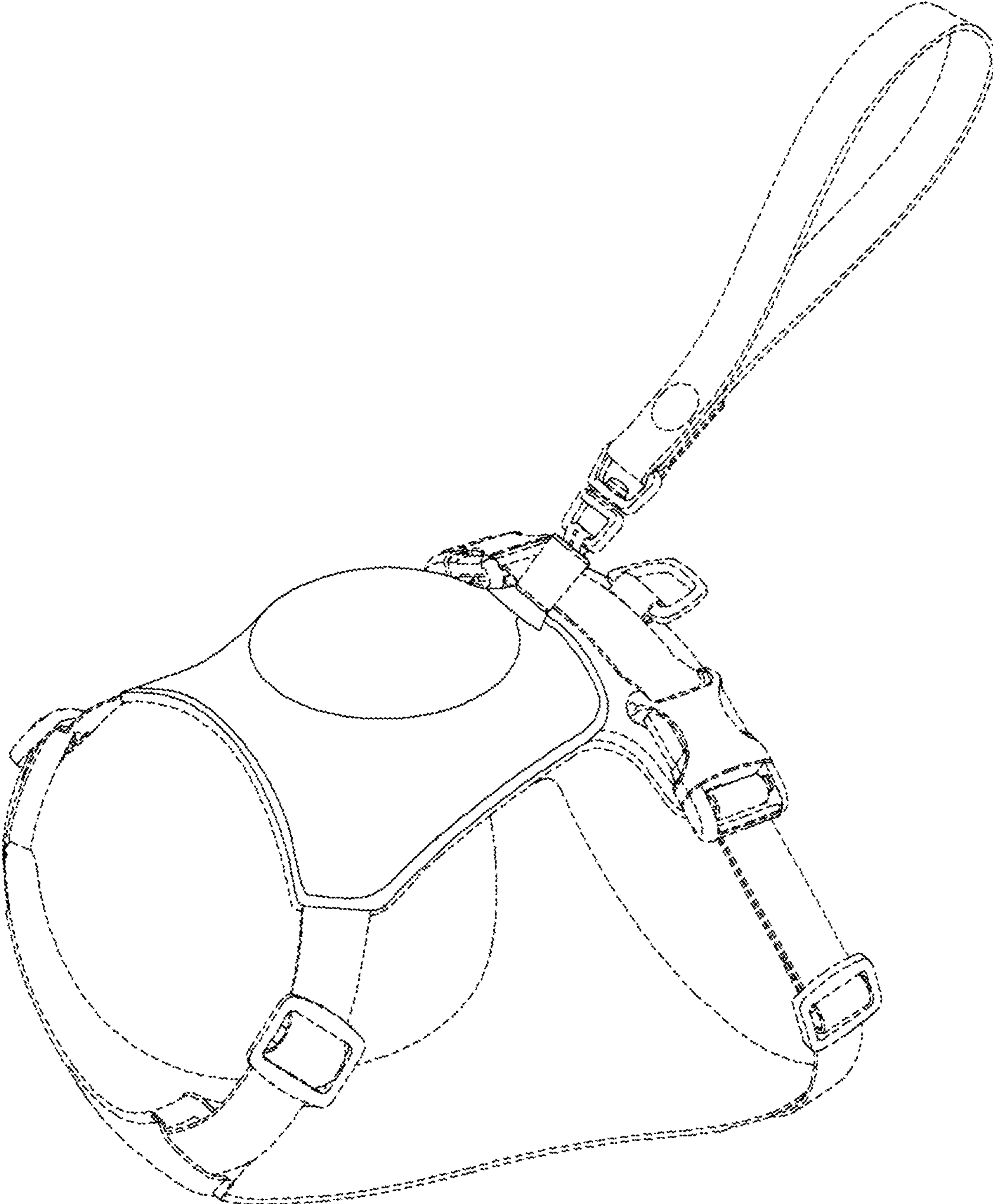
OTHER PUBLICATIONS

“SuperCollar: Retractable Leash-Collar”. Found online Dec. 26, 2017 at amazon.com. Reference dated Aug. 31, 2011. Retrieved from https://www.amazon.com/Supercollar®-MODEL-2011L-Supercollar-Large/dp/B003ZFZMBO/ref=cm_cr_arp_d_product_top?ie=UTF8.*

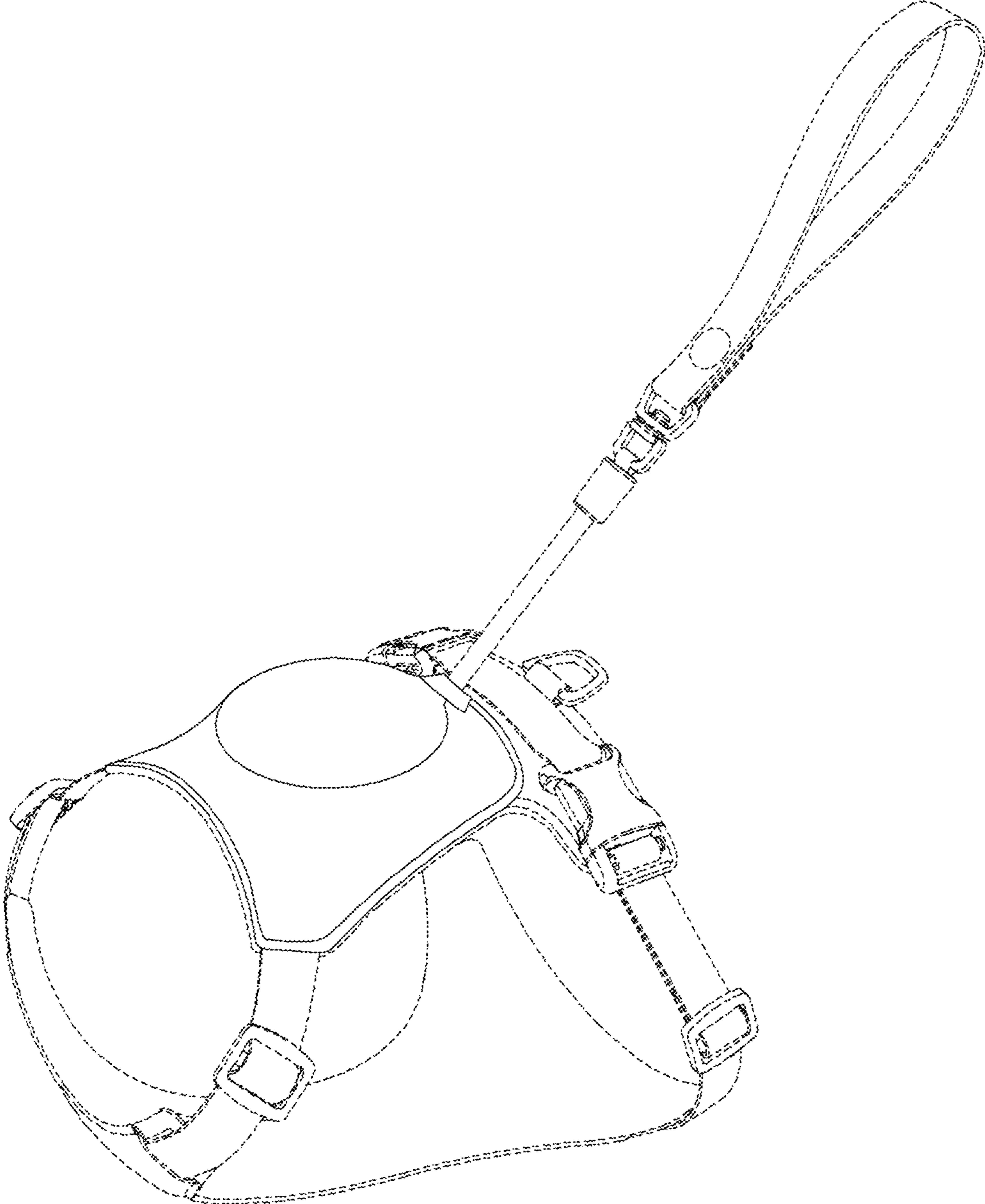
“ThinkPet: No-Pull Breathable Sport-Dog Harness”. Found online Dec. 28, 2021 at amazon.co.uk. Reference dated Jul. 19, 2018. Retrieved from <https://www.amazon.co.uk/dp/B07FN4HNXM/>.*

* cited by examiner

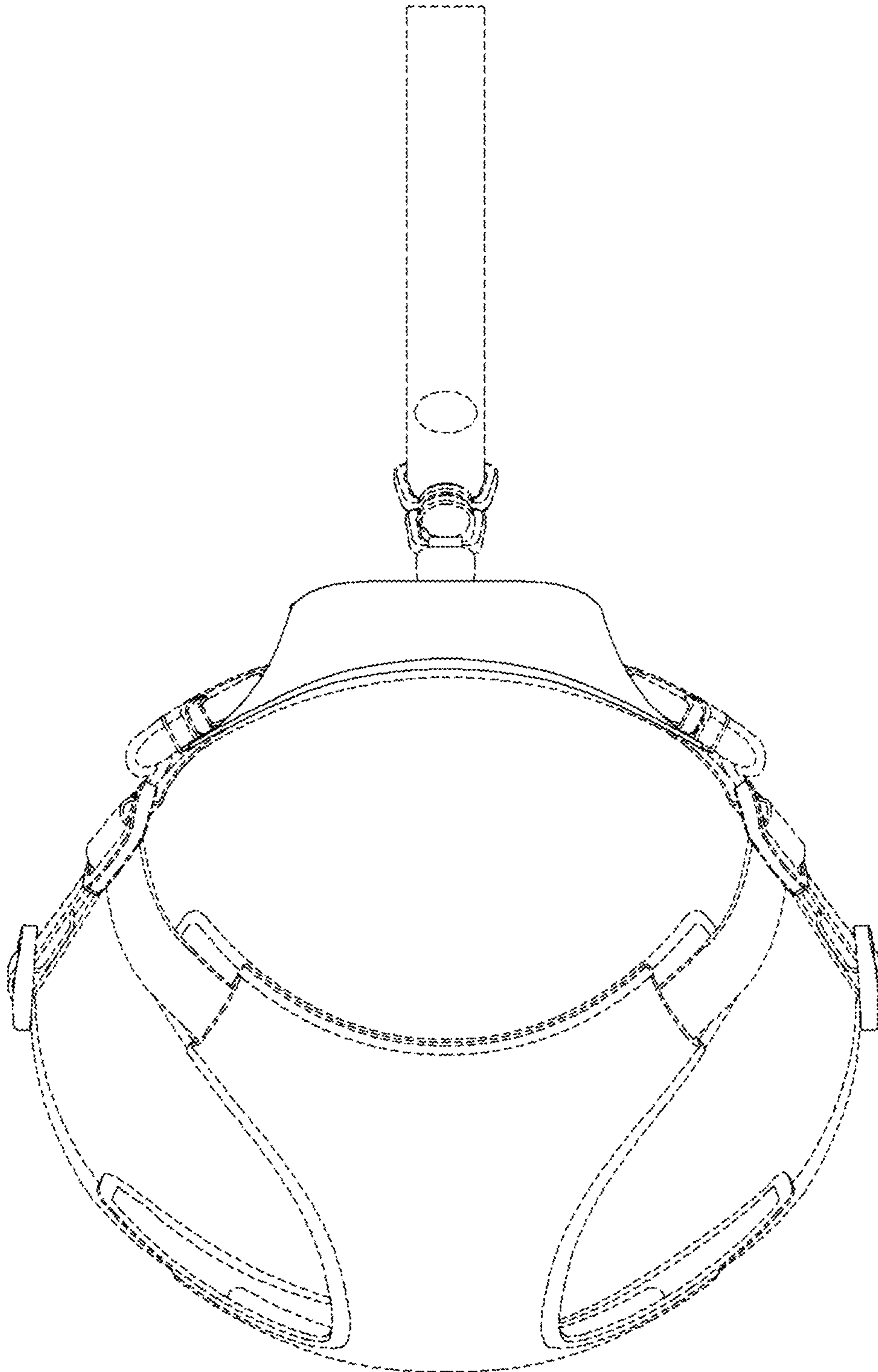
1.1



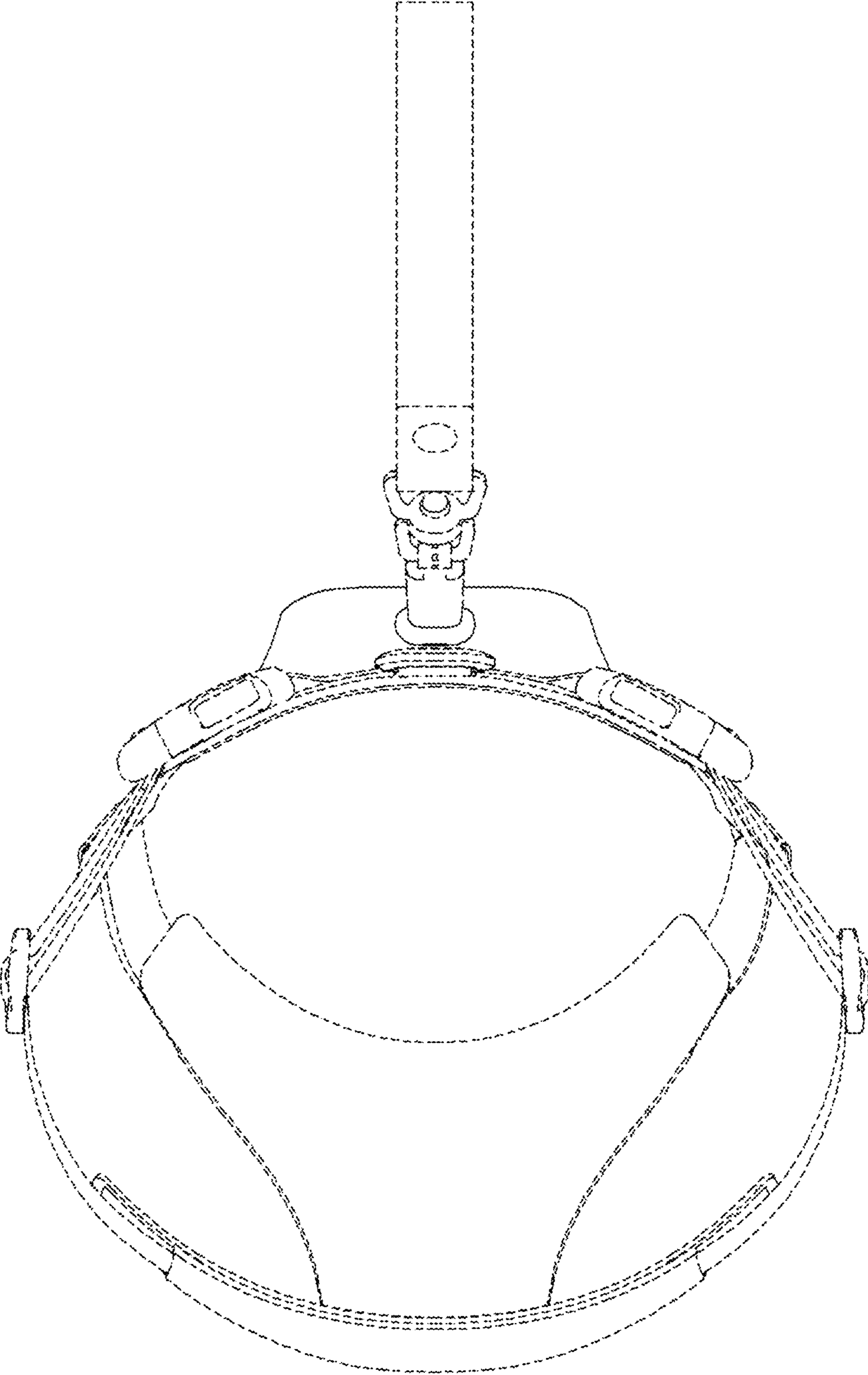
1.2



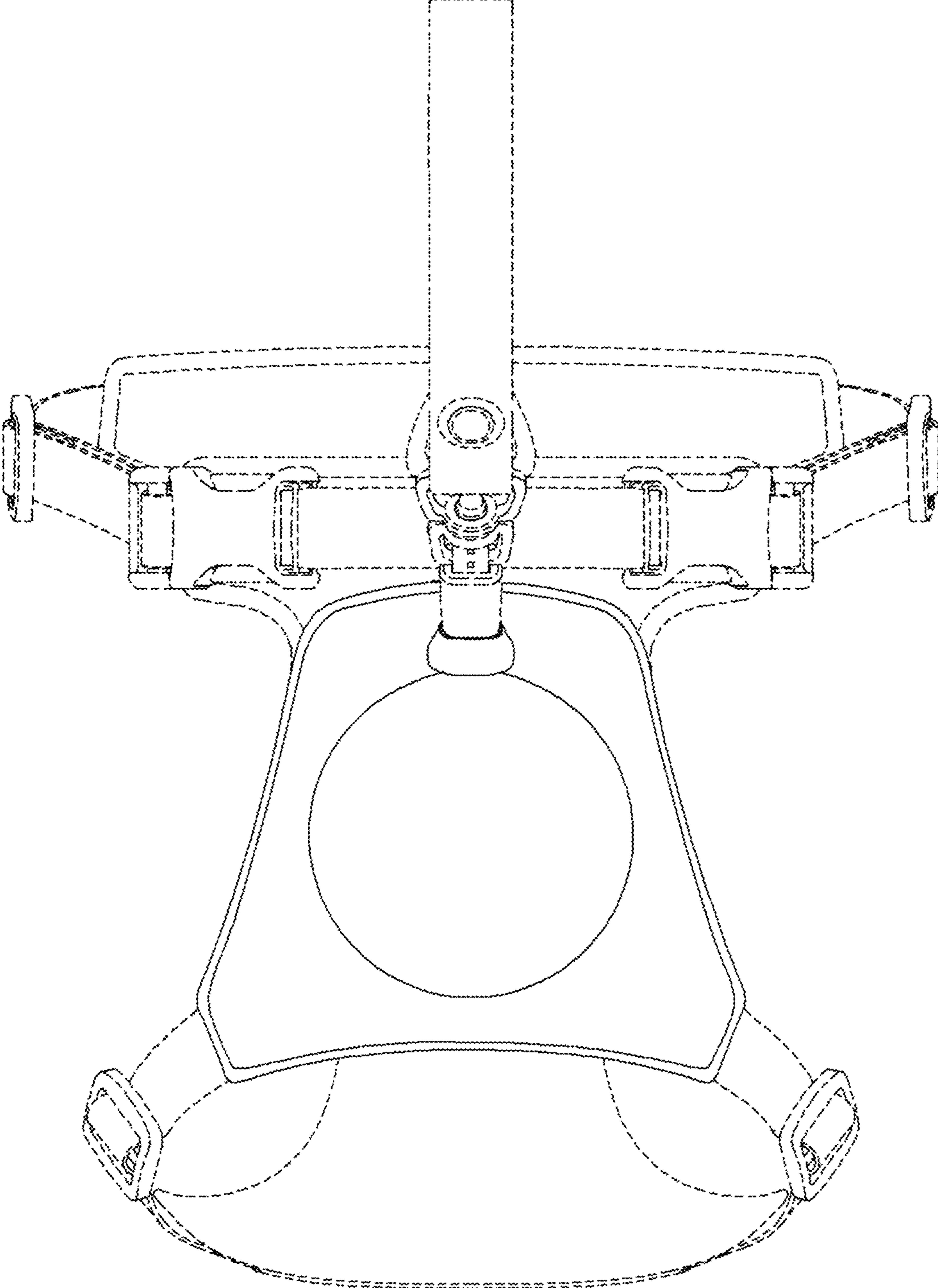
1.3



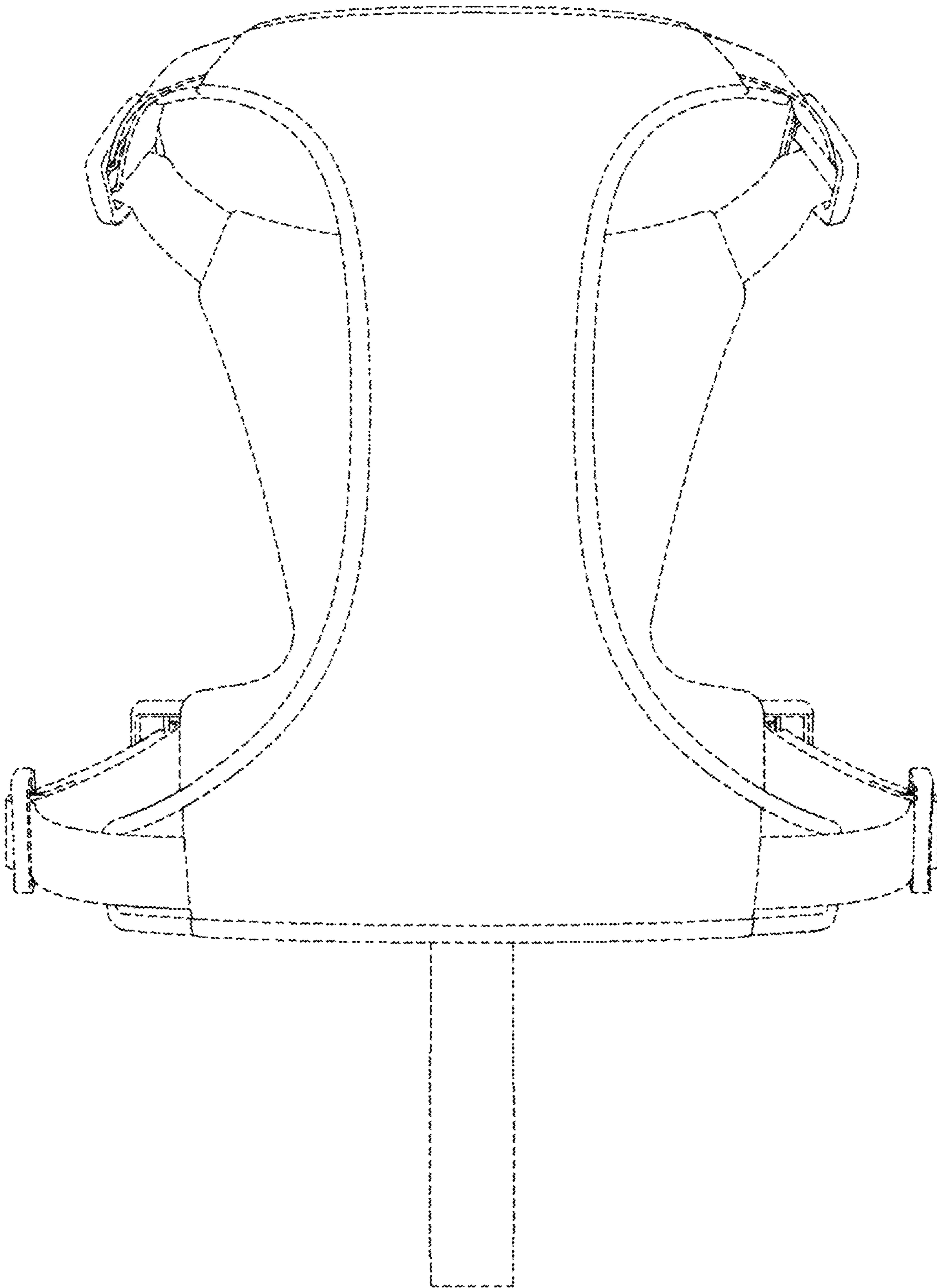
1.4



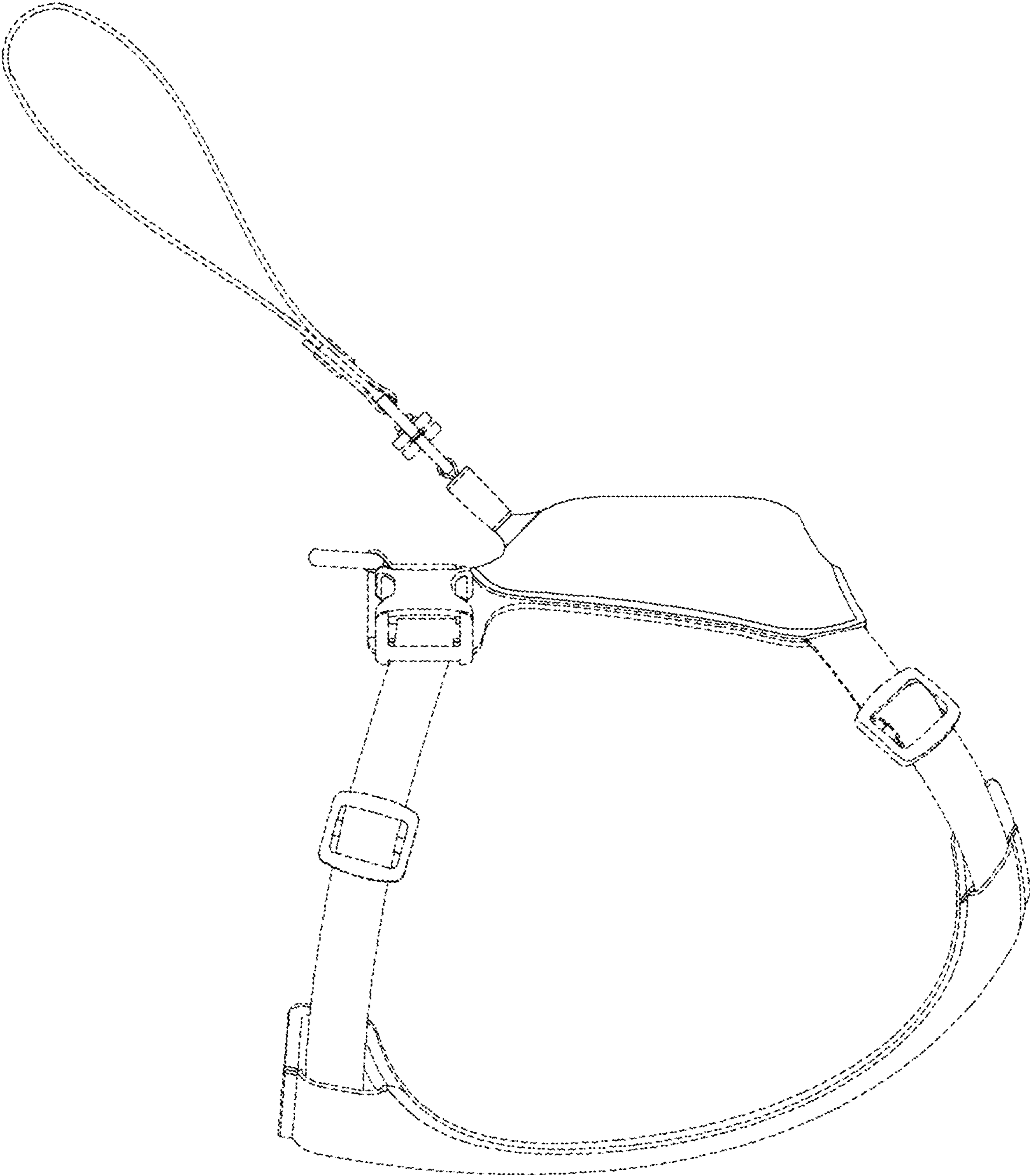
1.5



1.6



1.7



1.8

