



US00D979859S

(12) **United States Design Patent** (10) **Patent No.:** **US D979,859 S**
Zhou (45) **Date of Patent:** **** Feb. 28, 2023**

- (54) **PET FEEDING TABLE**
- (71) Applicant: **Wenzhou Juesheng Trading Co., Ltd.**,
Wenzhou (CN)
- (72) Inventor: **Chenming Zhou**, Wenzhou (CN)
- (73) Assignee: **Wenzhou Juesheng Trading Co., Ltd.**,
Wenzhou (CN)
- (**) Term: **15 Years**
- (21) Appl. No.: **29/850,445**
- (22) Filed: **Aug. 19, 2022**
- (51) **LOC (14) Cl.** **30-03**
- (52) **U.S. Cl.**
USPC **D30/133**
- (58) **Field of Classification Search**
USPC D30/110, 114, 115, 116, 121, 122, 124,
D30/125, 127, 128, 129, 130, 131, 132,
D30/133; D21/340
CPC A01K 5/0114; A01K 5/0121; A01K 5/02;
A01K 5/0291; A01K 5/025; A01K
5/0266; A01K 5/0275; A01K 5/0283;
A01K 5/0258; A01K 5/0142; A01K
5/0233; A01K 29/00; A01K 7/00; A01K
7/02; A01K 7/06; A01K 7/04; A01K
7/005; A01K 7/022; A01K 7/025; A01K
7/027; A01K 5/0216; A01K 39/02; G01F
11/24; G01F 23/02; B67D 1/0425; B67D
1/04; B67D 1/00; B67D 1/02; B67D
1/0871; B67D 1/0802; A47J 41/0033;
A47J 41/005; A47J 41/0088; A47J
41/0094; A47J 41/04; A47J 41/053; B05B
11/00; B05B 11/0002; B05B 11/0005;
B05B 11/001; B05B 17/08; B05B 17/085;
C02F 1/003; C02F 1/283; C02F 2307/02;
F04B 23/00; F04B 23/02; F04B 23/021;
F04B 23/026; B01D 35/30; Y10T
137/86035; Y10T 137/8376; Y10T
137/85954-85978

See application file for complete search history.

(56) **References Cited**

U.S. PATENT DOCUMENTS

- 4,699,089 A * 10/1987 Teschke A01K 7/005
119/51.5
- D324,990 S * 3/1992 Gary D7/619.1
- D335,007 S * 4/1993 McPhee D7/701

(Continued)

OTHER PUBLICATIONS

- HDPE Single Bottle Holders. TrippNT, calpaclub.com (online) 3 pages. Posted Unknown. [Retrieved Dec. 5, 2022] <https://www.calpaclub.com/hdpe-single-bottle-holders-500ml/tn-50569> (Year: NA) (Year: NA).*
- Premium Tilted Raised Single Food and Water Bowls. Yeppuppy, amazon.com (online) 11 pages. Posted Jan. 10, 2021. [Retrieved Dec. 5, 2022] <https://a.co/d/7XDy5hP> (Year: 2021).*

(Continued)

Primary Examiner — Kathleen L Jones
Assistant Examiner — Cole Sanders Holman
(74) *Attorney, Agent, or Firm* — ScienBiziP, P.C.

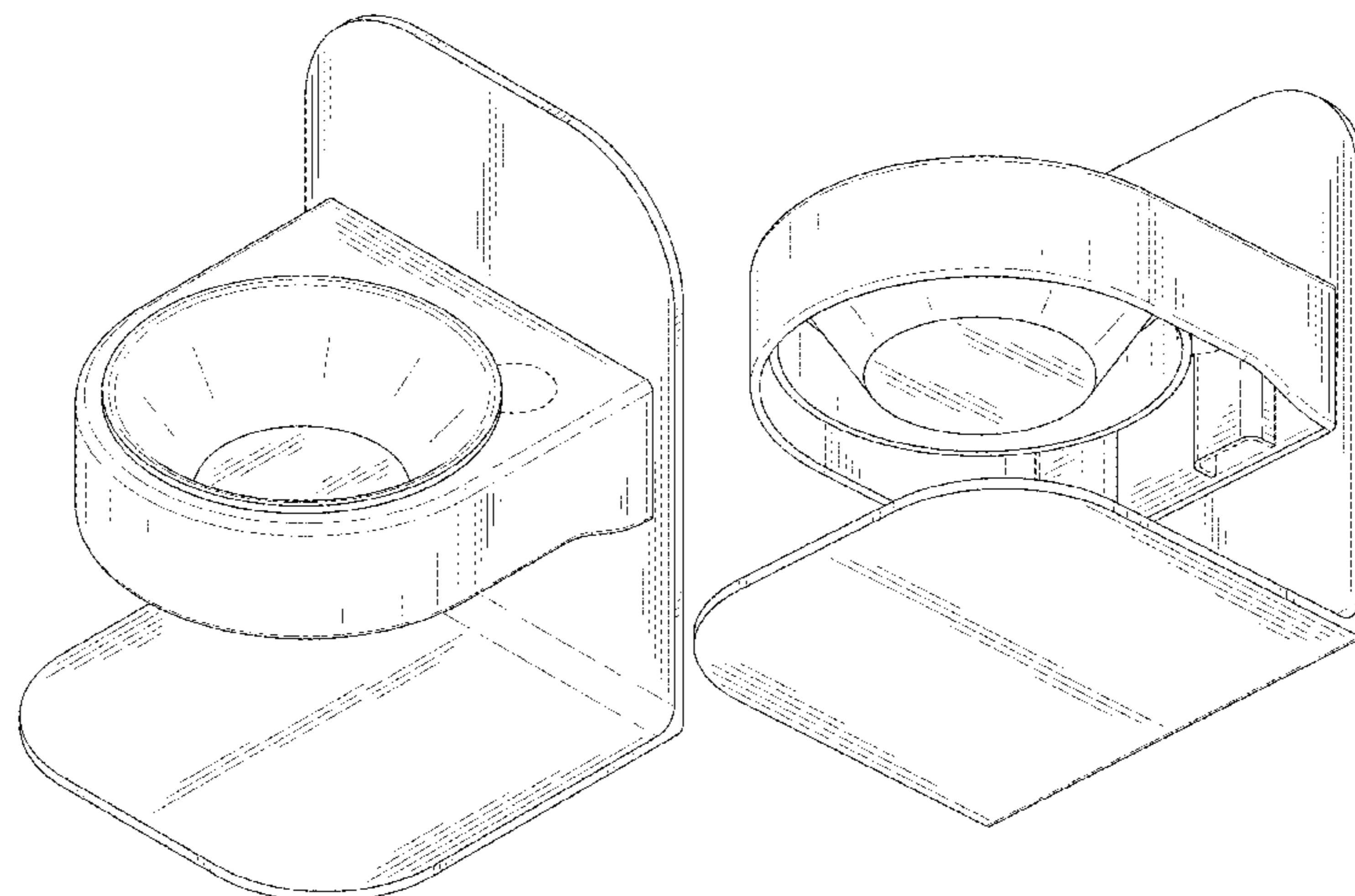
(57) **CLAIM**

The ornamental design for a pet feeding table, as shown and described.

DESCRIPTION

FIG. 1 is a front, right and top perspective view of a pet feeding table, showing my design.
FIG. 2 is a rear, left and bottom perspective view thereof.
FIG. 3 is a front, right and bottom perspective view thereof.
FIG. 4 is a front elevation view thereof.
FIG. 5 is a rear elevation view thereof.
FIG. 6 is a left side elevation view thereof.
FIG. 7 is a right side elevation view thereof.
FIG. 8 is a top plan view thereof; and,
FIG. 9 is a bottom plan view thereof.
The broken lines shown in the drawings are included for the purpose of illustrating portions of the pet feeding table that form no part of the claimed design.

1 Claim, 9 Drawing Sheets



(56)

References Cited

U.S. PATENT DOCUMENTS

5,318,266 A * 6/1994 Liu B60N 3/106
 248/292.12
 D377,244 S 1/1997 Steininger
 D465,188 S * 11/2002 McCoy D8/349
 D622,013 S * 8/2010 Aho D30/133
 8,146,534 B1 * 4/2012 Robertson A01K 7/005
 119/61.54
 D659,302 S * 5/2012 Rose D30/121
 D699,402 S 2/2014 Diskin
 D747,177 S * 1/2016 McGinty D8/380
 D854,759 S * 7/2019 Elliott D30/129
 10,412,929 B2 * 9/2019 Kasper A01K 5/0114
 D887,091 S * 6/2020 Patel D30/133
 D888,347 S * 6/2020 Price D30/133
 D922,000 S * 6/2021 Peng D30/131
 2017/0105386 A1 * 4/2017 Wu A01K 5/0114
 2020/0022332 A1 * 1/2020 Nussy A01K 5/0114

OTHER PUBLICATIONS

Singeeek 100ML Ceramic Tea Light Holder. Singeeek, amazon.com (online) 11 pages. Posted Unknown. [Retrieved Dec. 5, 2022] <https://a.co/d/90ZviY0> (Year: NA) (Year: NA).*

Pet Bowls Feeding Bracket. Zerodis, amazon.com (online) 7 pages. Posted Sep. 3, 2020 [Retrieved Dec. 5, 2022] <https://a.co/d/hlVNH2C> (Year: 2020).*

Smith Chu Premium Elevated Pet Bowls. Smith Chu, amazon.com (online) 14 pages. Posted Jun. 9, 2018 [Retrieved Dec. 5, 2022] <https://a.co/d/79VxQ01> (Year: 2018).*

Michalak et al.; WO Design No. D210579-002, published at Orbit, publication date Oct. 16, 2020. Site visited Dec. 5, 2022. Available from internet. (Year: 2020).*

Xiang Chan, CN Design No. 304446491, published at Orbit, publication date Jan. 5, 2018. Site visited Dec. 5, 2022. Available from internet. (Year: 2018).*

* cited by examiner

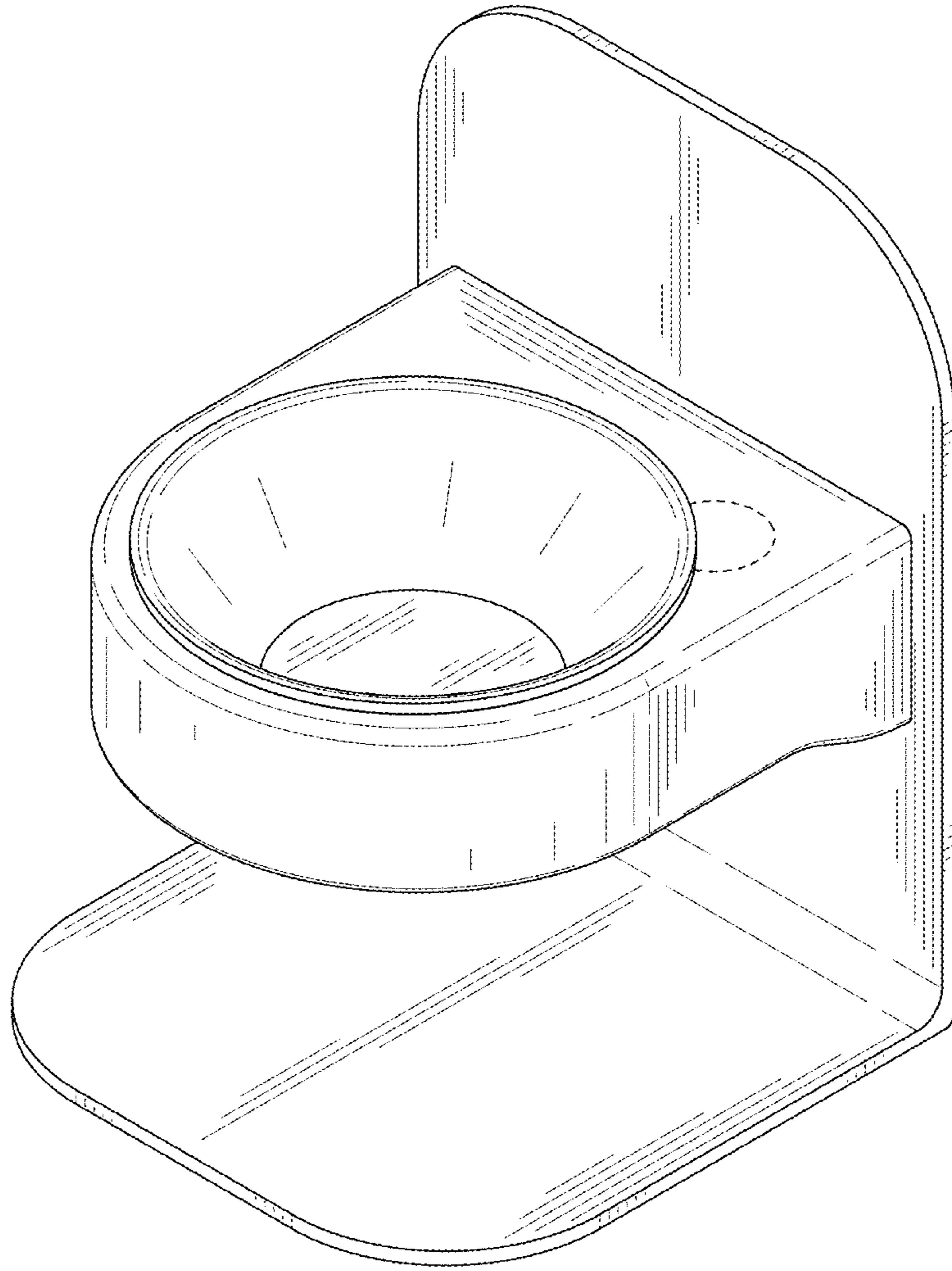


FIG. 1

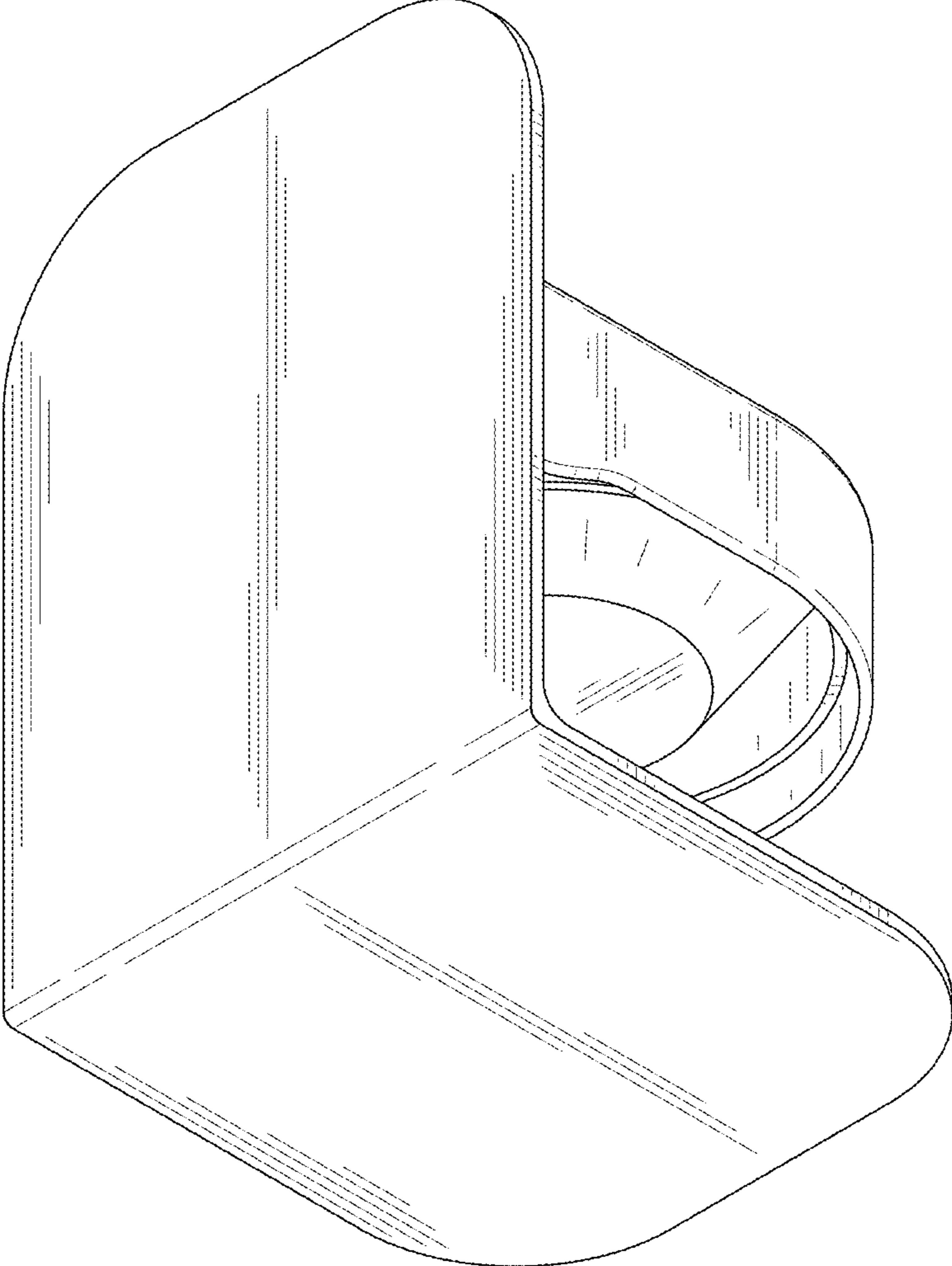


FIG. 2

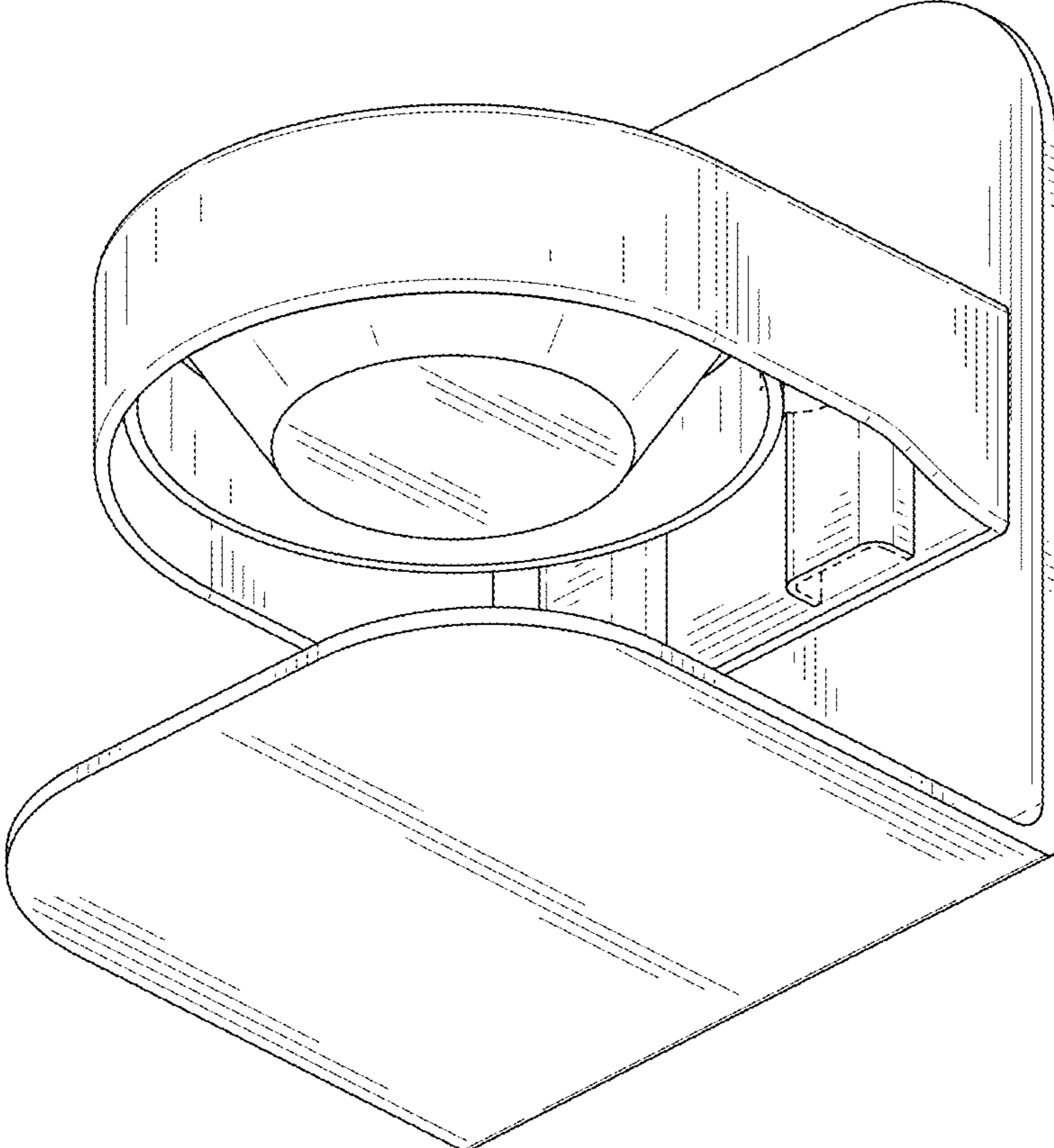


FIG. 3

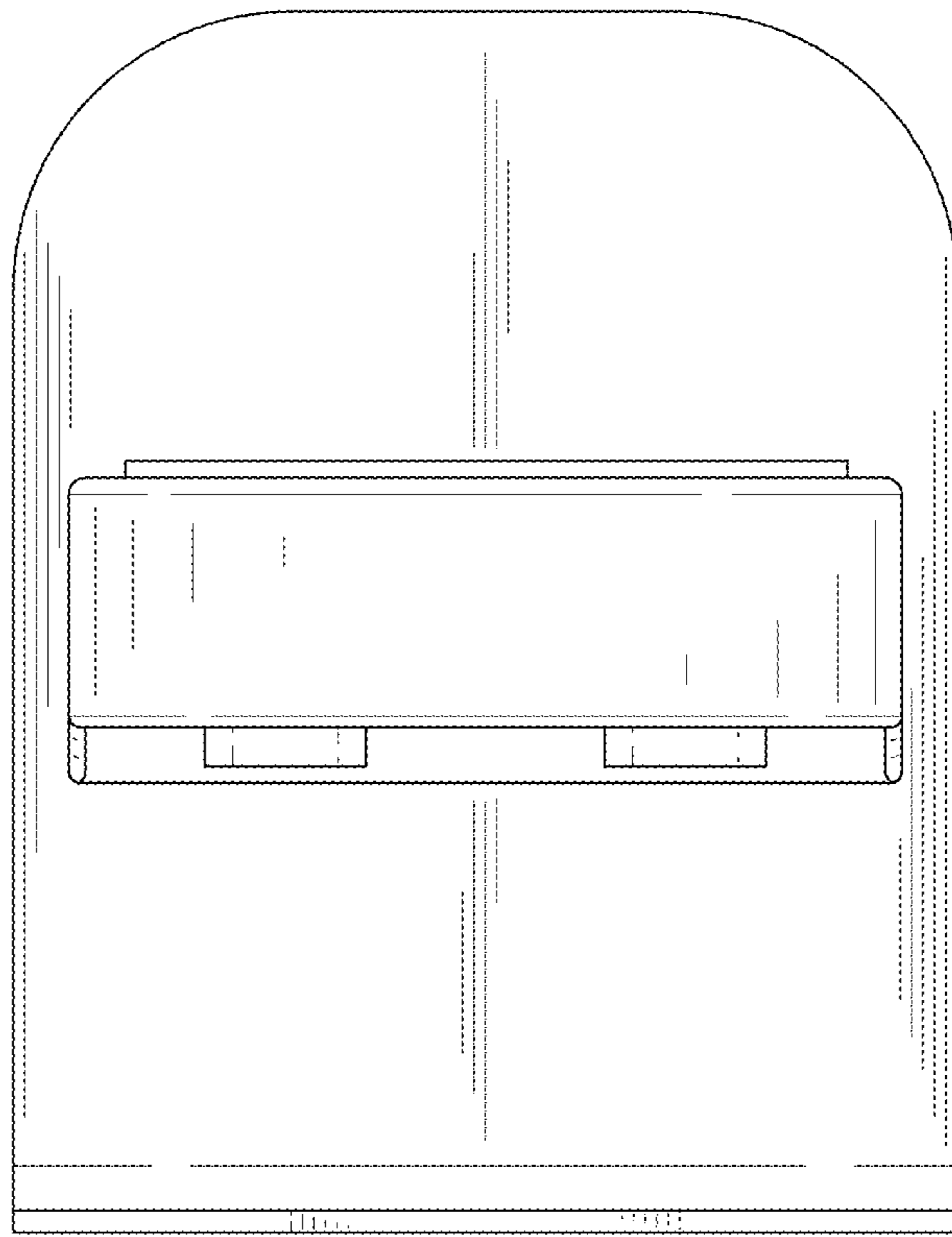


FIG. 4

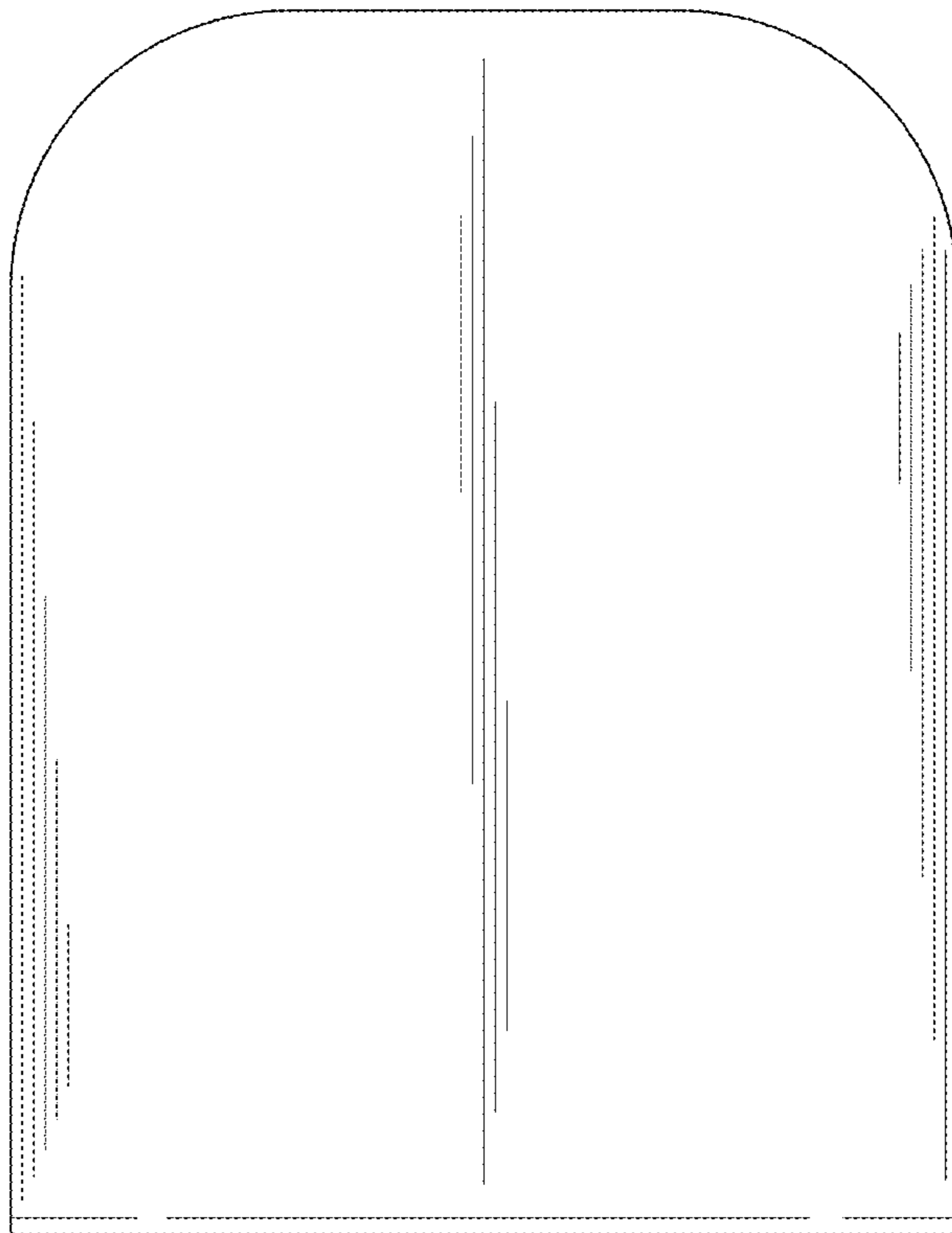


FIG. 5

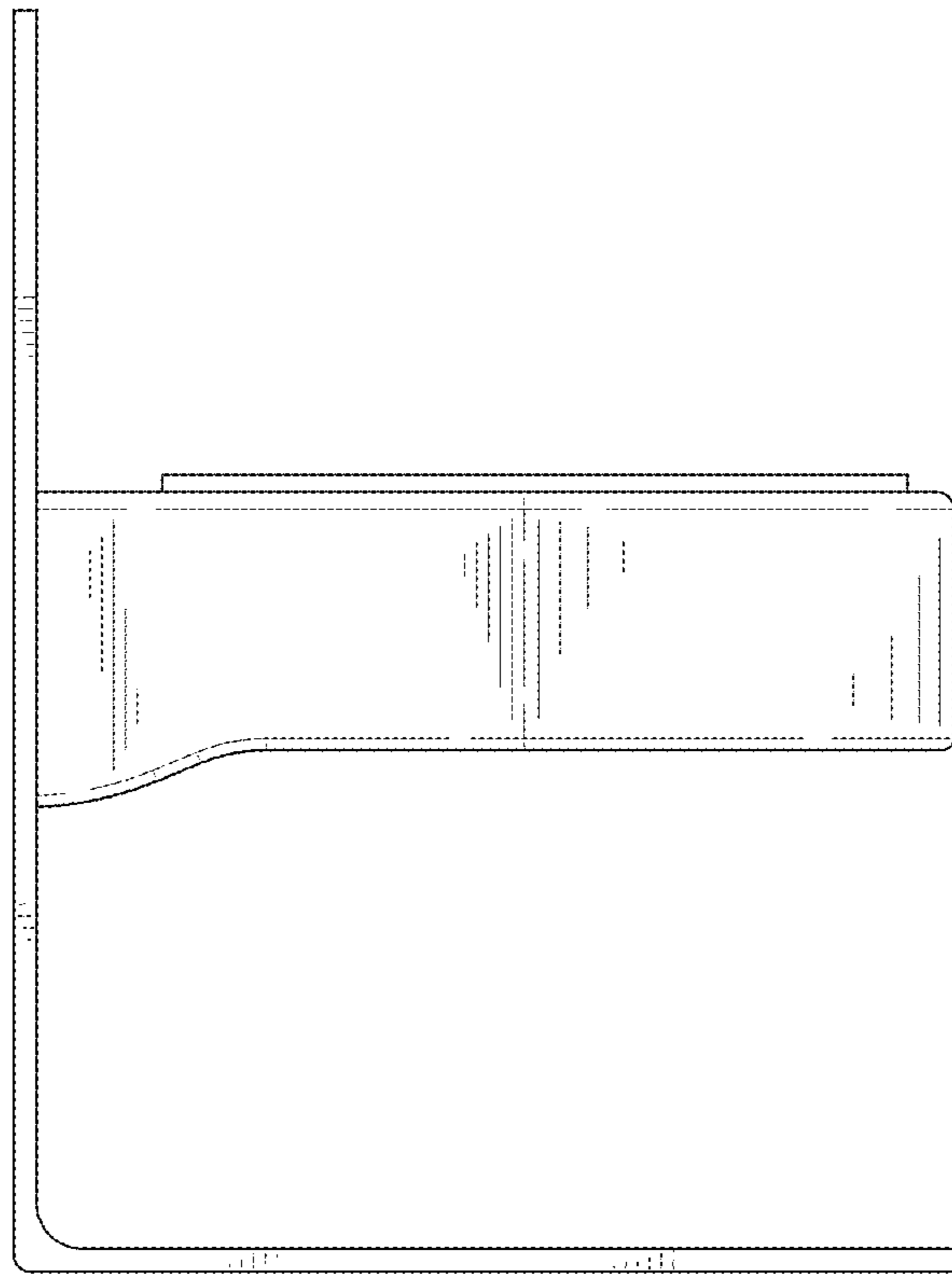


FIG. 6

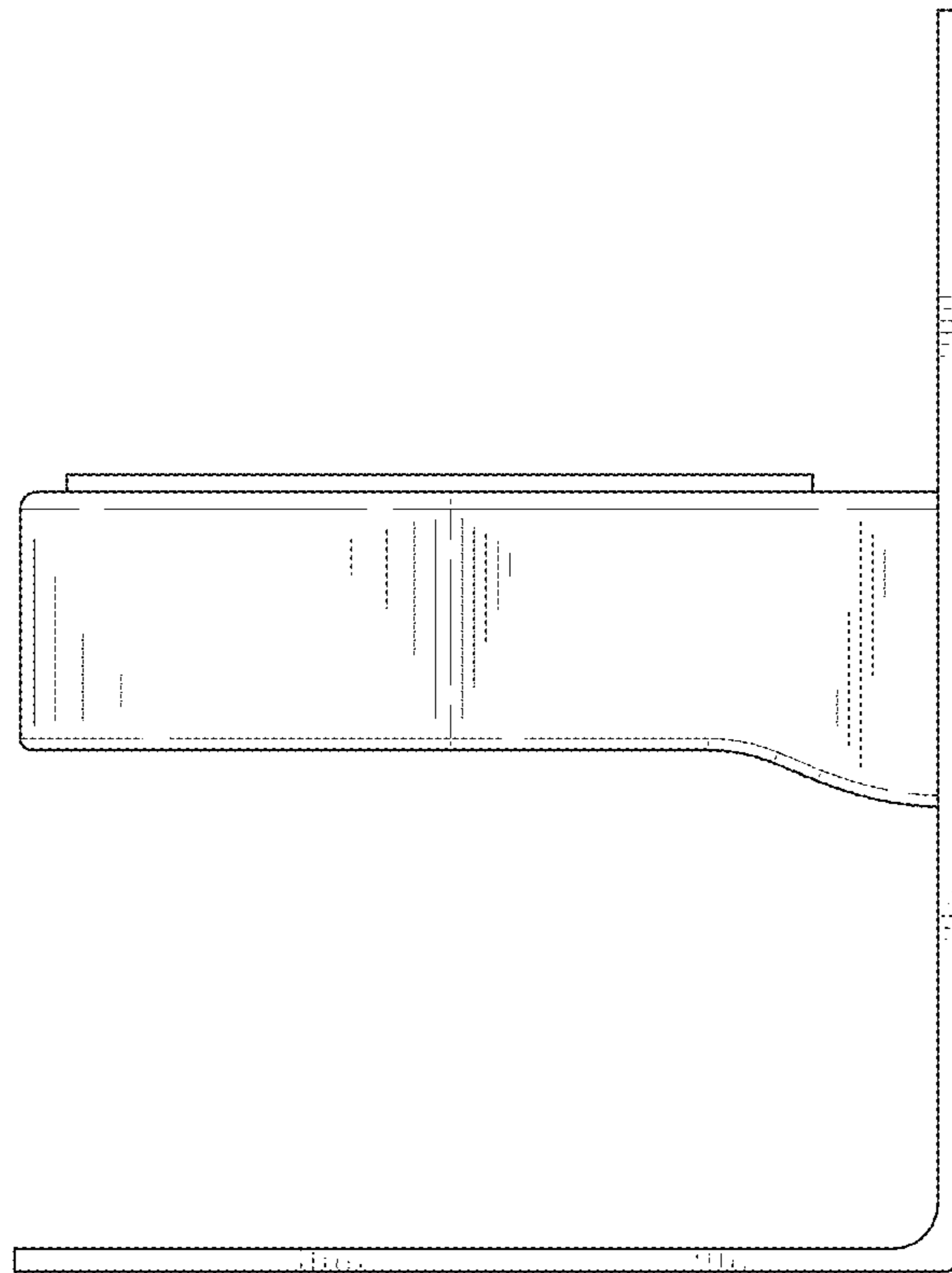


FIG. 7

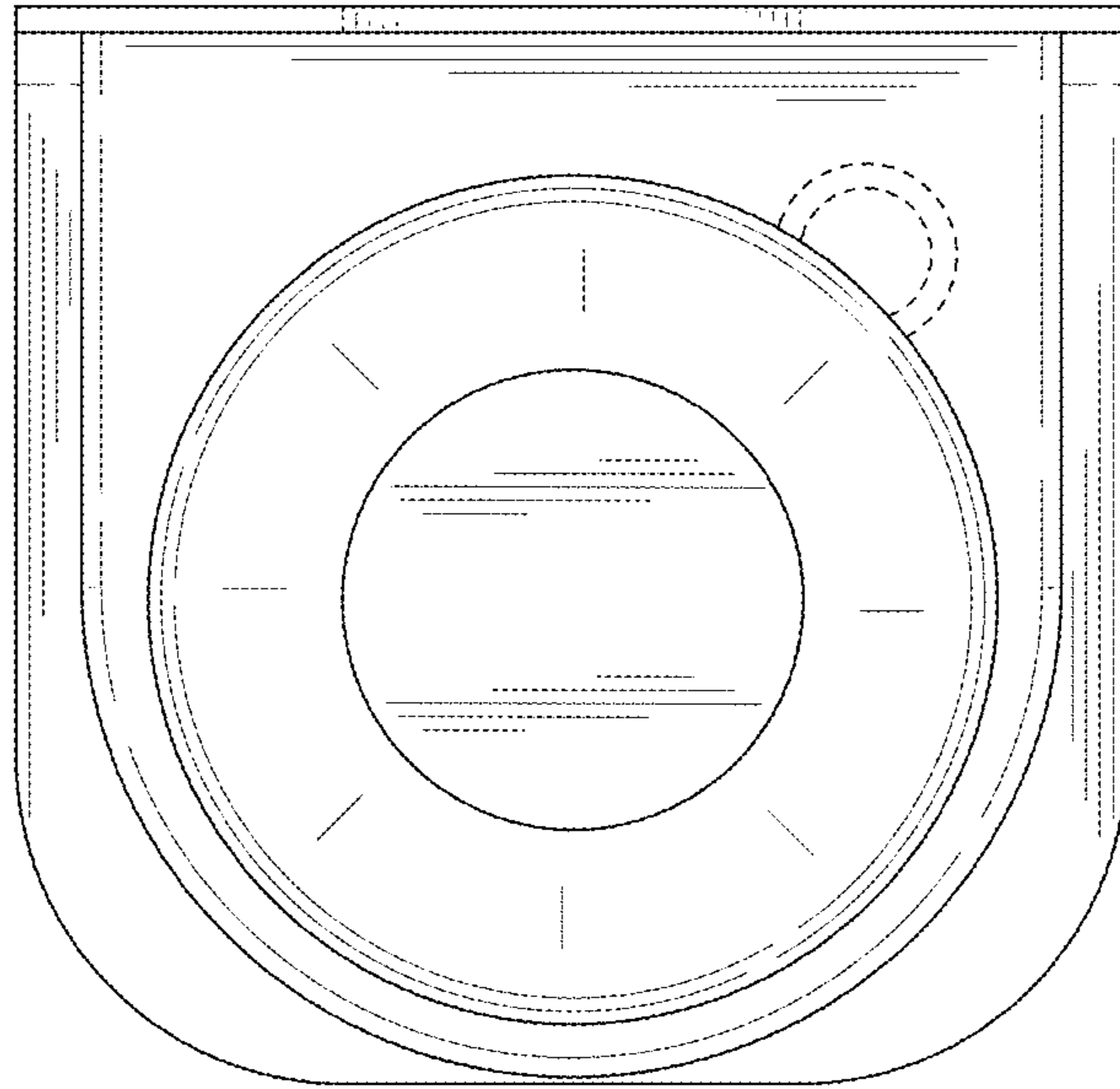


FIG. 8

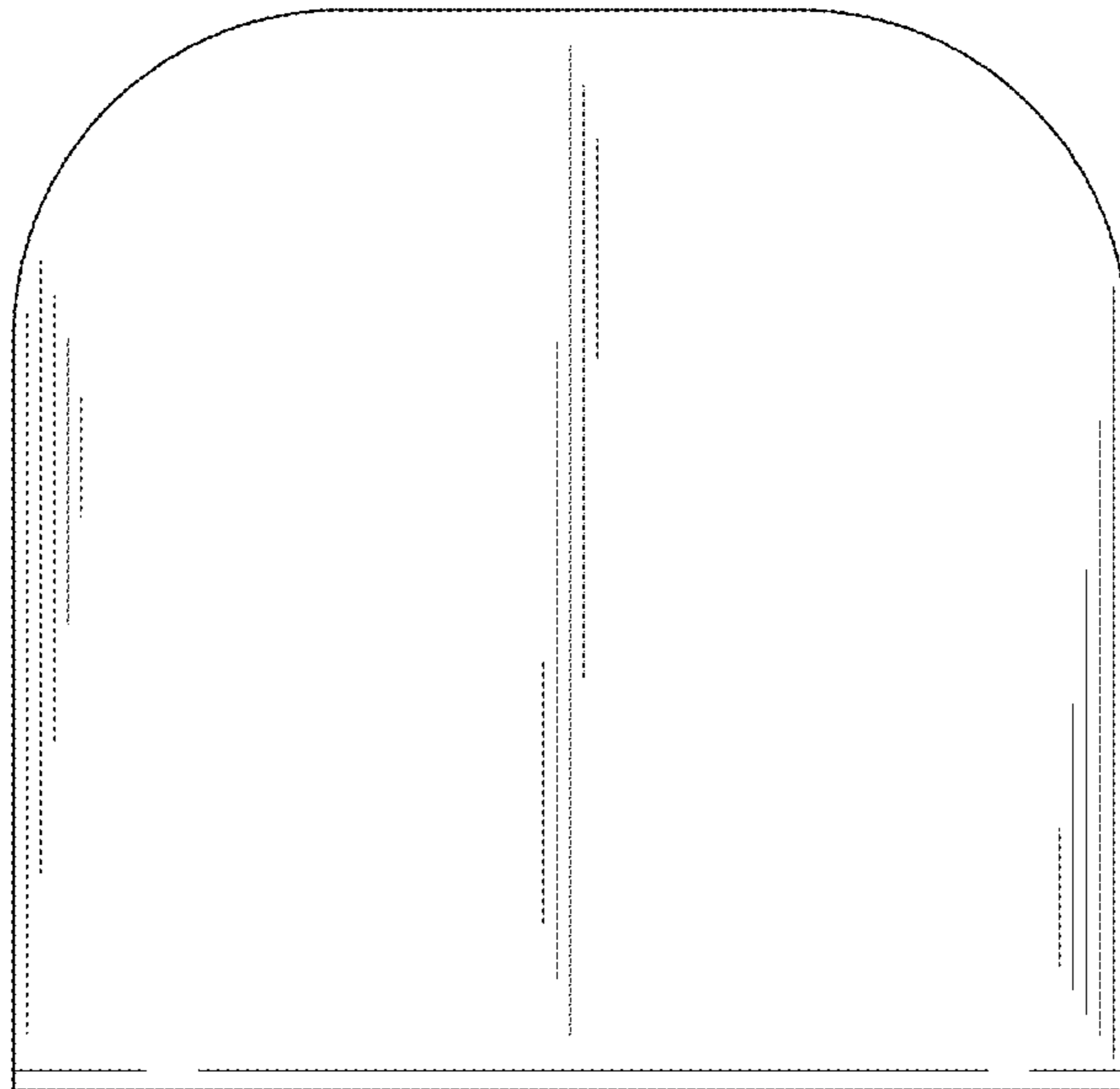


FIG. 9