



US00D979857S

(12) **United States Design Patent** (10) **Patent No.:** **US D979,857 S**
Odell et al. (45) **Date of Patent:** **** Feb. 28, 2023**

(54) **BIRD FEEDER**
(71) Applicant: **Classic Brands, LLC**, Denver, CO (US)
(72) Inventors: **Furman Odell**, Denver, CO (US); **Mackenzie Roseland**, Denver, CO (US); **Lindsey Nifong**, Denver, CO (US); **Garrett Smith**, Denver, CO (US)
(73) Assignee: **CLASSIC BRANDS, LLC**, Denver, CO (US)
(**) Term: **15 Years**
(21) Appl. No.: **29/763,145**
(22) Filed: **Dec. 21, 2020**
(51) **LOC (14) Cl.** **30-03**
(52) **U.S. Cl.**
USPC **D30/128**
(58) **Field of Classification Search**
USPC D30/121, 122, 123, 124, 125, 126, 127, D30/128, 129, 130, 131, 132, 133; 119/70, 71, 52.2, 52.3, 52.4, 53, 53.5, 54, 119/55, 57.8, 57.9, 57.91, 69.5
CPC A01K 1/0353; A01K 5/00; A01K 39/02; A01K 39/04; A01K 39/0213
See application file for complete search history.

D674,562 S * 1/2013 Hoysak D30/129
D790,777 S * 6/2017 Nifong D30/127
D880,079 S * 3/2020 Combs D30/127
D917,792 S * 4/2021 Thorn D30/124
2007/0028847 A1* 2/2007 Colvin A01K 39/0206
119/72
2016/0150764 A1* 6/2016 Felknor A01K 39/0206
119/74

OTHER PUBLICATIONS

“More Birds—Amazon” available Jan. 11, 2014, [online], [site visited Feb. 25, 2022]. Retrieved from Internet, URL:https://www.amazon.com/More-Birds-Hummingbird-Stations-10-Ounce/dp/B005F5NGYW/ref=cm_cr_ap_d_product_top?ie=UTF8(Year: 2014).*

* cited by examiner

Primary Examiner — W. A. Teddy Falloway
Assistant Examiner — Katrina N Gonzalez
(74) *Attorney, Agent, or Firm* — Polsinelli PC

(57) **CLAIM**

The ornamental design for a bird feeder, as shown and described.

DESCRIPTION

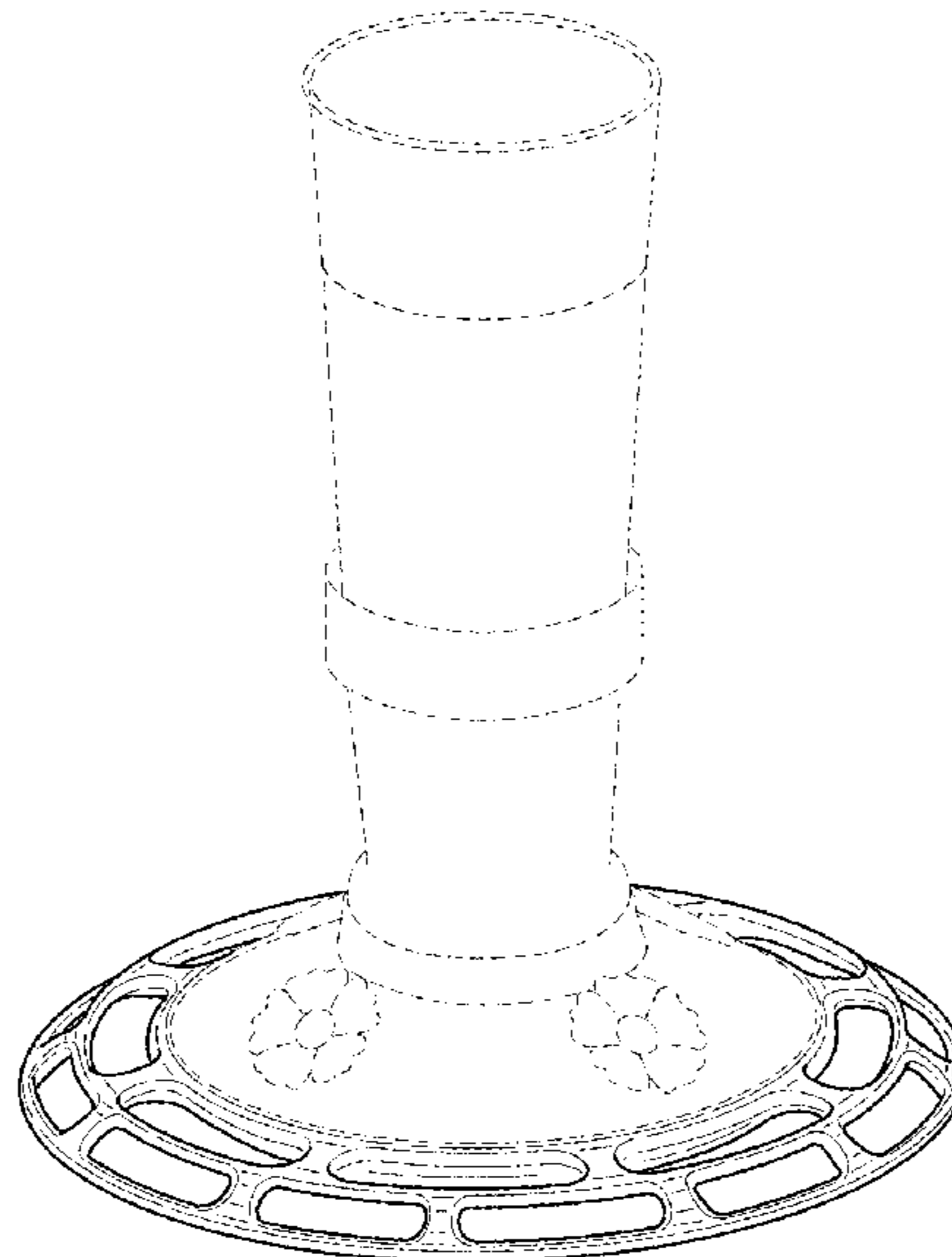
FIG. 1 is a perspective view of a bird feeder showing our new design.
FIG. 2 is a bottom perspective view thereof.
FIG. 3 is a top perspective view thereof.
FIG. 4 is a top view thereof.
FIG. 5 is a side view thereof.
FIG. 6 is another side view thereof; and,
FIG. 7 is a bottom view thereof.
The dash-dash broken lines illustrate portions of the bird feeder that form no part of the claimed design. The broken lines that are immediately adjacent to shaded areas and define unshaded areas represent the bounds of the claim and form no part of the claimed design.

1 Claim, 7 Drawing Sheets

(56) **References Cited**

U.S. PATENT DOCUMENTS

D326,743 S * 6/1992 Haynes D7/553.6
D382,376 S * 8/1997 Bescherer D30/124
D509,325 S * 9/2005 Jung A01K 39/02
D30/127
D536,838 S * 2/2007 Colvin D30/124
D536,839 S * 2/2007 Colvin D30/124
7,231,890 B2* 6/2007 Colvin A01K 39/014
119/72
D674,561 S * 1/2013 Hoysak D30/124



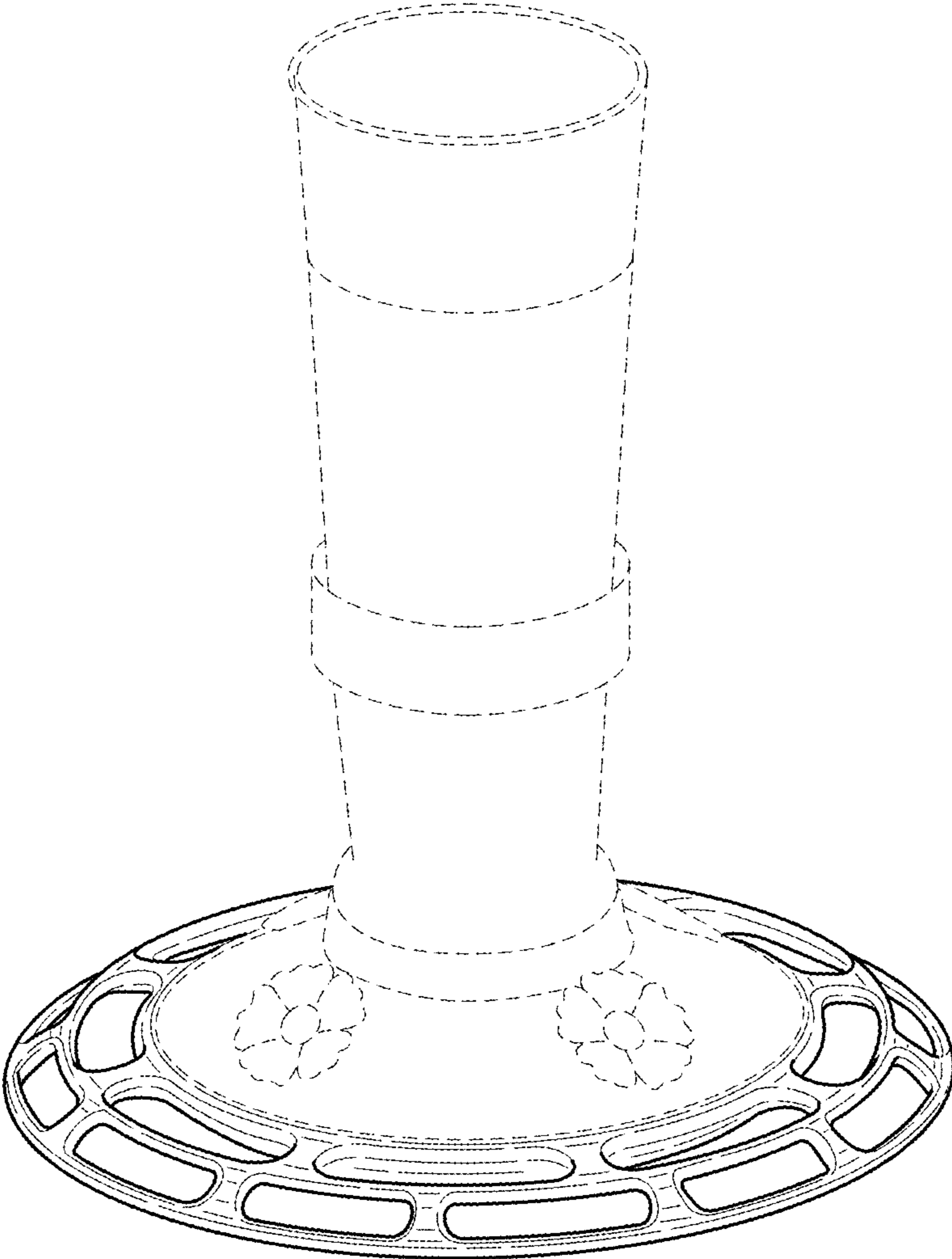


FIG.1

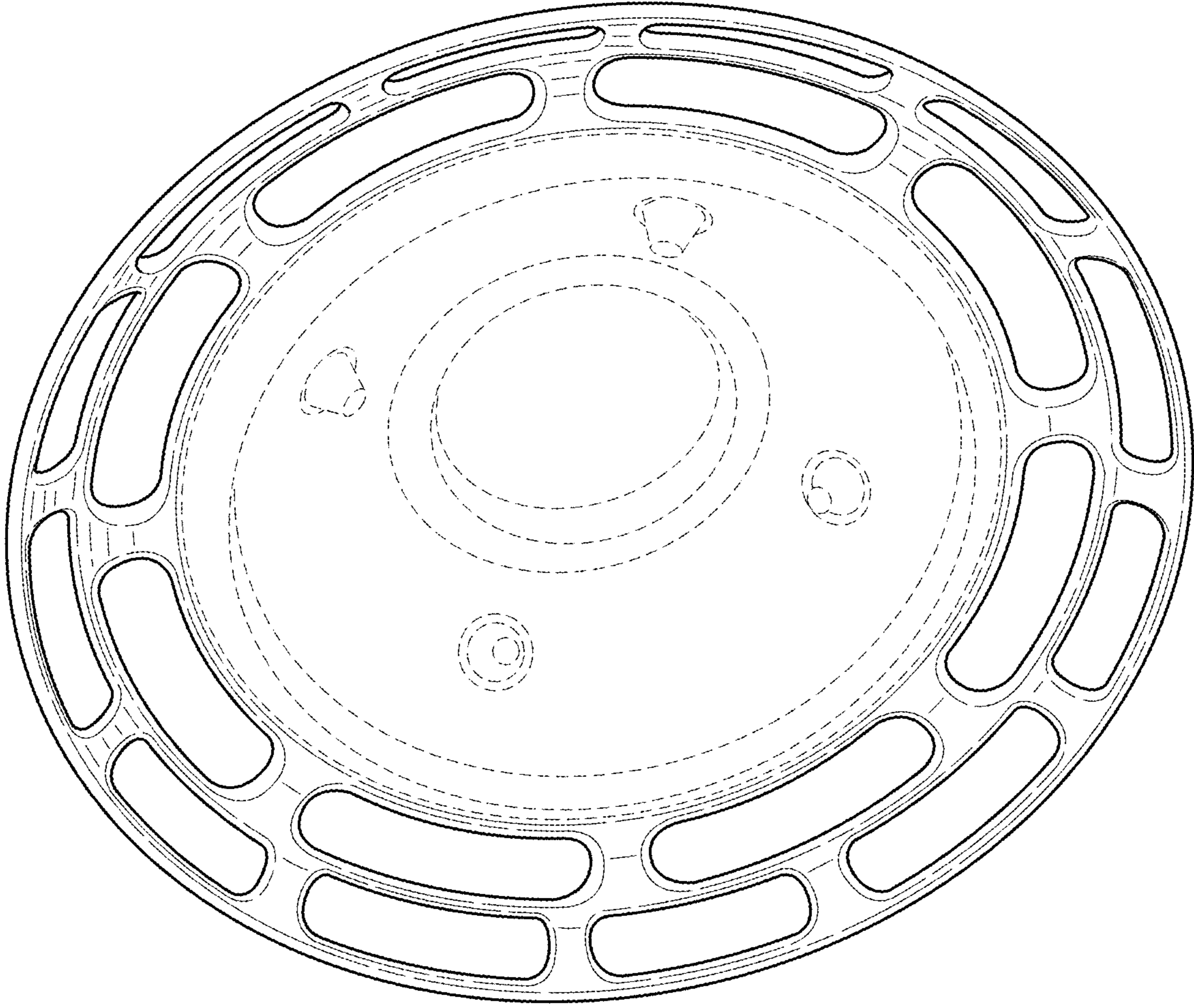


FIG.2

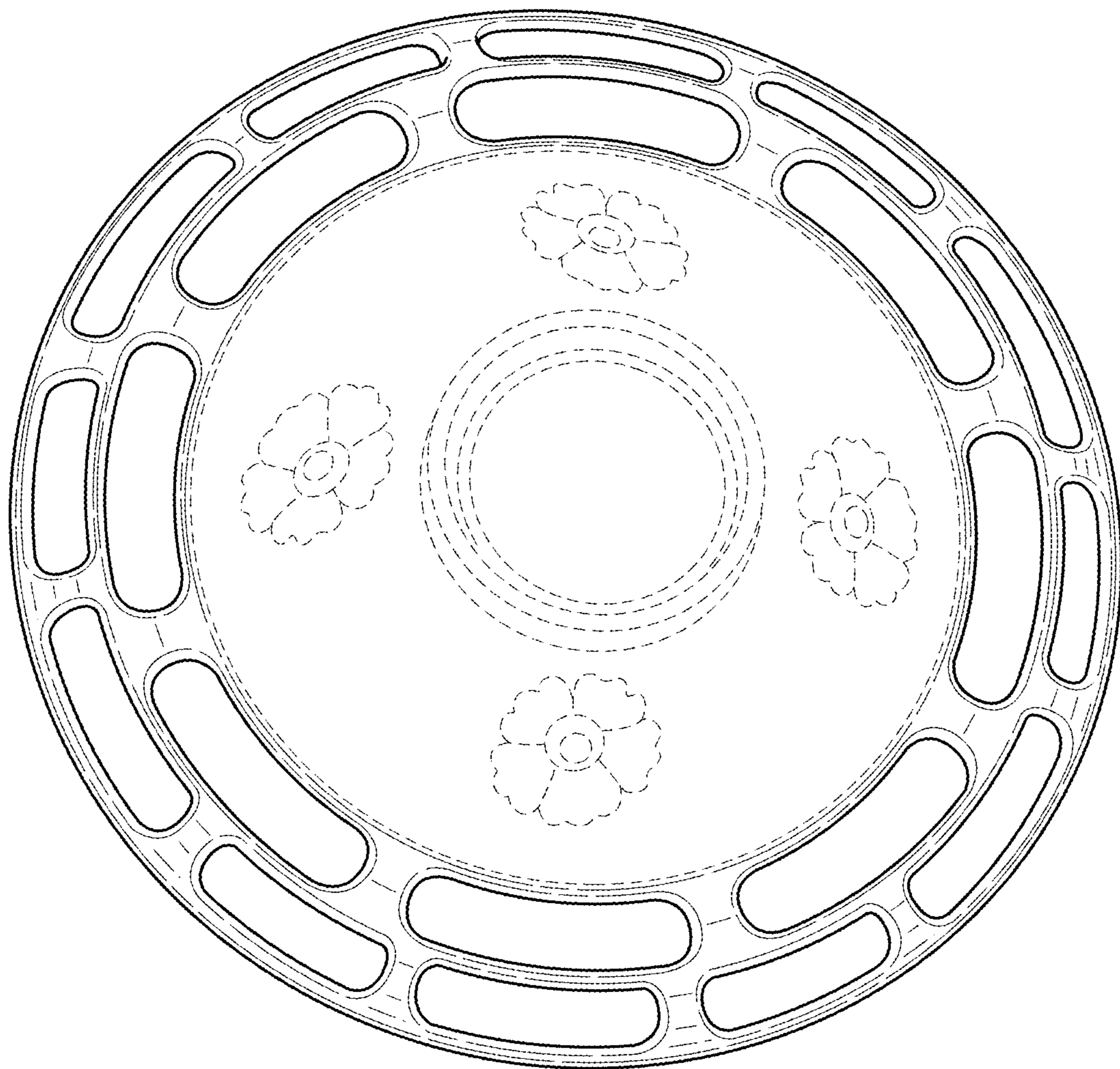


FIG.3

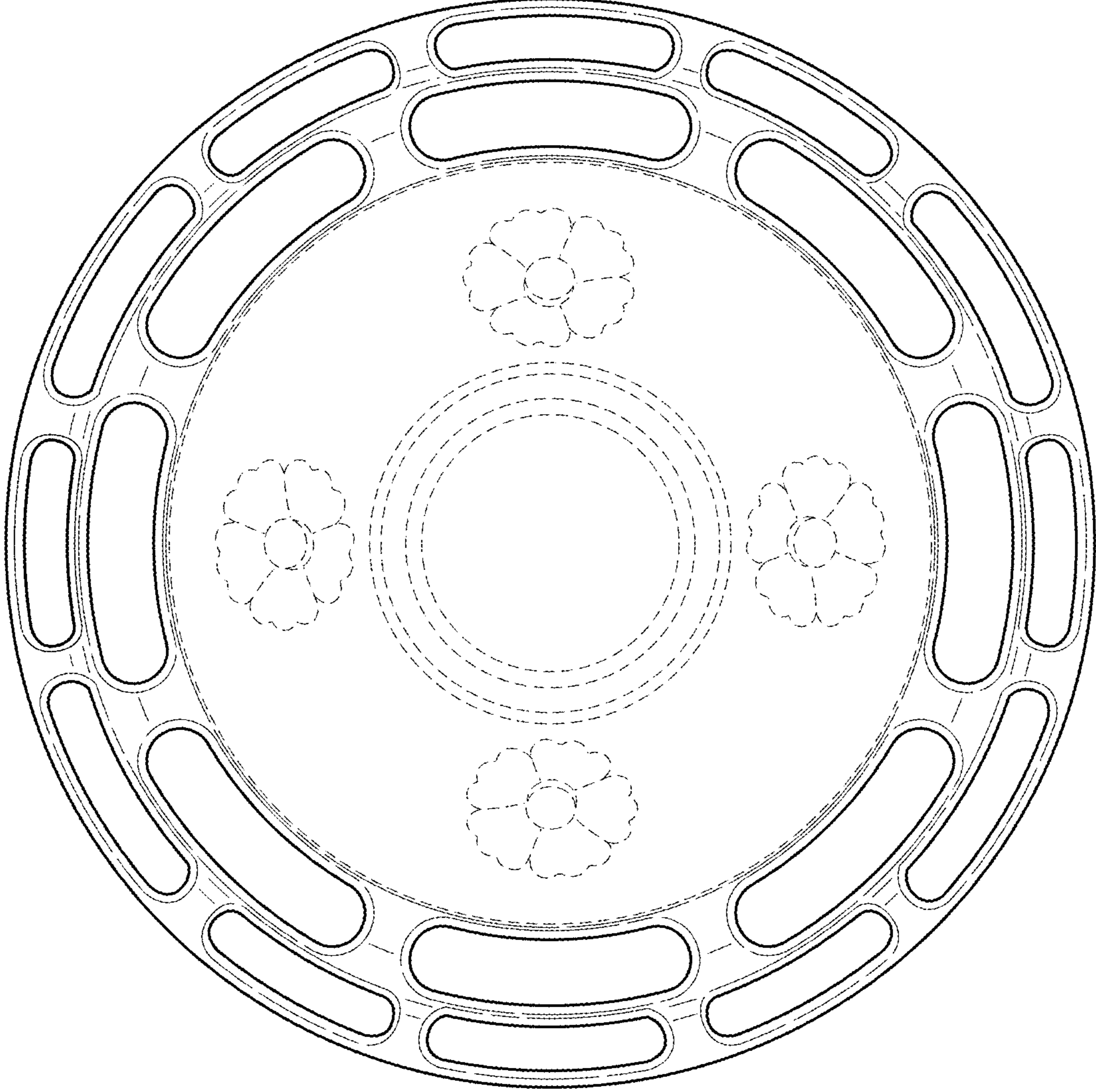


FIG.4

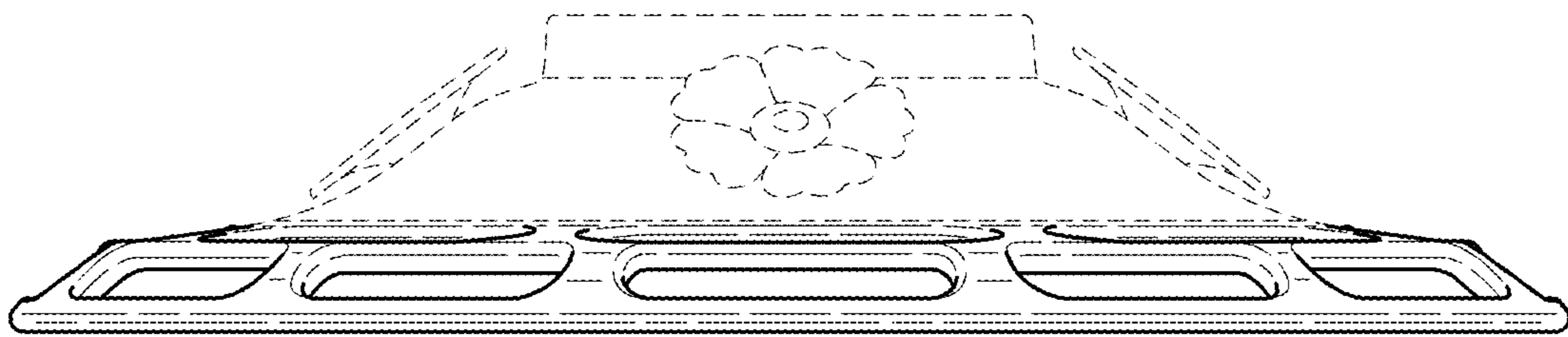


FIG.5

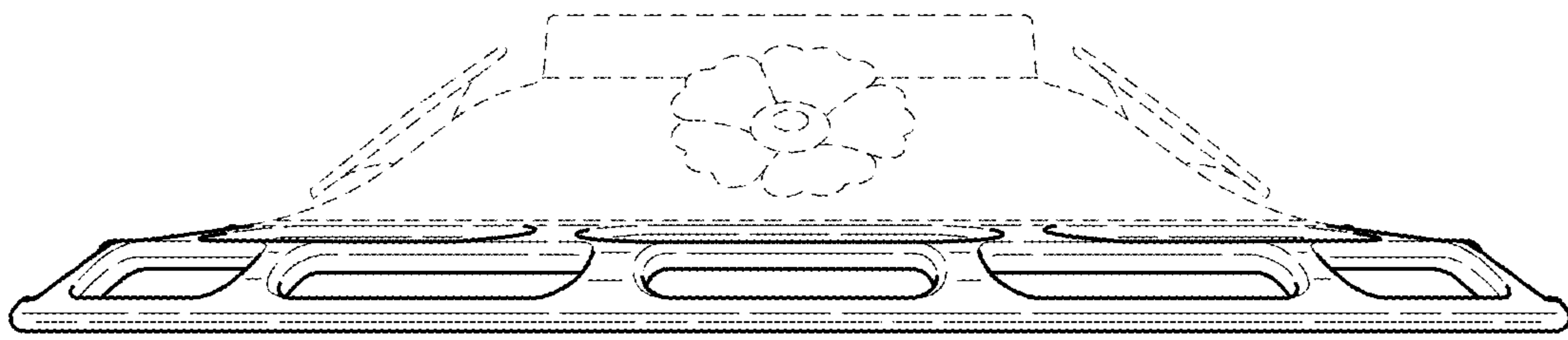


FIG.6

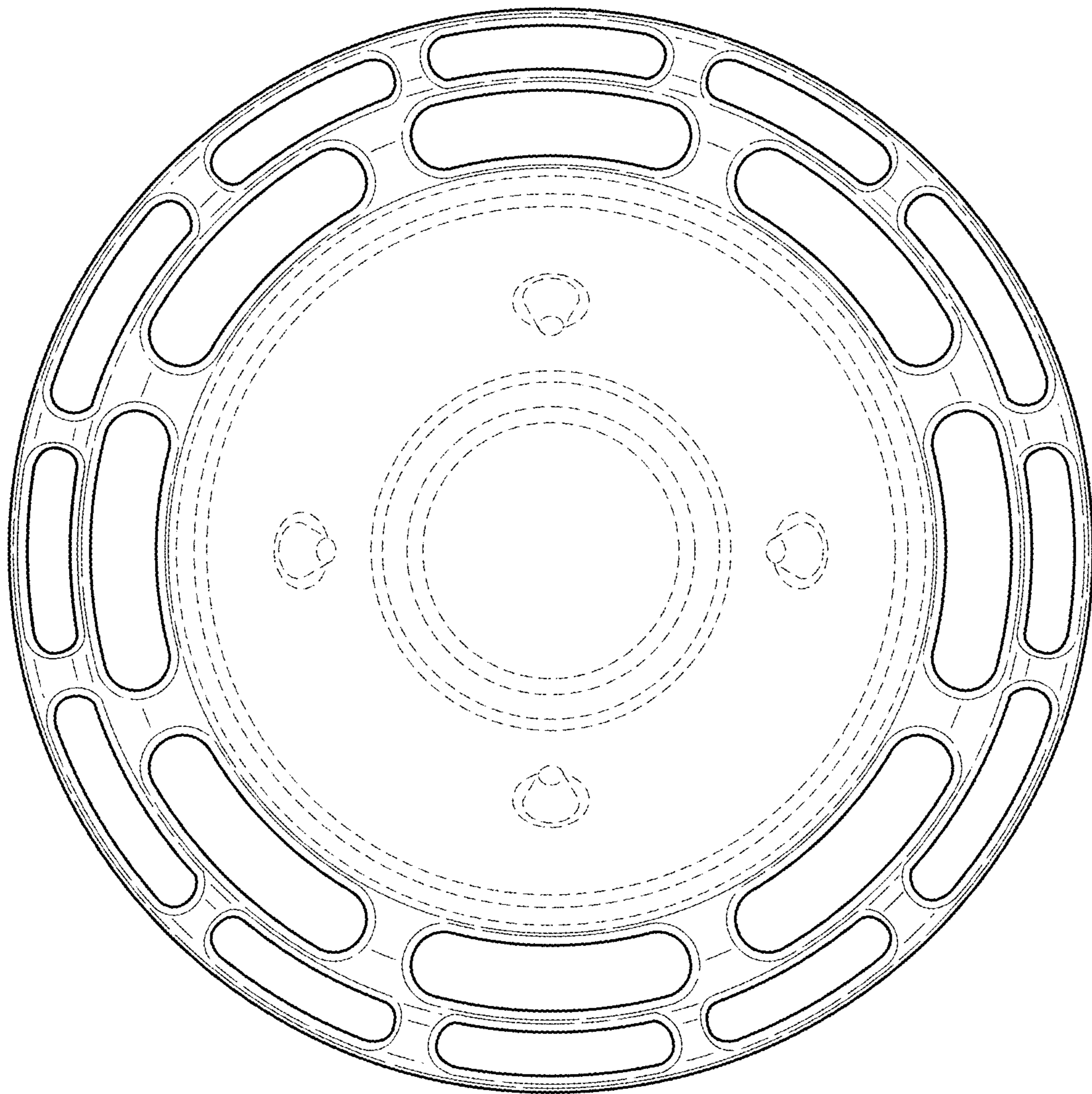


FIG.7