



US00D979856S

(12) **United States Design Patent**
Yeiser, IV

(10) **Patent No.:** **US D979,856 S**
(45) **Date of Patent:** **** Feb. 28, 2023**

- (54) **STANDING BIRD FEEDER**
- (71) Applicant: **Yeiser Research & Development LLC**,
Santee, CA (US)
- (72) Inventor: **John O. Yeiser, IV**, Alpine, CA (US)
- (73) Assignee: **YEISER RESEARCH & DEVELOPMENT LLC**, Santee, CA (US)
- (**) Term: **15 Years**
- (21) Appl. No.: **29/786,183**
- (22) Filed: **May 28, 2021**
- (51) **LOC (14) Cl.** **30-03**
- (52) **U.S. Cl.**
USPC **D30/124**
- (58) **Field of Classification Search**
USPC D30/121, 124, 126–129, 133, 199,
D30/110–112, 123, 125; 119/52.2, 51.5,
119/61.5, 57.8, 57.9, 52.3, 61.1, 531, 63,
119/428–435, 52.4, 55, 61.3, 69.5, 75, 76;
47/67, 83; 248/318; D11/164, 152;
211/128.1; D27/123; D6/495, 460, 461,
D6/476, 405; D26/51, 55, 60, 67, 69, 70,
D26/72, 80–88, 92, 93, 96, 101, 102
CPC A01K 39/00; A01K 39/01; A01K 39/0113;
A01K 39/012; A01K 39/06; A01K
5/0225; A01K 5/00
See application file for complete search history.

(56) **References Cited**

U.S. PATENT DOCUMENTS

- 369,174 A * 8/1887 Fletcher A61C 17/04
4/263
- 927,722 A * 7/1909 Frambach G09F 7/18
248/229.17
- 1,030,722 A * 6/1912 Fowler A61J 19/04
4/262

- 1,698,382 A * 1/1929 Ackerman A61C 17/14
4/271
- 2,331,511 A * 10/1943 Schiffman A01M 1/2011
43/107
- 2,484,263 A * 10/1949 Atkinson A01K 1/04
248/156
- 2,654,346 A * 10/1953 Goff A01K 39/02
285/125.1
- 2,837,305 A * 6/1958 Andren B44D 3/14
126/30
- 2,950,836 A * 8/1960 Murdock A24F 19/0092
297/188.2
- 4,061,038 A * 12/1977 Clarke, Jr. G01F 19/00
73/427
- 4,204,501 A * 5/1980 Karlsson A01K 7/06
119/72
- D258,007 S * 1/1981 Schmidt D24/177
- D261,465 S * 10/1981 Minchew D7/555
- 4,399,772 A * 8/1983 Salinas A01K 5/0142
119/51.5

(Continued)

Primary Examiner — Susan Moon Lee

(74) Attorney, Agent, or Firm — Eleanor Musick; Torrey Pines Law Group, PC

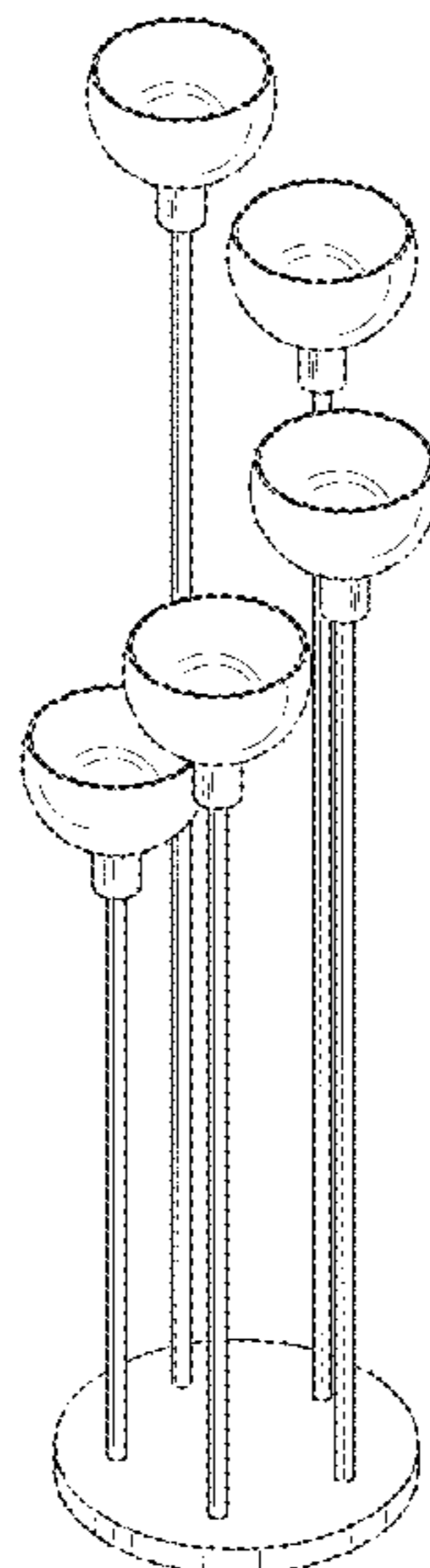
(57) **CLAIM**

The ornamental design for a standing bird feeder, as shown.

DESCRIPTION

FIG. 1 is a side perspective view of a standing bird feeder showing my new design;
 FIG. 2 is a first side elevational view of the standing bird feeder;
 FIG. 3 is a second side elevational view of the standing bird feeder;
 FIG. 4 is a third side elevational view of the standing bird feeder;
 FIG. 5 is a top plan view of the standing bird feeder; and,
 FIG. 6 is a bottom plan view of the standing bird feeder.

1 Claim, 5 Drawing Sheets



US D979,856 S

Page 2

(56)

References Cited

U.S. PATENT DOCUMENTS

D277,503 S *	2/1985	Truette	D24/177	7,011,041 B1 *	3/2006	Bradley	A01K 45/002
D295,091 S *	4/1988	Swartzendruber	D30/132					119/69.5
5,081,957 A *	1/1992	Warner, Jr.	A01K 7/00	7,219,623 B2 *	5/2007	Flowers	A01K 45/002
				119/61.5					119/69.5
5,148,626 A *	9/1992	Haake, Sr.	A01M 1/2011	7,234,417 B2 *	6/2007	Laird	A01K 1/04
				43/109					119/791
D347,969 S *	6/1994	Cousins	D7/548	7,380,517 B2 *	6/2008	Flowers	A01K 7/02
5,467,738 A *	11/1995	Cass	A01K 5/0142					119/69.5
				119/51.5	7,857,274 B1 *	12/2010	Parks	A01K 1/0356
D385,066 S *	10/1997	Doornbos	D30/119					248/230.1
5,743,212 A *	4/1998	Forjohn	A01K 45/002	8,001,931 B2 *	8/2011	Deese	A01K 5/0142
				119/69.5					119/61.5
D420,472 S *	2/2000	Dellasandro	D30/119	D787,751 S *	5/2017	Bosco	D30/121
D424,758 S *	5/2000	Akopdjanov	D30/129	D791,559 S *	7/2017	DeCamp	D8/1
D459,840 S *	7/2002	Lian	D30/124	D851,338 S *	6/2019	Brown	D30/129
6,463,884 B1 *	10/2002	Lien	A01K 31/04	2005/0072366 A1 *	4/2005	Hammer	A01K 5/0114
				119/537					119/61.57
					2015/0069209 A1 *	3/2015	Hsieh	F16M 11/10
									248/688

* cited by examiner

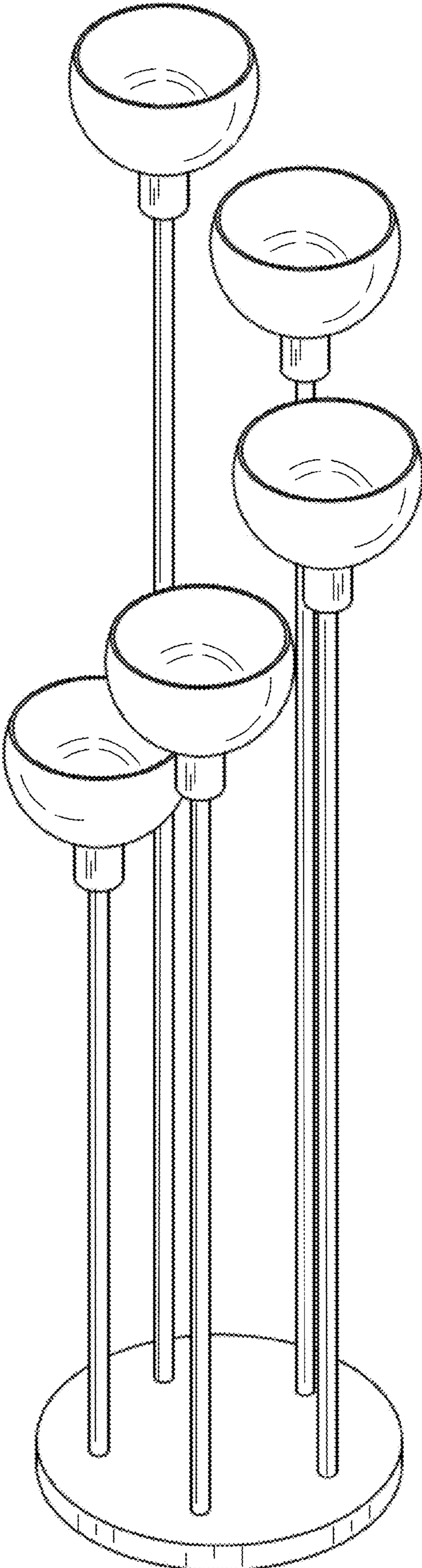


FIG. 1

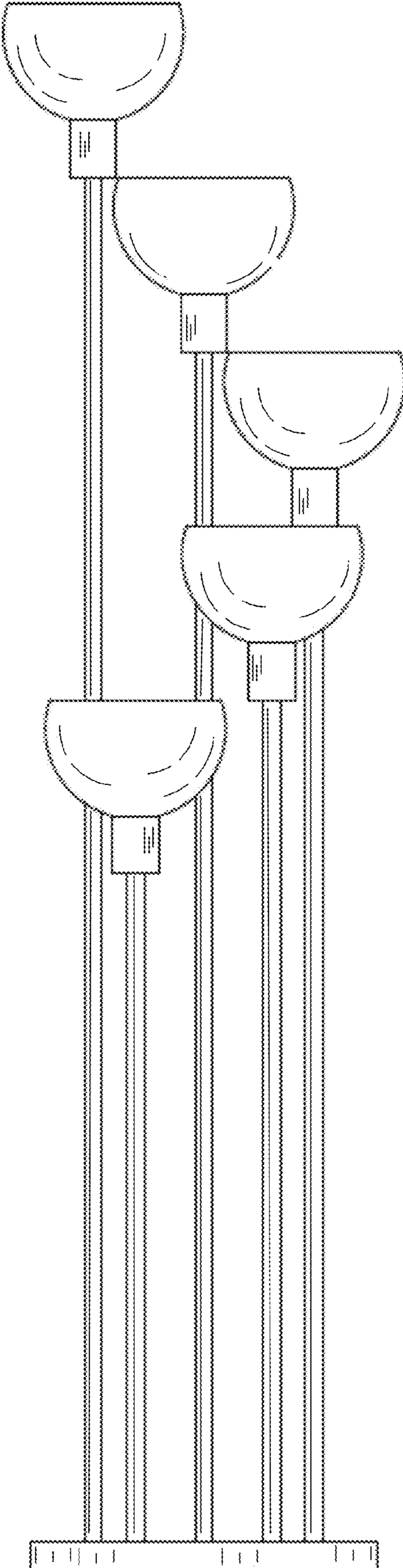


FIG. 2

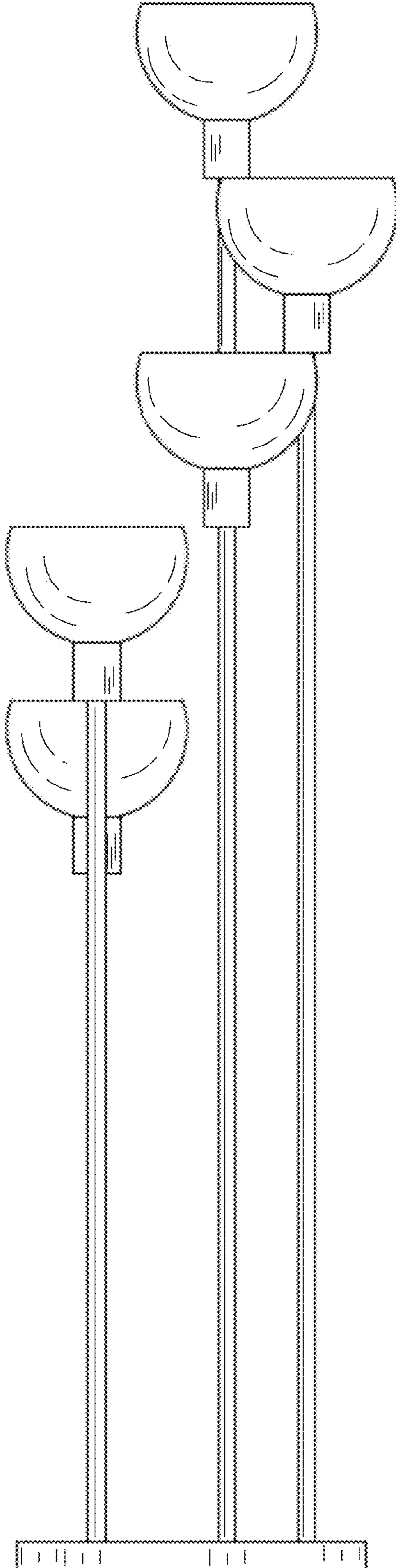


FIG. 3

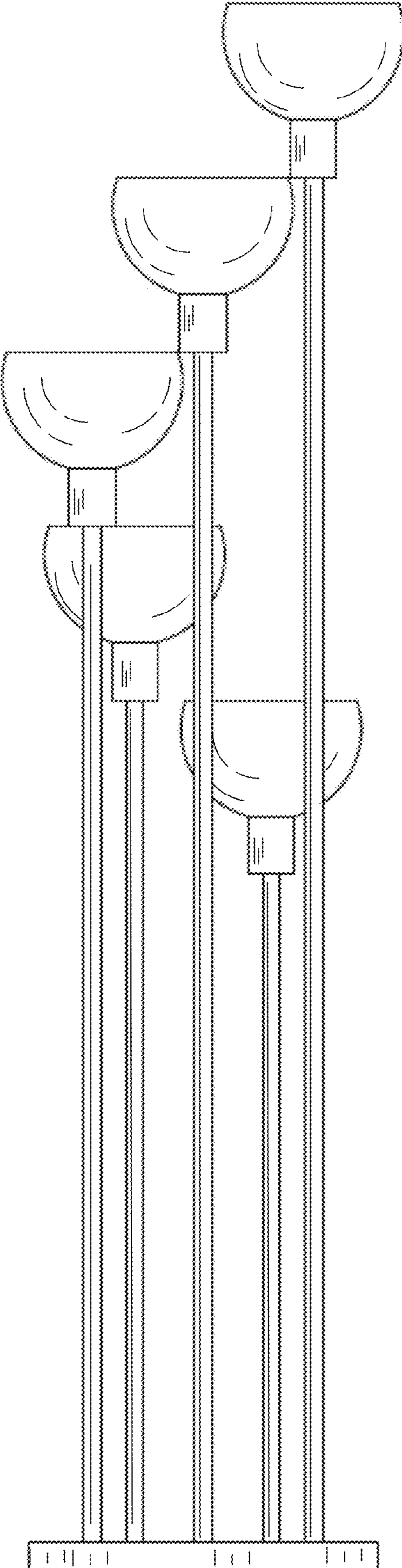


FIG. 4

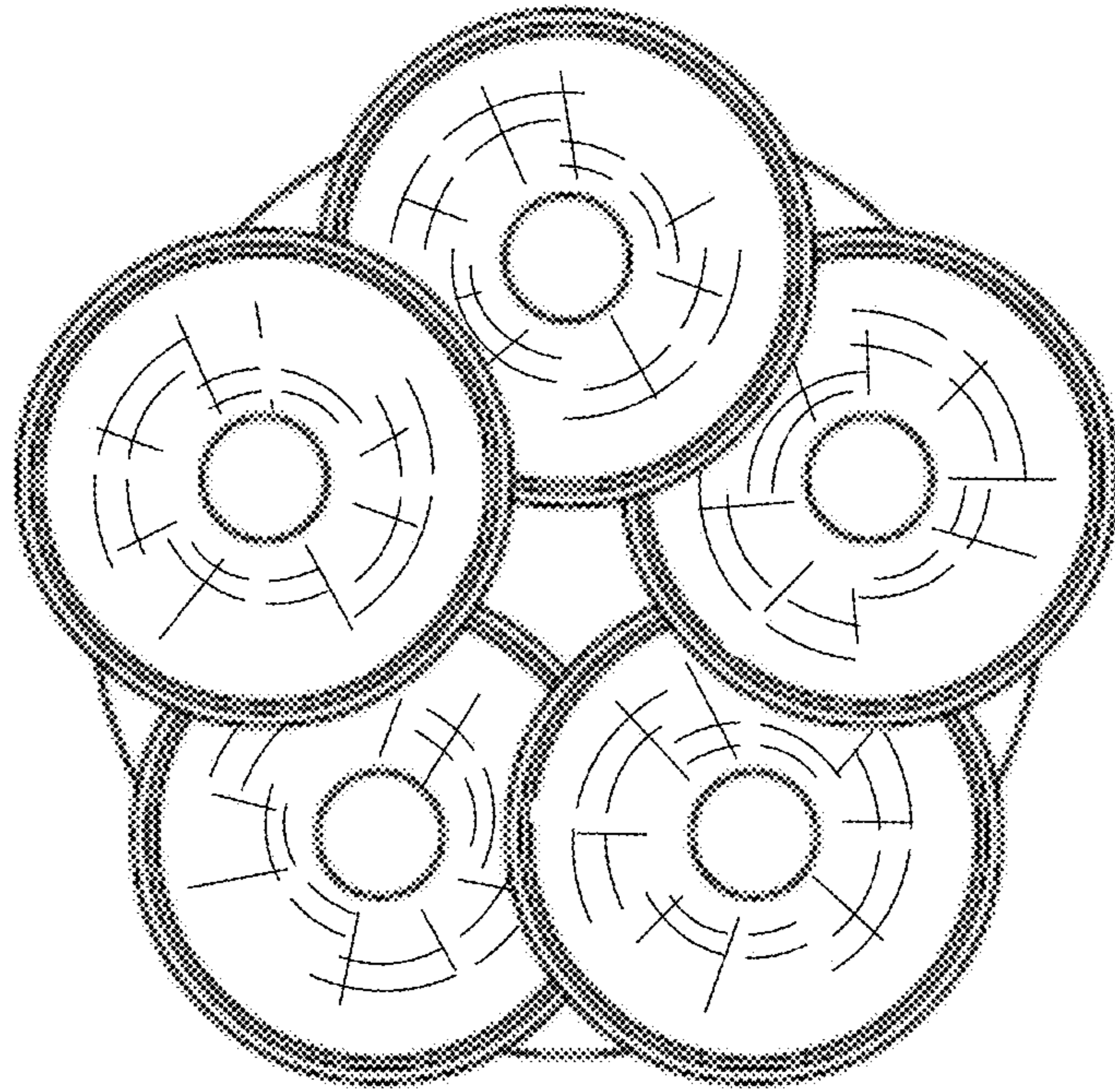


FIG. 5

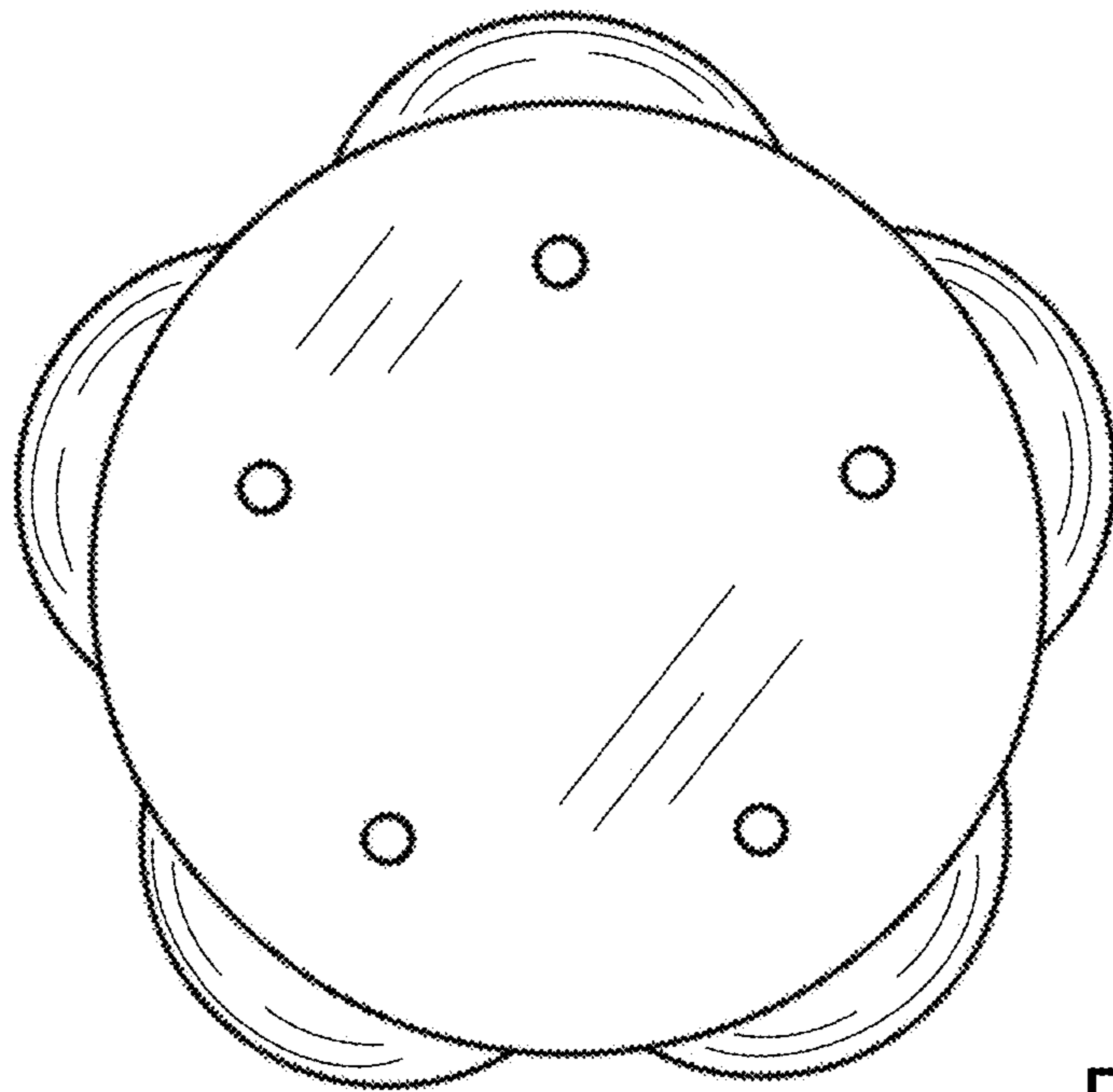


FIG. 6