



US00D979854S

(12) **United States Design Patent**  
**Toellner**

(10) **Patent No.:** **US D979,854 S**

(45) **Date of Patent:** **\*\* Feb. 28, 2023**

(54) **BIRD FEEDER BASE**

(71) Applicant: **Gold Crest Distributing, LLC,**  
Mexico, MO (US)

(72) Inventor: **Grant M. Toellner,** Mexico, MO (US)

(73) Assignee: **GOLD CREST DISTRIBUTING,**  
**LLC,** Mexico, MO (US)

(\*\*) Term: **15 Years**

(21) Appl. No.: **29/723,199**

(22) Filed: **Feb. 5, 2020**

(51) **LOC (14) Cl.** ..... **30-03**

(52) **U.S. Cl.**  
USPC ..... **D30/124**

(58) **Field of Classification Search**  
USPC ..... D30/110, 111, 118, 119, 121, 122, 123,  
D30/124, 125, 126, 127, 128, 129, 131,  
D30/132, 133, 162, 199  
CPC ..... A01K 39/00; A01K 39/04; A01K 39/014;  
A01K 39/012; A01K 39/026; A01K  
31/12; A01K 5/0114; A01K 5/0225;  
A01K 7/00; A01K 39/0125; A01K 39/01;  
A47G 19/065; A47G 23/06; B65D 1/36;  
F25D 3/08; F25D 2331/812

See application file for complete search history.

(56) **References Cited**

**U.S. PATENT DOCUMENTS**

1,023,658 A \* 4/1912 Klussman ..... A01K 39/026  
119/77  
1,136,092 A \* 4/1915 Blumer ..... A01K 39/026  
119/77  
1,181,045 A \* 4/1916 Luin ..... A01K 39/026  
119/77  
1,226,594 A \* 5/1917 Pruefert ..... A01K 39/026  
119/77

1,488,584 A \* 4/1924 Bakken ..... A01K 39/026  
119/77  
1,490,757 A \* 4/1924 Baruth ..... A01K 39/012  
119/77  
1,566,571 A \* 12/1925 Appleton ..... A01K 39/026  
119/77

(Continued)

**FOREIGN PATENT DOCUMENTS**

CN 303022277 \* 12/2014  
GB 2020105 \* 3/1993  
KR 3020170059459 \* 1/2018

**OTHER PUBLICATIONS**

Switch N Swap Seed Base, posted date unknown [online], retrieved [Aug. 4, 2022]. Retrieved from internet, <https://www.goldcrestdistributing.com/item/BE132> (Year: 2022).\*

(Continued)

*Primary Examiner* — Sheryl Lane  
*Assistant Examiner* — Emily A Caven  
(74) *Attorney, Agent, or Firm* — Martin & Associates,  
LLC; Derek P. Martin

(57) **CLAIM**

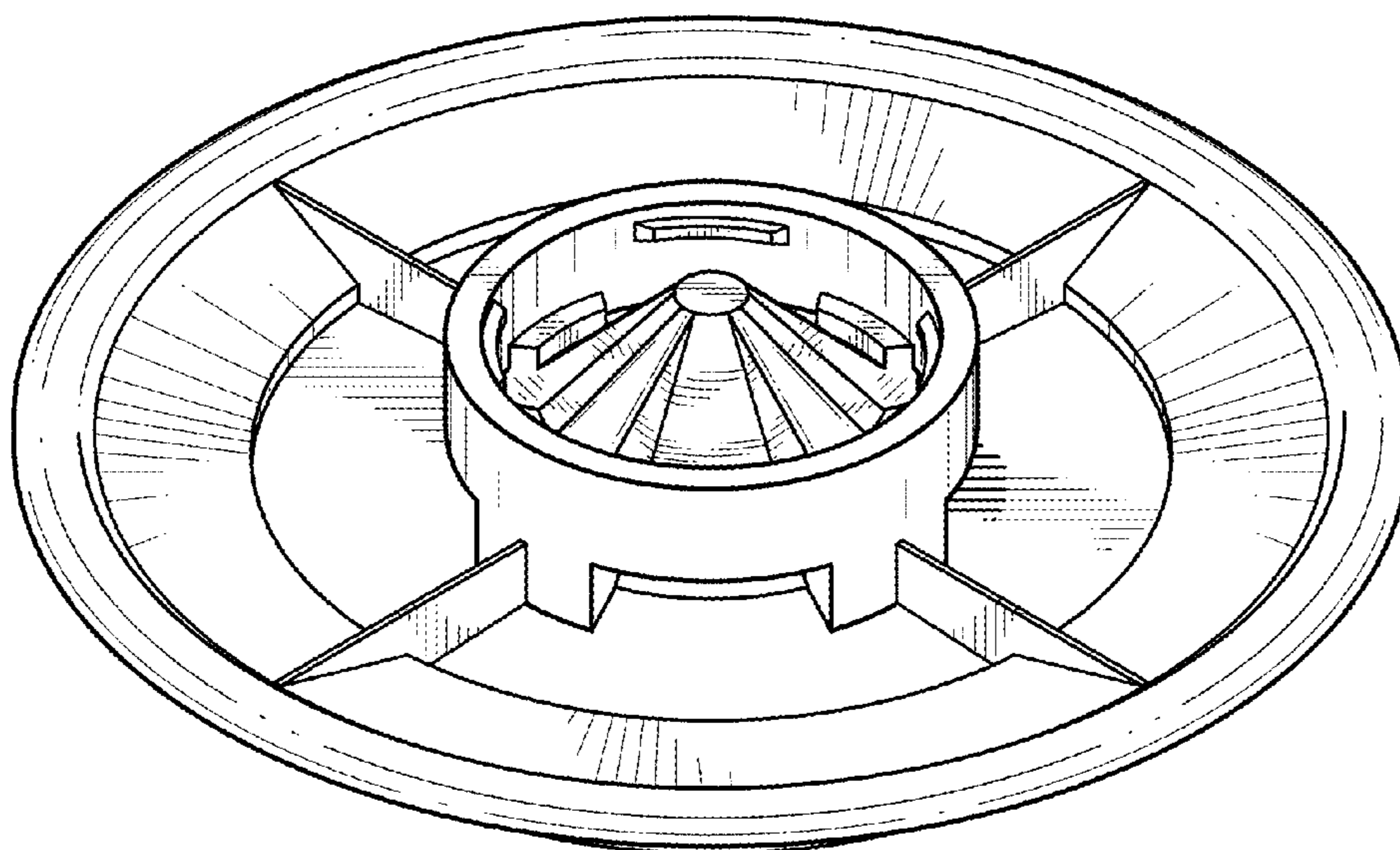
The ornamental design for a bird feeder base, as shown and described.

**DESCRIPTION**

FIG. 1 is an upper perspective view of a bird feeder base showing the new design;  
FIG. 2 is a lower perspective view of the bird feeder base;  
FIG. 3 is a top view thereof;  
FIG. 4 is a bottom view thereof; and,  
FIG. 5 is a side view thereof, where the front view, opposite side view and back view are identical to the side view in FIG. 5.

The broken lines showing portions of the bird feeder base form no part of the claimed design.

**1 Claim, 5 Drawing Sheets**



(56)

References Cited

U.S. PATENT DOCUMENTS

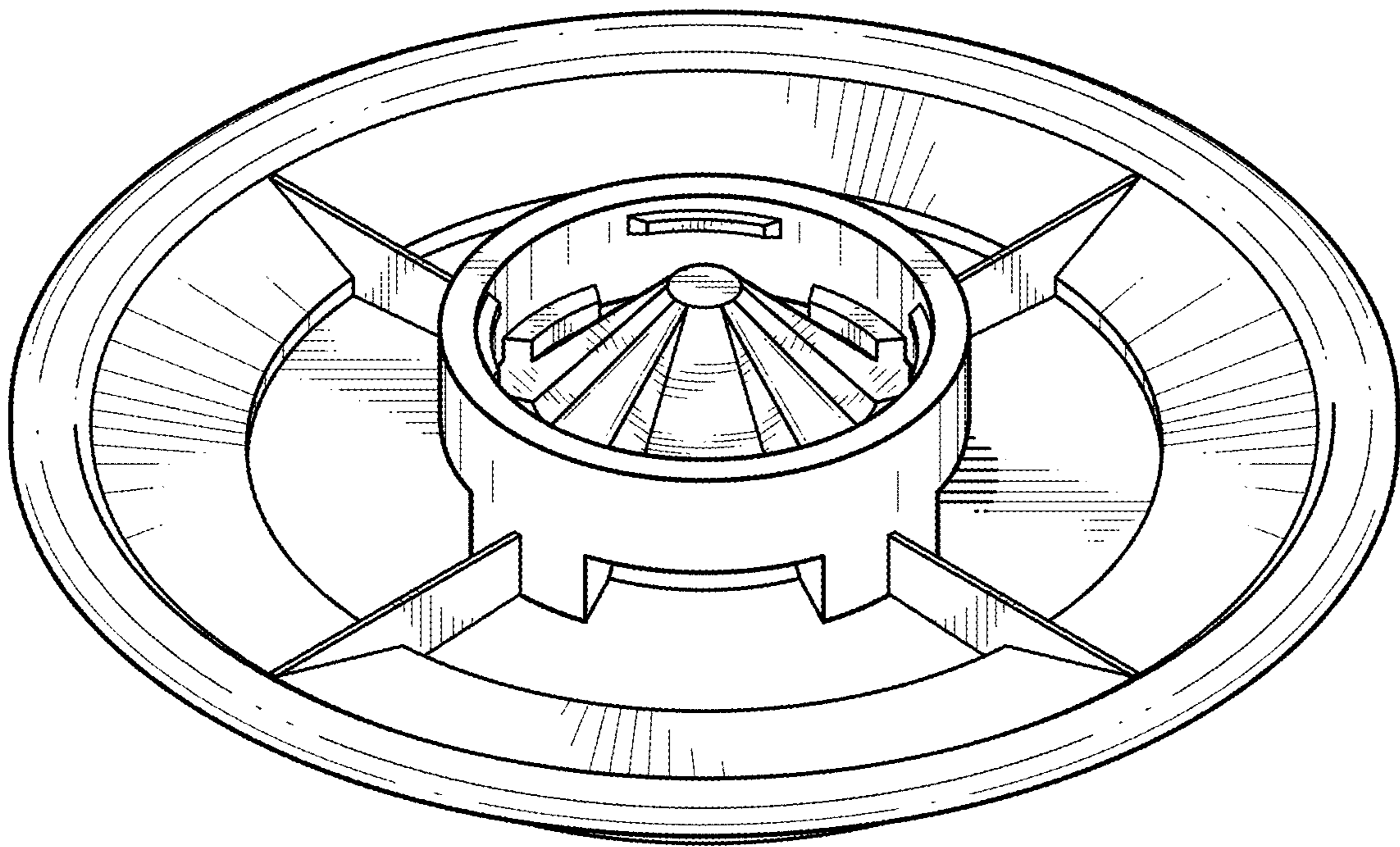
1,607,124 A \* 11/1926 Healy ..... A01K 39/026  
119/77  
1,734,390 A \* 11/1929 Meredith ..... A01K 39/026  
119/77  
1,801,932 A \* 4/1931 Miller ..... A01K 39/026  
119/77  
1,922,612 A \* 8/1933 Barker ..... A01K 39/00  
119/77  
2,324,020 A \* 7/1943 Pinson ..... A01K 39/026  
119/77  
2,573,802 A \* 11/1951 Mitchell ..... A01K 39/026  
222/457  
2,600,103 A \* 6/1952 Feck ..... A01K 39/026  
222/479  
2,702,528 A \* 2/1955 Lehmann ..... A01K 39/026  
119/77  
3,136,296 A \* 6/1964 Luin ..... A01K 39/012  
119/52.2  
3,398,827 A \* 8/1968 Laskin ..... B65D 1/36  
206/541  
3,780,703 A \* 12/1973 Boehland, Jr. .... A01K 39/012  
D30/111  
D244,786 S \* 6/1977 Dryden ..... D30/128  
4,989,419 A \* 2/1991 Brando ..... F25D 3/08  
62/457.2  
D320,290 S \* 9/1991 Kilham ..... D30/127  
5,195,463 A \* 3/1993 Lorenzana ..... A01K 45/002  
D30/123  
D380,877 S \* 7/1997 McNaughton ..... D30/124  
5,699,753 A \* 12/1997 Aldridge, III ..... A01K 5/0225  
119/52.4  
5,829,386 A \* 11/1998 Wenstrand ..... A01K 39/026  
119/77  
5,941,193 A \* 8/1999 Cole ..... A01K 39/0125  
119/57.4  
5,960,982 A \* 10/1999 Perlis ..... A47G 19/065  
220/574  
D460,839 S \* 7/2002 Kreger ..... D30/124  
D466,255 S \* 11/2002 Kuelbs ..... D30/124

6,866,004 B1 \* 3/2005 Lush ..... A01K 5/0225  
119/52.2  
D611,662 S \* 3/2010 Vosbikian ..... D30/128  
7,861,671 B2 \* 1/2011 Carter ..... A01K 39/026  
119/72  
9,089,111 B2 \* 7/2015 King ..... A01K 39/026  
D814,715 S \* 4/2018 Fox ..... D30/127  
D935,110 S \* 11/2021 Toellner ..... D30/132  
2003/0200933 A1 \* 10/2003 Park ..... A01K 39/012  
119/57.8  
2008/0022936 A1 \* 1/2008 Stone ..... A01K 39/012  
119/52.2  
2009/0320765 A1 \* 12/2009 Gauker ..... A01K 39/04  
119/75  
2010/0224132 A1 \* 9/2010 Gauker ..... A01K 39/02  
119/80  
2011/0297095 A1 \* 12/2011 Cruz ..... A01K 39/012  
119/80  
2012/0132143 A1 \* 5/2012 Parks ..... A01K 5/0114  
119/51.01  
2012/0132144 A1 \* 5/2012 Parks ..... A01K 5/0114  
119/51.5  
2014/0137804 A1 \* 5/2014 Chen ..... A01K 39/0206  
119/72  
2014/0251220 A1 \* 9/2014 King ..... A01K 39/012  
119/53  
2014/0261200 A1 \* 9/2014 Tu ..... A01K 39/012  
119/57.8  
2015/0342154 A1 \* 12/2015 DiOrio ..... A01K 39/012  
119/52.2  
2021/0127642 A1 \* 5/2021 Tuthill ..... A01K 39/04

OTHER PUBLICATIONS

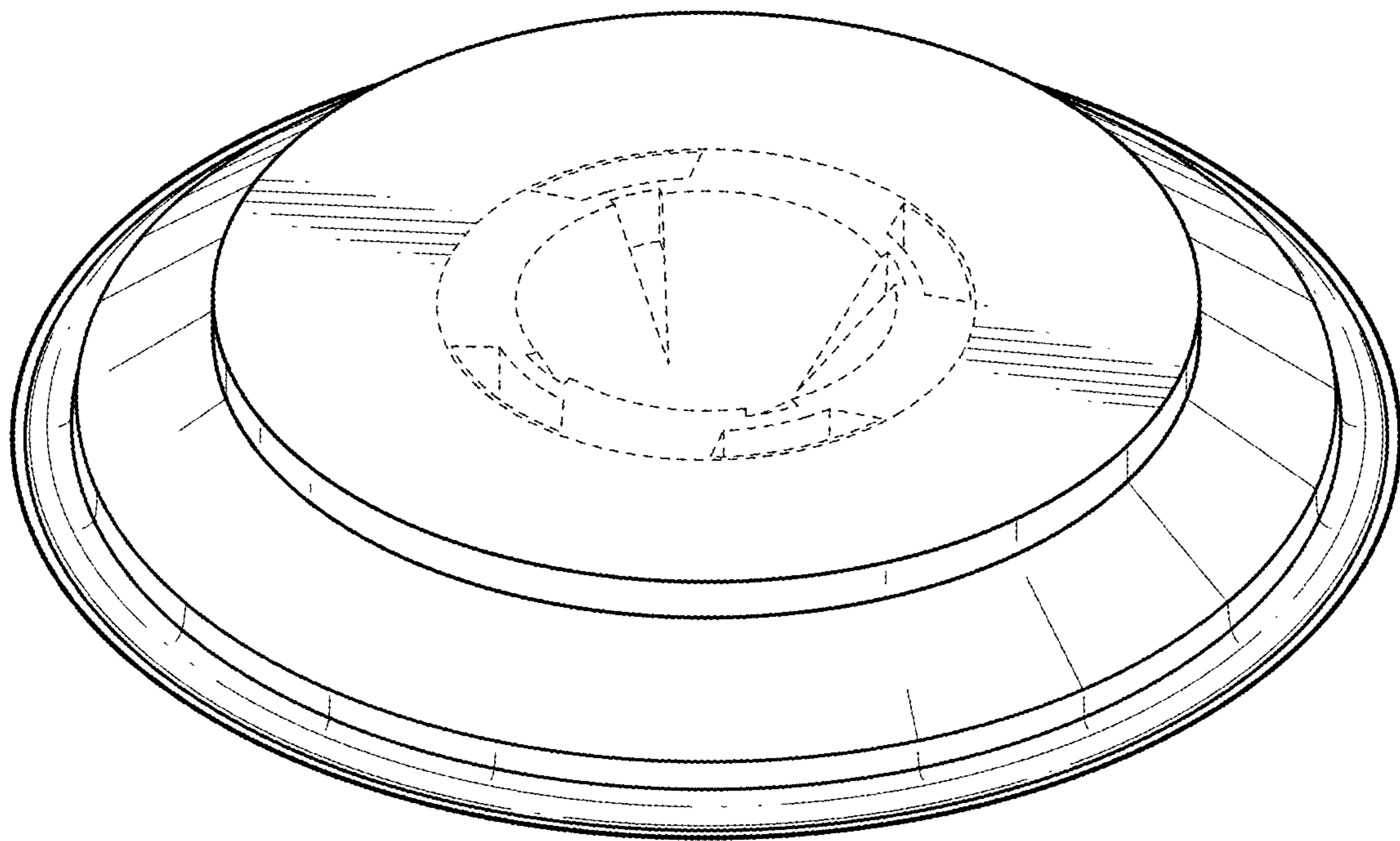
Switch N Swap Combo Pack, posted date unknown [online],  
retrieved [Aug. 4, 2022]. Retrieved from internet, [https://  
songbirdessentials.com/item/BE139](https://songbirdessentials.com/item/BE139) (Year: 2022).\*  
Switch N Swap Jelly Feeder, posted date unknown [online], retrieved  
[Aug. 4, 2022]. Retrieved from internet, [https://nature-niche.com/  
products/switch-n-swap-32oz-jelly-feeder](https://nature-niche.com/products/switch-n-swap-32oz-jelly-feeder) (Year: 2022).\*

\* cited by examiner

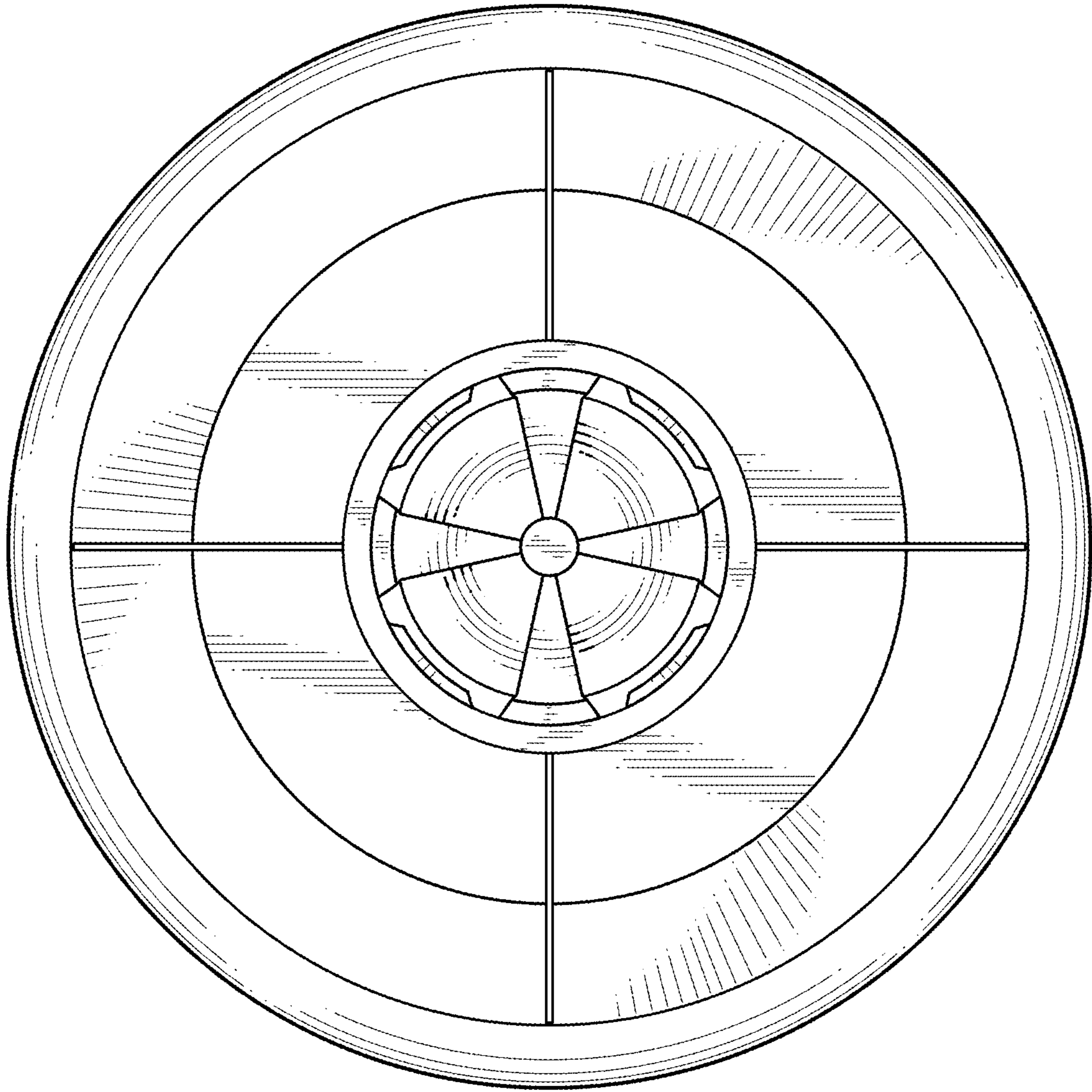


**FIG. 1**

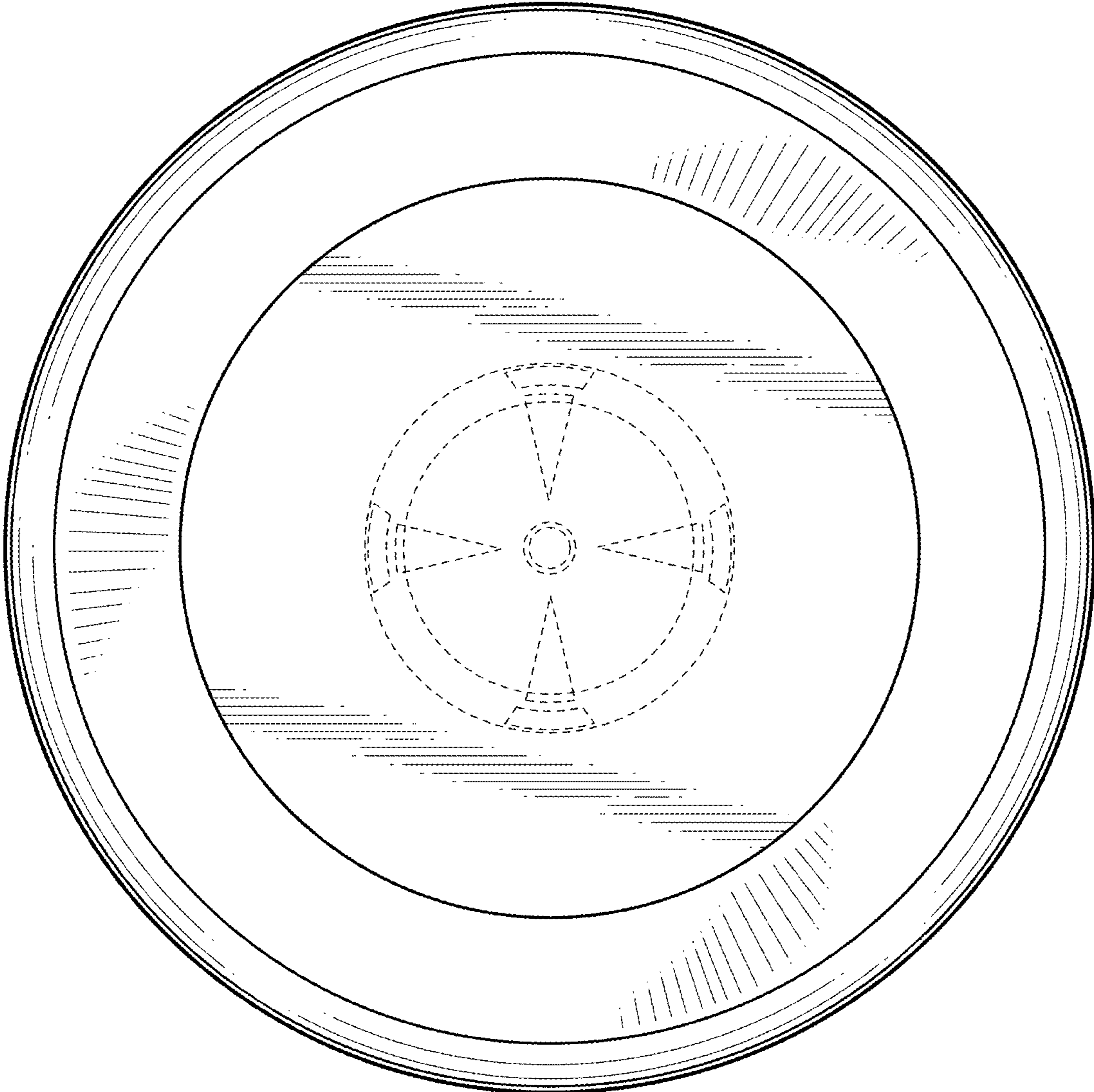




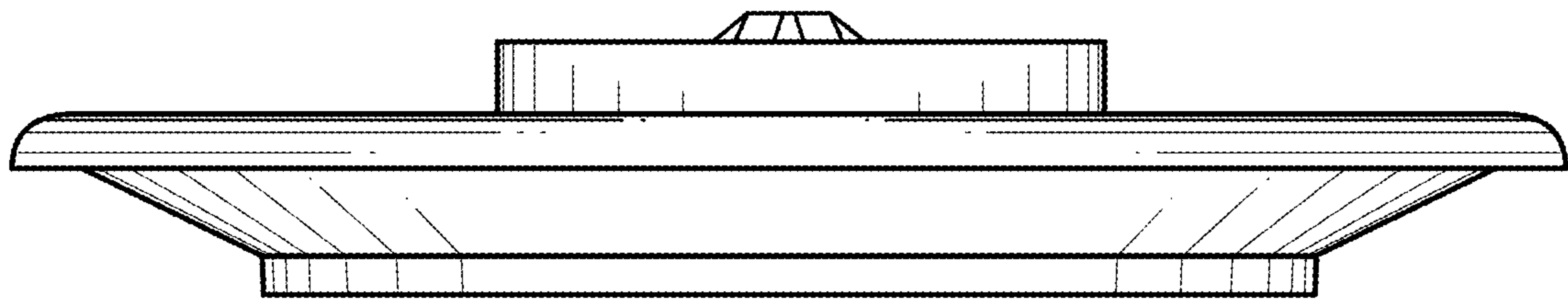
**FIG. 2**



**FIG. 3**



**FIG. 4**



**FIG. 5**