

US00D979853S

(12) **United States Design Patent** (10) **Patent No.:** **US D979,853 S**
Hall (45) **Date of Patent:** **** Feb. 28, 2023**

(54) **PET BED**

(71) Applicant: **Diane Gaynell Hall**, Olympia, WA
(US)

(72) Inventor: **Diane Gaynell Hall**, Olympia, WA
(US)

(**) Term: **15 Years**

(21) Appl. No.: **29/808,597**

(22) Filed: **Sep. 21, 2021**

(51) **LOC (14) Cl.** **30-06**

(52) **U.S. Cl.**

USPC **D30/118**

(58) **Field of Classification Search**

USPC D3/232, 279; D6/334, 382, 595, 596,
D6/601, 605, 677, 692, 708.2;
D30/108-120, 152, 160, 161
CPC A01K 1/0107; A01K 1/033; A01K 1/0272;
A01K 1/0236; A01K 1/029; A01K 1/034;
A01K 1/035; A01K 1/0035; A01K
1/0353; A01K 1/0157; A01K 31/07;
A01K 31/08

See application file for complete search history.

(56) **References Cited**

U.S. PATENT DOCUMENTS

D193,609 S * 9/1962 Davis D30/118
D221,558 S * 8/1971 Zimmerman D30/118
D309,199 S * 7/1990 McMahon D30/118
D418,409 S * 1/2000 Hampshire D9/428
D426,076 S * 6/2000 Peterson D30/118
D435,147 S * 12/2000 Northrop D30/118
D503,500 S * 3/2005 Gaspari D30/129
D535,062 S * 1/2007 McGinley D30/118
D577,158 S * 9/2008 Song D30/118
D580,601 S * 11/2008 Song D30/118
D600,029 S * 9/2009 Paulin D6/334
D613,461 S * 4/2010 Troya D30/118
D617,056 S * 6/2010 Zine D6/601
D628,400 S * 12/2010 Duchaufour Lawrance .. D6/334

D638,996 S * 5/2011 Zine D30/118
D653,406 S * 1/2012 Kahn D30/118
D677,014 S * 2/2013 Duvigneau D30/118
D740,497 S * 10/2015 Richardson D6/707.13
D774,705 S * 12/2016 Iiams D30/118

(Continued)

FOREIGN PATENT DOCUMENTS

CN 305394460 * 10/2019
CN 305532868 * 1/2020
CN 307588803 * 10/2022

OTHER PUBLICATIONS

Gregory Kenny, announced in design-milk.com on Aug. 28, 2009.
[online], [site visited Dec. 5, 2022], Available from the internet
URL: <https://design-milk.com/gregory-kenny/> (Year: 2009).*

(Continued)

Primary Examiner — Vy N Koenig
Assistant Examiner — Elizabeth Anne Glassberg

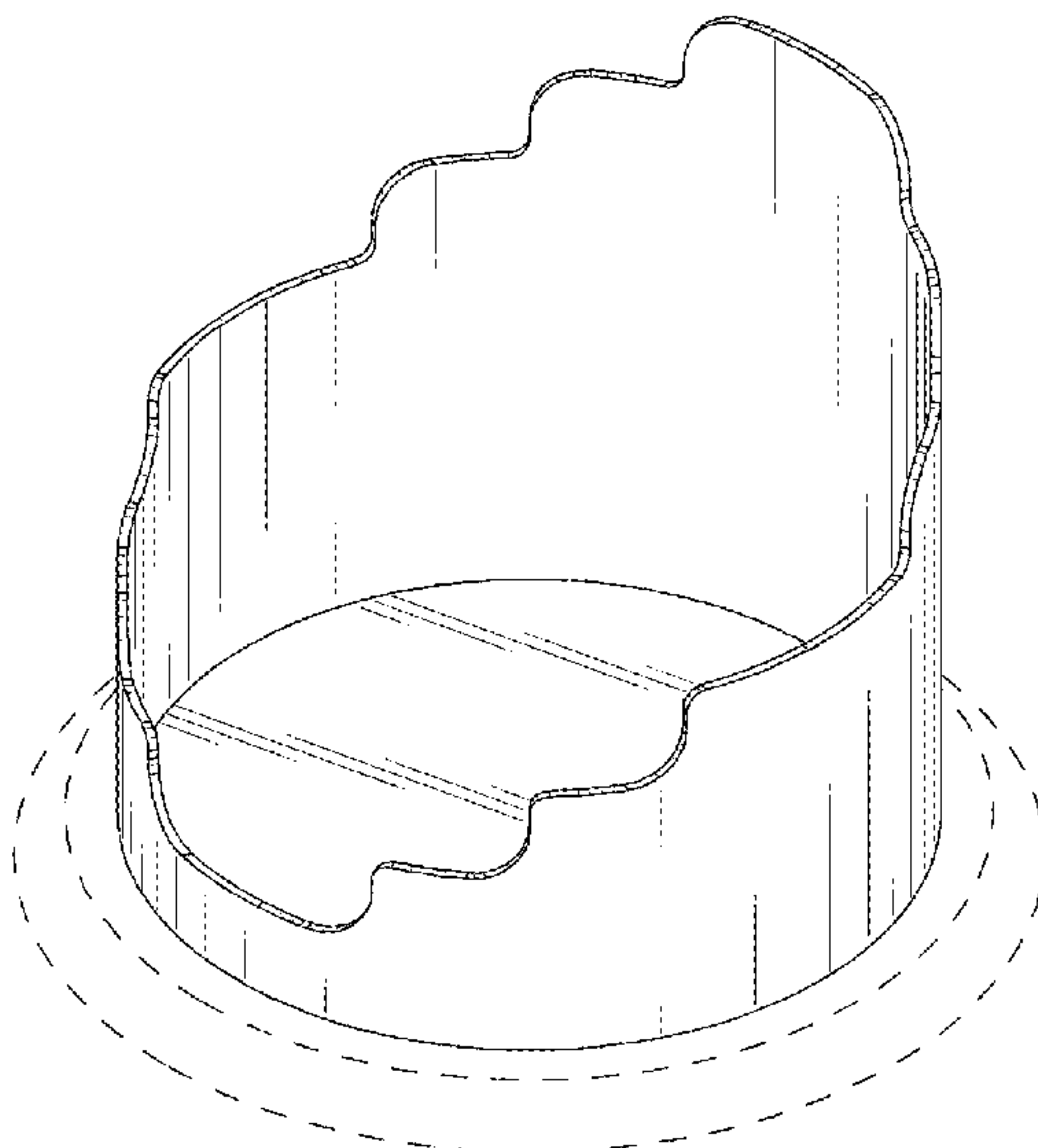
(57) **CLAIM**

The ornamental design for a pet bed, as shown and described.

DESCRIPTION

FIG. 1 is a top front perspective view of a pet bed showing my new design;
FIG. 2 is a bottom rear perspective view thereof;
FIG. 3 is a left elevational view thereof;
FIG. 4 is a right elevational view thereof;
FIG. 5 is a top plan view thereof;
FIG. 6 is a bottom plan view thereof;
FIG. 7 is a front elevational view thereof; and,
FIG. 8 is a back elevational view thereof.
The broken line showing the base in FIGS. 1-8 is included for the purpose of illustrating environmental structure and forms no part of the claimed design.

1 Claim, 8 Drawing Sheets



(56)

References Cited

U.S. PATENT DOCUMENTS

D791,523 S * 7/2017 Bernard D6/692
D845,016 S * 4/2019 Akkad D6/364
D927,214 S * 8/2021 Joseph D6/377
D961,175 S * 8/2022 Kuhne D3/304
D965,919 S * 10/2022 Zuppke D6/692
2022/0151195 A1 * 5/2022 Ki A01K 1/0107

OTHER PUBLICATIONS

Luxury Glamour Pet Bed by Oh Charlie Golden, available in PetsOwnUs.com on Nov. 17, 2019 [online], [site visited Dec. 6, 2022], Available from the internet URL: <https://www.petsownus.co.uk/products/luxury-glamour-pet-bed-by-oh-charlie-golden?variant=32091769733258> (Year: 2019).*

PreciousTails Leather and Leopard Princess Dog Sofa, available in Wayfair.com, customer review oldest date Jun. 16, 2020 [online], [site visited Dec. 5, 2022], Available from the internet URL: <https://www.wayfair.com/pet/pdp/precious-tails-leather-and-leopard-princess-dog-sofa-ocji1151.html?piid=502> (Year: 2020).*

* cited by examiner

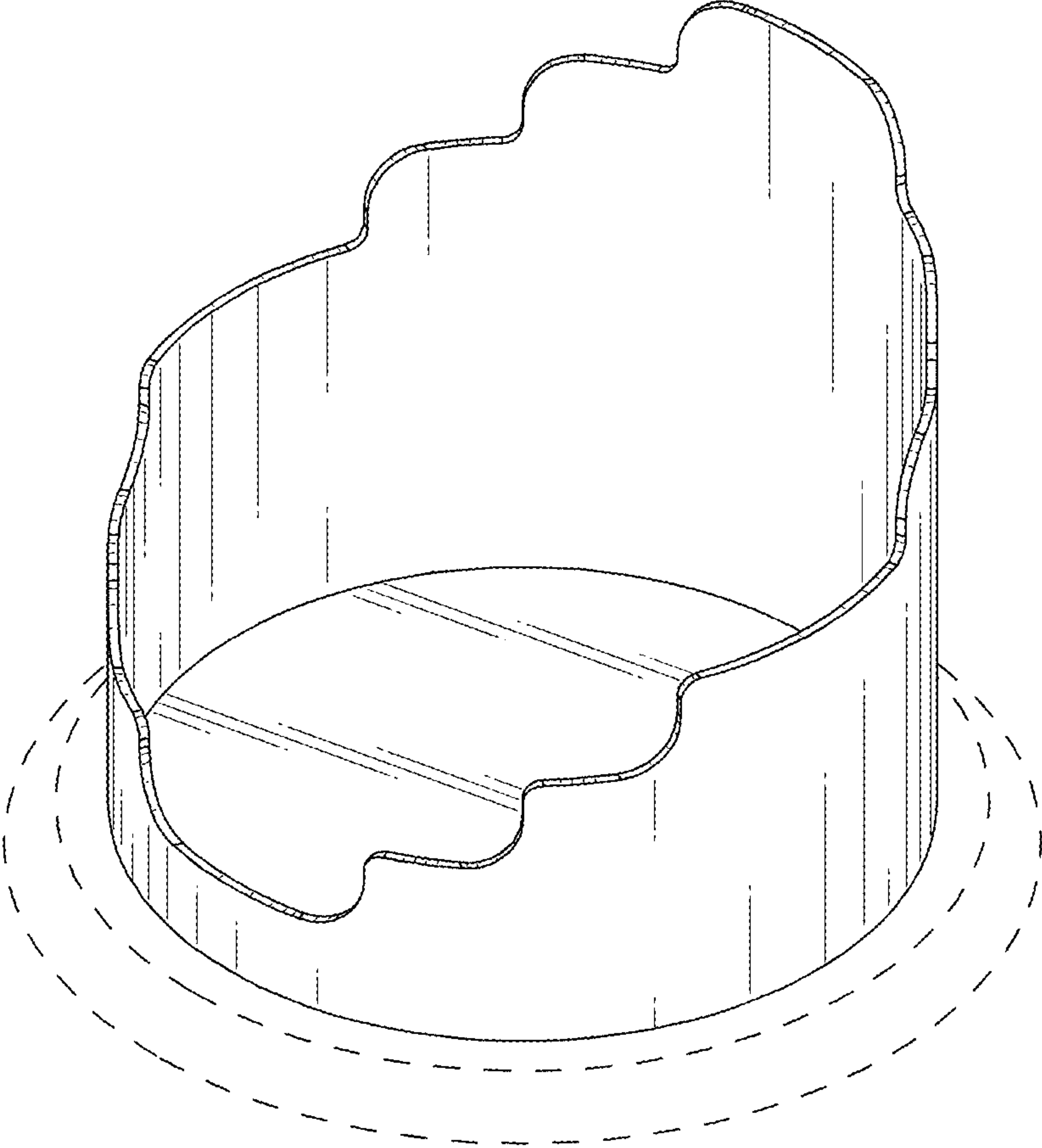


FIG. 1

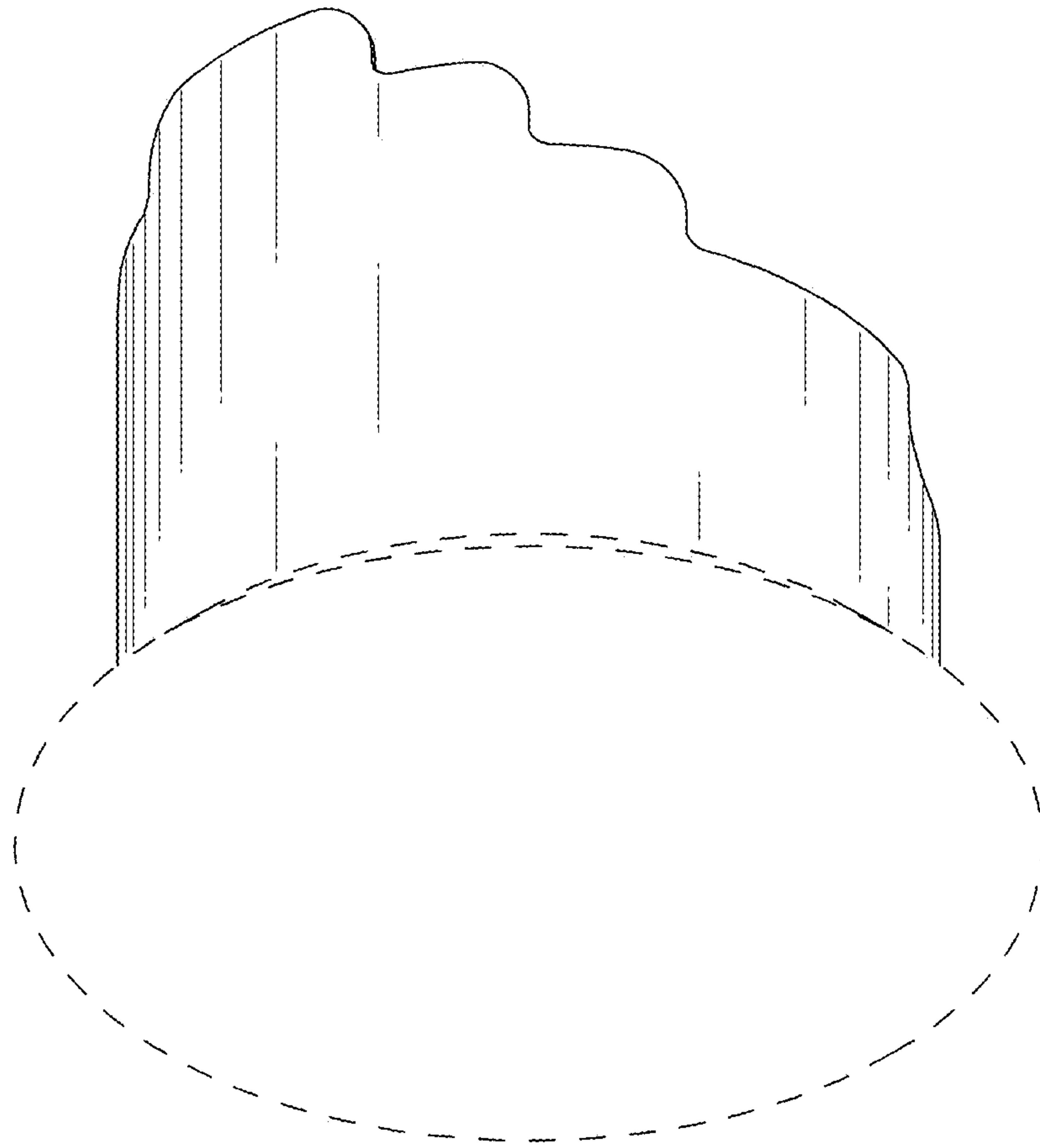


FIG. 2

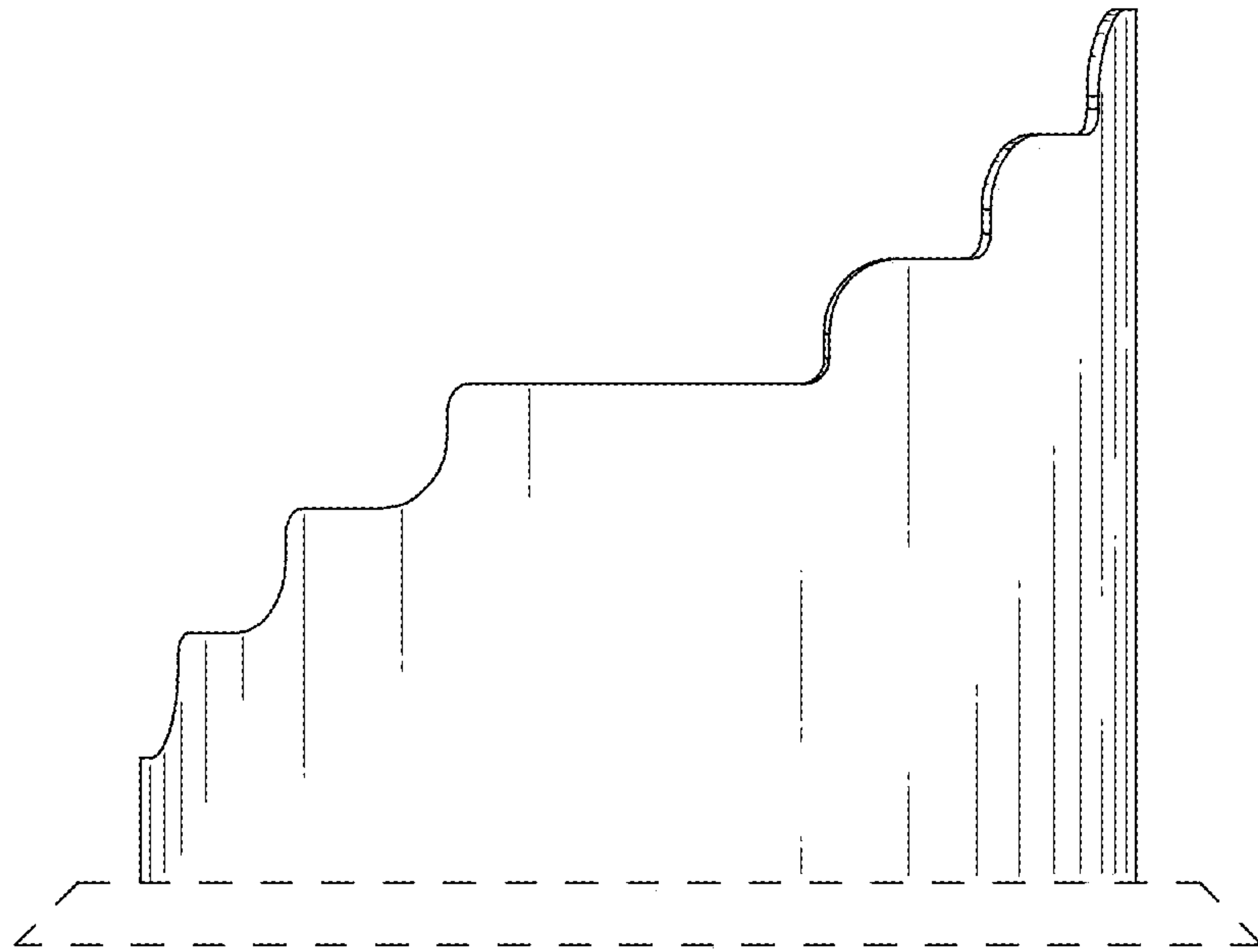


FIG. 3

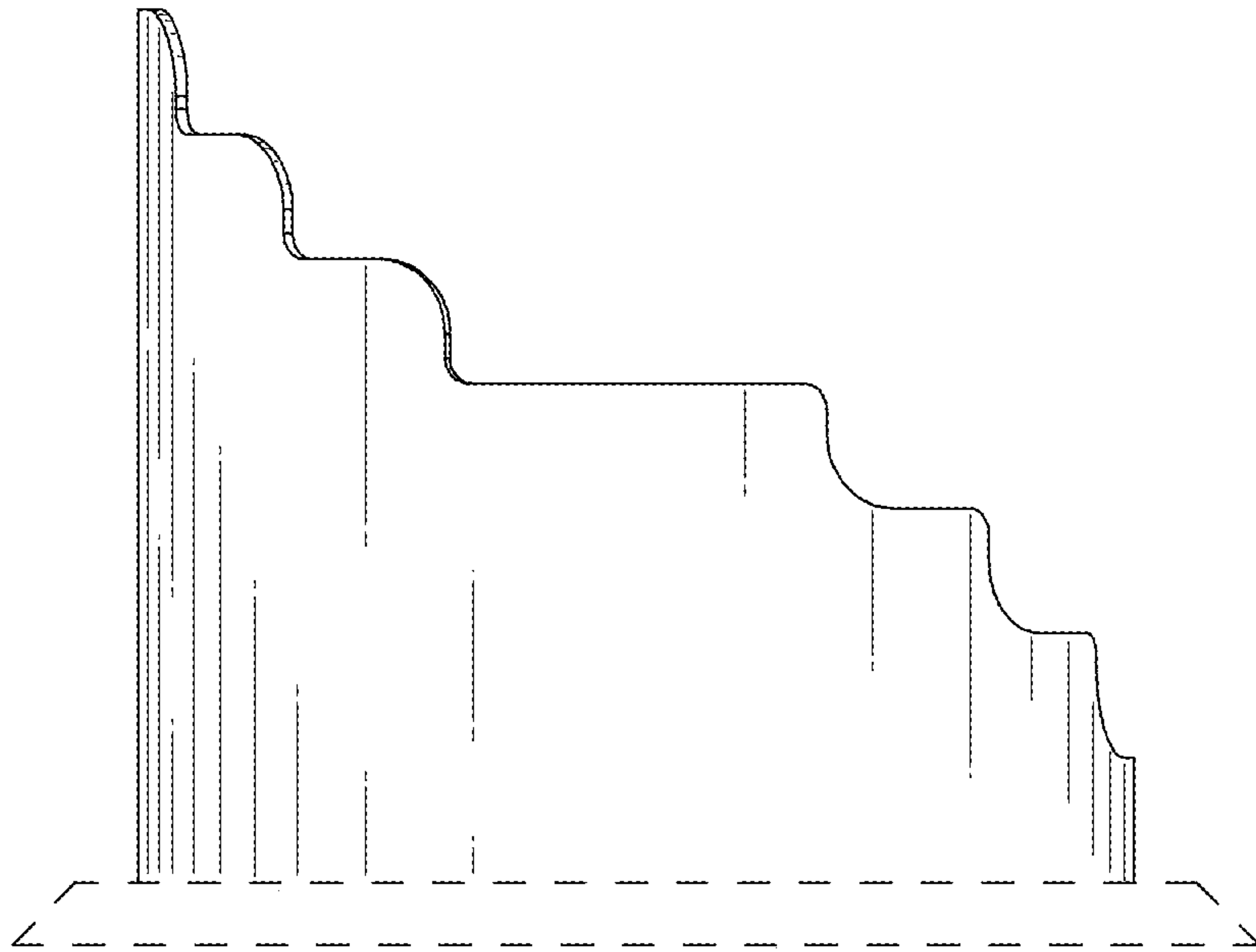


FIG. 4

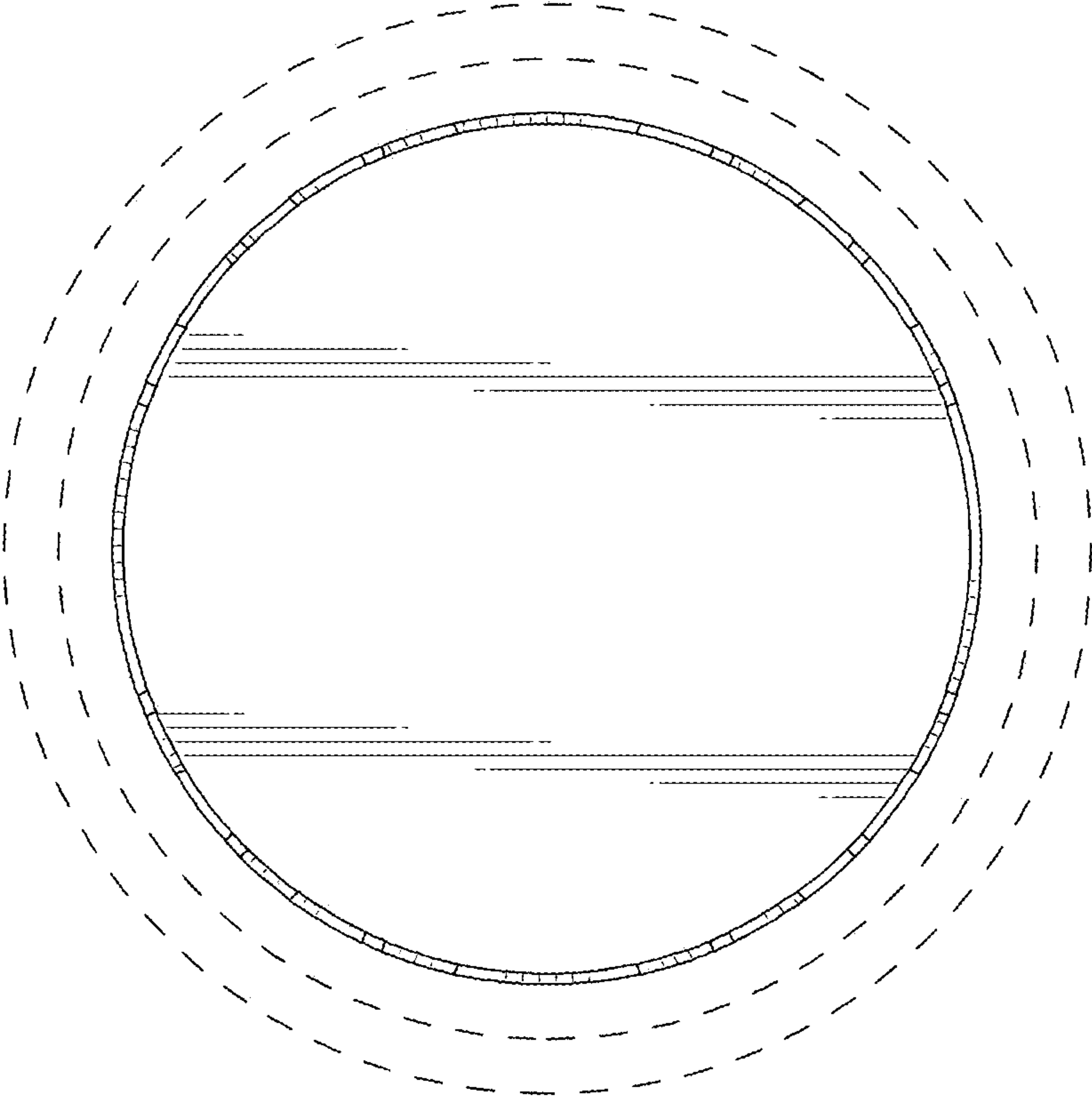


FIG. 5

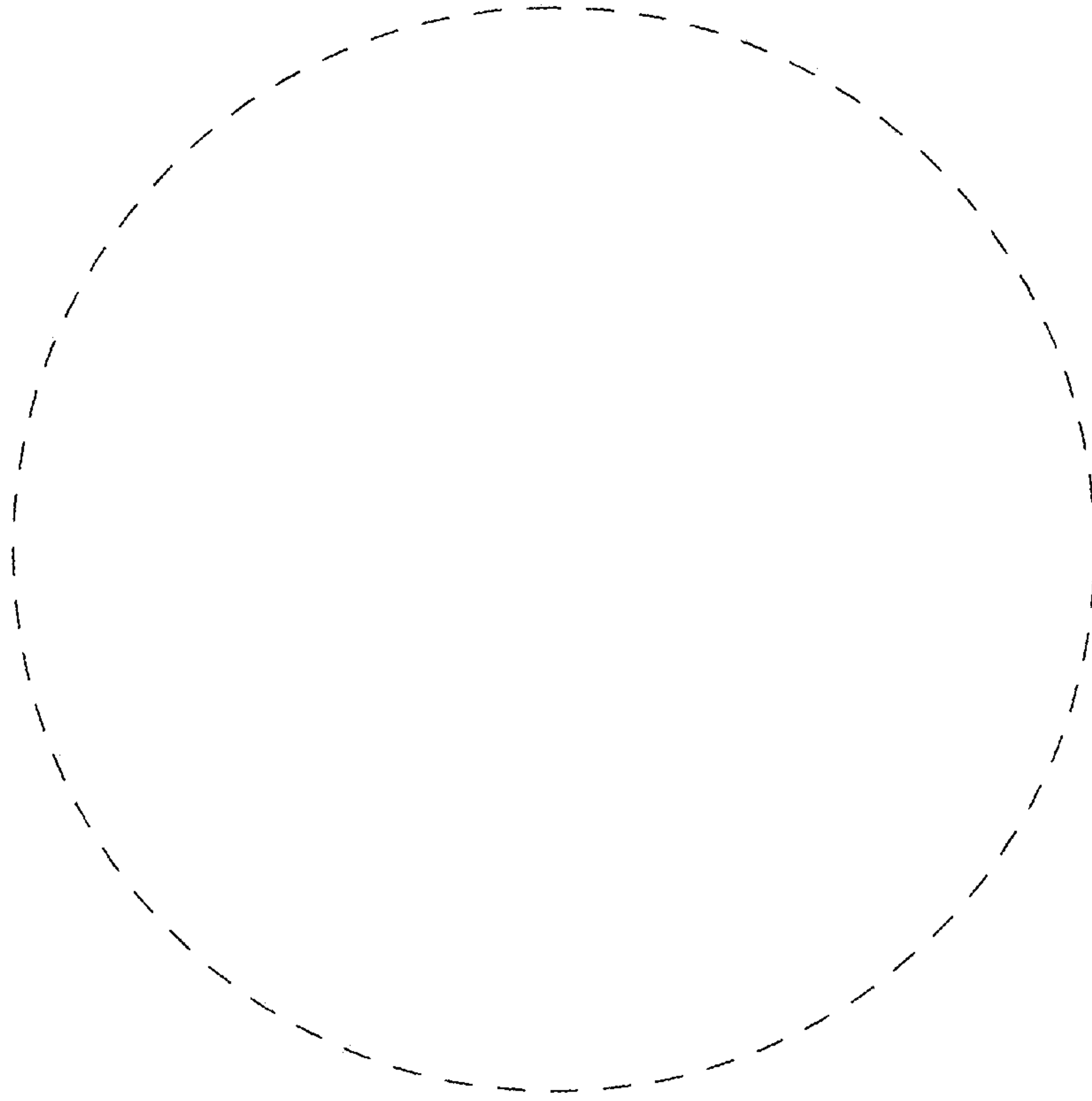


FIG. 6

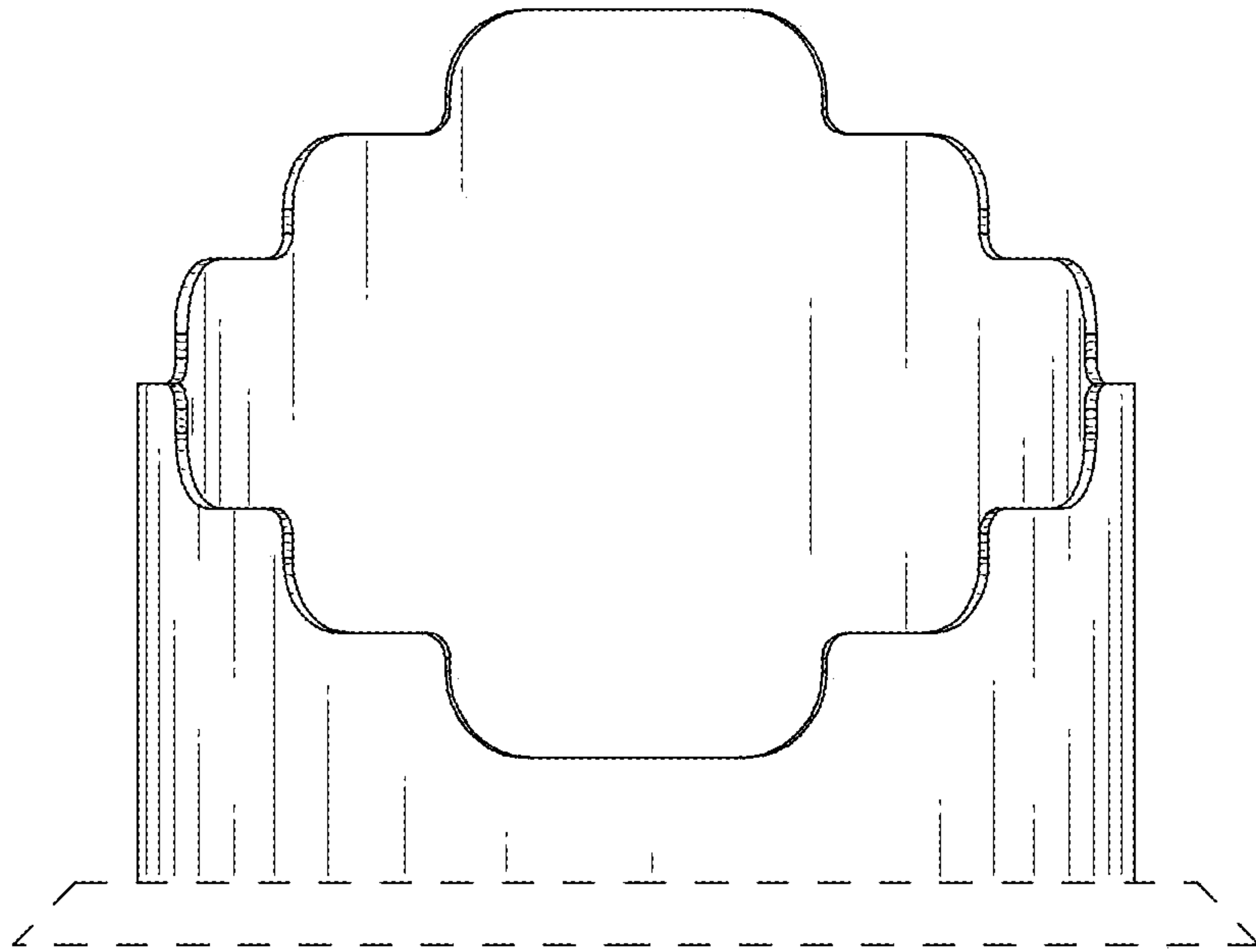


FIG. 7

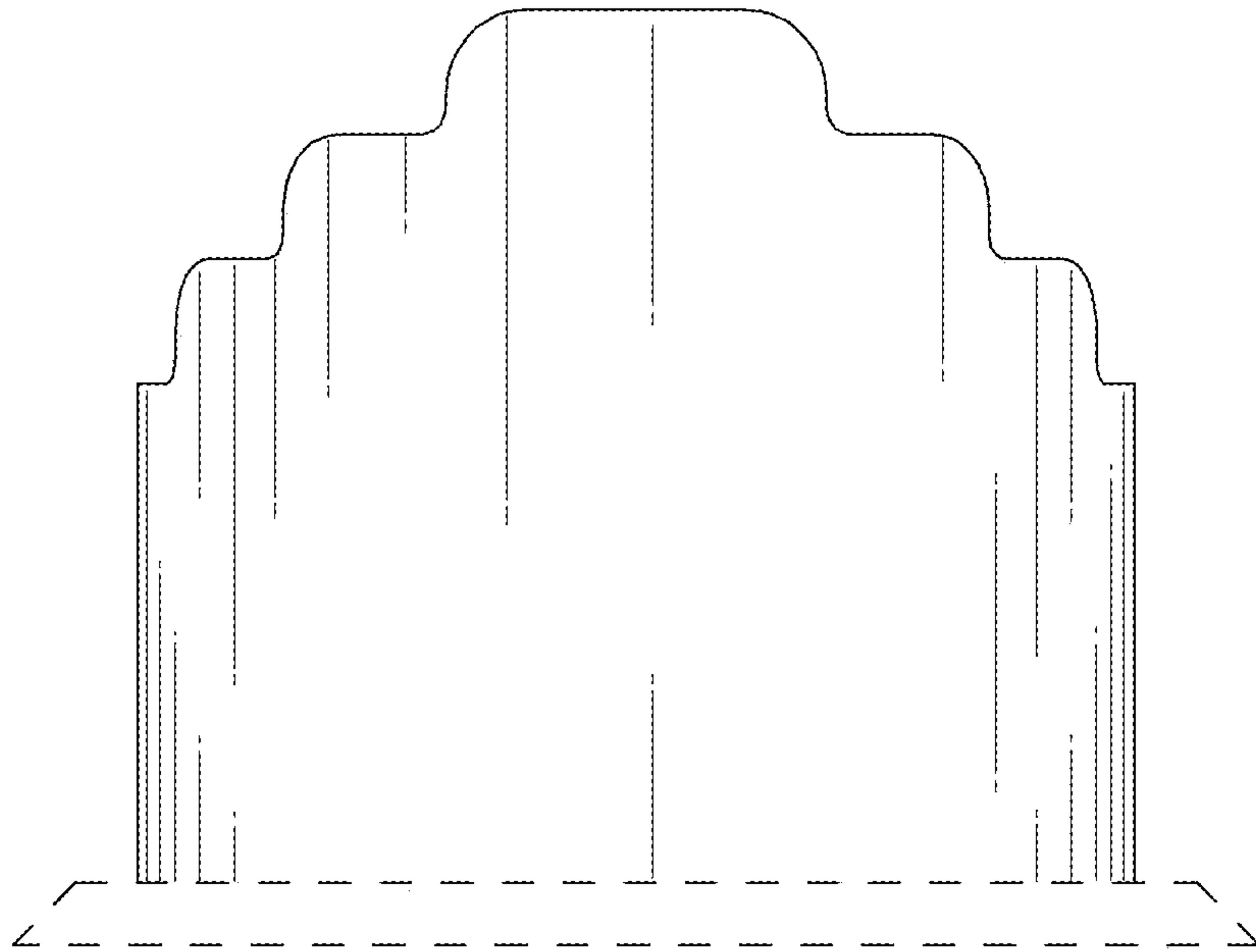


FIG. 8