



US00D979852S

(12) **United States Design Patent** (10) **Patent No.:** **US D979,852 S**  
**Hall** (45) **Date of Patent:** **\*\* Feb. 28, 2023**

(54) **PET BED**  
(71) Applicant: **Diane Gaynell Hall**, Olympia, WA (US)  
(72) Inventor: **Diane Gaynell Hall**, Olympia, WA (US)  
(\*\*) Term: **15 Years**  
(21) Appl. No.: **29/808,335**  
(22) Filed: **Sep. 17, 2021**  
(51) **LOC (14) Cl.** ..... **30-06**  
(52) **U.S. Cl.**  
USPC ..... **D30/118**  
(58) **Field of Classification Search**  
USPC ..... D3/232, 279; D6/334, 382, 595, 596, D6/601, 605, 677, 692, 708.2; D30/108-120, 152, 160, 161  
CPC .... A01K 1/0107; A01K 1/033; A01K 1/0272; A01K 1/0236; A01K 1/029; A01K 1/034; A01K 1/035; A01K 1/0035; A01K 1/0353; A01K 1/0157; A01K 31/07; A01K 31/08  
See application file for complete search history.

D638,996 S \* 5/2011 Zine ..... D30/118  
D653,406 S \* 1/2012 Kahn ..... D30/118  
D677,014 S \* 2/2013 Duvigneau ..... D30/118  
D740,497 S \* 10/2015 Richardson ..... D6/707.13  
D774,705 S \* 12/2016 Iiams ..... D30/118  
(Continued)

**FOREIGN PATENT DOCUMENTS**

CN 305394460 \* 10/2019  
CN 305532868 \* 1/2020  
CN 307588803 \* 10/2022

**OTHER PUBLICATIONS**

Gregory Kenny, announced in design-milk.com on Aug. 28, 2009 [online], [site visited Dec. 5, 2022], Available from the internet URL: <https://design-milk.com/gregory-kenny/> (Year: 2009).\*  
(Continued)

*Primary Examiner* — Vy N Koenig  
*Assistant Examiner* — Elizabeth Anne Glassberg

(57) **CLAIM**

The ornamental design for a pet bed, as shown and described.

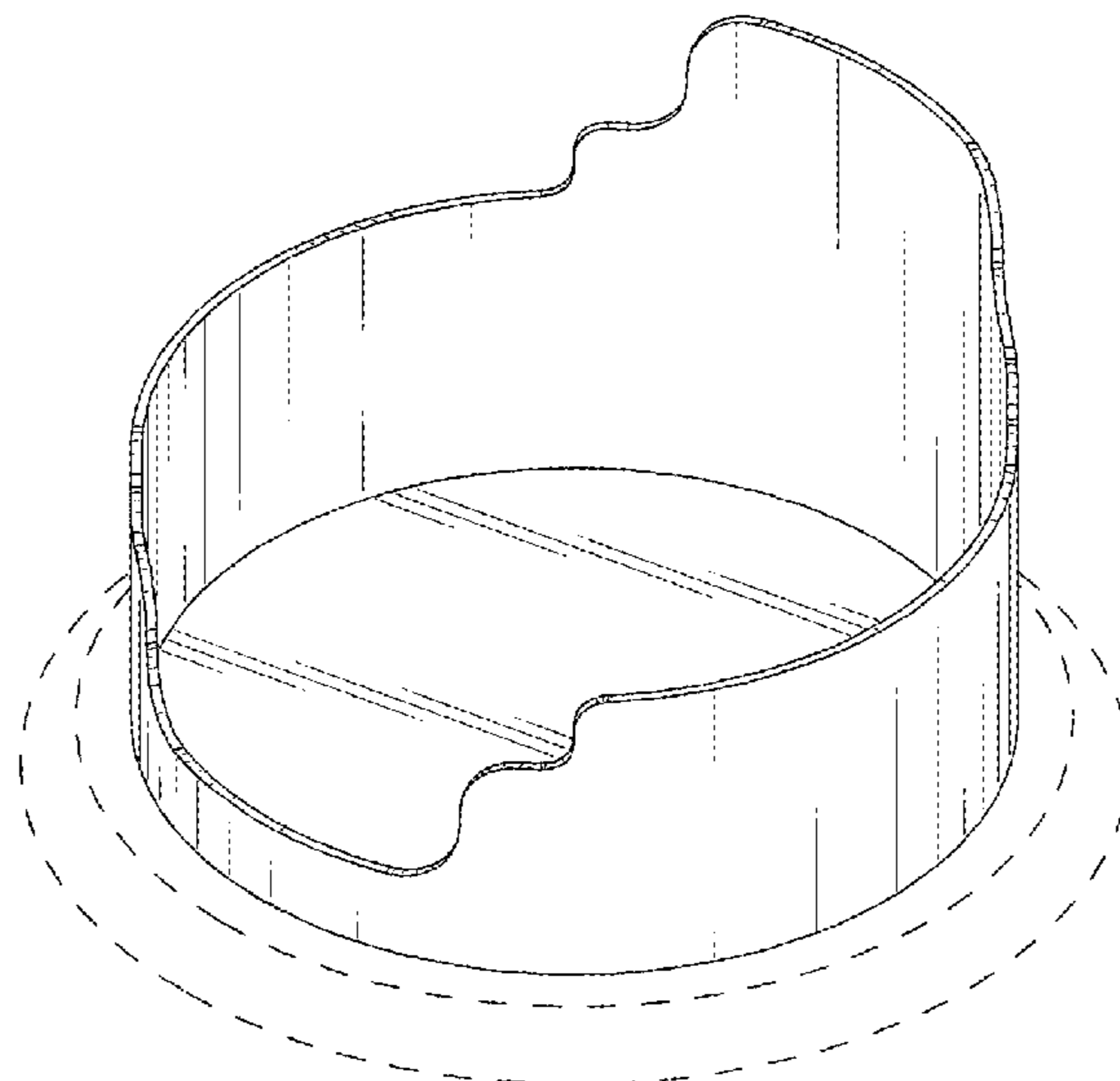
**DESCRIPTION**

FIG. 1 is a top front perspective view of a pet bed showing my new design;  
FIG. 2 is a bottom rear perspective view thereof;  
FIG. 3 is a left elevational view thereof;  
FIG. 4 is a right elevational view thereof;  
FIG. 5 is a top plan view thereof;  
FIG. 6 is a bottom plan view thereof;  
FIG. 7 is a front elevational view thereof; and,  
FIG. 8 is a back elevational view thereof.  
The broken line showing the base in FIGS. 1-8 is included for the purpose of illustrating environmental structure and forms no part of the claimed design.

**1 Claim, 8 Drawing Sheets**

(56) **References Cited**  
**U.S. PATENT DOCUMENTS**

D193,609 S \* 9/1962 Davis ..... D30/118  
D221,558 S \* 8/1971 Zimmerman ..... D30/118  
D309,199 S \* 7/1990 McMahon ..... D30/118  
D418,409 S \* 1/2000 Hampshire ..... D9/428  
D426,076 S \* 6/2000 Peterson ..... D30/118  
D435,147 S \* 12/2000 Northrop ..... D30/118  
D503,500 S \* 3/2005 Gaspari ..... D30/129  
D535,062 S \* 1/2007 McGinley ..... D30/118  
D577,158 S \* 9/2008 Song ..... D30/118  
D580,601 S \* 11/2008 Song ..... D30/118  
D600,029 S \* 9/2009 Paulin ..... D6/334  
D613,461 S \* 4/2010 Troya ..... D30/118  
D617,056 S \* 6/2010 Zine ..... D6/601  
D628,400 S \* 12/2010 Duchaufour Lawrance .. D6/334



(56)

**References Cited**

U.S. PATENT DOCUMENTS

D791,523 S \* 7/2017 Bernard ..... D6/692  
D845,016 S \* 4/2019 Akkad ..... D6/364  
D927,214 S \* 8/2021 Joseph ..... D6/377  
D961,175 S \* 8/2022 Kuhne ..... D3/304  
D965,919 S \* 10/2022 Zuppke ..... D6/692  
2022/0151195 A1 \* 5/2022 Ki ..... A01K 1/0107

OTHER PUBLICATIONS

Luxury Glamour Pet Bed by Oh Charlie Golden, available in PetsOwnUs.com on Nov. 17, 2019 [online], [site visited Dec. 6, 2022], Available from the internet URL: <https://www.petsownus.co.uk/products/luxury-glamour-pet-bed-by-oh-charlie-golden?variant=32091769733258> (Year: 2019).\*

PreciousTails Leather and Leopard Princess Dog Sofa, available in Wayfair.com, customer review oldest date Jun. 16, 2020 [online], [site visited Dec. 5, 2022], Available from the internet URL: <https://www.wayfair.com/pet/pdp/precious-tails-leather-and-leopard-princess-dog-sofa-ocji1151.html?piid=502> (Year: 2020).\*

\* cited by examiner

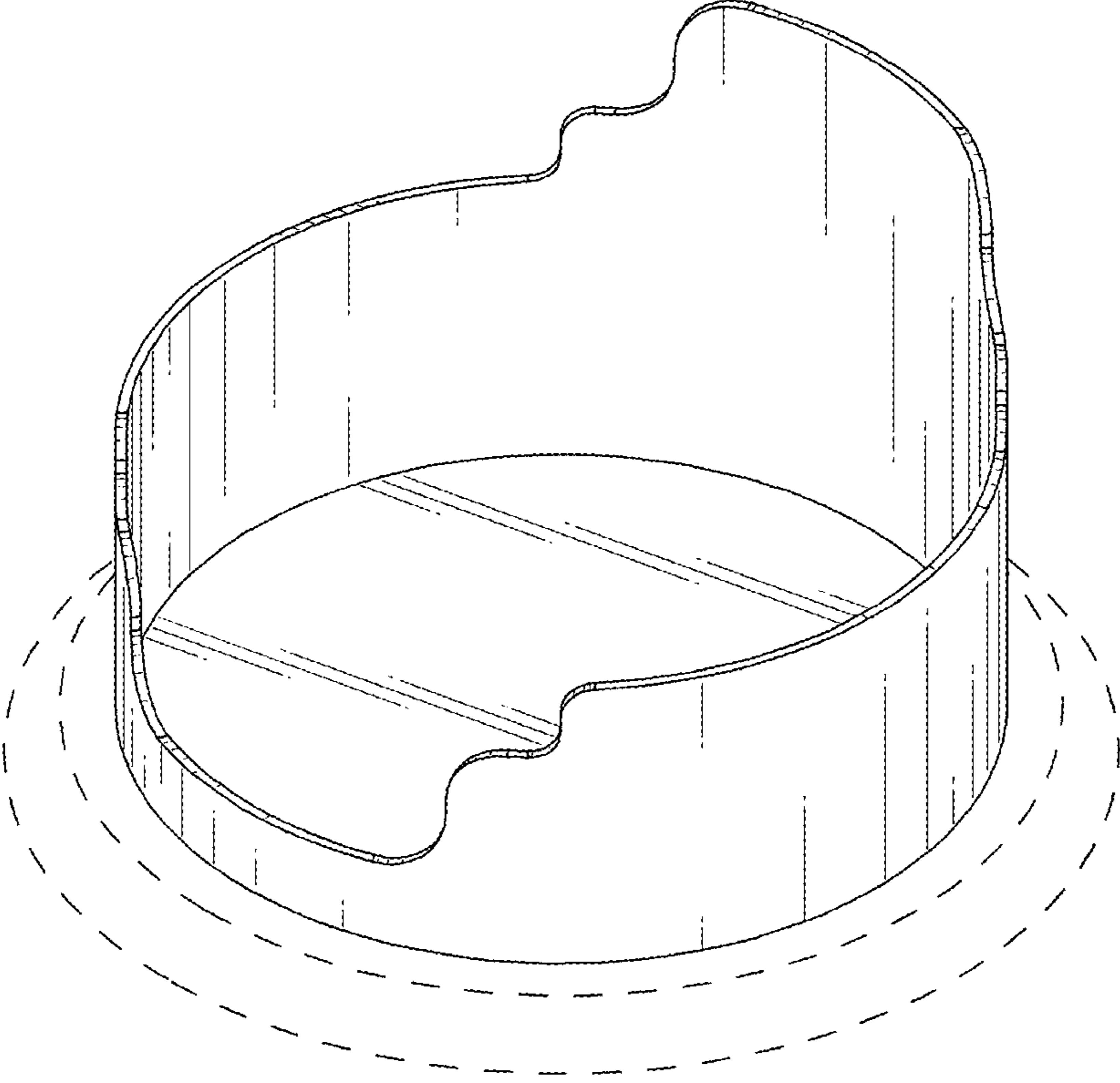


FIG. 1

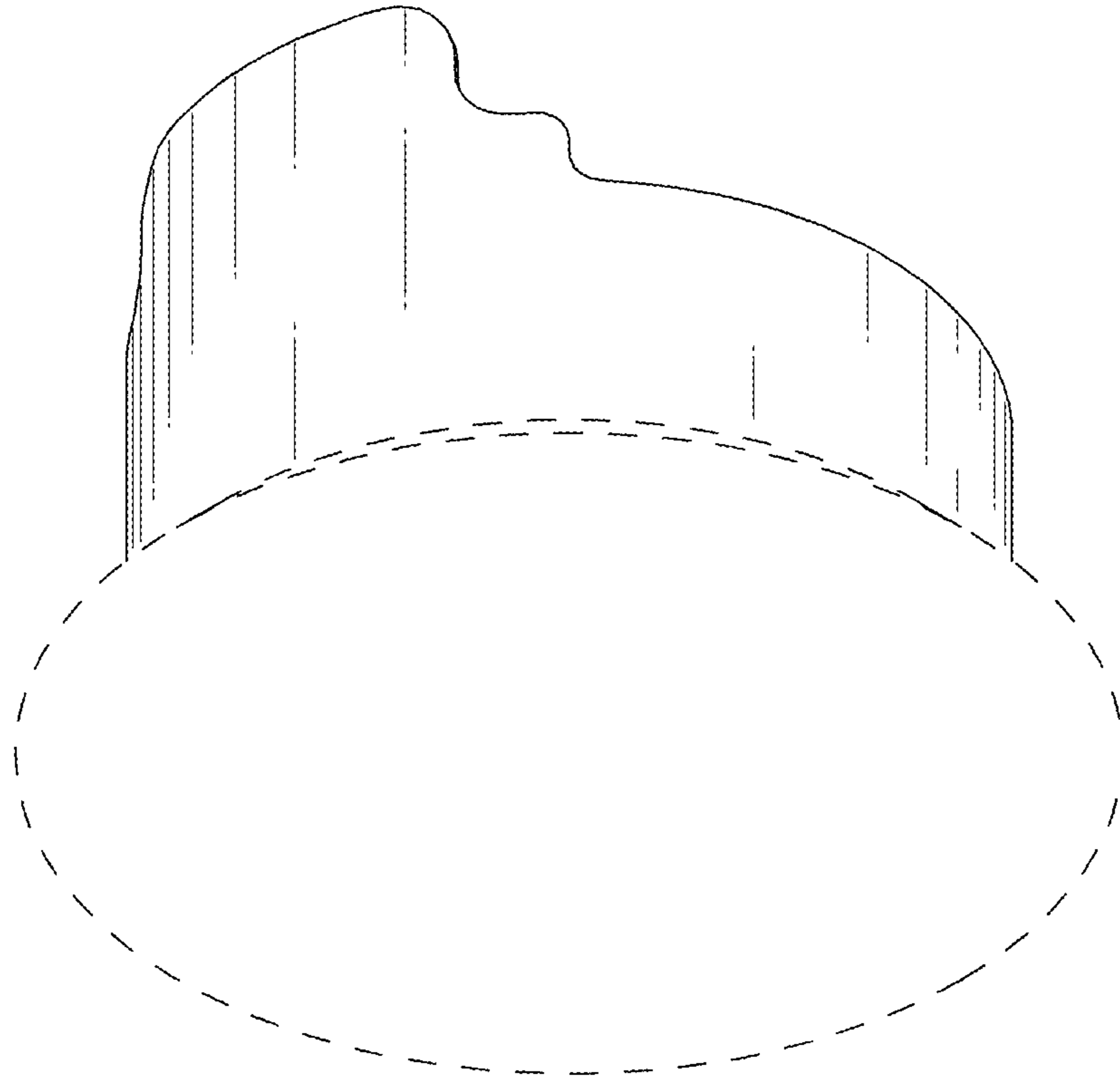


FIG. 2

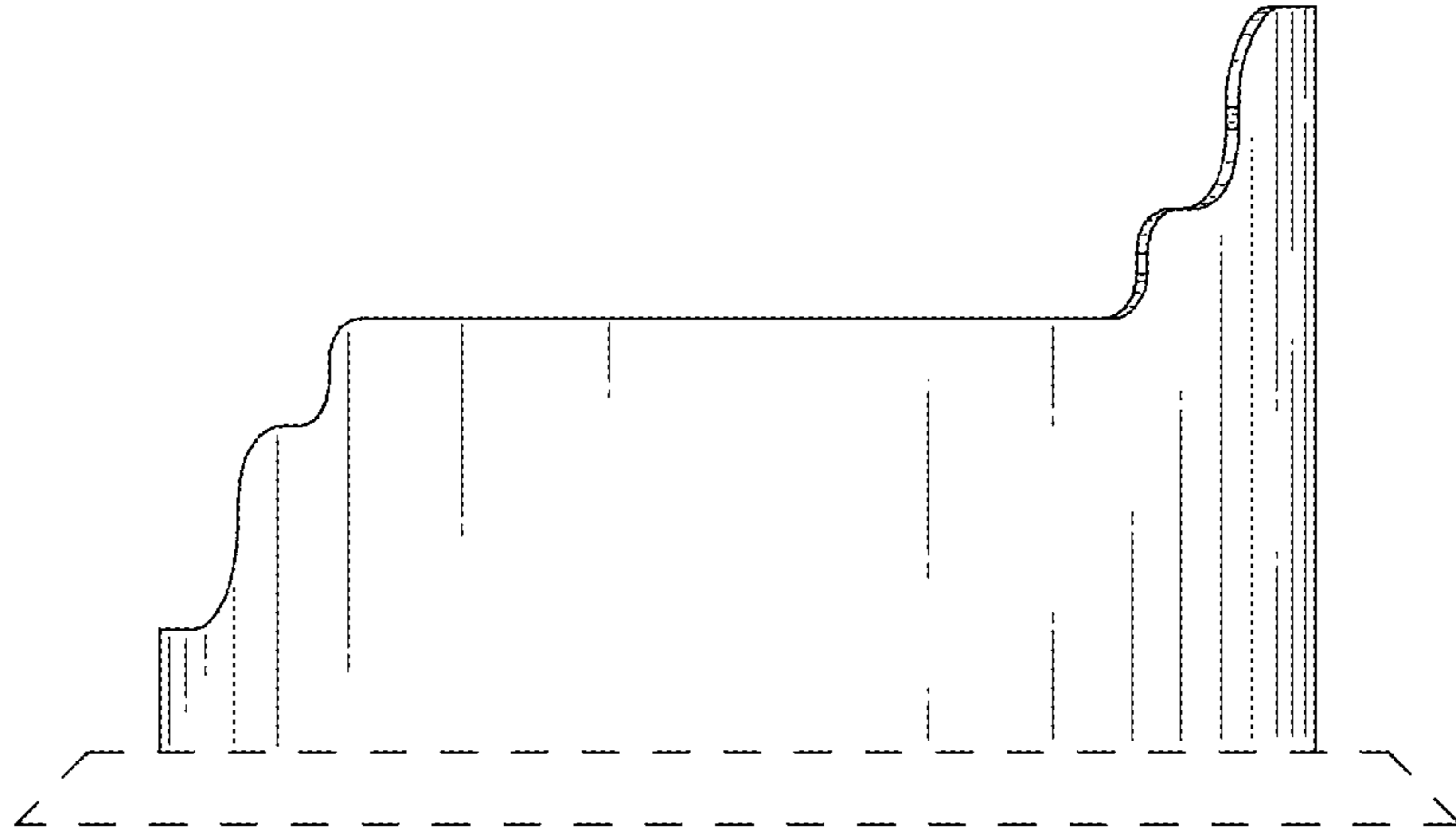


FIG. 3

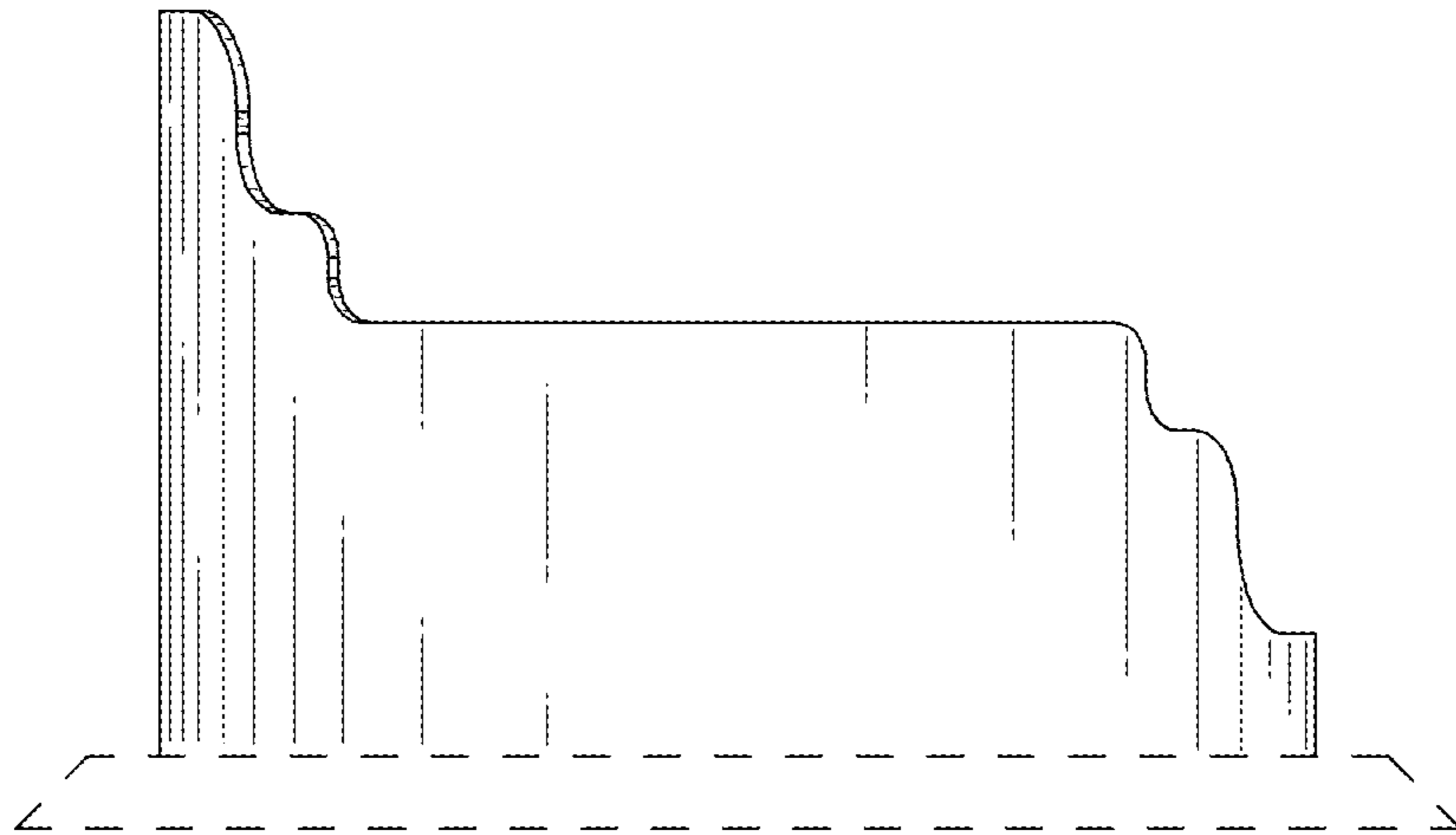


FIG. 4

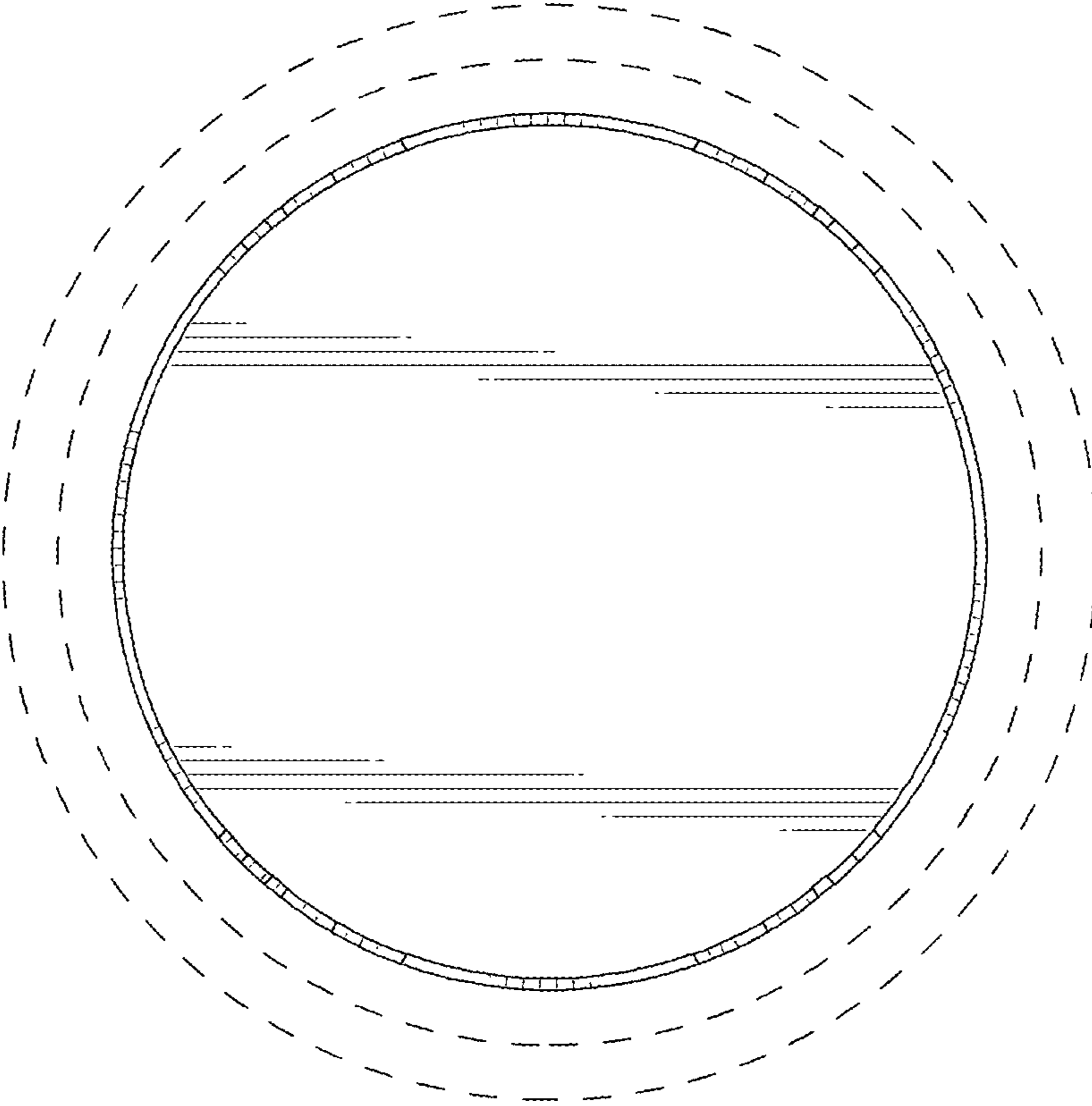


FIG. 5

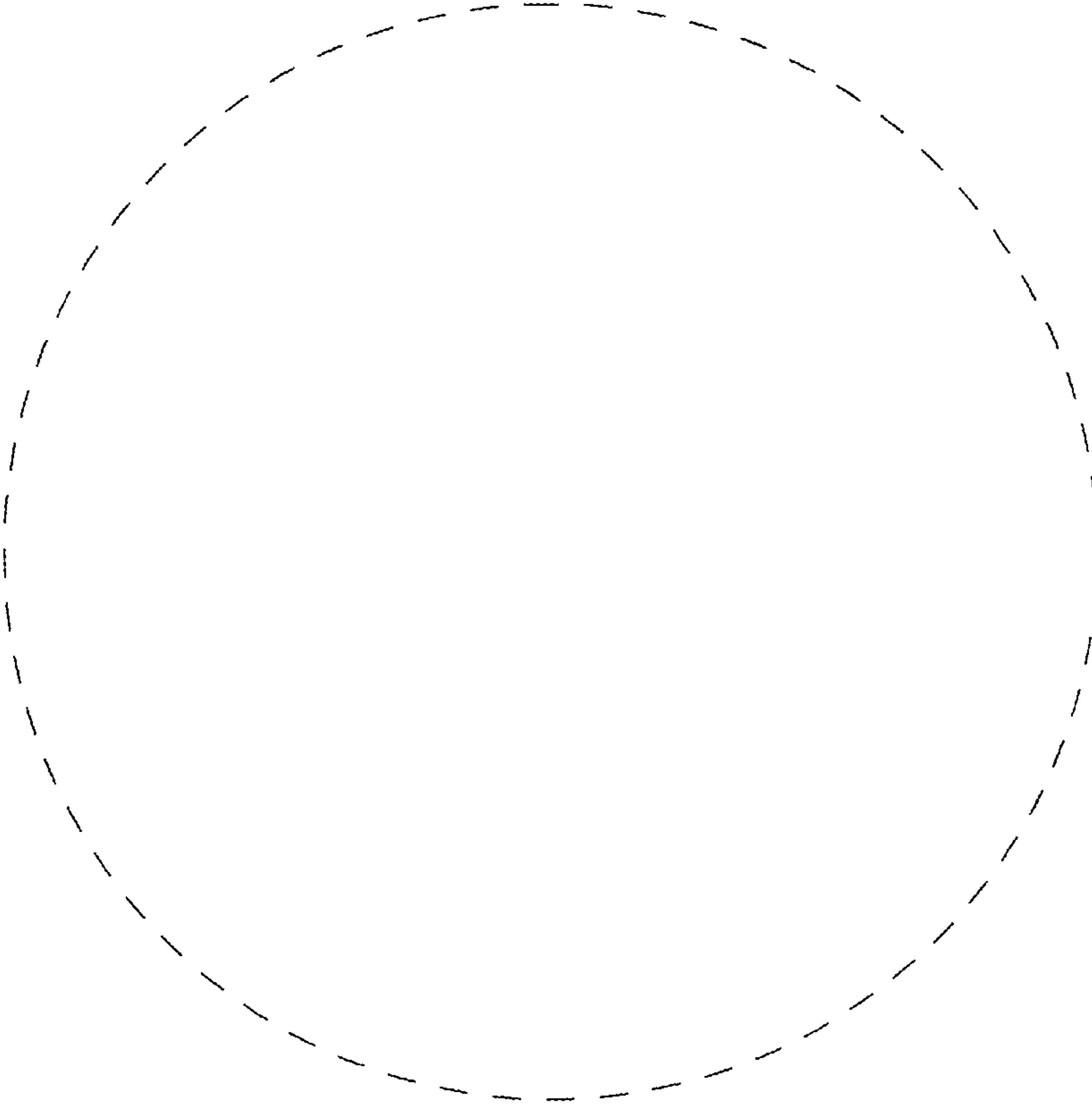


FIG. 6



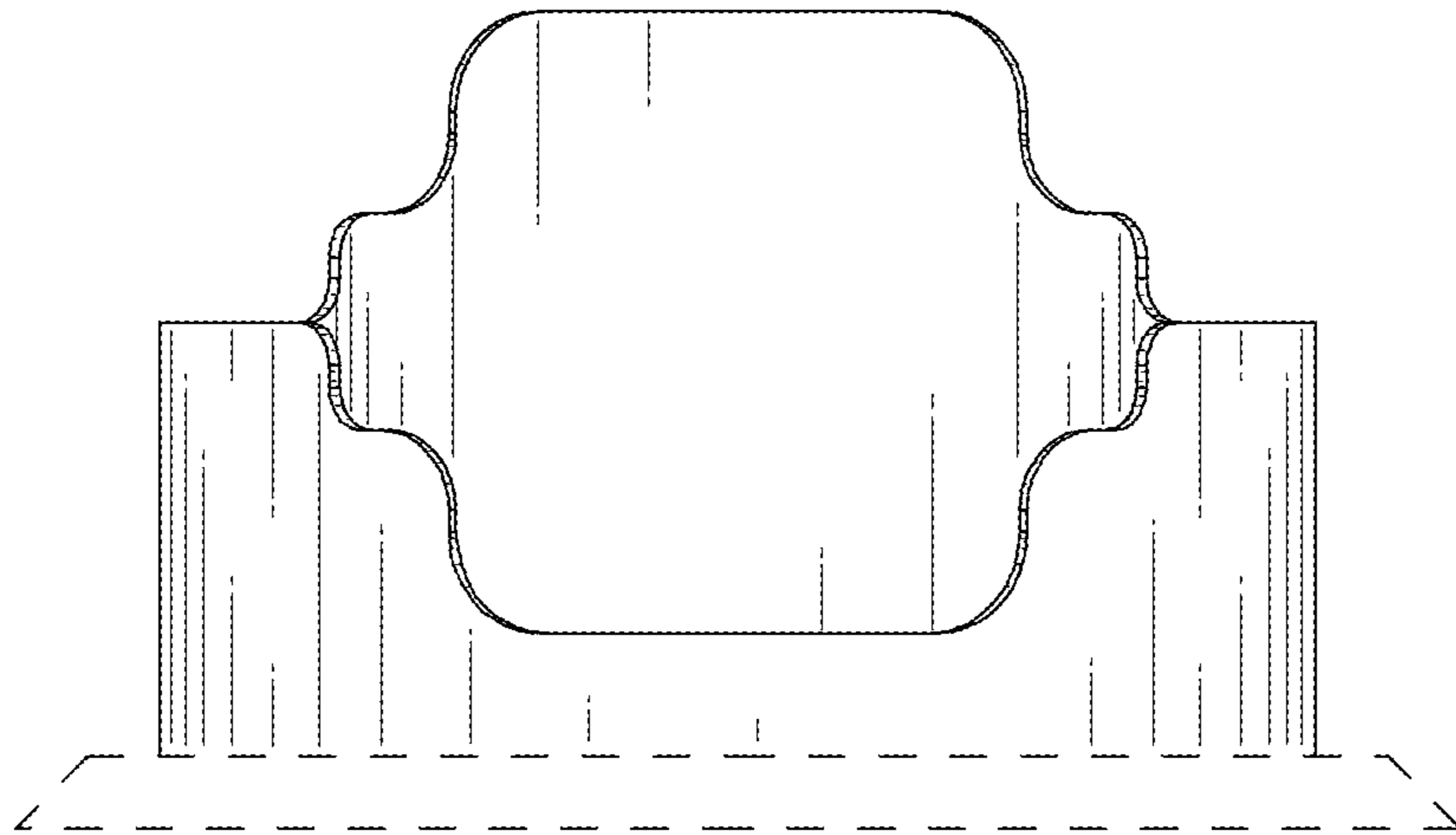


FIG. 7

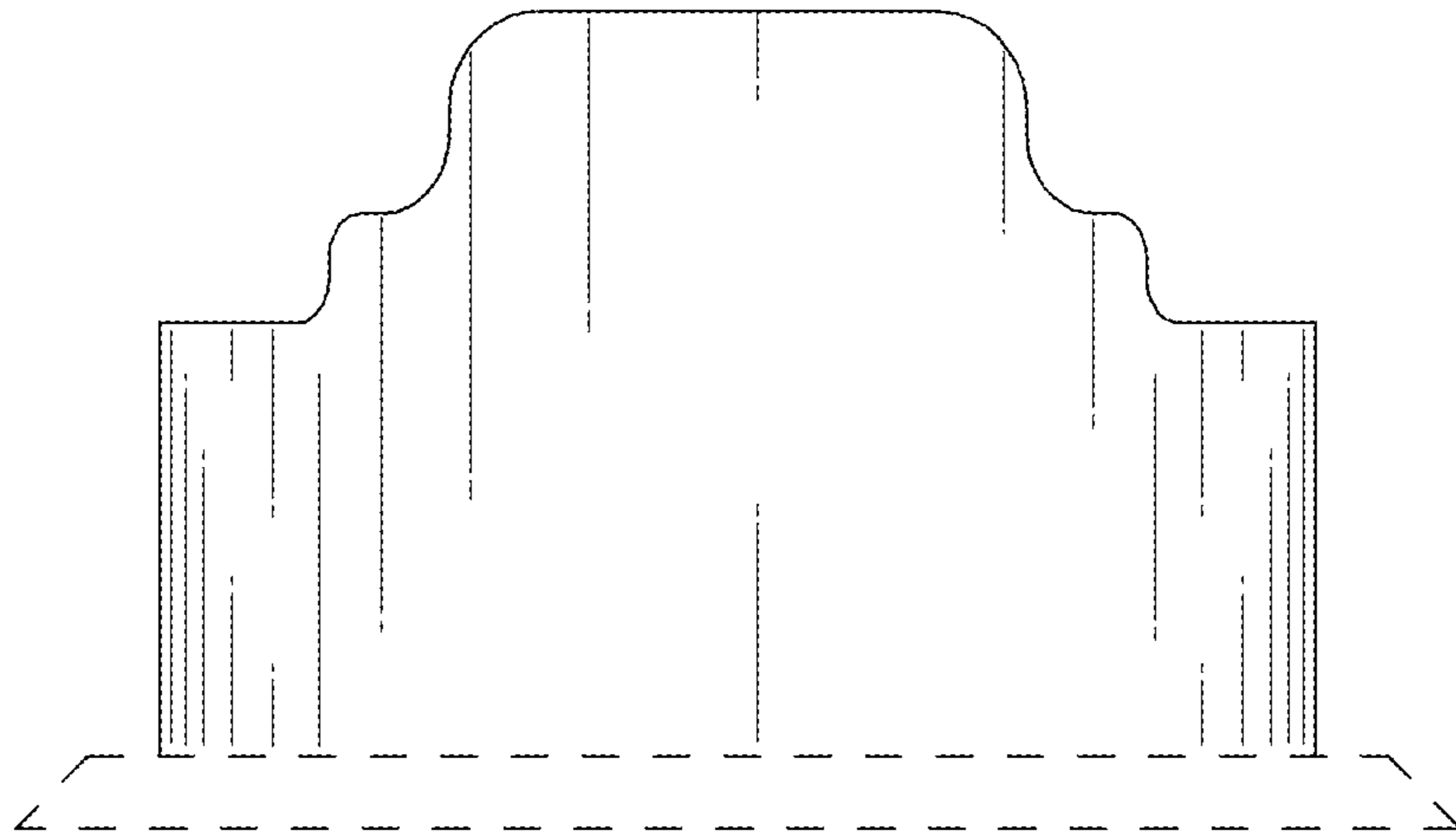


FIG. 8