



US00D979851S

(12) **United States Design Patent**
Dobson et al.

(10) **Patent No.:** **US D979,851 S**
(45) **Date of Patent:** **** Feb. 28, 2023**

(54) **RESCUE TUBE**

(71) Applicant: **Cleveland Reclaim Industries**, Lorain, OH (US)

(72) Inventors: **Dale Wayne Dobson**, Hodgenville, OH (US); **Donald M. Malec**, North Ridgeville, OH (US); **Matthew Svoboda**, North Ridgeville, OH (US)

(73) Assignee: **Cleveland Reclaim Industries**, Lorain, OH (US)

(**) Term: **15 Years**

(21) Appl. No.: **29/732,889**

(22) Filed: **Apr. 28, 2020**

(51) **LOC (14) Cl.** **02-99**

(52) **U.S. Cl.**
USPC **D29/124**

(58) **Field of Classification Search**
USPC D29/124; D12/128, 28; D24/190;
D19/113, 114; D20/21, 43; D9/433,
D9/442, 695, 711

(Continued)

(56) **References Cited**

U.S. PATENT DOCUMENTS

155,848 A 10/1874 Adams
228,002 A * 5/1880 Swope B65D 23/0842
229/89

(Continued)

OTHER PUBLICATIONS

Turtle Tube Grain Bin Rescue Sleeve—Gen 2 (on-line), no date available. Retrieved from Internet Oct. 4, 2022, URL: <https://www.wfrfire.com/shop/product/p-8160-turtle-tube-grain-bin-rescue-sleeve-gen-2-8160?category=109#attr=> (1 page).*

(Continued)

Primary Examiner — Kimberly Barnes

(74) *Attorney, Agent, or Firm* — Calfee, Halter & Griswold LLP

(57) **CLAIM**

We claim the ornamental design for a rescue tube, as shown and described.

DESCRIPTION

FIG. 1 is a front elevational view of a first embodiment of a rescue tube showing our new design laid flat (a rear view would be a mirror image thereof);

FIG. 2 is a top plan view thereof;

FIG. 3 is a left side elevational view thereof; and

FIG. 4 is a front/right/bottom perspective view thereof.

FIG. 5 is a front elevational view of a second embodiment of a rescue tube shown laid flat (a rear view would be a mirror image thereof);

FIG. 6 is a top plan view thereof;

FIG. 7 is a left side elevational view thereof; and

FIG. 8 is a front/right/bottom perspective view thereof.

FIG. 9 is a front elevational view of a third embodiment of a rescue tube shown laid flat (a rear view would be a mirror image thereof);

FIG. 10 is a top plan view thereof;

FIG. 11 is a left side elevational view thereof; and

FIG. 12 is a front/right/bottom perspective view thereof.

FIG. 13 is a front elevational view of the rescue tube in the first embodiment shown assembled in a position of use (a rear view would be a mirror image thereof);

FIG. 14 is a right side elevational view thereof;

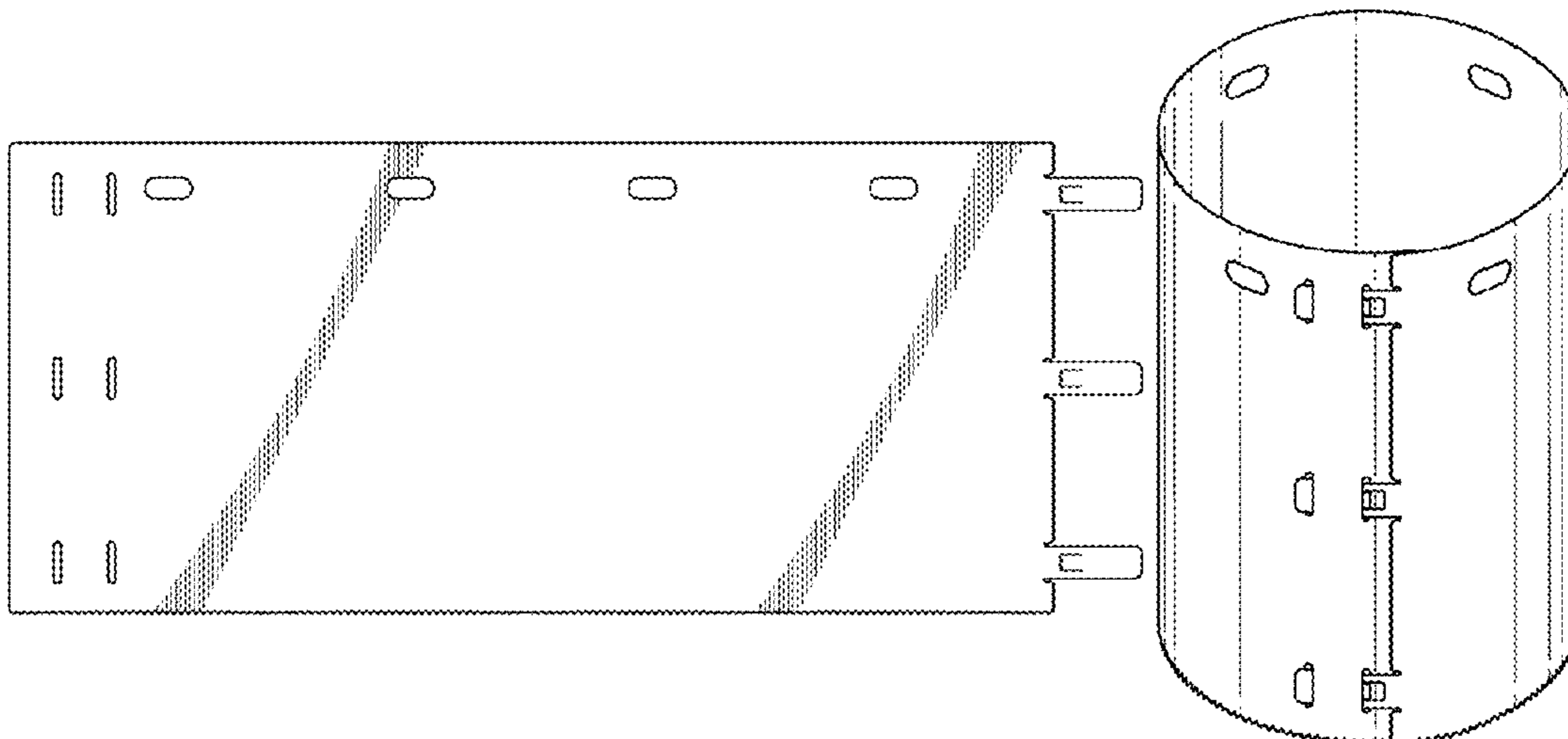
FIG. 15 is a top plan view thereof; and,

FIG. 16 is a right/top perspective view thereof.

The U-shaped features on the tab portions on the right side of the rescue tube, as illustrated, represent cut-through slits.

The dash-dot broken lines in the second embodiment represent the bounds of the claimed design, while all other broken lines in the second and third embodiments depict portions of the rescue tube that form no part of the claimed design.

1 Claim, 12 Drawing Sheets



US D979,851 S

(58) **Field of Classification Search**
 CPC A61G 1/01; A61G 1/013; A61G 7/1026;
 A61G 7/1051; A62B 3/00; A62B 33/00;
 A62B 99/00; B65D 3/00; B65D 3/04;
 B65D 35/56; B65D 59/04; B65D 61/02;
 B65D 65/06; B65D 65/24; B65D 75/06;
 G09F 2003/0251
 See application file for complete search history.

(56) **References Cited**

U.S. PATENT DOCUMENTS

283,837 A * 8/1883 Wallace A01G 13/0243
 428/101
 1,116,770 A 11/1914 Warne
 1,548,682 A * 8/1925 Gulin A01G 13/0243
 229/4.5
 1,705,895 A 3/1929 Blair
 1,879,950 A 9/1930 Read, Jr.
 1,975,510 A 10/1934 Hiatt
 2,059,906 A * 11/1936 Prestwich B65D 63/04
 24/20 EE
 2,140,932 A * 12/1938 Avery A01G 9/026
 47/75
 2,156,583 A 5/1939 Chaplin
 2,220,913 A 11/1940 Ringler
 2,717,463 A * 9/1955 Sindler A47J 43/27
 40/658
 2,821,761 A 2/1958 Meyers
 2,939,614 A 6/1960 Hill
 3,208,478 A * 9/1965 Baines F16L 9/22
 229/93
 3,305,161 A * 2/1967 Offer B01D 29/21
 229/93
 3,358,692 A * 12/1967 Proulx B42F 17/02
 220/529
 3,577,695 A 5/1971 Huybers
 3,983,914 A 10/1976 Benson
 4,023,374 A 5/1977 Colbert
 4,067,079 A * 1/1978 Buchman A61G 1/01
 5/81.1 R
 4,457,483 A 7/1984 Gagne
 4,628,007 A 12/1986 Ledsham
 D318,345 S * 7/1991 Holmstrom D29/108
 5,056,679 A 10/1991 Lonczak
 5,102,036 A * 4/1992 Orr B65D 59/04
 229/89
 D329,216 S 9/1992 Beeley
 D332,930 S * 2/1993 Clark D12/132
 5,226,554 A 7/1993 Dauphinais
 5,230,246 A 7/1993 Oetiker
 D338,046 S * 8/1993 Fisscher D21/403
 5,372,269 A 12/1994 Sutton
 5,400,989 A 3/1995 Gaskill
 5,568,662 A 10/1996 Gougelet
 D387,170 S * 12/1997 Schuster D24/190
 5,713,107 A 2/1998 Jan
 5,730,352 A * 3/1998 Deekes B65D 59/06
 229/125.17
 D409,057 S * 5/1999 Wagner D8/1
 5,915,768 A 6/1999 Young
 5,984,963 A * 11/1999 Ryan A61F 2/93
 606/198
 D417,616 S * 12/1999 Conway D9/414
 D421,413 S * 3/2000 Calkin B62B 13/16
 D12/128

6,062,342 A 5/2000 Dobson
 6,223,928 B1 5/2001 Sheran
 6,340,037 B1 1/2002 Stafford
 6,401,952 B1 * 6/2002 Ming A45C 7/00
 220/4.28
 6,490,764 B1 * 12/2002 Bell A44B 11/2561
 24/633
 6,588,144 B1 * 7/2003 Staggs A01G 13/0243
 47/30
 D488,107 S 4/2004 Saunier
 6,718,733 B2 * 4/2004 Kilmartin B65D 23/0871
 53/49
 D506,710 S 6/2005 Hurtado
 6,953,213 B2 10/2005 Yardley
 7,093,867 B2 8/2006 Yardley
 7,547,024 B1 6/2009 Dell
 7,810,820 B2 10/2010 Wolf
 D639,519 S * 6/2011 Gomez D34/6
 8,066,163 B2 11/2011 Newcomb
 8,240,633 B2 8/2012 Penza
 D675,107 S * 1/2013 Vulgamott D9/711
 8,365,326 B2 2/2013 Kenalty
 8,528,137 B2 9/2013 Johnson
 8,661,578 B2 3/2014 Judge
 8,887,327 B2 * 11/2014 Davis, Jr. A61G 7/1026
 5/81.1 HS
 D719,881 S 12/2014 Smart
 D720,894 S 1/2015 Calkin
 8,966,830 B2 3/2015 Trenkler
 9,016,557 B2 * 4/2015 Wisecarver B65D 5/445
 229/199
 9,056,715 B2 6/2015 Muse
 9,173,791 B2 11/2015 Jensen
 D746,386 S 12/2015 Mahoney
 D774,653 S * 12/2016 Christmas D12/128
 D779,675 S * 2/2017 Chapman D24/188
 D809,210 S 1/2018 Dobson
 D830,560 S * 10/2018 Christmas D12/128
 10,215,182 B2 2/2019 Wenger
 10,639,218 B2 5/2020 Wong
 11,058,592 B2 * 7/2021 Saxon A61G 1/0231
 D940,242 S * 1/2022 Wu D20/43
 11,267,602 B2 * 3/2022 Willis B65B 67/1205
 2001/0049230 A1 * 12/2001 Stickney H01R 13/6582
 439/607.17
 2004/0234567 A1 * 11/2004 Dawson A01N 25/20
 424/405
 2010/0243650 A1 9/2010 Manley
 2012/0305333 A1 12/2012 Coulthard
 2013/0048426 A1 2/2013 Ekdahl
 2014/0026892 A1 * 1/2014 Drake A61G 13/124
 128/845
 2015/0216745 A1 * 8/2015 Christmas B32B 37/12
 156/247
 2017/0194553 A1 7/2017 Ifju
 2017/0354554 A1 12/2017 Wearley
 2018/0271723 A1 9/2018 Adkins
 2018/0272160 A1 9/2018 Wielgat
 2020/0359575 A1 * 11/2020 Wilson A01G 13/0243
 2021/0236864 A1 8/2021 Dobson

OTHER PUBLICATIONS

This case is related to copending U.S. Appl. No. 16/860,699, filed Apr. 28, 2020.

* cited by examiner

FIG. 1

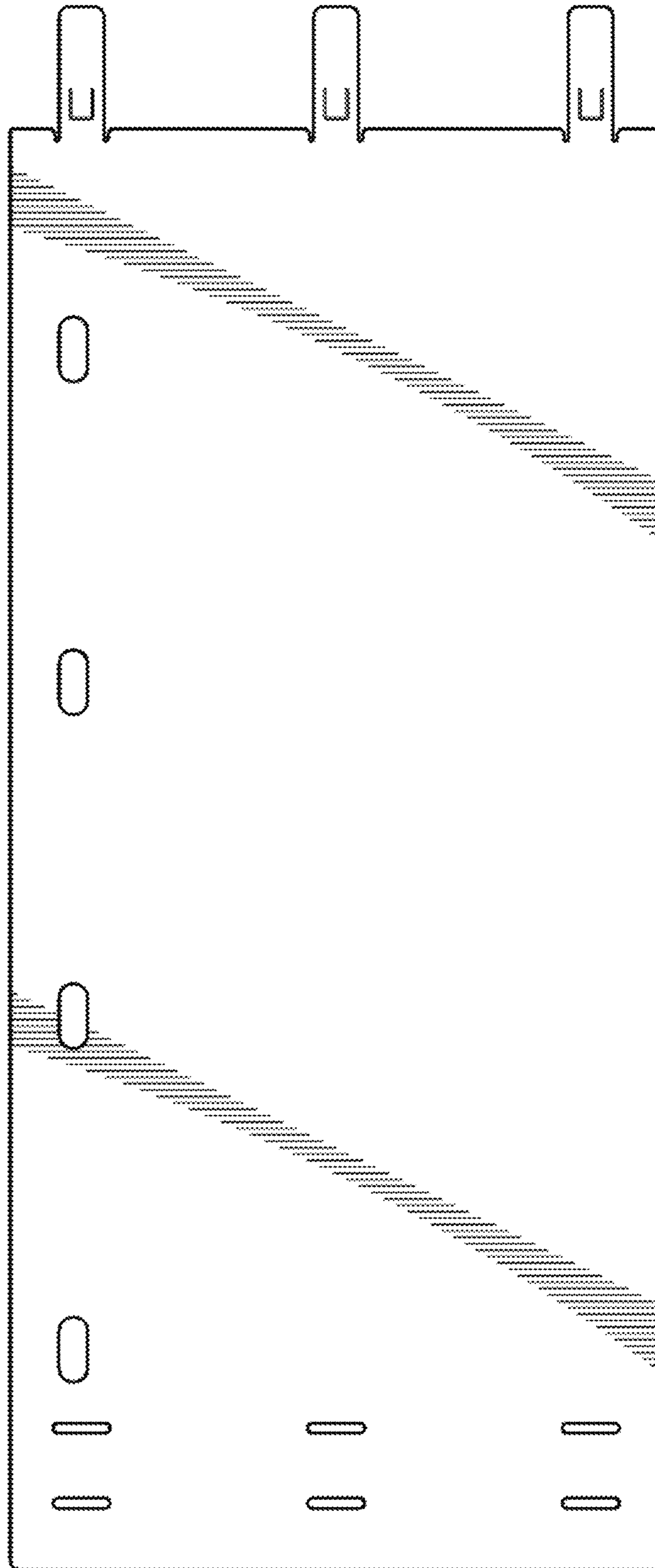


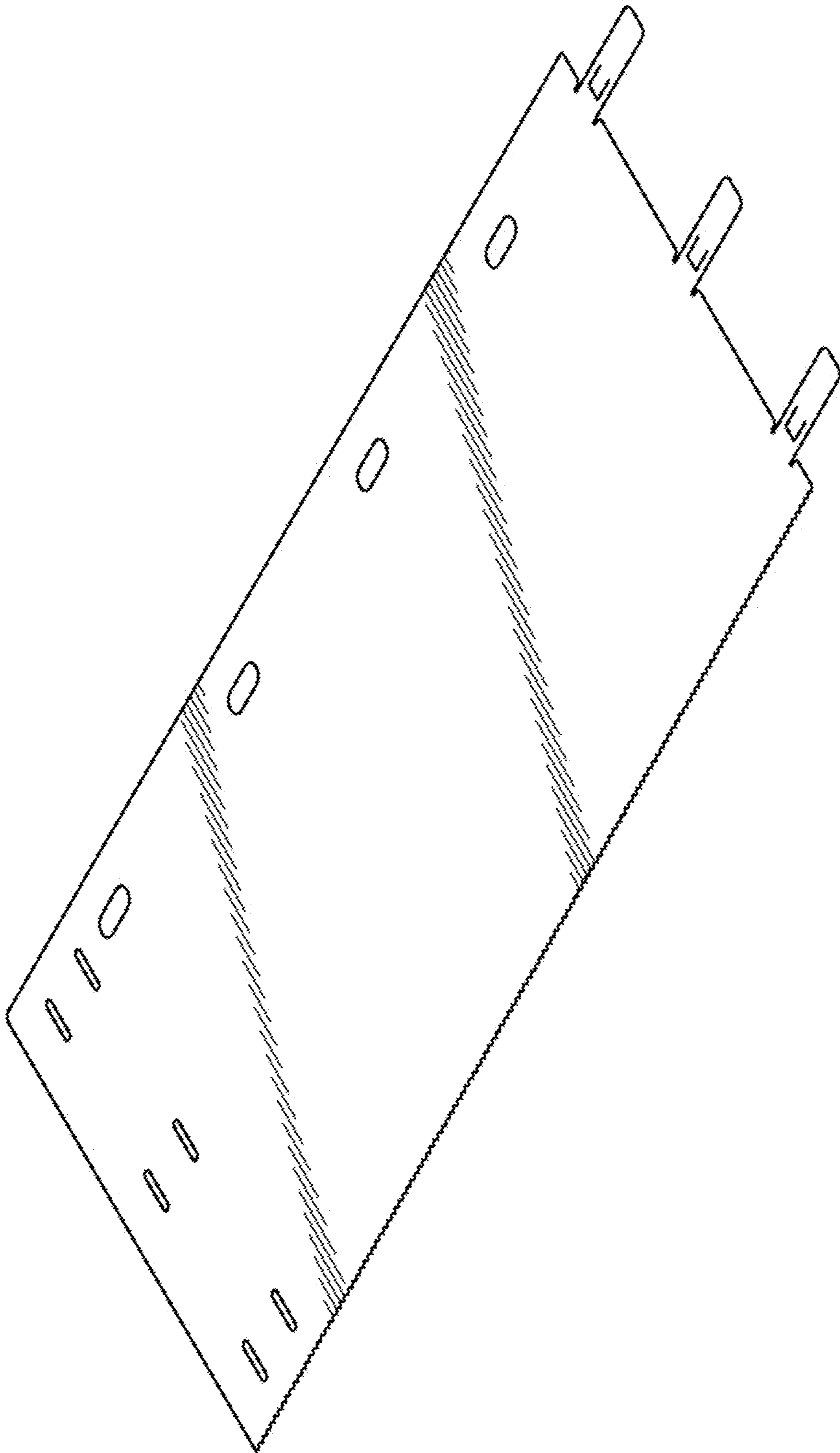
FIG. 2



FIG. 3



FIG. 4



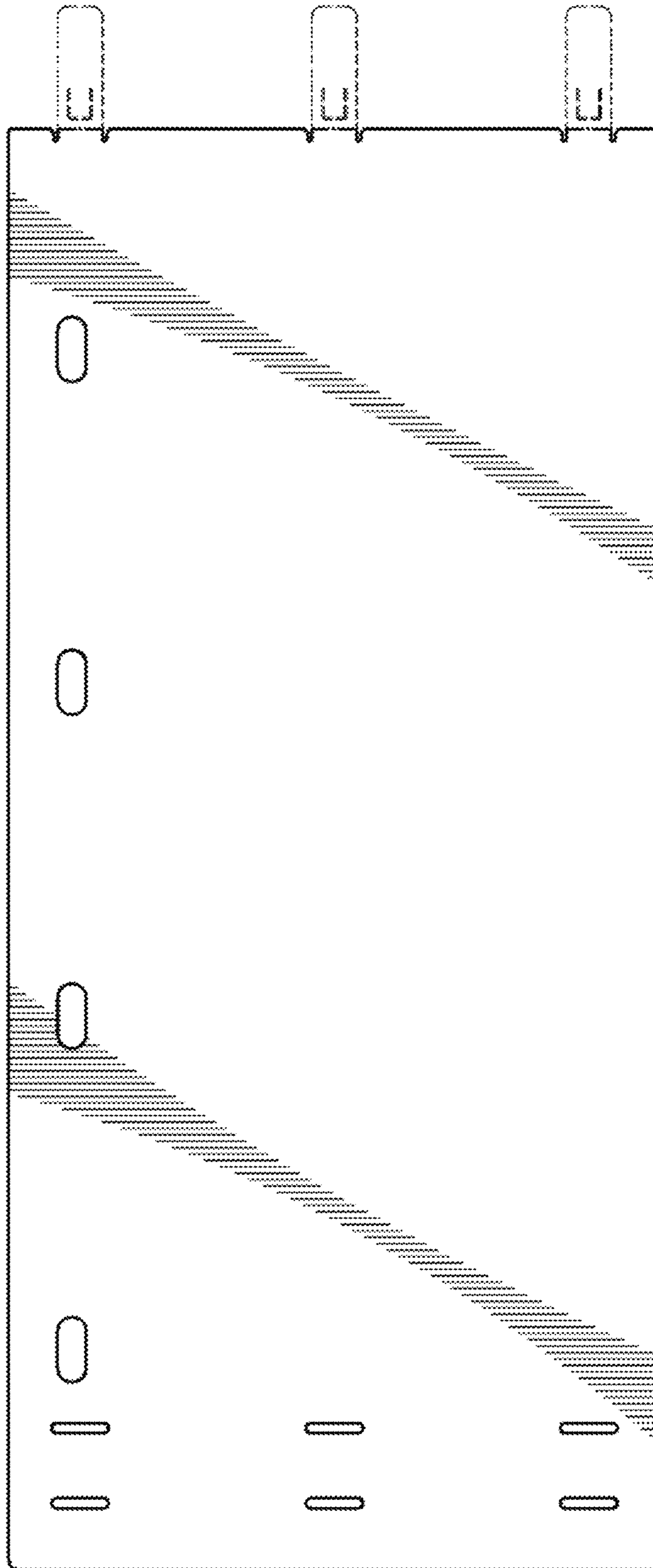


FIG. 5

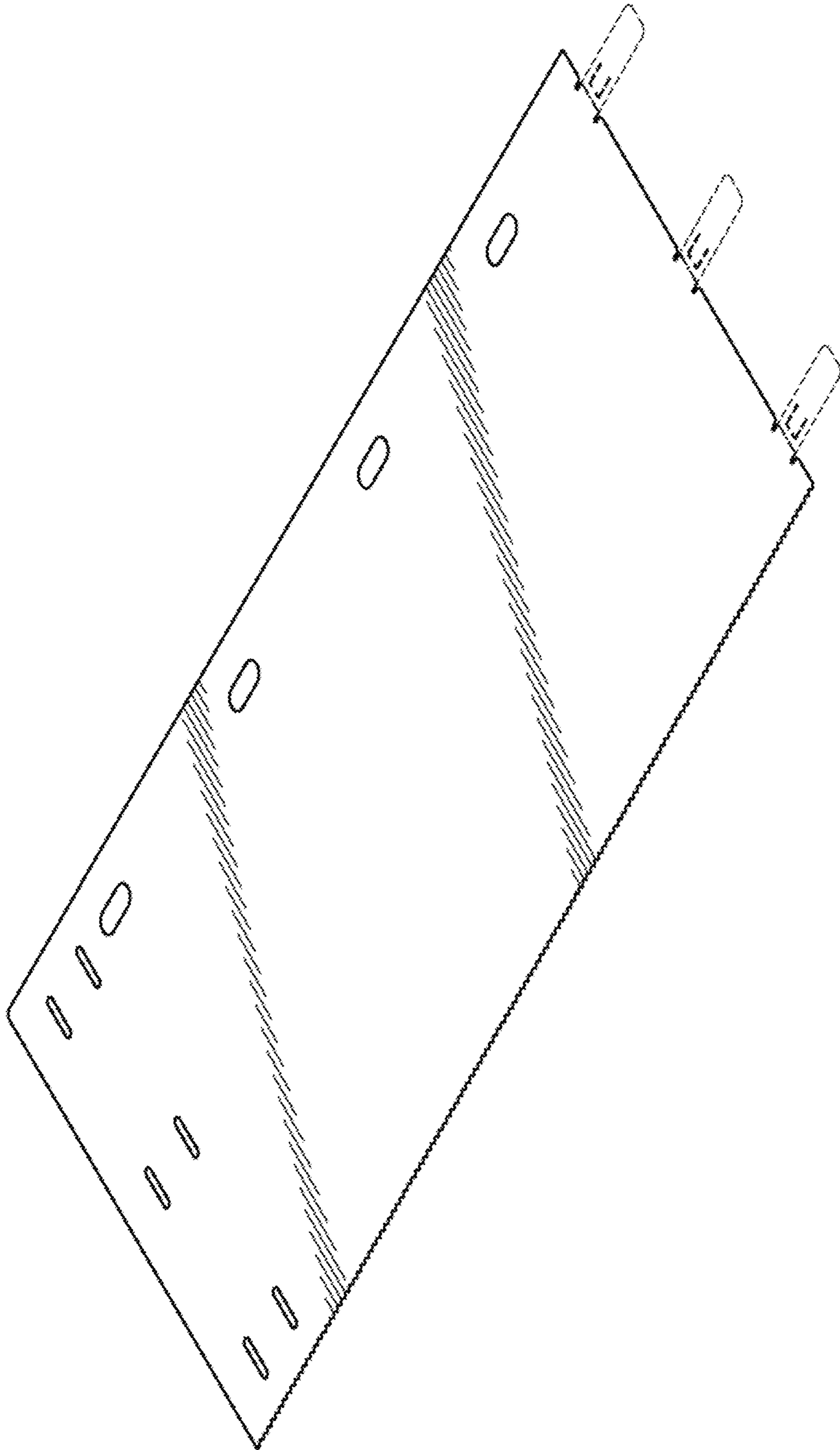
FIG. 6



FIG. 7



FIG. 8



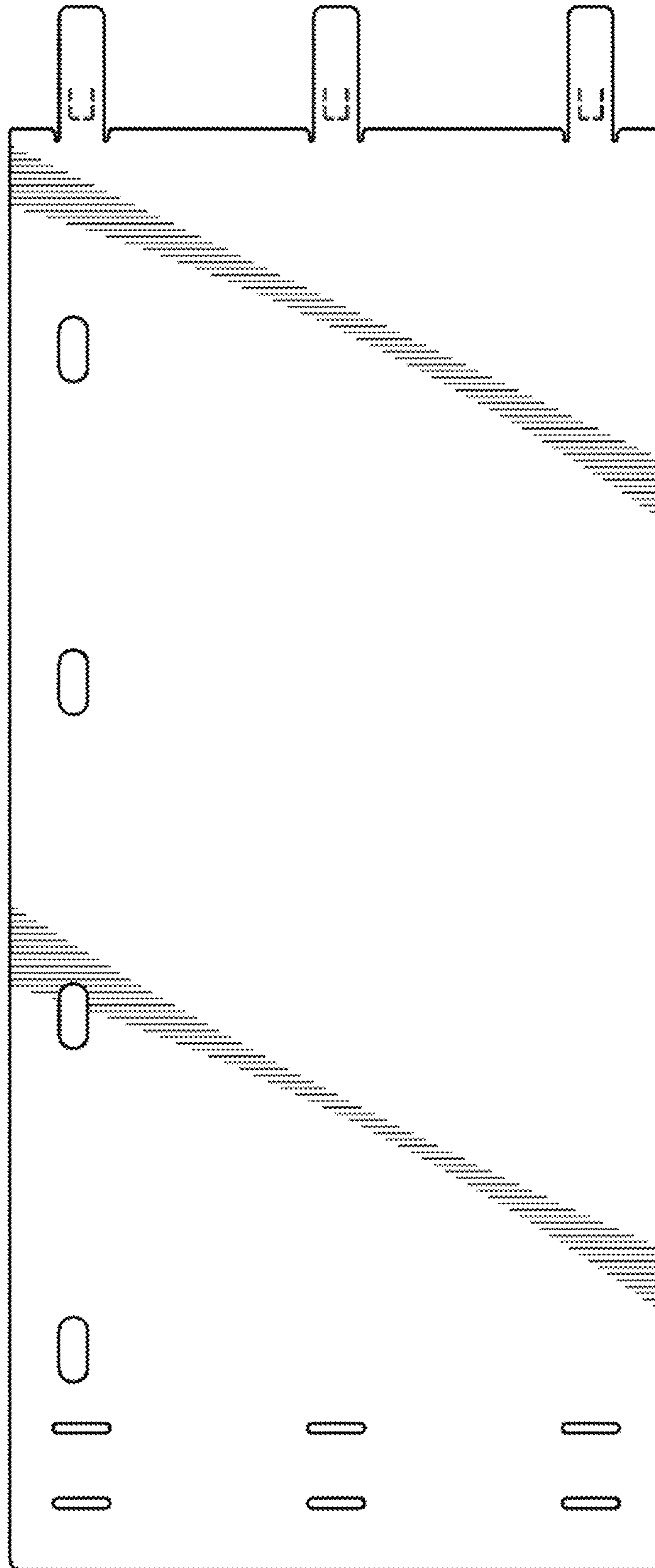


FIG. 9

FIG. 10



FIG. 11



FIG. 12

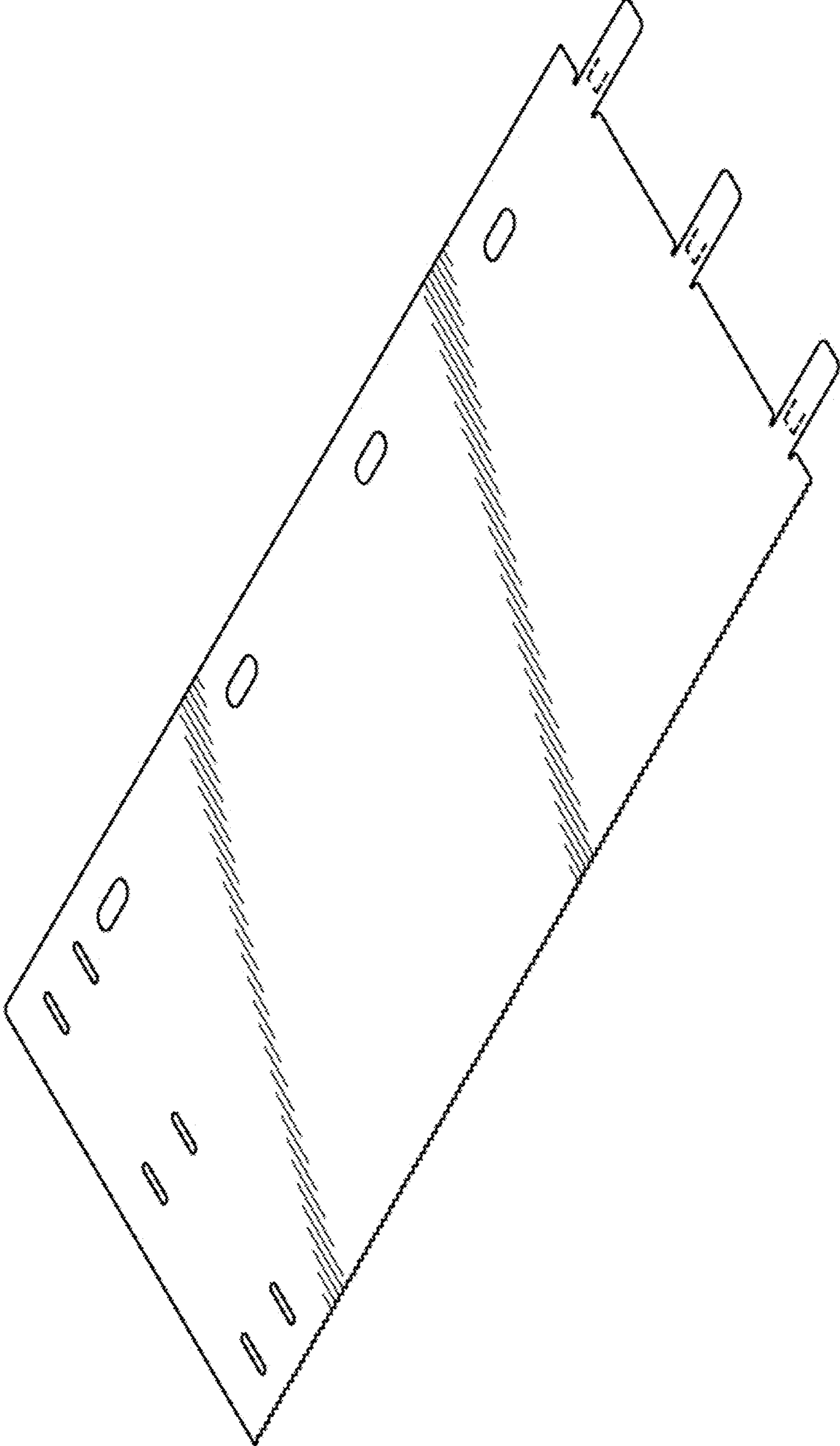


FIG. 14

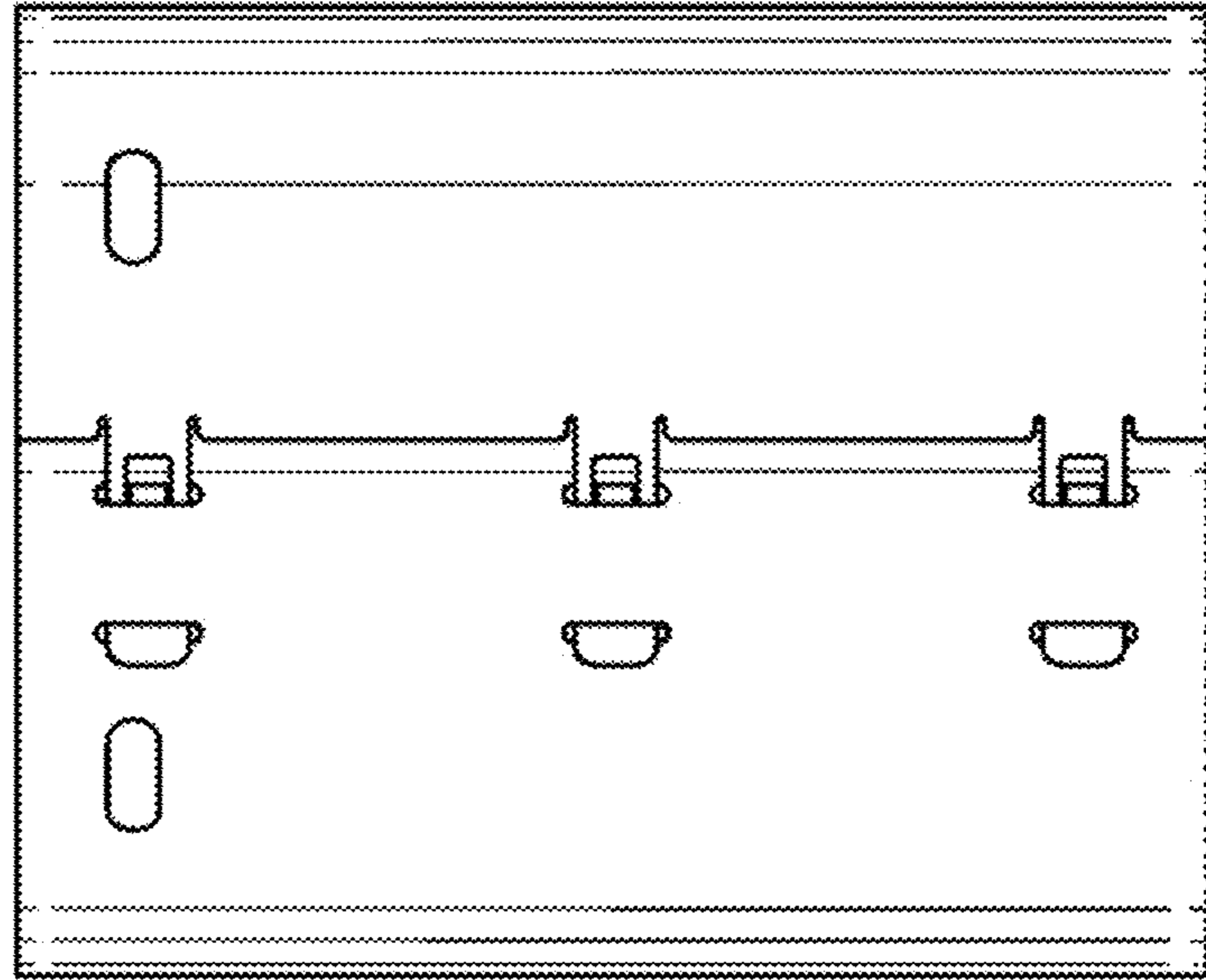


FIG. 13

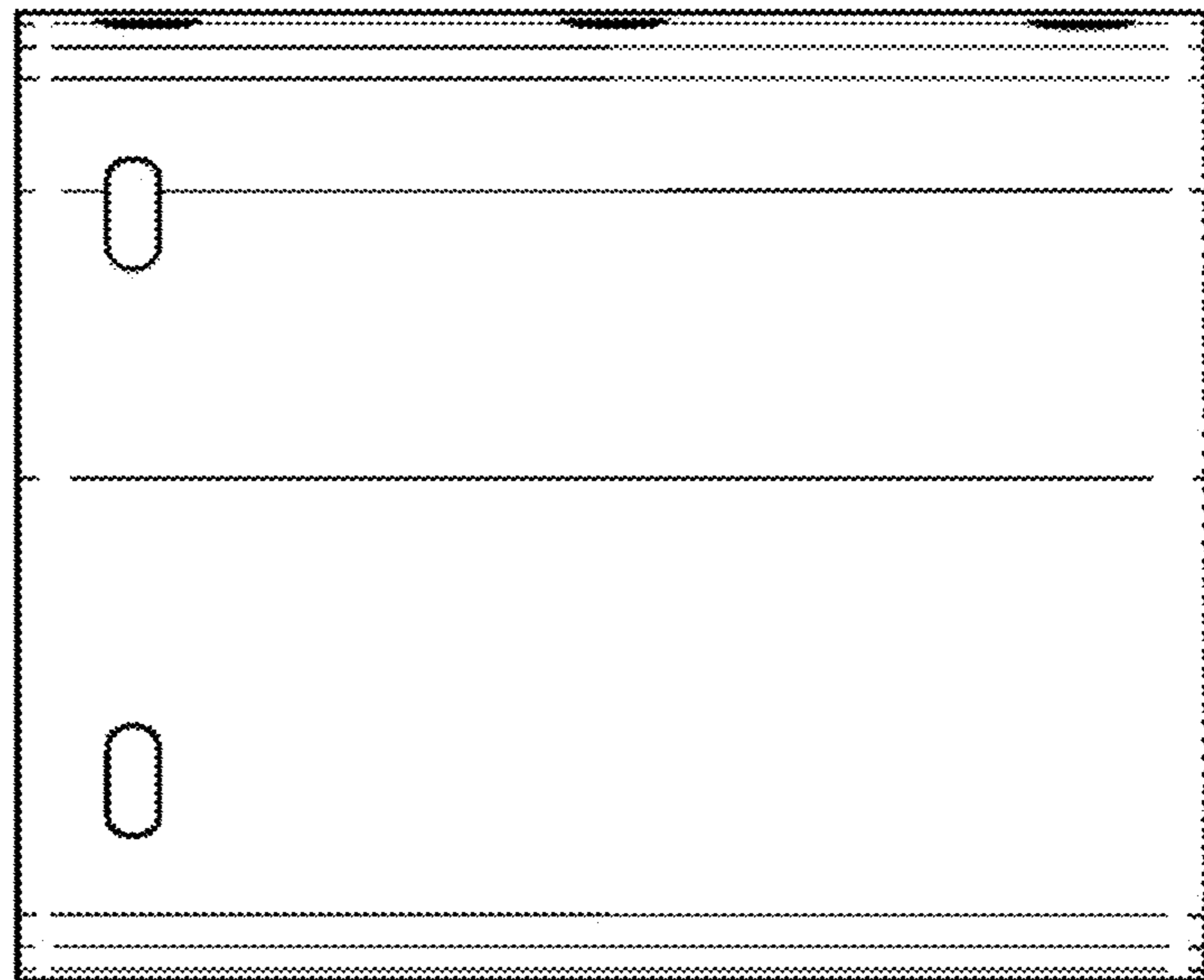


FIG. 15

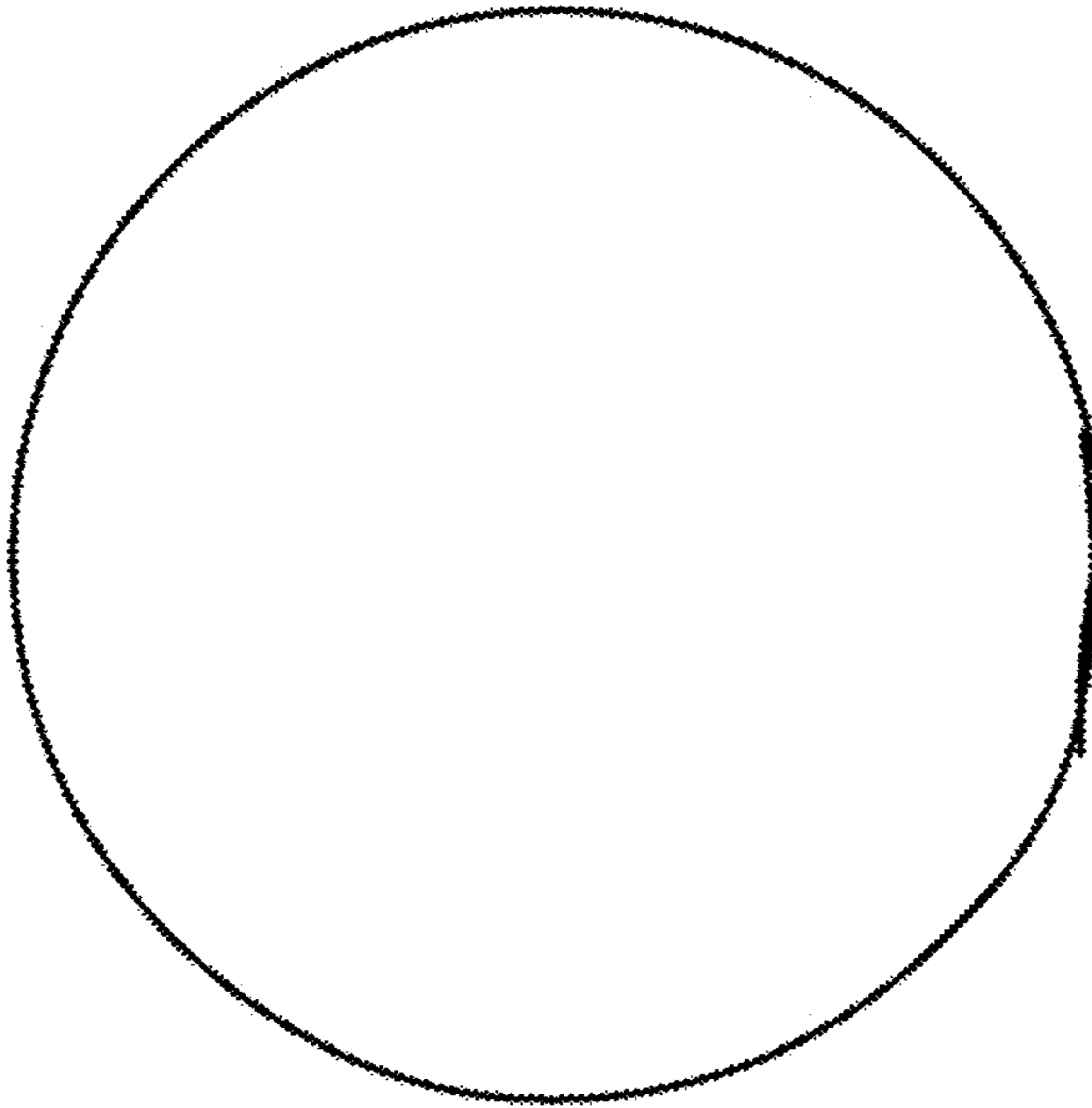


FIG. 16

