



US00D979847S

(12) **United States Design Patent** (10) **Patent No.:** **US D979,847 S**
Feijoo et al. (45) **Date of Patent:** **** Feb. 28, 2023**

(54) **ERGONOMIC GRIP FOR A PRODUCT APPLICATOR**

(74) *Attorney, Agent, or Firm* — Schwegman Lundberg & Woessner, P.A.

(71) Applicant: **Coty Inc.**, New York, NY (US)

(57) **CLAIM**

(72) Inventors: **Ismael V. Feijoo**, Amsterdam (NL); **Andrew Gregory Spitz**, Amsterdam (NL); **Ruben van der Vleuten**, Amsterdam (NL)

The ornamental design for an ergonomic grip for a product applicator, as shown and described.

(73) Assignee: **COTY, INC.**, New York, NY (US)

DESCRIPTION

(**) Term: **15 Years**

FIG. 1 is a top-rear perspective view of a product applicator, showing our new design, according to a first embodiment thereof.

(21) Appl. No.: **29/651,948**

FIG. 2 is a left side view thereof.

(22) Filed: **Mar. 11, 2020**

FIG. 3 is a right side view thereof.

Related U.S. Application Data

(63) Continuation of application No. 29/691,475, filed on May 16, 2019, now Pat. No. Des. 930,238.

FIG. 4 is a front view thereof.

(51) **LOC (14) Cl.** **28-03**

FIG. 5 is a back view thereof.

(52) **U.S. Cl.**
USPC **D28/99**

FIG. 6 is a top view thereof.

(58) **Field of Classification Search**
USPC D28/7, 8, 76, 85, 99; D32/40-45; D24/133

FIG. 7 is a bottom view thereof.

(Continued)

FIG. 8 is a bottom-rear perspective view thereof.

(56) **References Cited**

U.S. PATENT DOCUMENTS

D214,608 S 7/1969 Howell et al.
D238,212 S 12/1975 Kingsford

FIG. 9 is a bottom-rear-right perspective view thereof.

(Continued)

FIG. 10 is another bottom-rear-right perspective view thereof.

OTHER PUBLICATIONS

U.S. Appl. No. 29/691,475, filed May 16, 2019 Product Applicator.
(Continued)

FIG. 11 is a bottom-rear-left perspective view thereof.

Primary Examiner — Zenia I Bennett

FIG. 12 is an enlarged view of a portion of the product applicator shown in FIG. 1, showing surface texture details thereof.

(Continued)

FIG. 13 is an enlarged view of a portion of the product applicator shown in FIG. 2, showing surface texture details thereof.

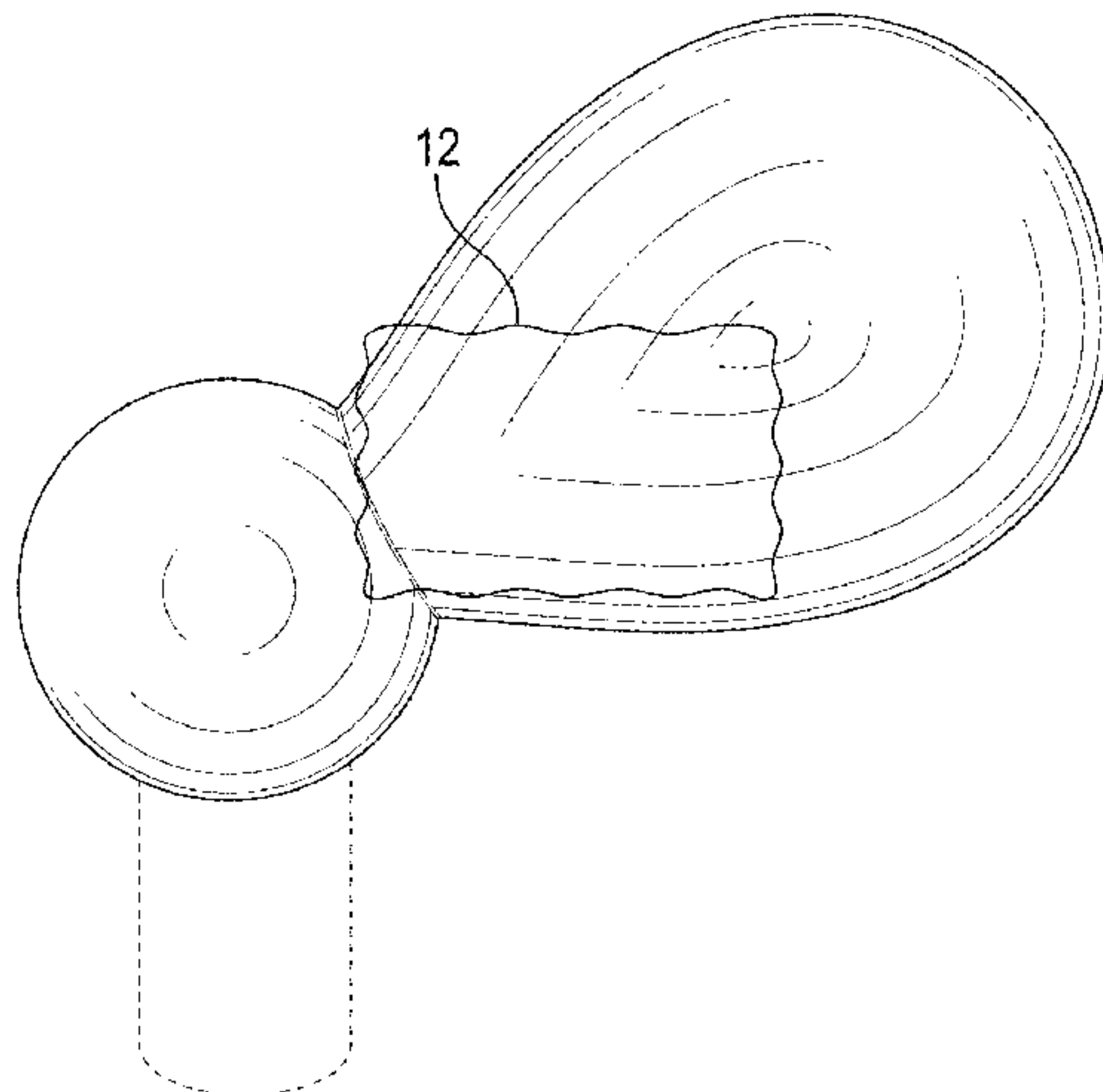


FIG. 14 is an enlarged view of a portion of the product applicator shown in FIG. 3, showing surface texture details thereof.

FIG. 15 is an enlarged view of a portion of the product applicator shown in FIG. 4, showing surface texture details thereof.

FIG. 16 is an enlarged view of a portion of the product applicator shown in FIG. 5, showing surface texture details thereof.

FIG. 17 is an enlarged view of a portion of the product applicator shown in FIG. 6, showing surface texture details thereof.

FIG. 18 is an enlarged view of a portion of the product applicator shown in FIG. 7, showing surface texture details thereof.

FIG. 19 is an enlarged view of a portion of the product applicator shown in FIG. 8, showing surface texture details thereof.

FIG. 20 is an enlarged view of a portion of the product applicator shown in FIG. 9, showing surface texture details thereof.

FIG. 21 is an enlarged view of a portion of the product applicator shown in FIG. 10, showing surface texture details thereof; and,

FIG. 22 is an enlarged view of a portion of the product applicator shown in FIG. 11, showing surface texture details thereof.

The shade lines show surface contour and not surface ornamentation.

The broken line showing of a circular element in the bottom face of the ergonomic grip for a product applicator is for the purpose illustrating an unclaimed portion of the ergonomic grip for a product applicator, and the broken line showings of boundaries of enlarged portions of the ergonomic grip for a product application are for the purpose of illustrating unclaimed edges of such portions. The broken lines form no part of the claimed design.

1 Claim, 12 Drawing Sheets

(58) **Field of Classification Search**

CPC A45D 2200/10; A45D 2200/1009; A45D 2200/1018; A61B 2017/00734
See application file for complete search history.

(56) **References Cited**

U.S. PATENT DOCUMENTS

D246,755 S * 12/1977 Root D8/77
D252,911 S 9/1979 Levy

D256,876 S * 9/1980 Slagle, IV D7/682
D299,972 S 2/1989 Moore
D334,127 S * 3/1993 Nellis D8/77
5,265,871 A * 11/1993 Hanley B25D 1/02
81/20
D373,197 S * 8/1996 Schepper D24/214
D378,026 S 2/1997 Balazs
D418,246 S 12/1999 Turri
D422,748 S 4/2000 Lang
D429,847 S 8/2000 Lang
D445,232 S 7/2001 Price
D468,829 S * 1/2003 Chen D24/214
D532,671 S 11/2006 Skillas
D562,100 S * 2/2008 Kamradt D8/77
D654,217 S 2/2012 Brodish
D661,964 S 6/2012 Pangbom
D681,810 S 5/2013 Decarlo
D703,270 S 4/2014 Dyer
D837,545 S 1/2019 Jahns
D850,196 S 6/2019 Rickstrew
D854,744 S 7/2019 Tanaka
D889,745 S 7/2020 Langdon et al.

OTHER PUBLICATIONS

“U.S. Appl. No. 29/691,475, Restriction Requirement dated Oct. 6, 2020”, 5 pgs.

“U.S. Appl. No. 29/691,475, Response filed Feb. 1, 2020 to Restriction Requirement dated Oct. 6, 2020”, 5 pgs.

“U.S. Appl. No. 29/691,475, Notice of Allowance dated May 4, 2021”, 7 pgs.

“The Ring Grip”, Grace Beauty (gracebeautyforall)—Instagram photos and videos, [Online] Retrieved from the Internet: <URL: <https://www.instagram.com/p/Bu8rwmBgE4q/>>, (Mar. 13, 2019), 1 pg.

“The Safe Grip”, Grace Beauty (gracebeautyforall)—Instagram photos and videos, [Online] Retrieved from the Internet: <URL: <https://www.instagram.com/p/Bu-2XliA4Eh/>>, (Mar. 14, 2019), 1 pg.

“The Square Grip”, Grace Beauty (gracebeautyforall)—Instagram photos and videos, [Online] Retrieved from the Internet: <URL: <https://www.instagram.com/p/Bu-8XFdgZR0/>>, (Mar. 14, 2019), 1 pg.

* cited by examiner

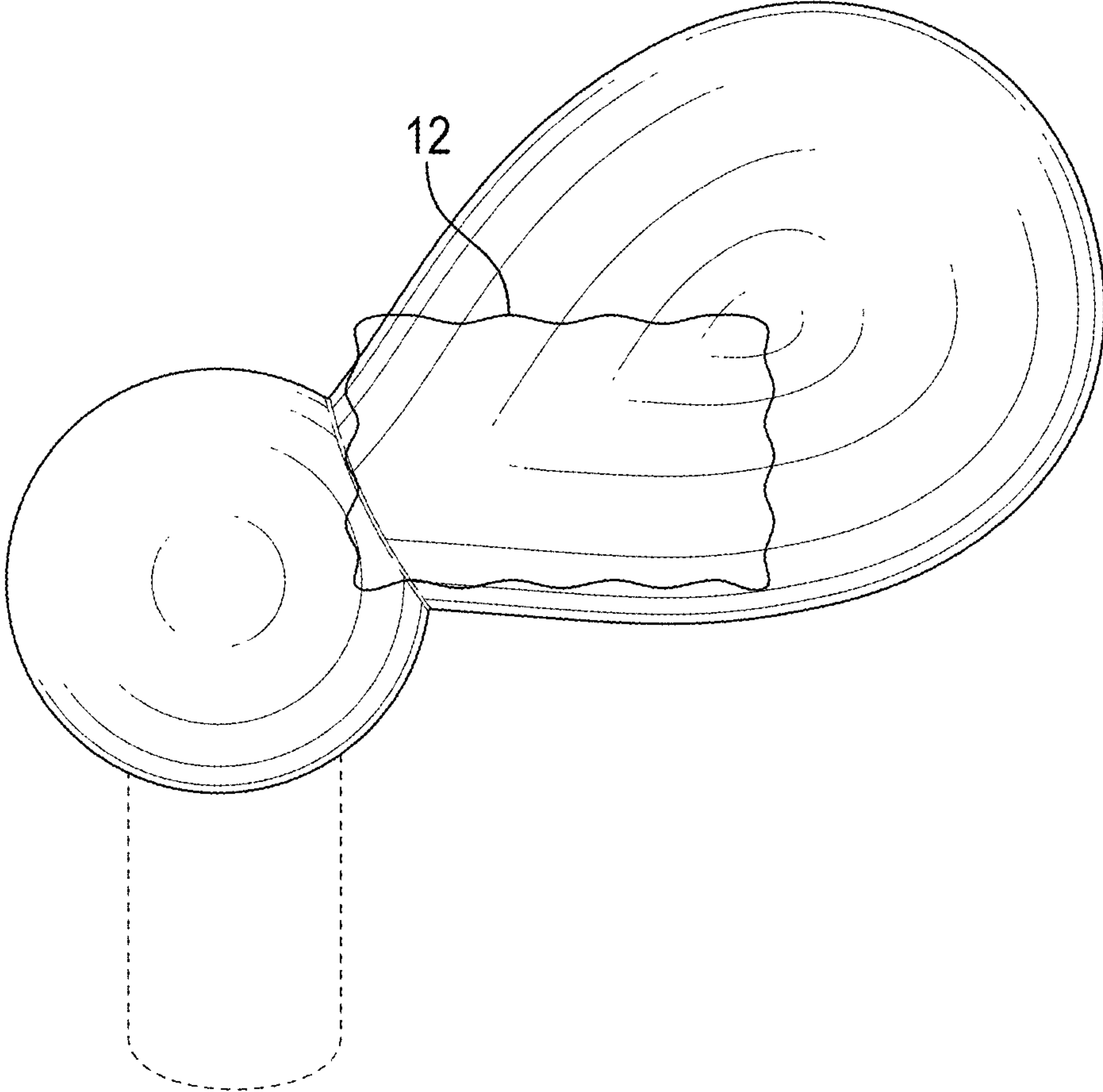


FIG. 1

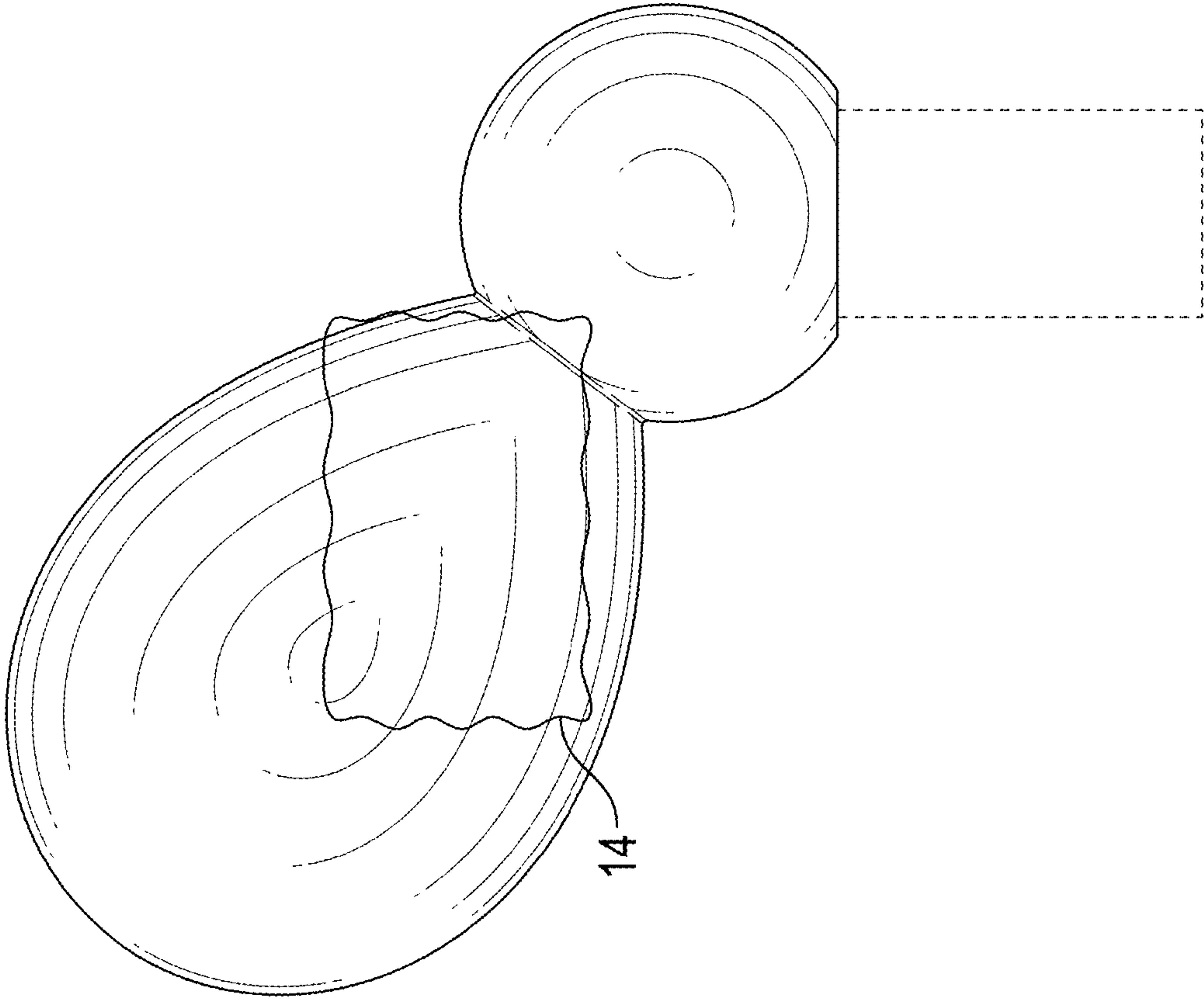


FIG. 2

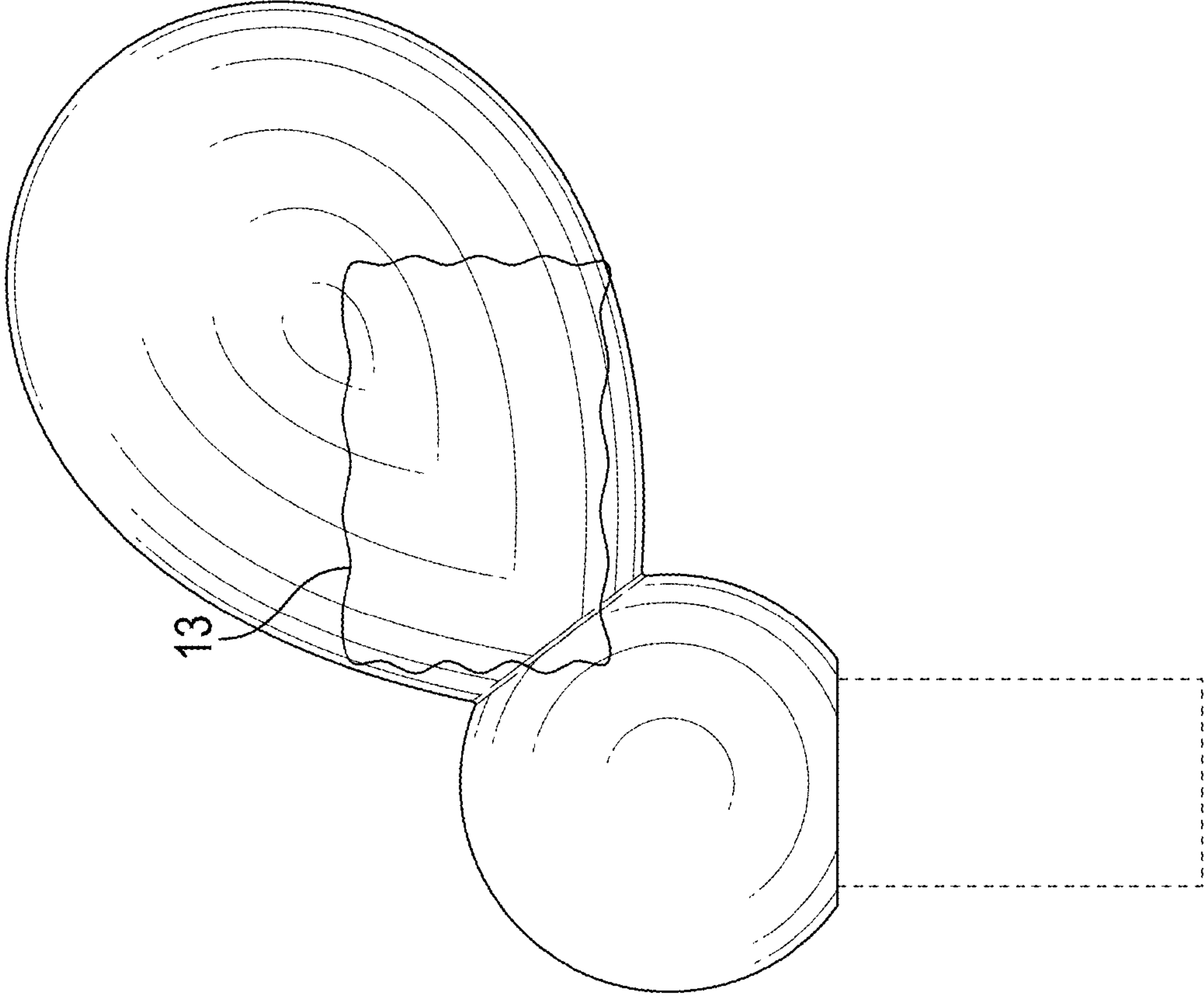


FIG. 3

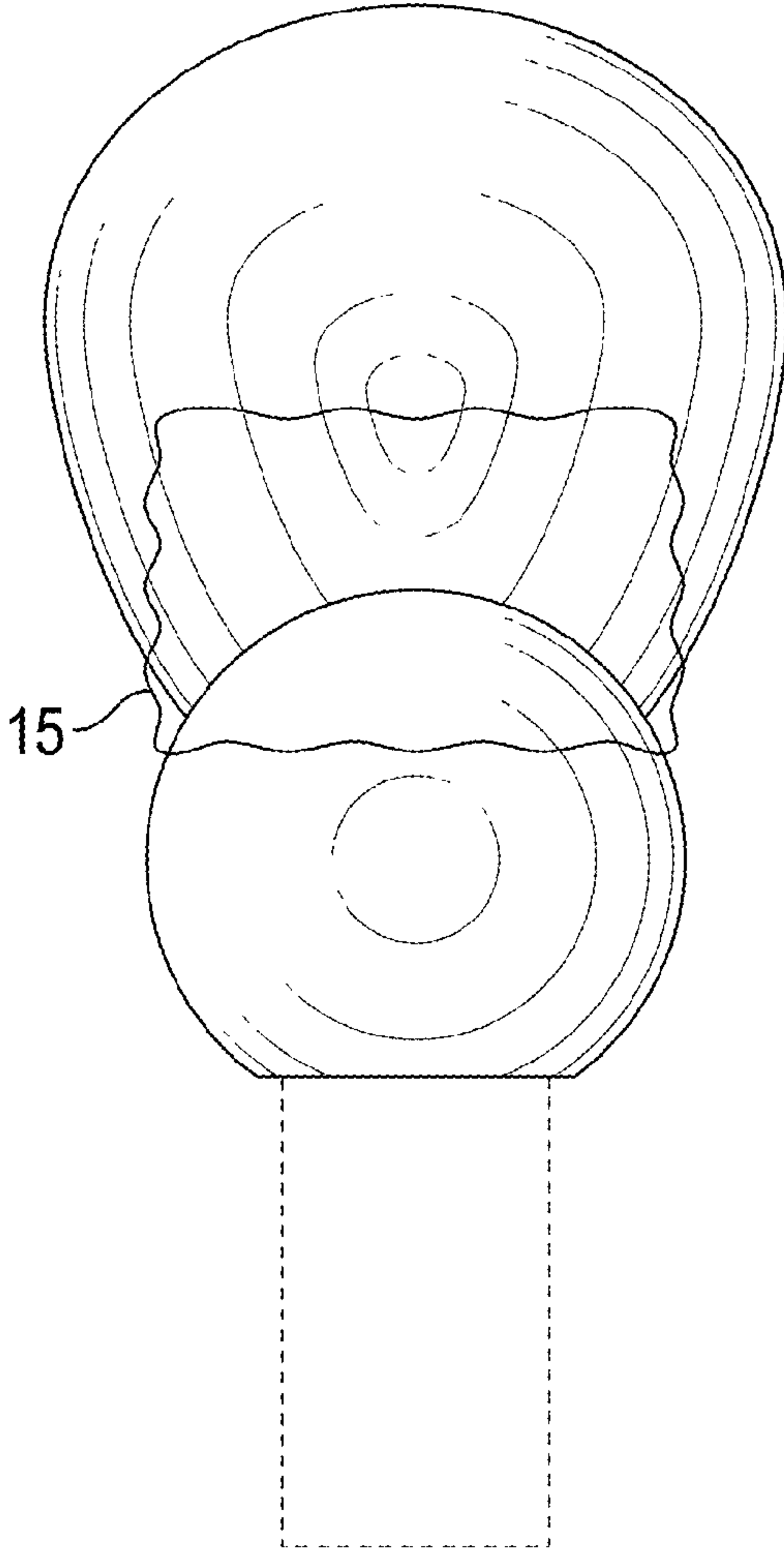


FIG. 4

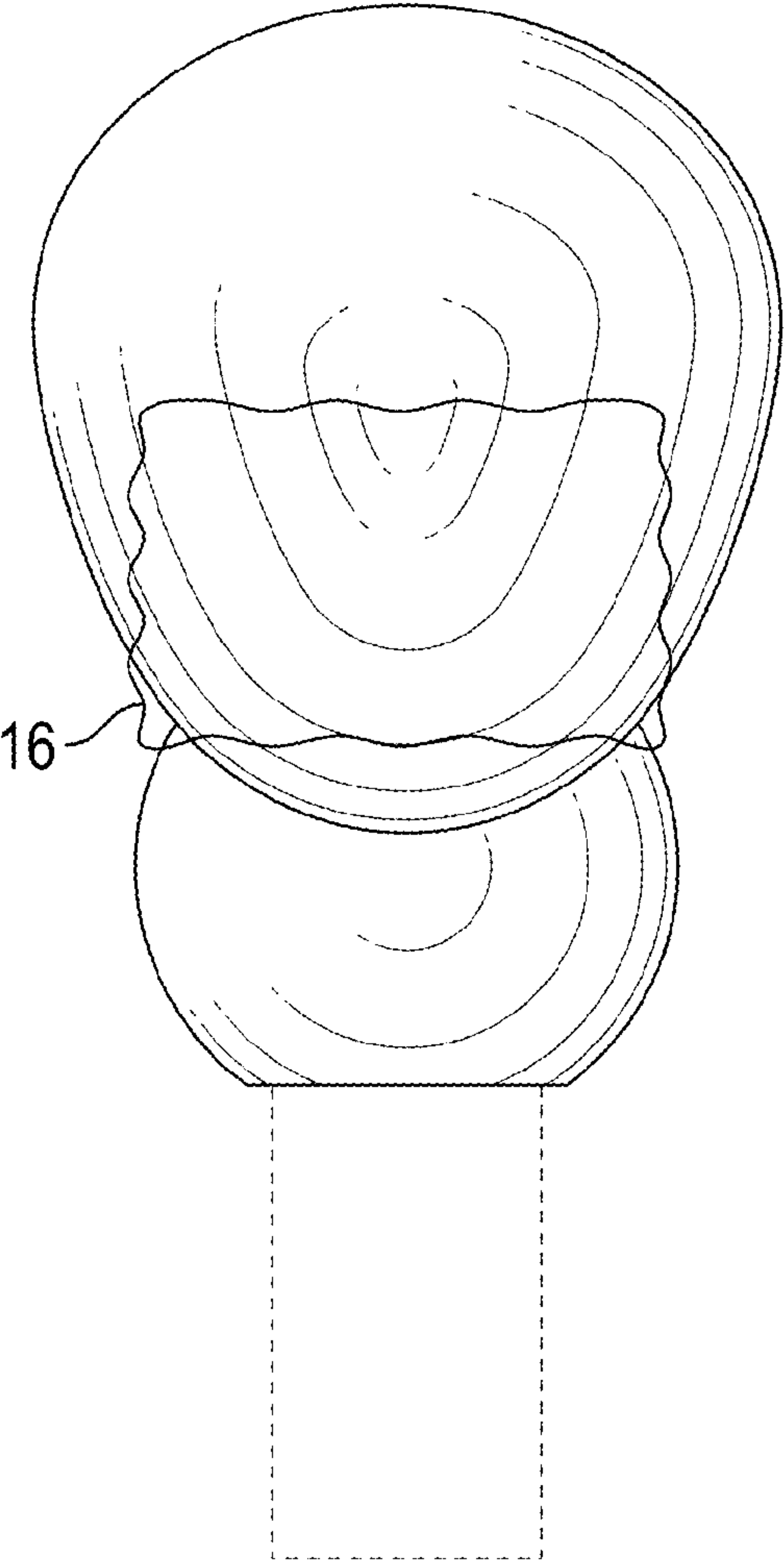


FIG. 5

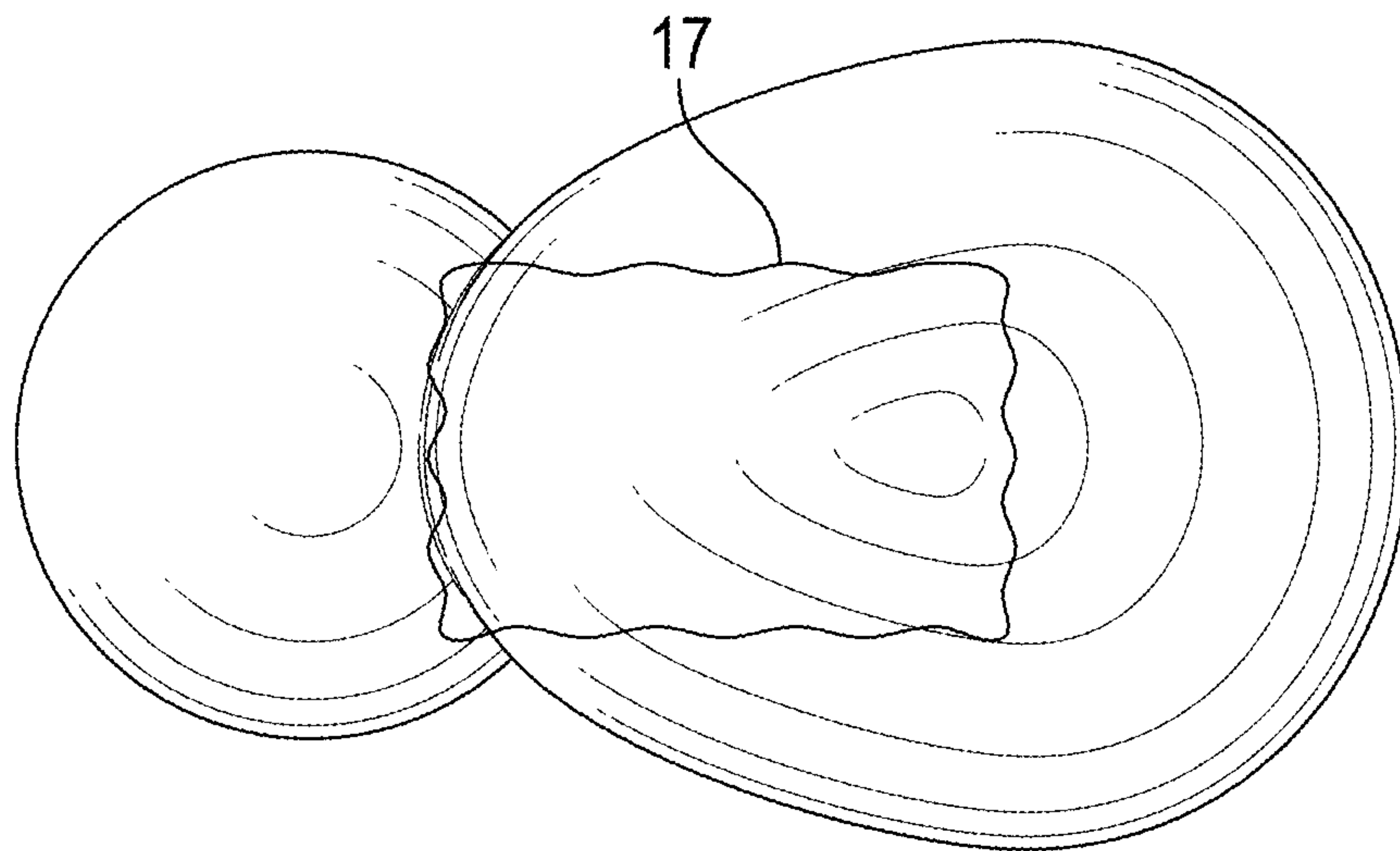


FIG. 6

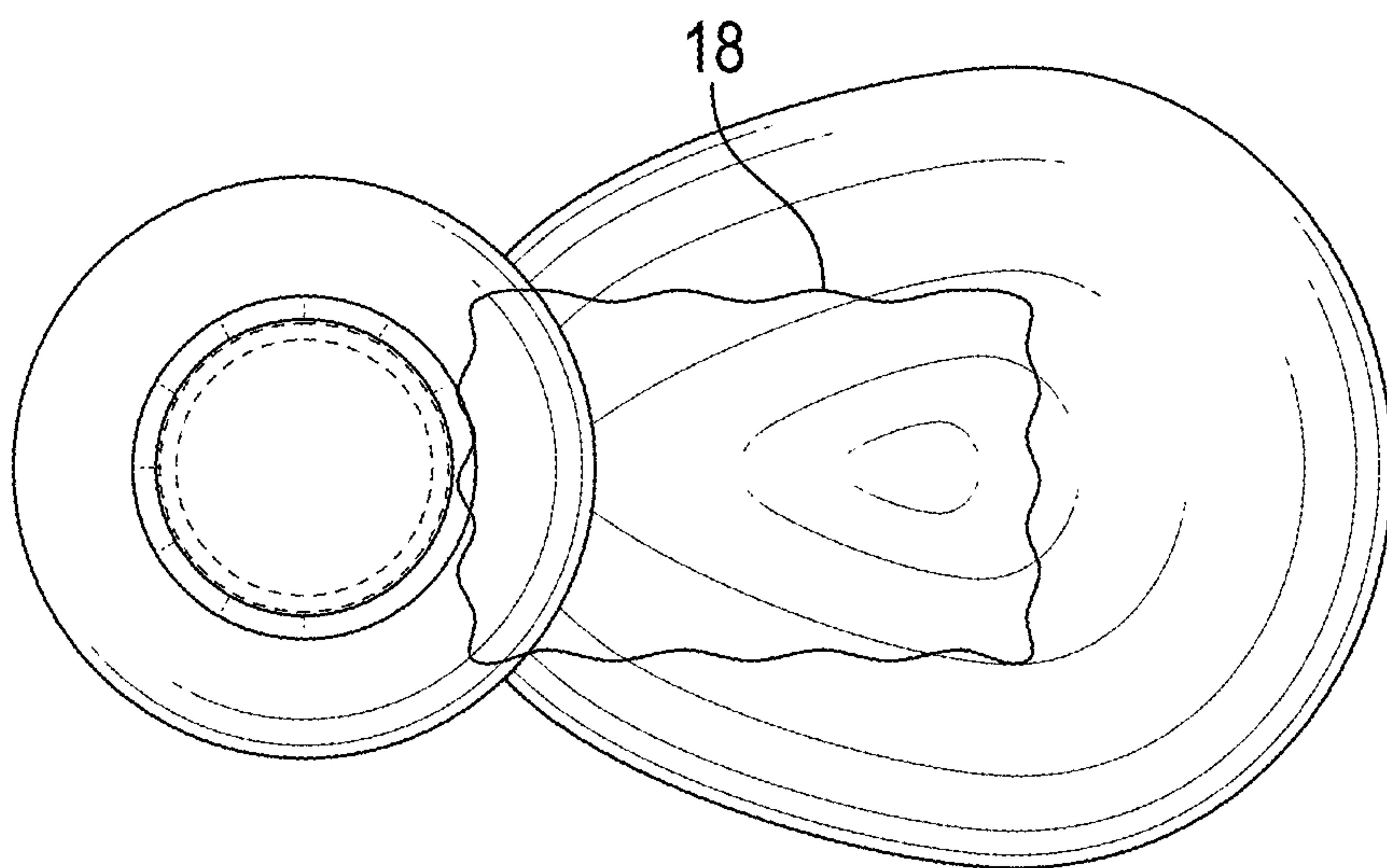


FIG. 7

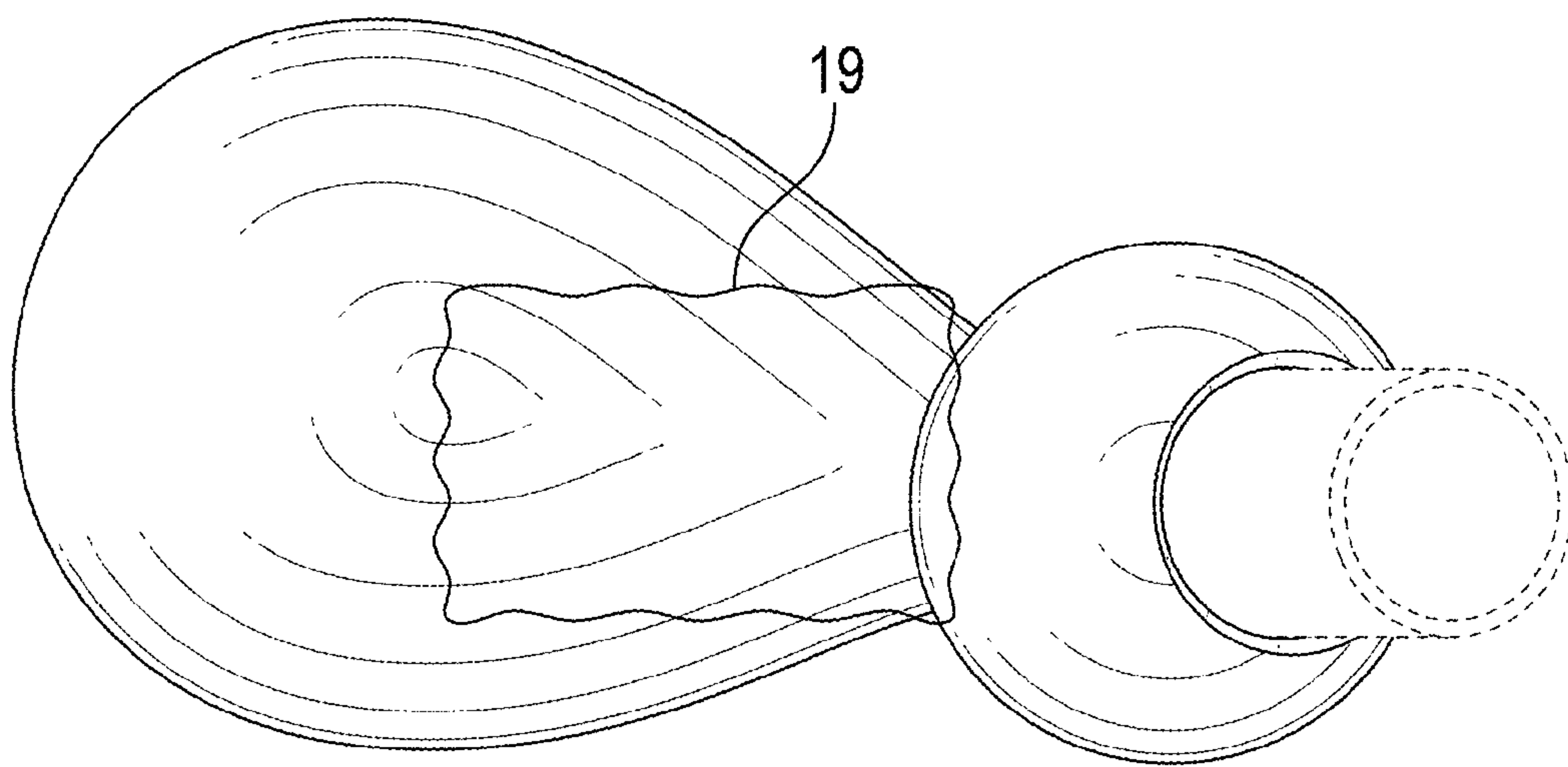


FIG. 8

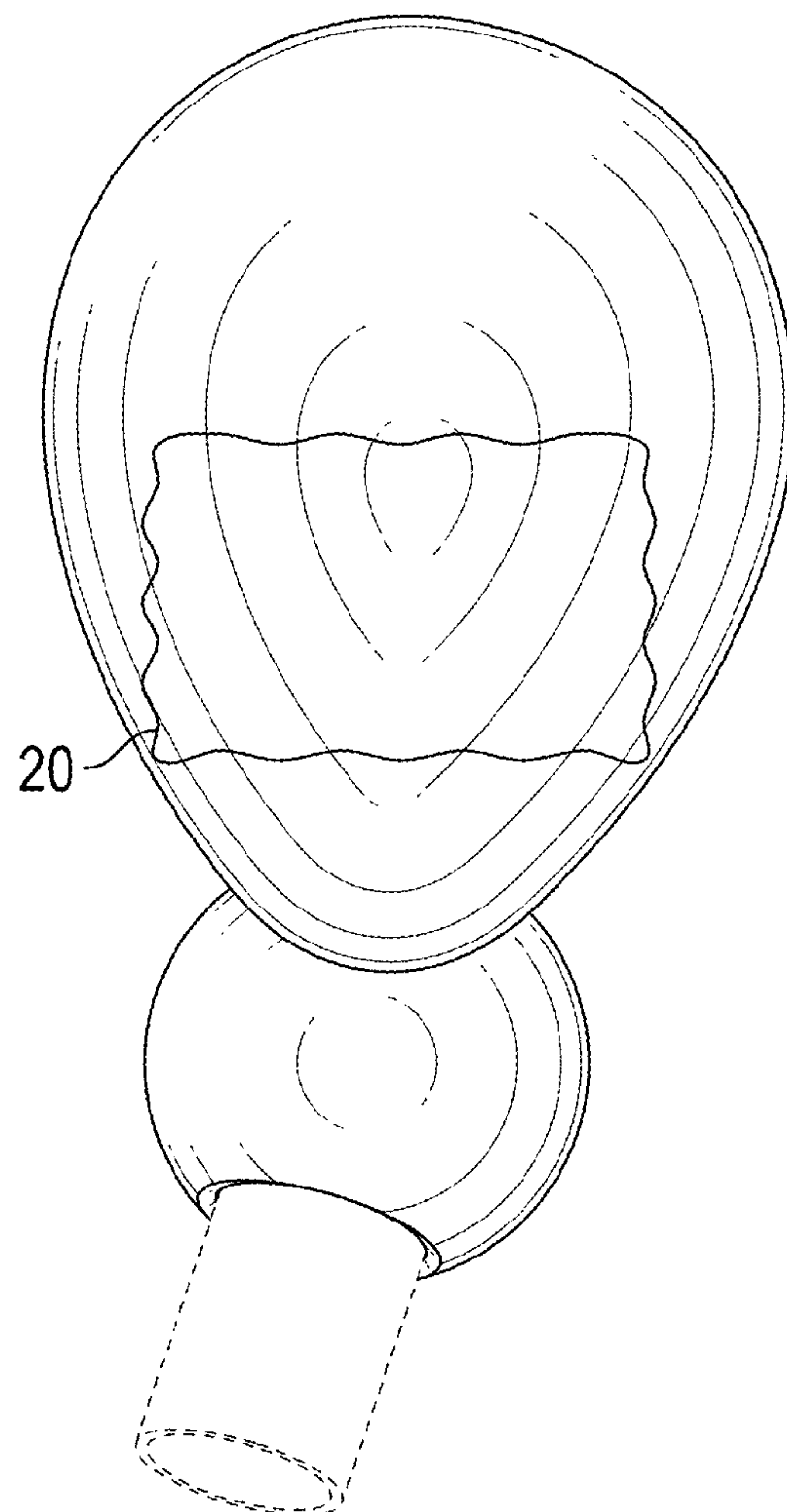


FIG. 9

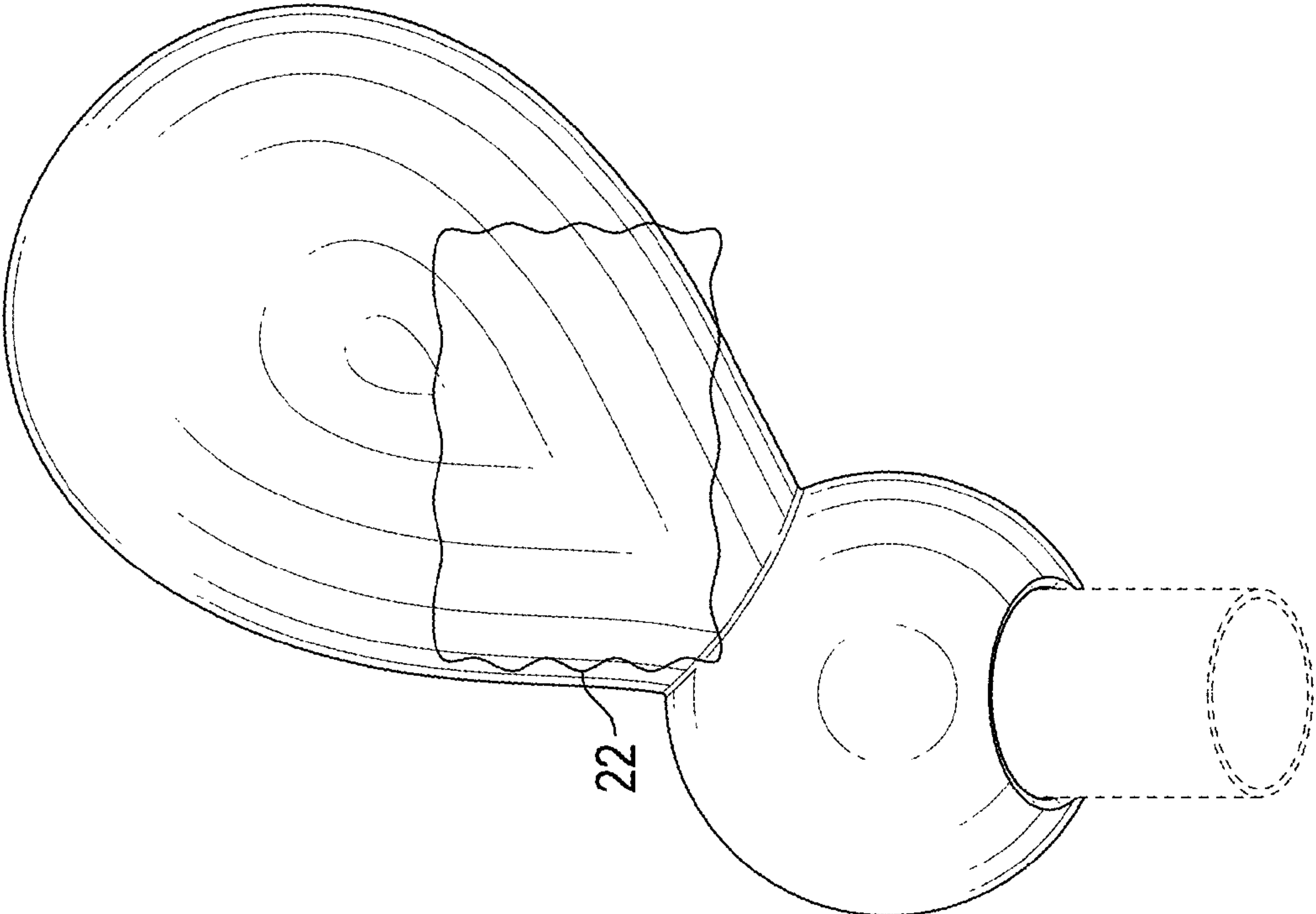


FIG. 10

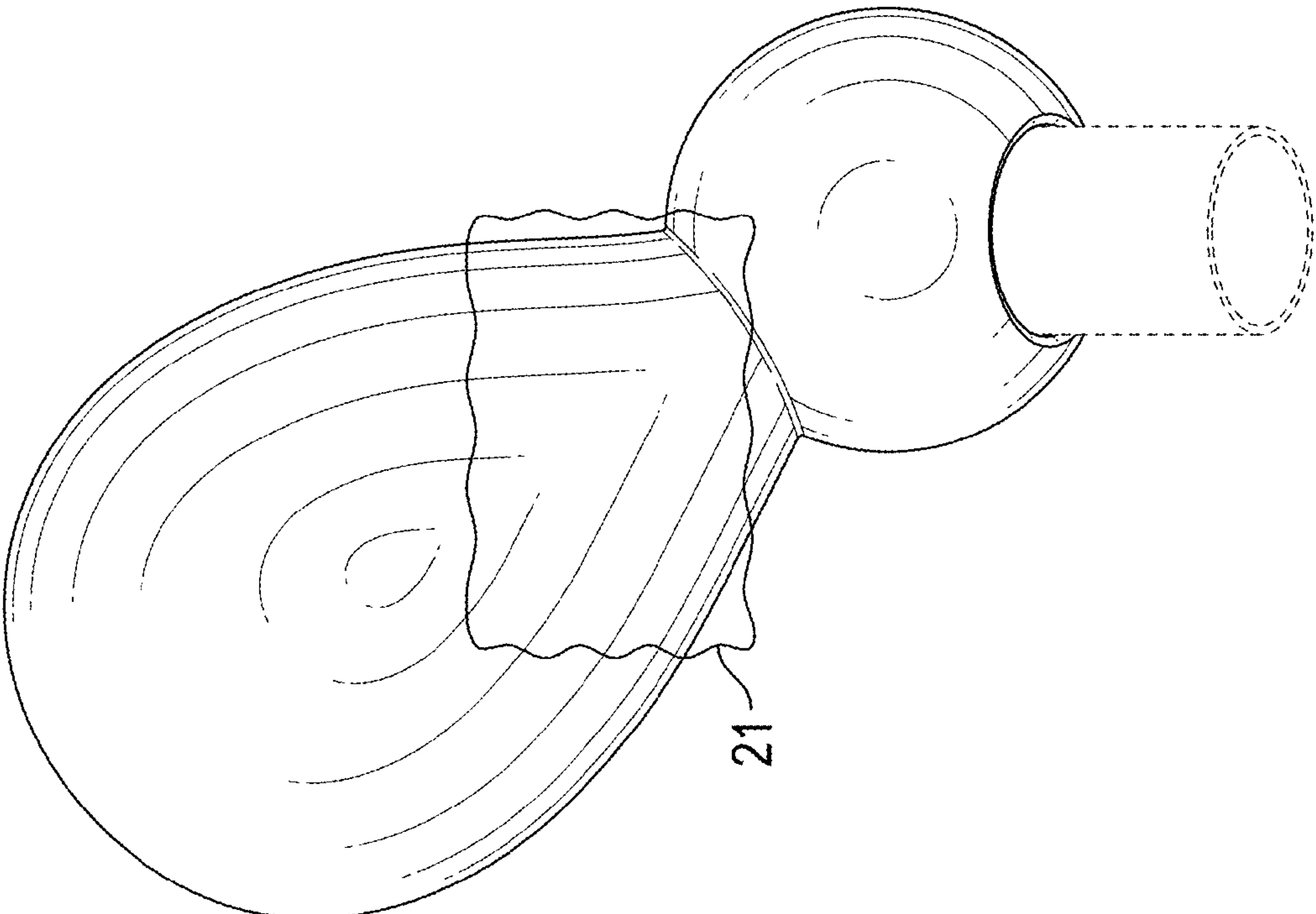


FIG. 11

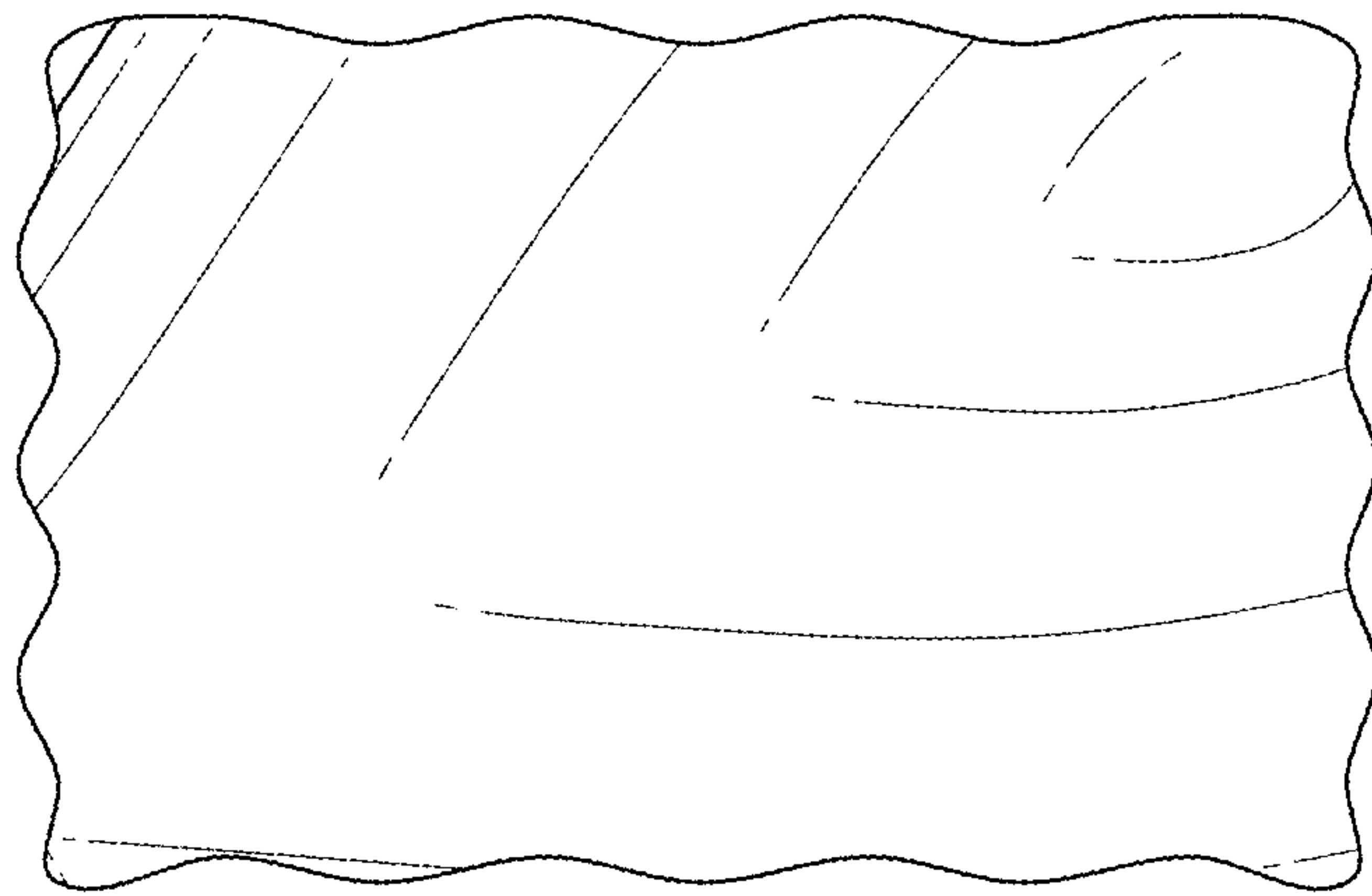


FIG. 12

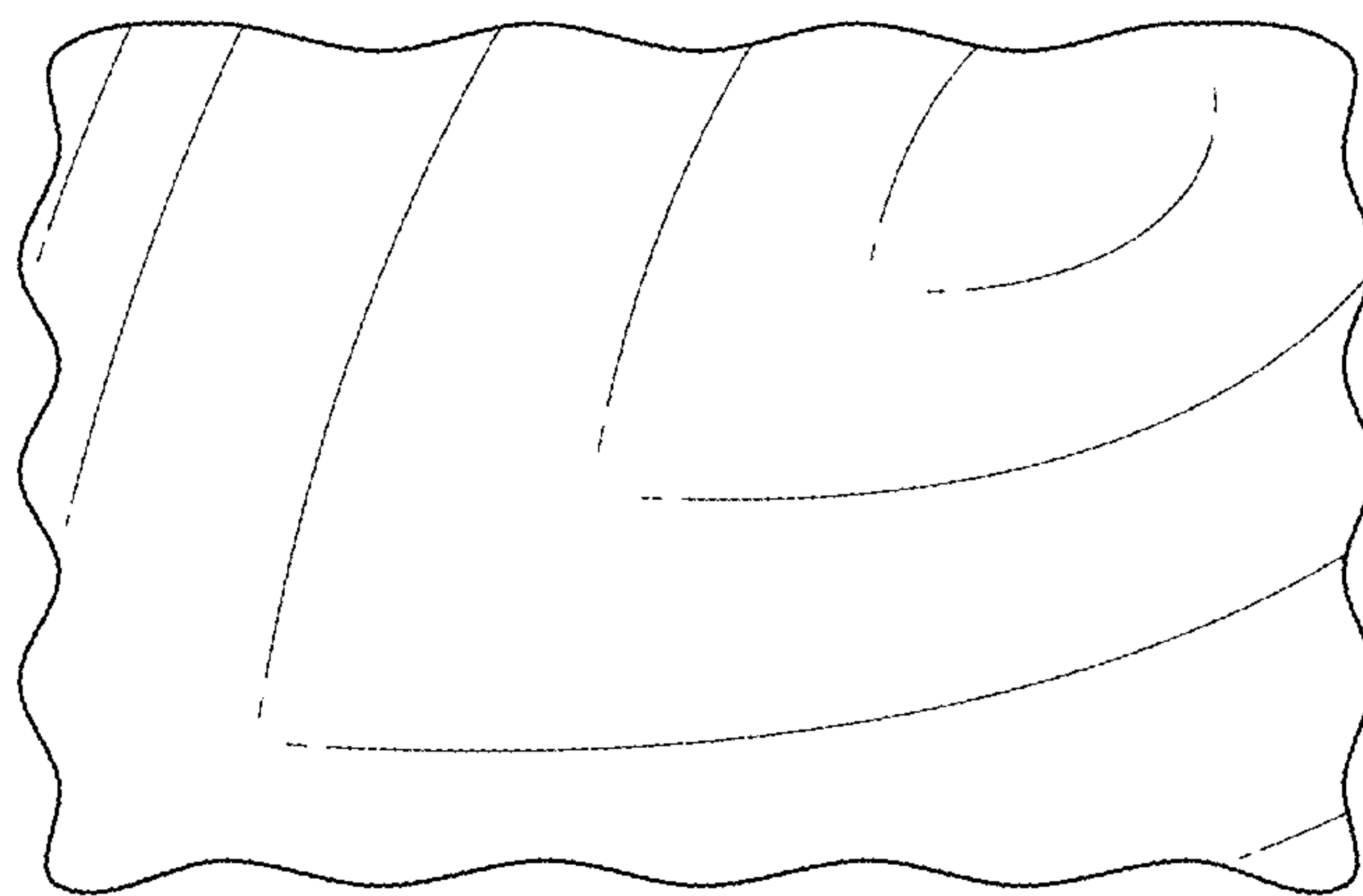


FIG. 13

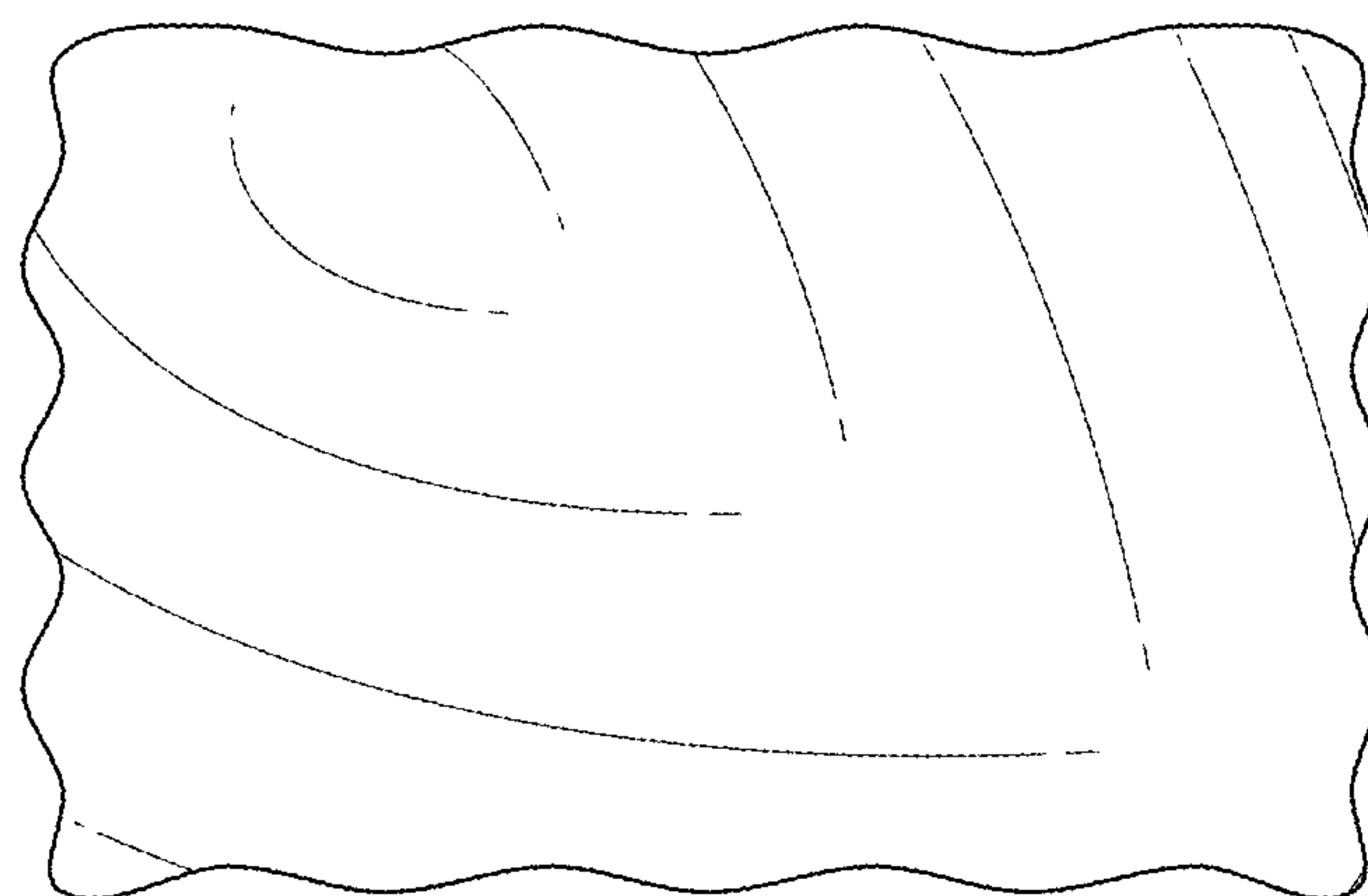


FIG. 14

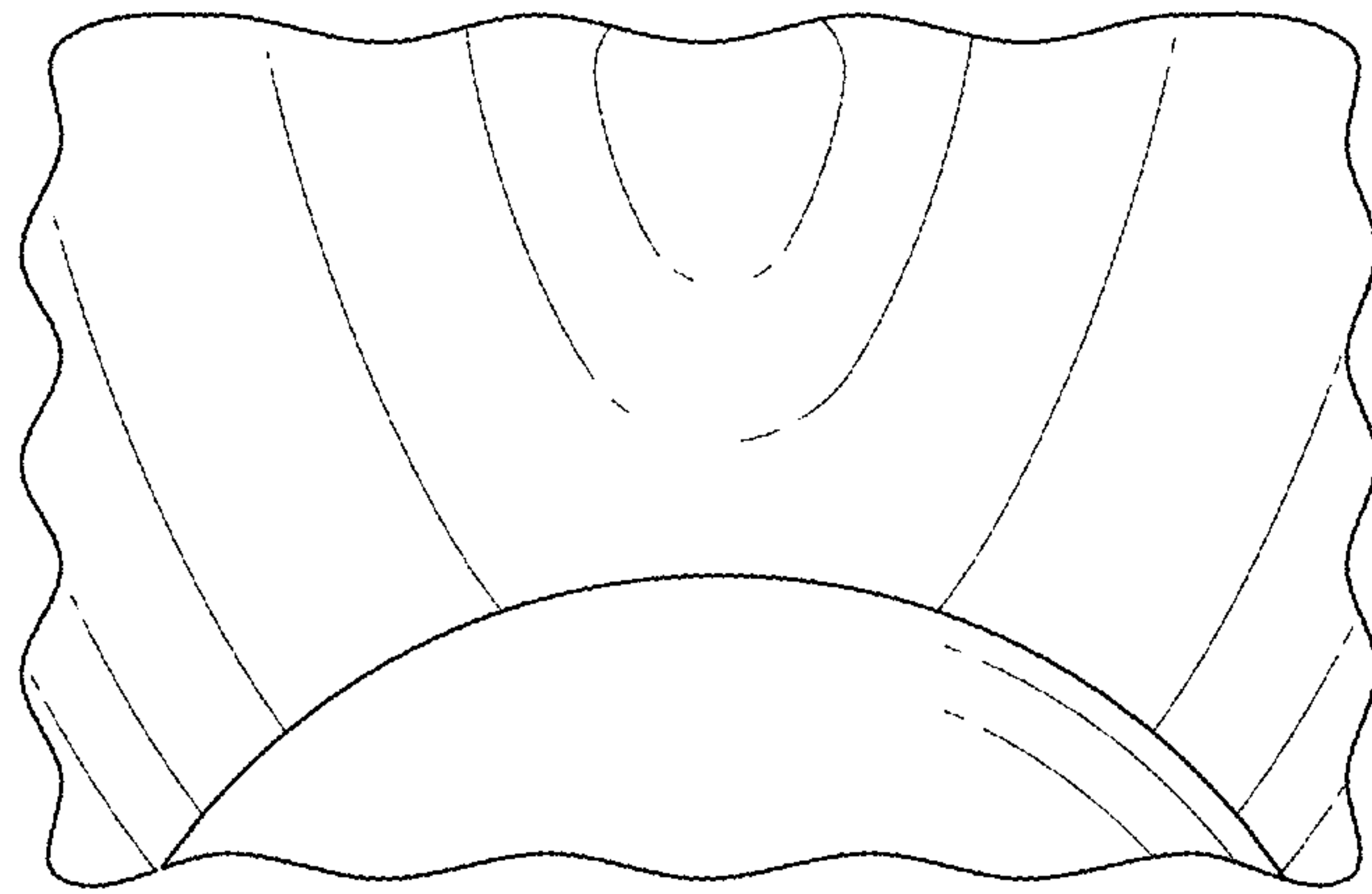


FIG. 15

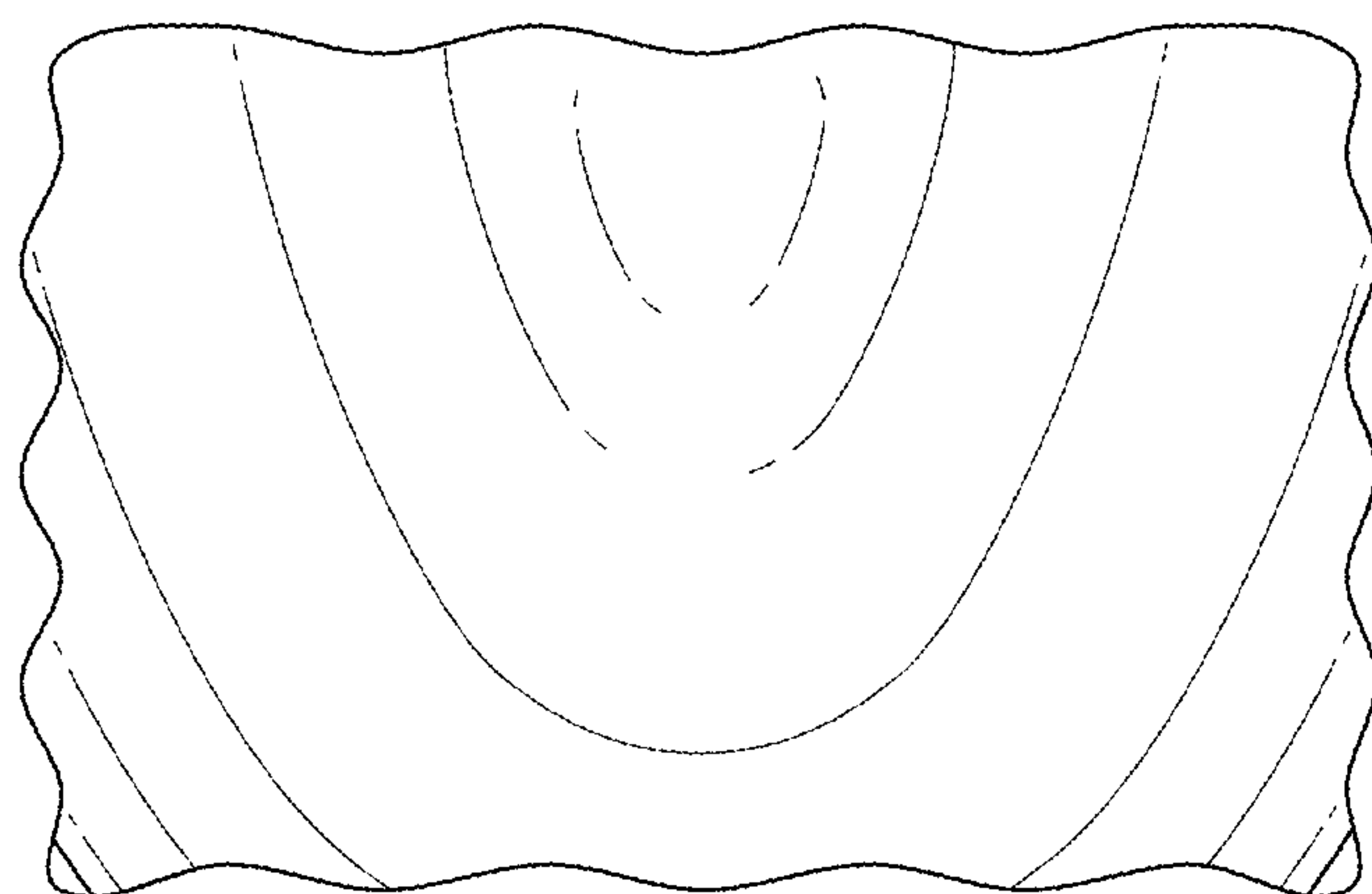


FIG. 16

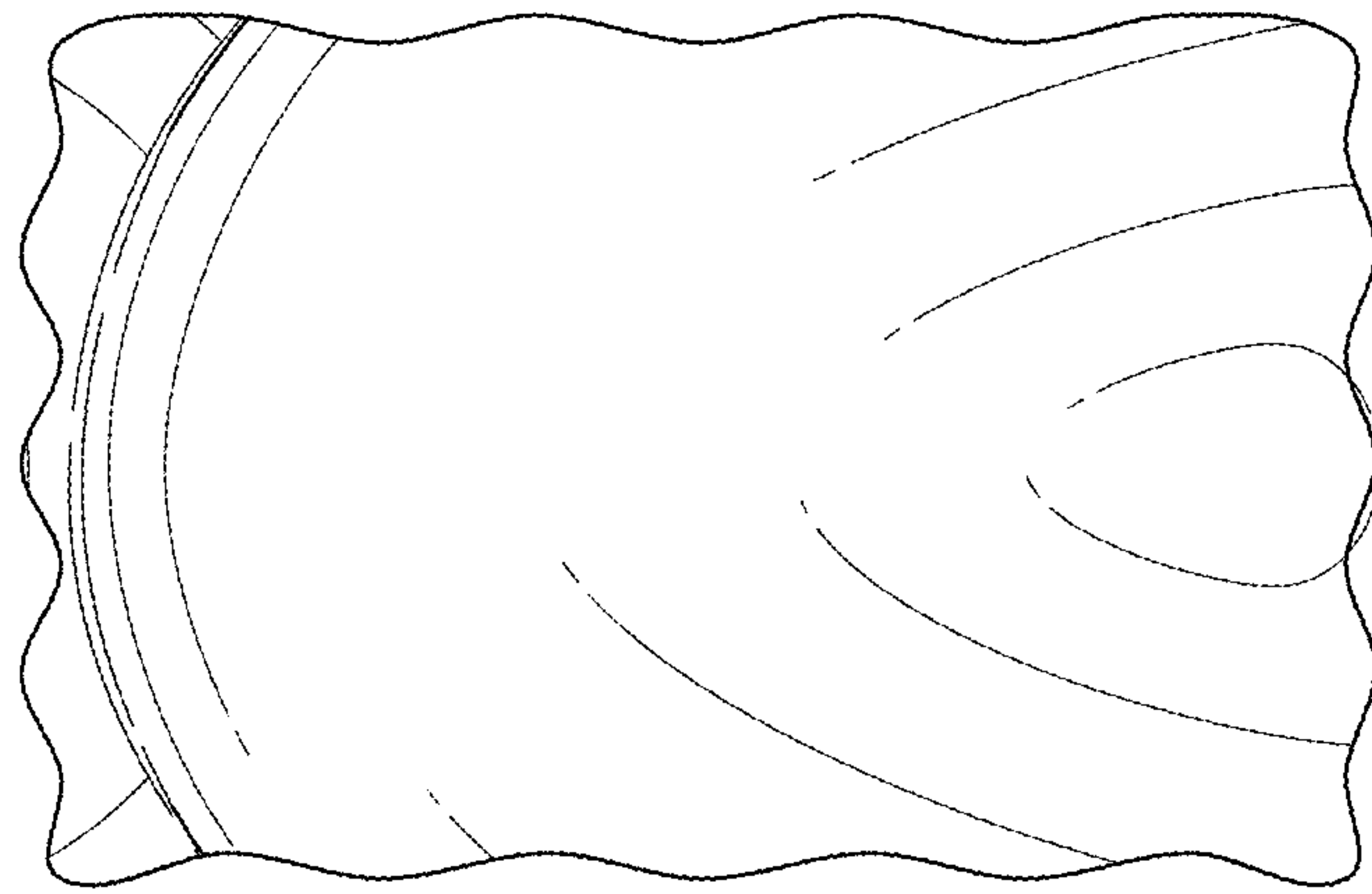


FIG. 17

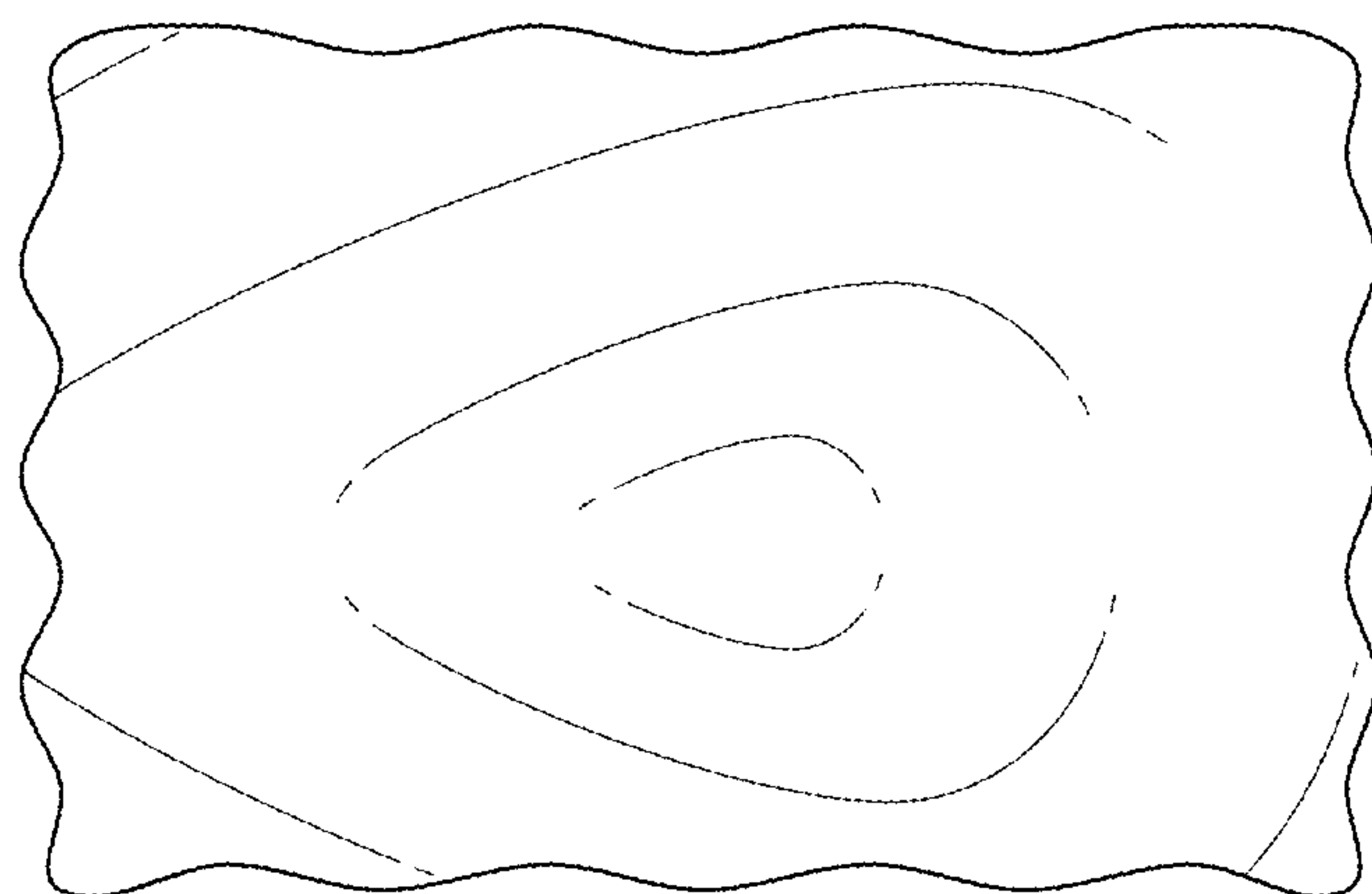


FIG. 18

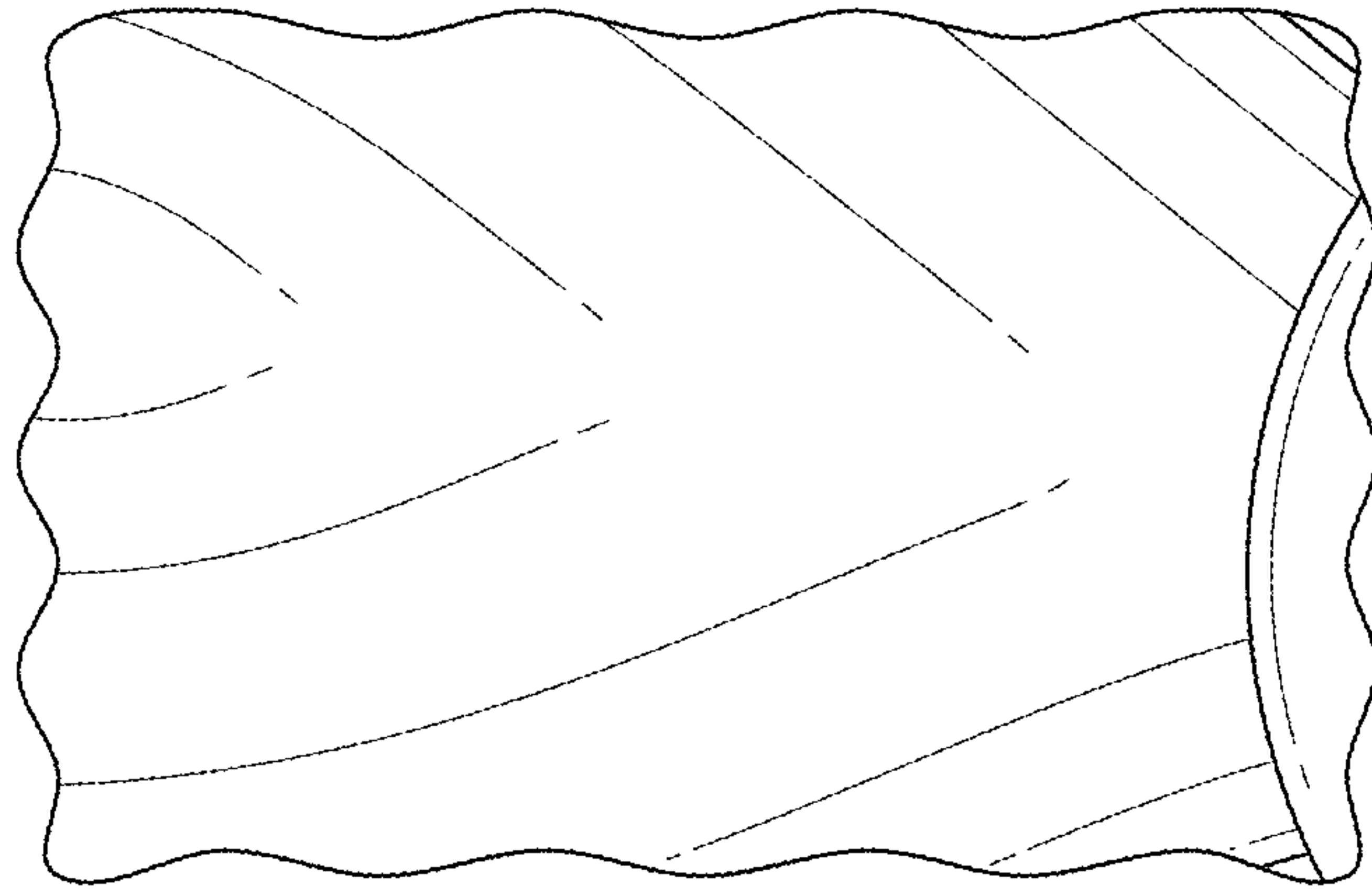


FIG. 19

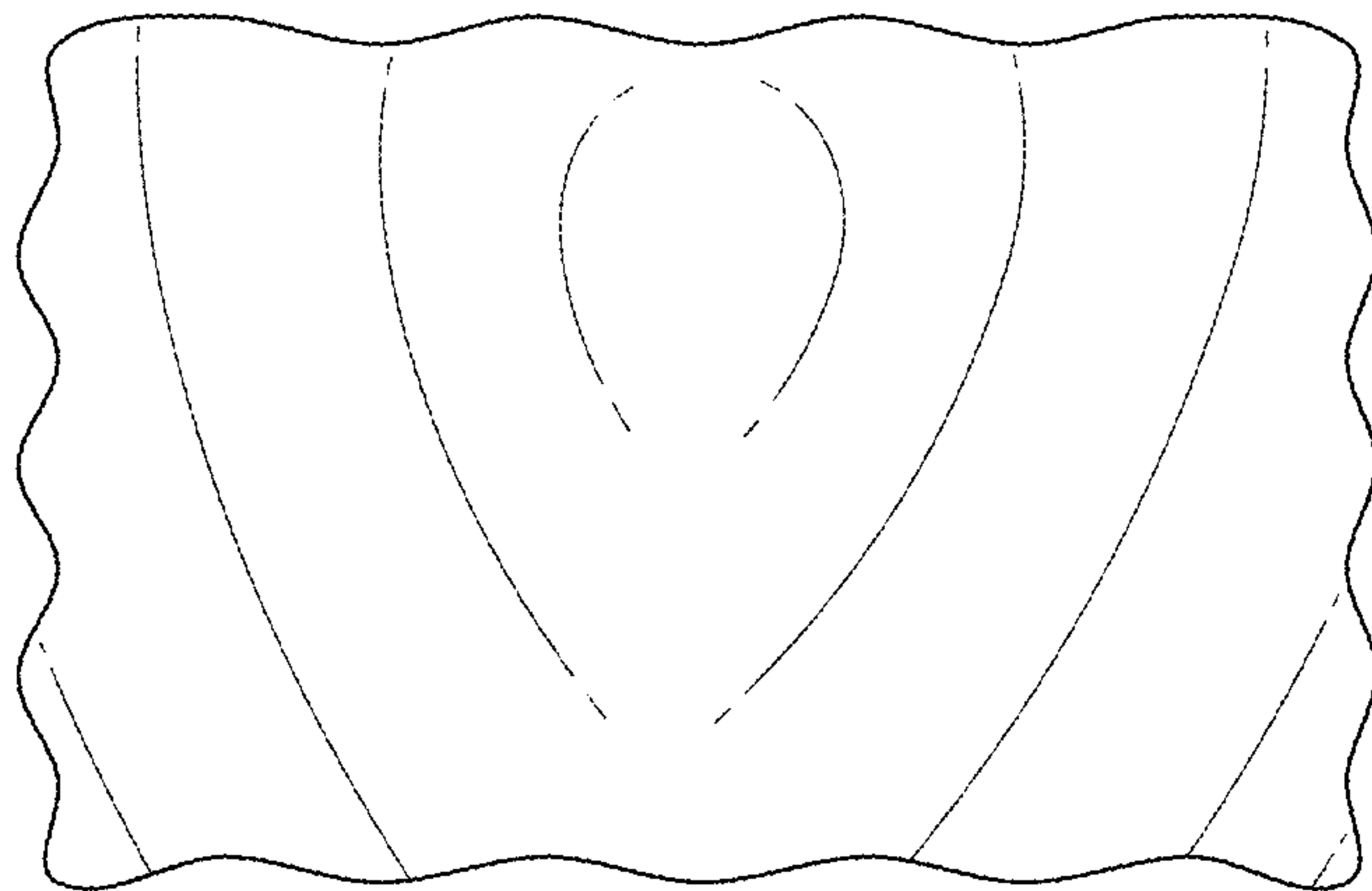


FIG. 20

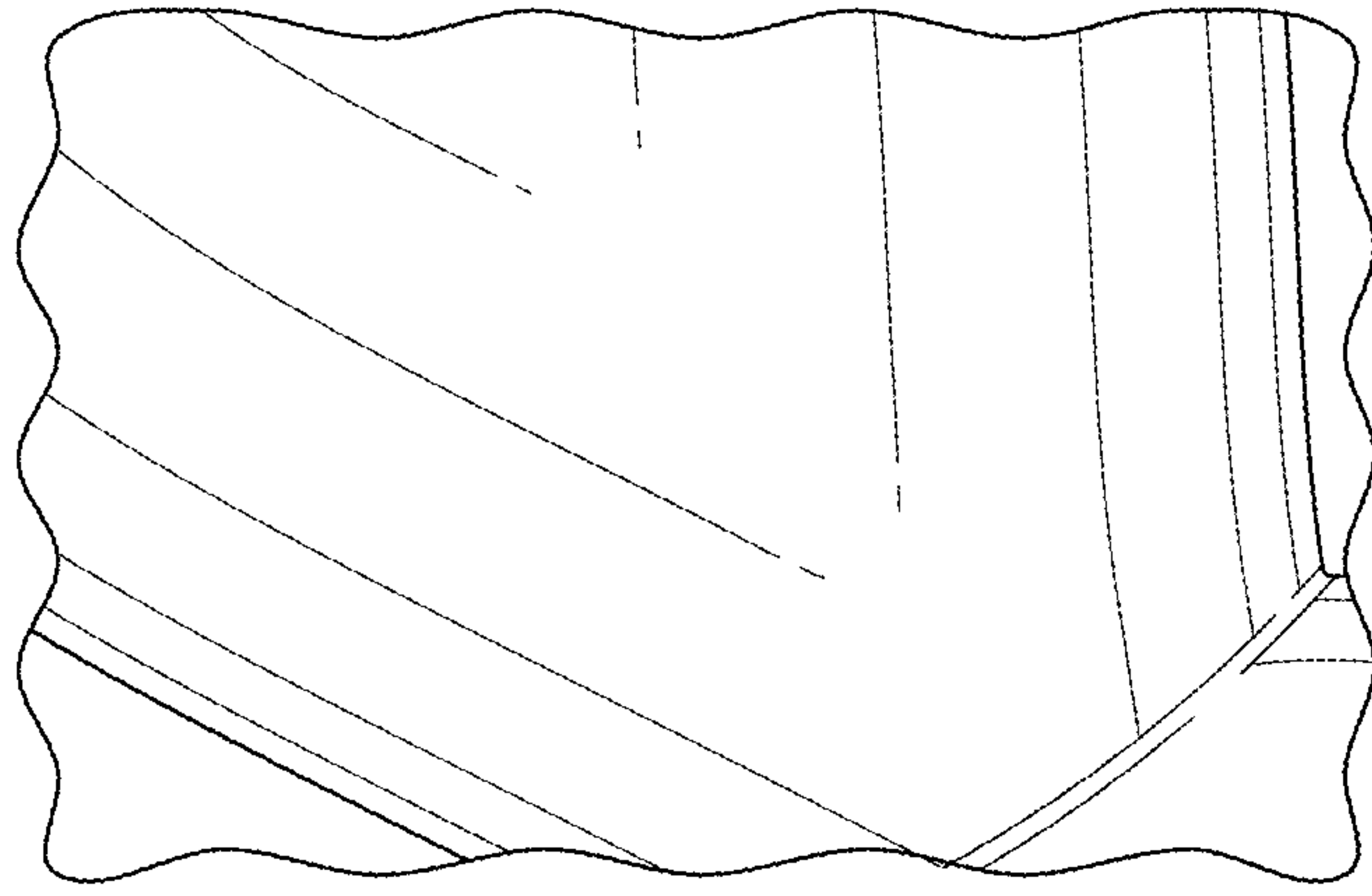


FIG. 21

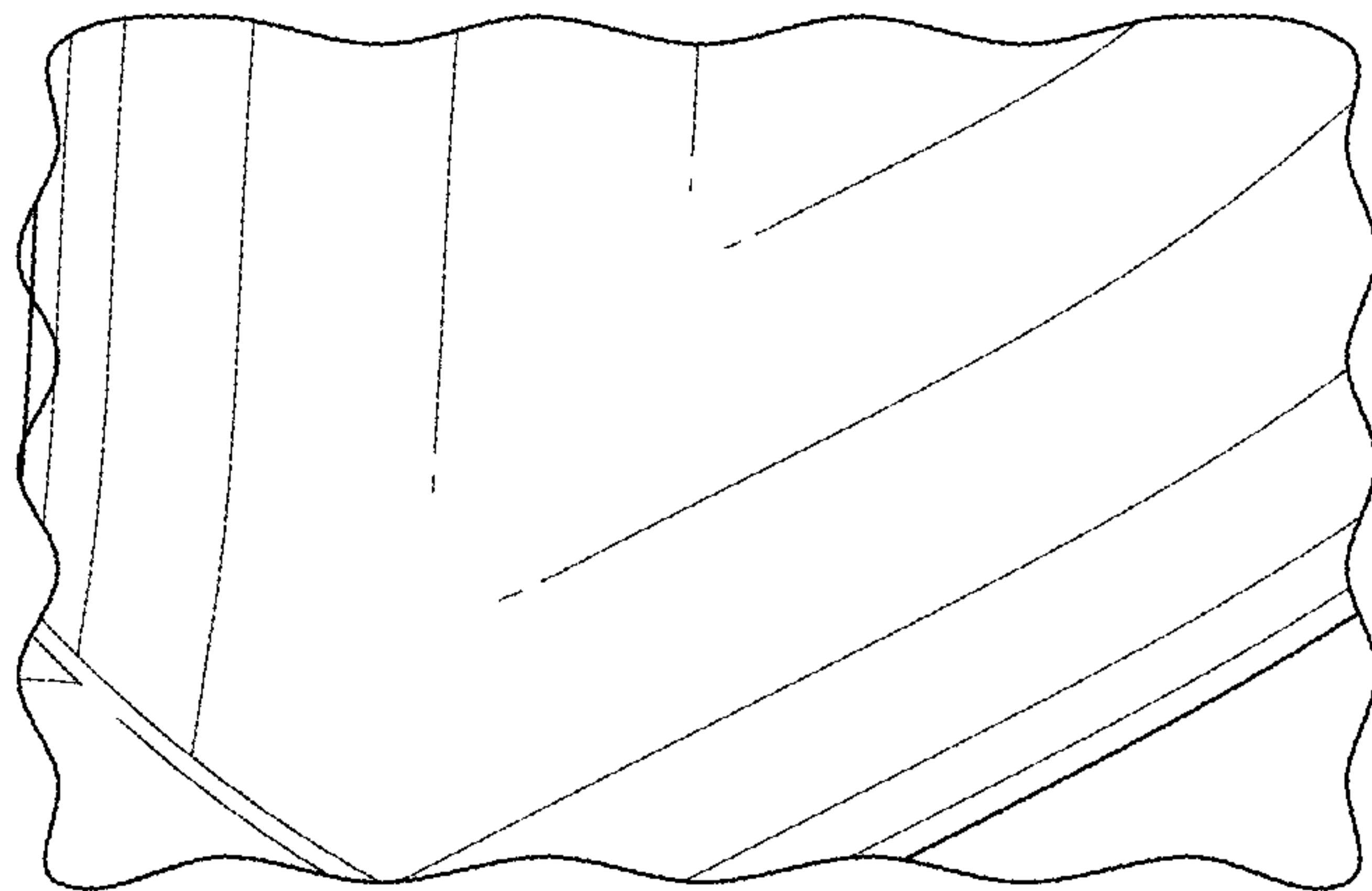


FIG. 22