



US00D979843S

(12) **United States Design Patent**
Lyles

(10) **Patent No.:** **US D979,843 S**
(45) **Date of Patent:** **** Feb. 28, 2023**

(54) **HAIRCUT FADE TOOL**

(71) Applicant: **John Lyles**, Cherry Hill, NJ (US)

(72) Inventor: **John Lyles**, Cherry Hill, NJ (US)

(**) Term: **15 Years**

(21) Appl. No.: **29/785,657**

(22) Filed: **May 26, 2021**

(51) **LOC (14) Cl.** **28-03**

(52) **U.S. Cl.**
USPC **D28/51**

(58) **Field of Classification Search**
USPC D28/49-54
CPC B26B 19/384-3893; B26B 19/38-3826;
B26B 19/26-265; B26B 19/00-107
See application file for complete search history.

(56) **References Cited**

U.S. PATENT DOCUMENTS

5,966,821	A	10/1999	Armbruster	
D675,378	S *	1/2013	Boulanger	D28/51
D897,042	S *	9/2020	Wang	D28/51
D897,043	S *	9/2020	Wang	D28/51
D950,850	S *	5/2022	Li	D28/51
D959,742	S *	8/2022	Li	D28/51
D965,889	S *	10/2022	Zeng	D28/49
D972,213	S *	12/2022	Wang	D28/49
2012/0320180	A1	12/2012	Binder	

FOREIGN PATENT DOCUMENTS

EP 3300850 B1 10/2019

OTHER PUBLICATIONS

Braun Electric Razor, <https://www.amazon.com/Braun-Electric-Shaver-Station-Cordless/dp/B003YJAZZ4>.

Yasun Men's Foil Shaver, <https://www.amazon.com/Electric-Razor-Men-Rechargeable-Waterproof/dp/B082GKSPN9>.

* cited by examiner

Primary Examiner — Jennifer Rivard

(57) **CLAIM**

The ornamental design for a haircut fade tool, as shown and described.

DESCRIPTION

FIG. 1 is a top-front-left perspective view of a haircut fade tool showing my new design; FIG. 2 is a top-rear-left perspective view thereof; FIG. 3 is a bottom-front-right perspective view thereof; FIG. 4 is a bottom-rear-right perspective view thereof; FIG. 5 is a front elevational view thereof; FIG. 6 is a rear elevational view thereof; FIG. 7 is a top plan view thereof; FIG. 8 is a bottom plan view thereof; FIG. 9 is a right elevational view thereof; FIG. 10 is a left elevational view thereof; and, FIG. 11 is a right elevational view thereof, showing the head of the haircut fade tool in a tilted configuration. The broken lines illustrate portions of the haircut fade tool and form no part of the claimed design.

1 Claim, 11 Drawing Sheets

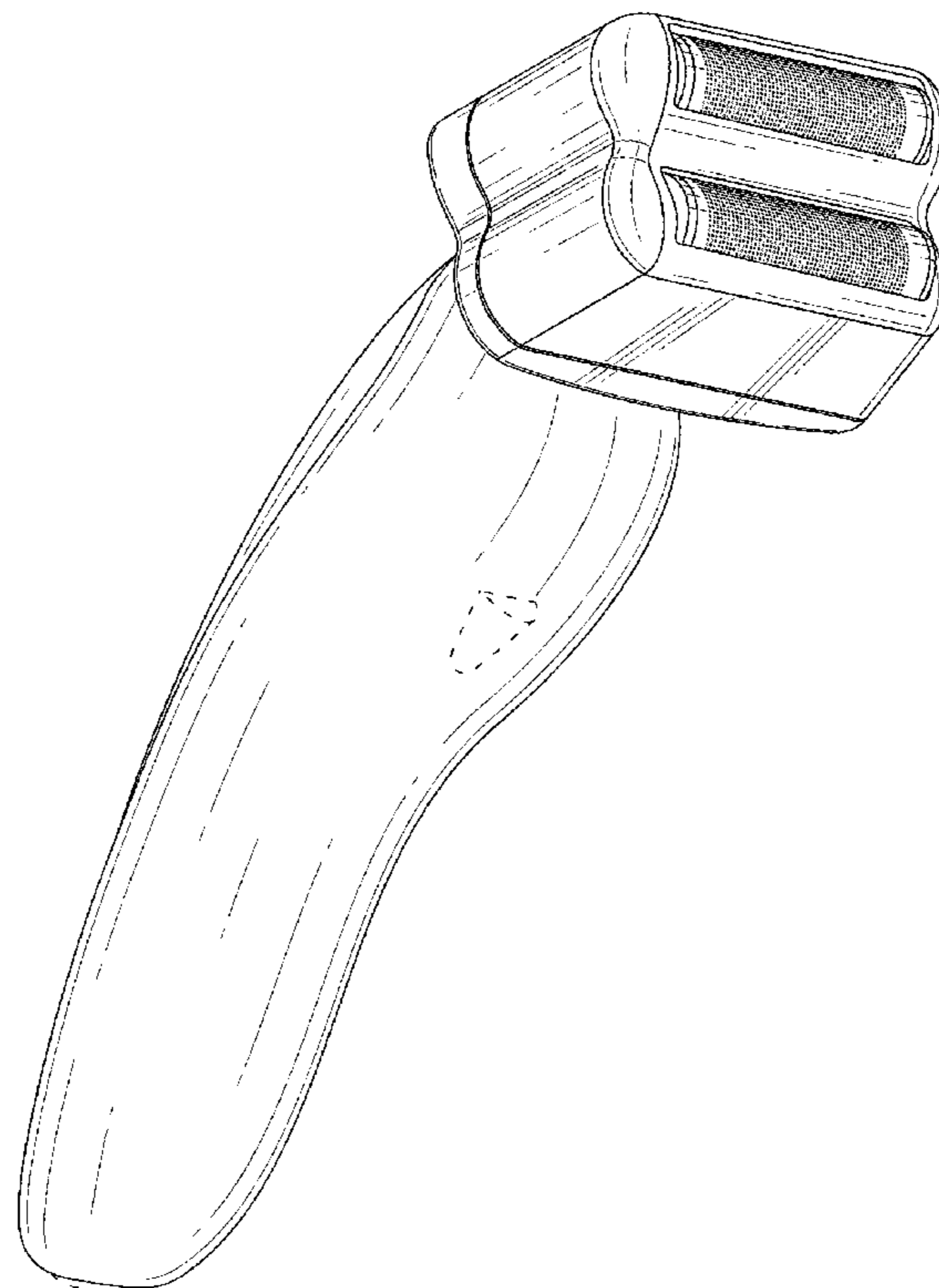




FIG. 1

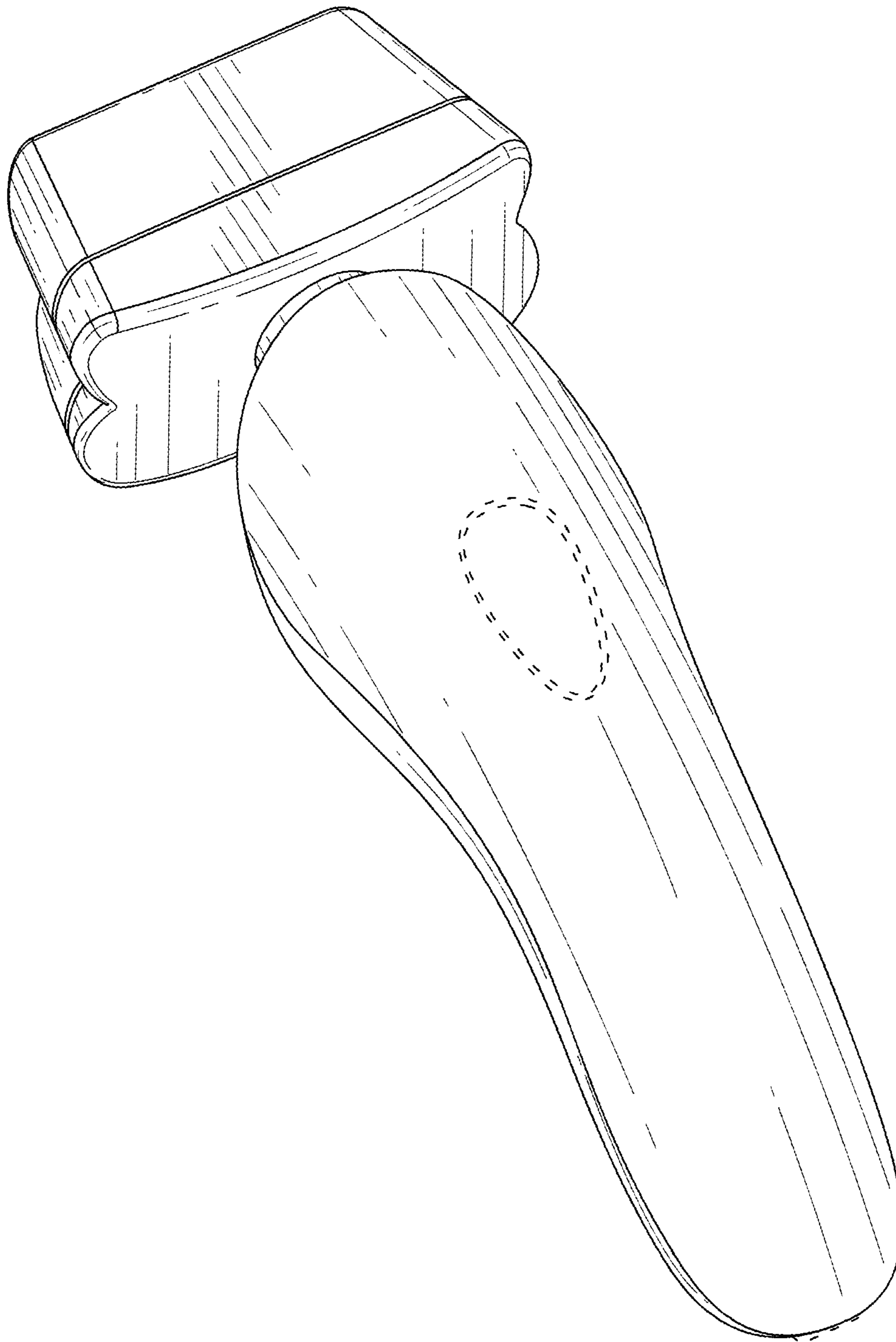


FIG. 2

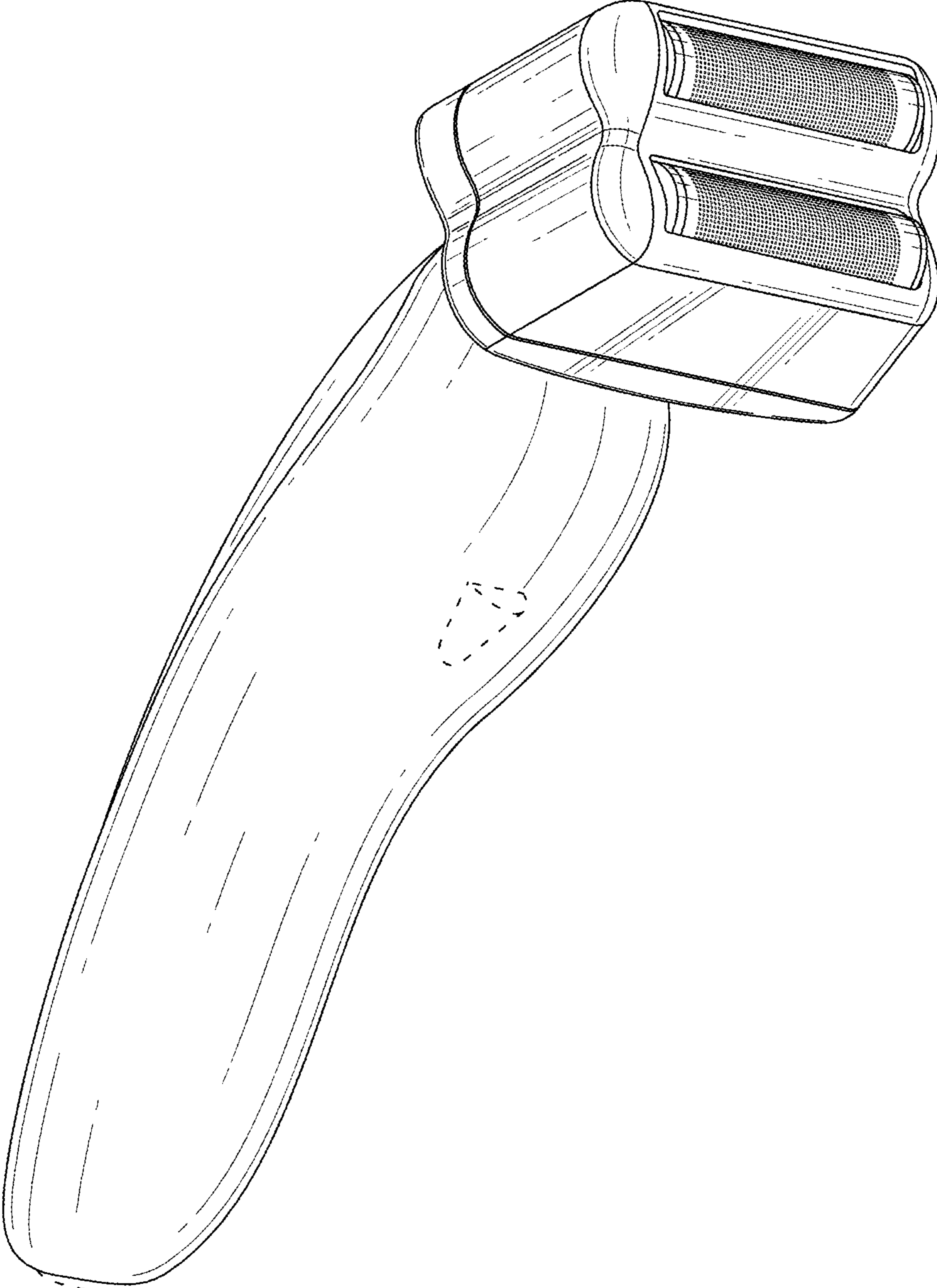


FIG. 3

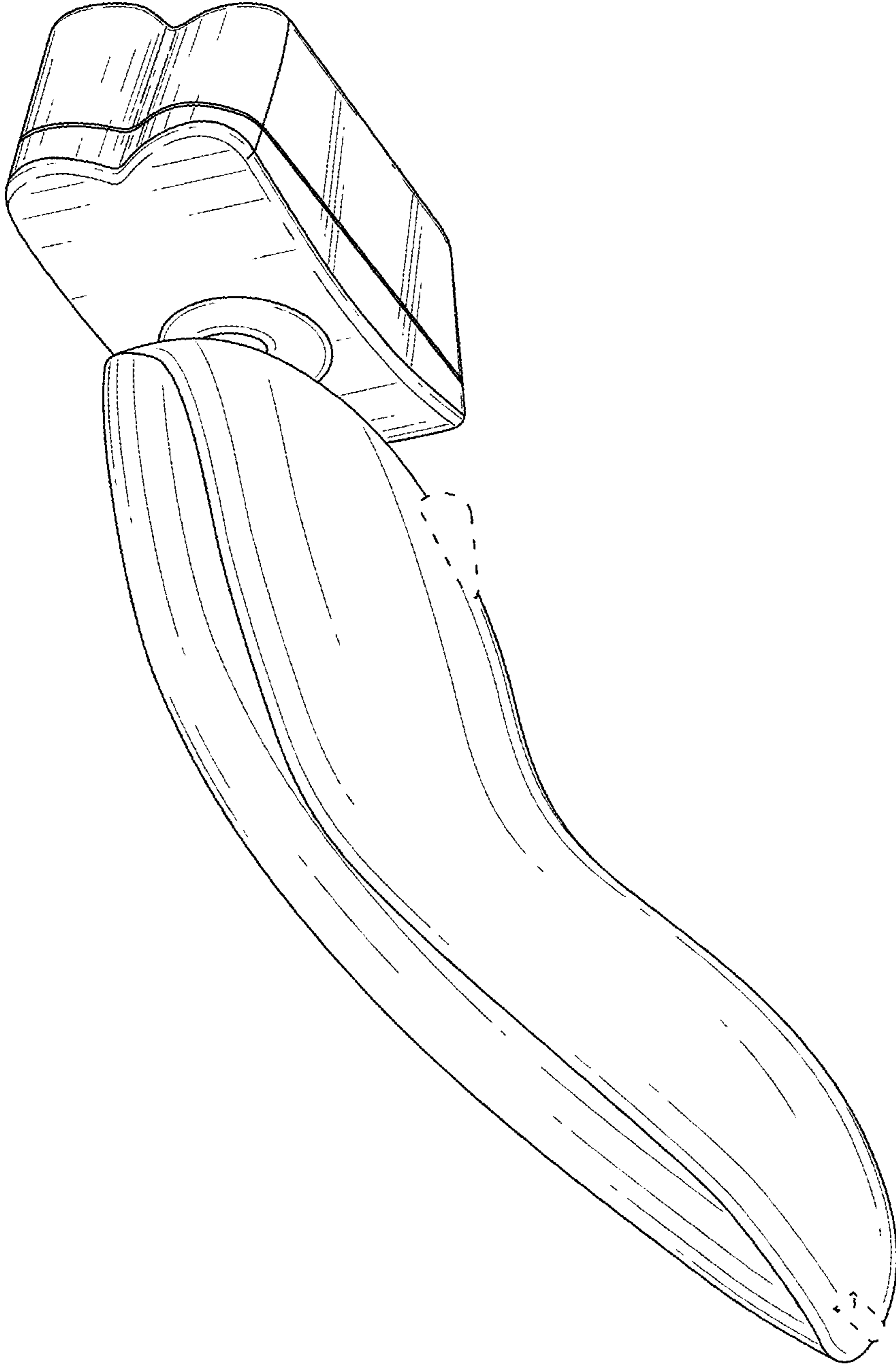


FIG. 4

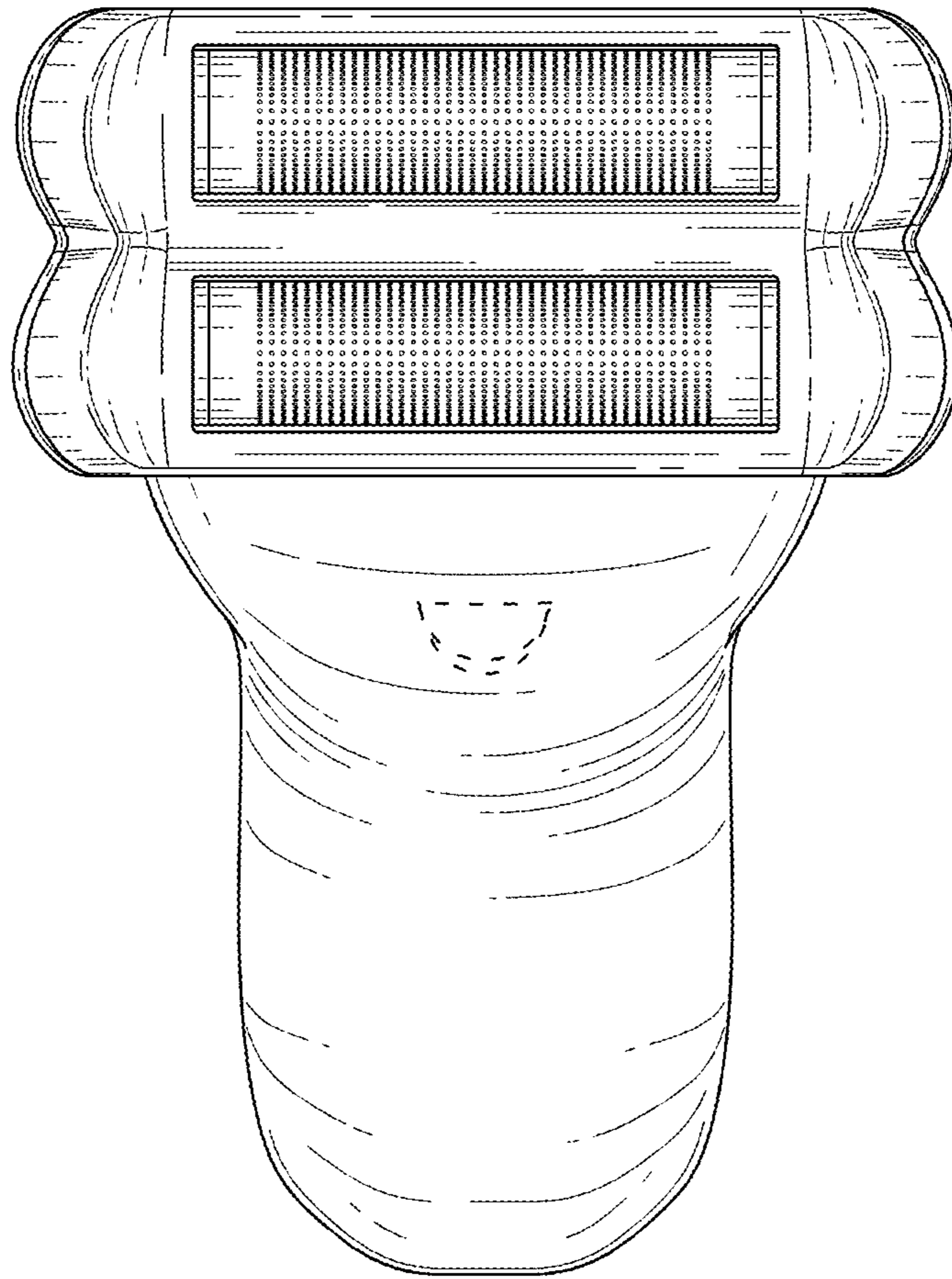


FIG. 5

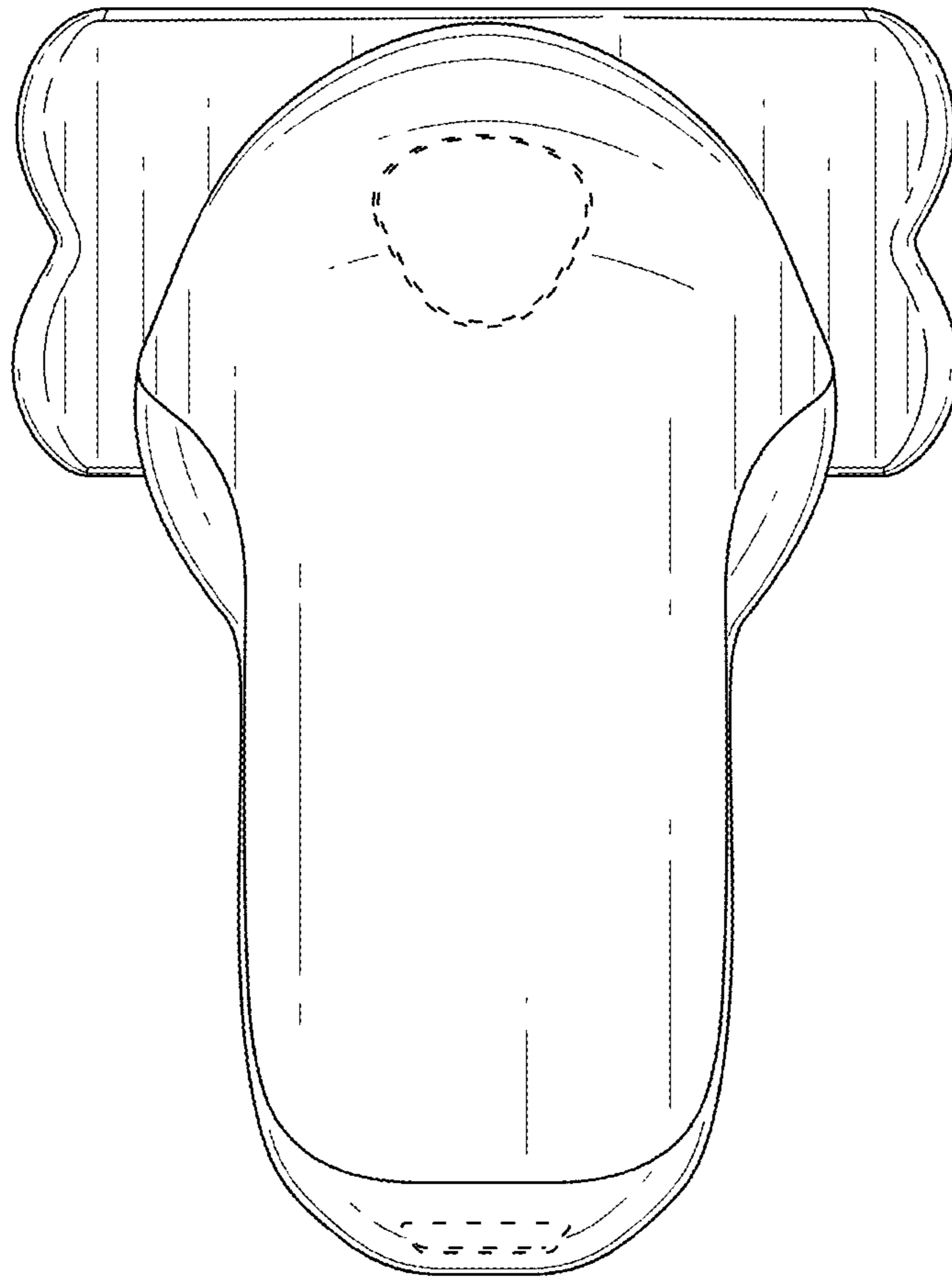


FIG. 6

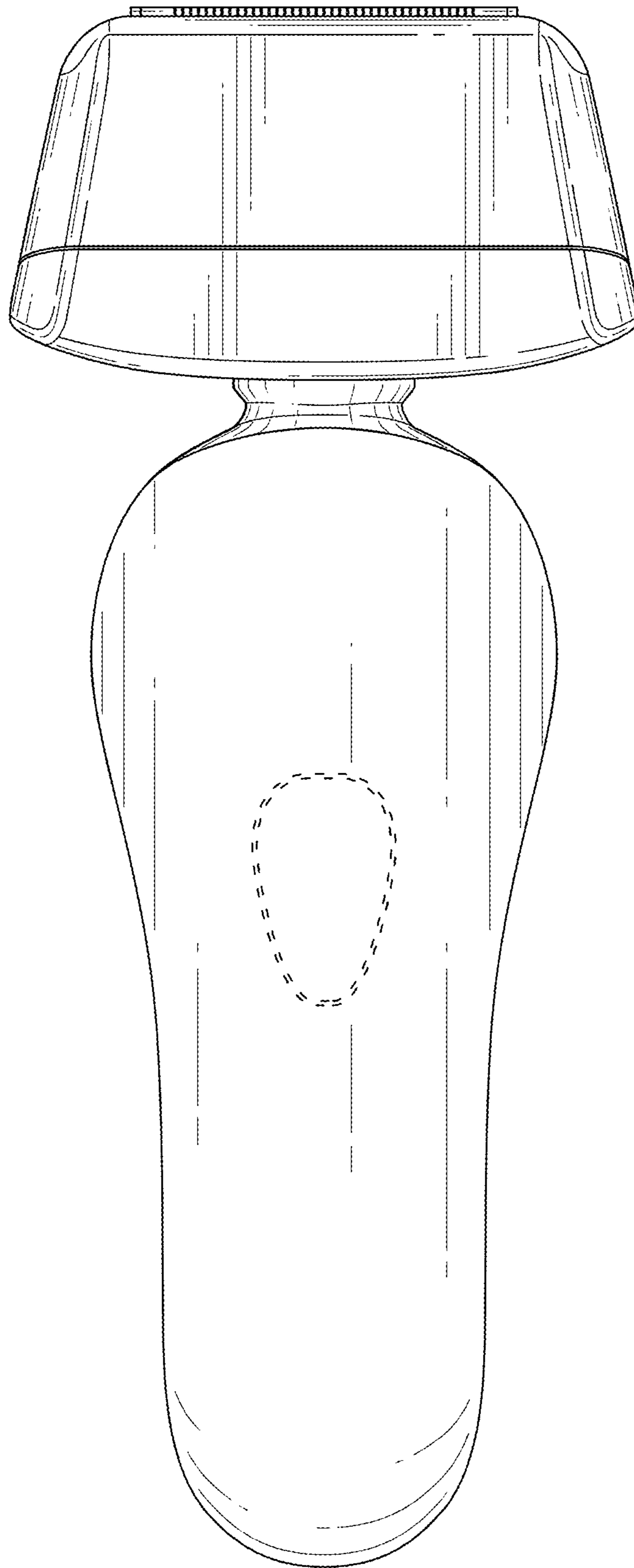


FIG. 7

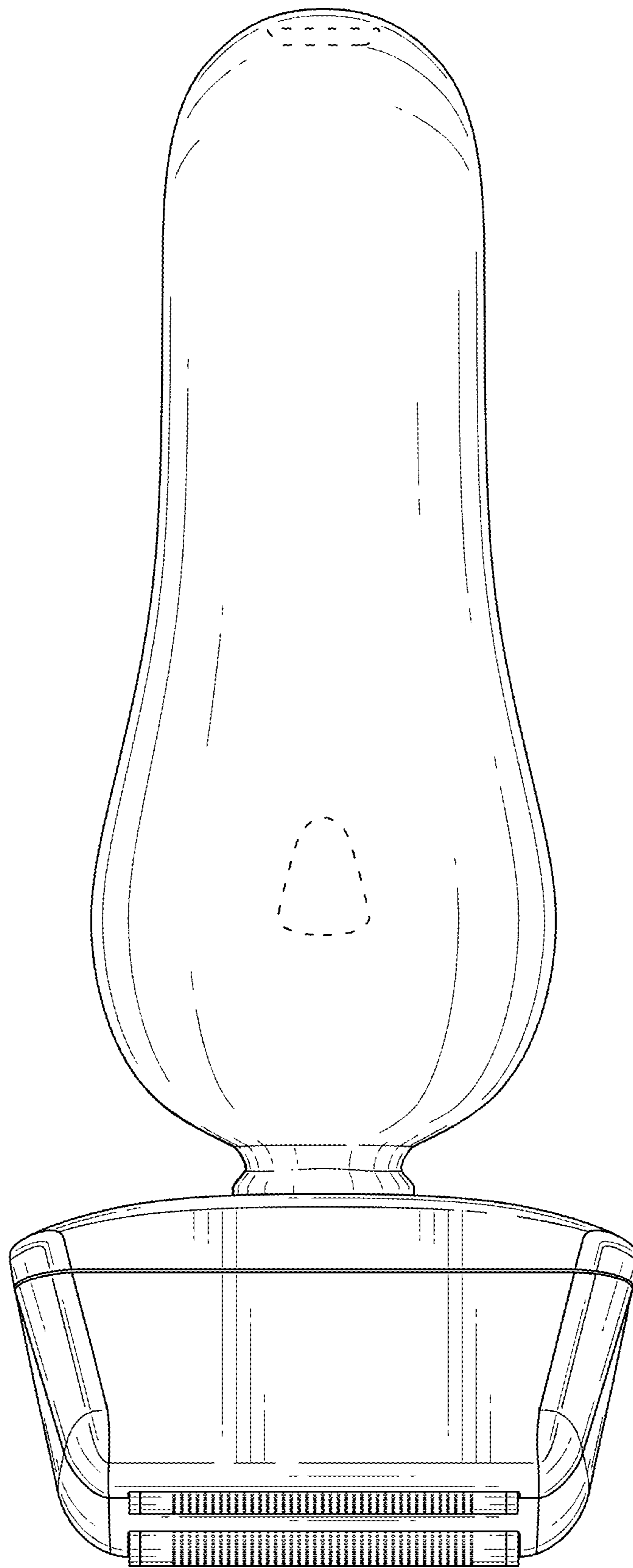


FIG. 8

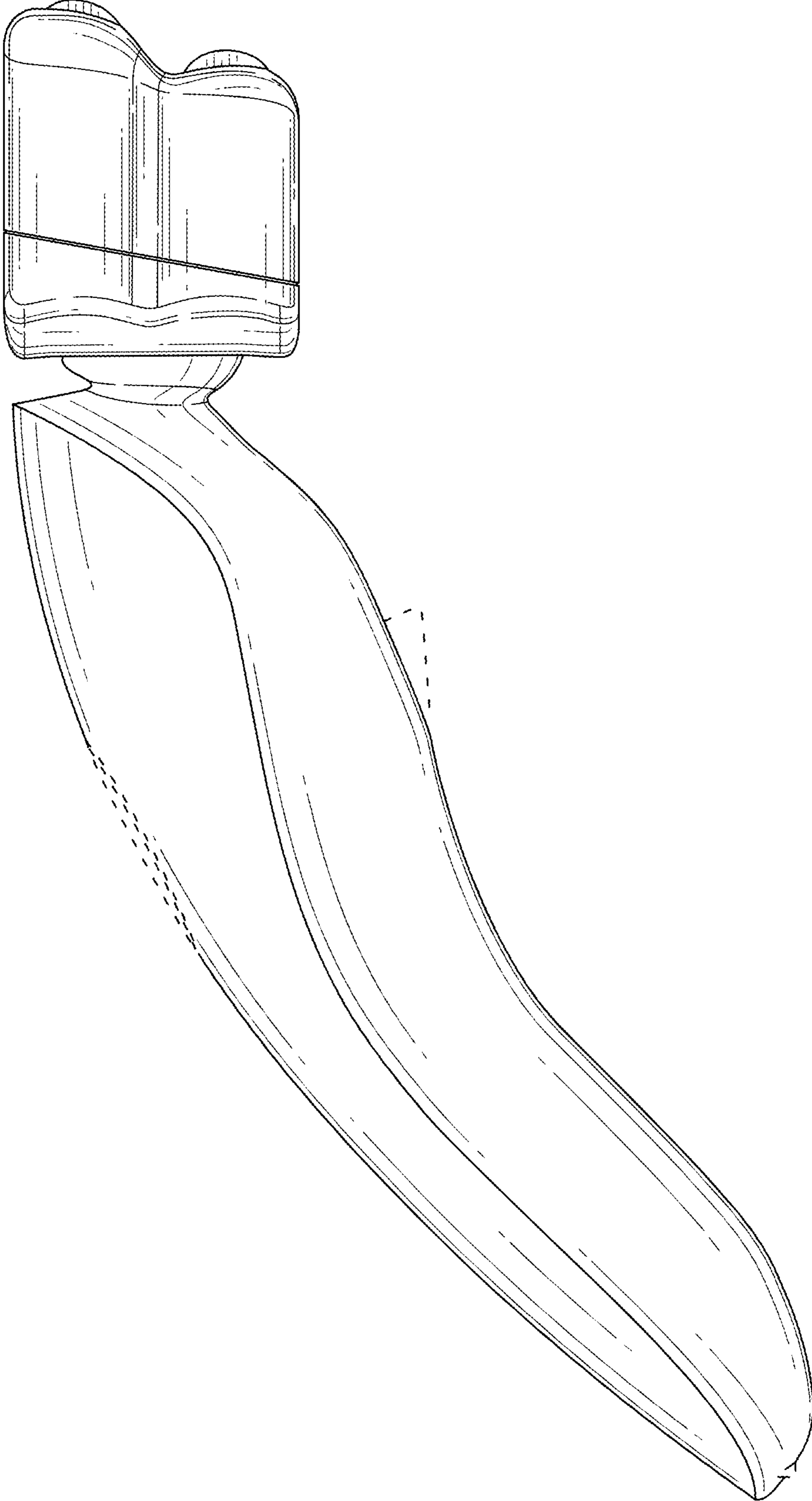


FIG. 9

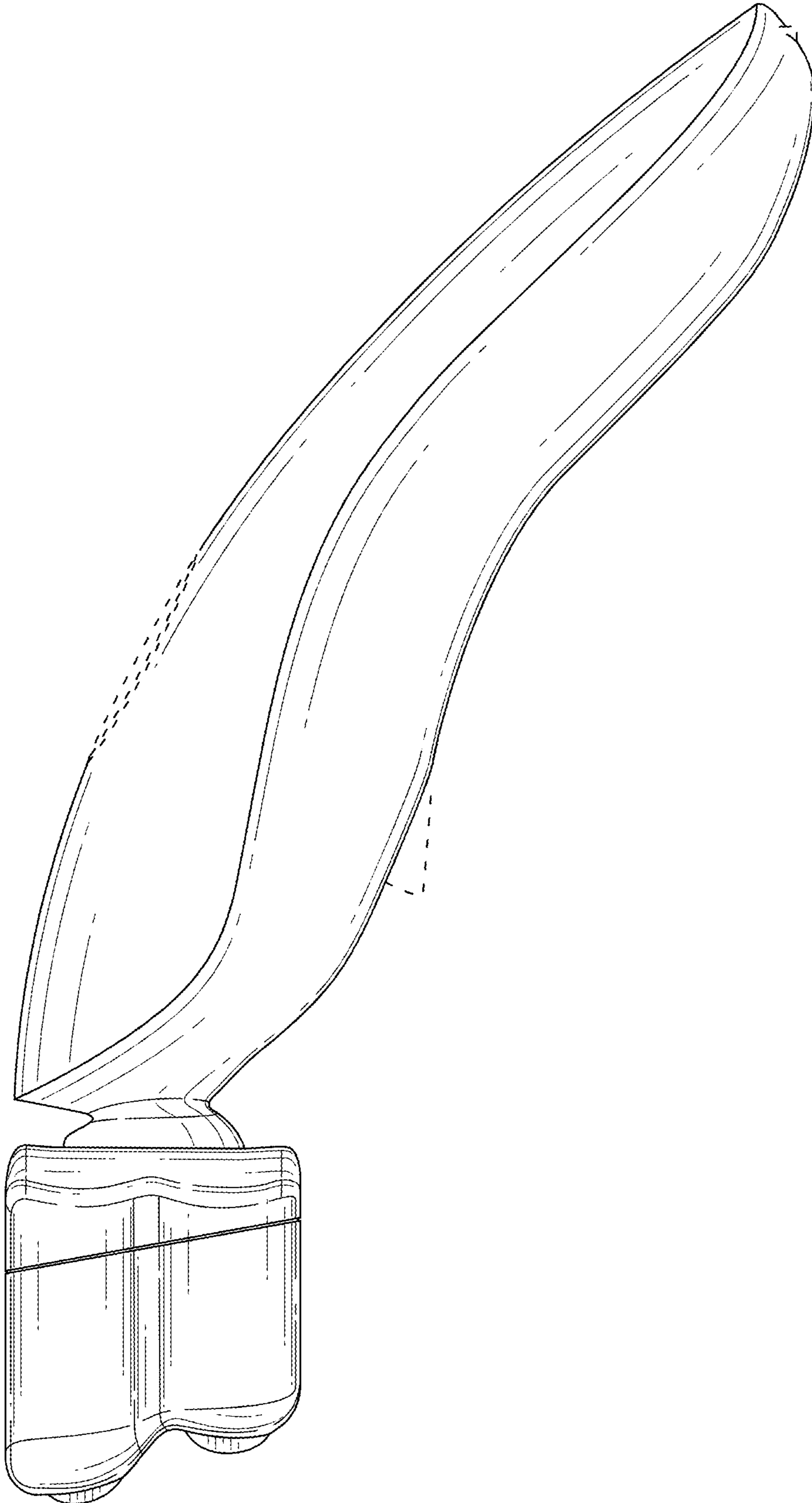


FIG. 10



FIG. 11