



US00D979840S

(12) **United States Design Patent** (10) **Patent No.:** **US D979,840 S**
Zhang (45) **Date of Patent:** **** Feb. 28, 2023**

(54) **ELECTRIC HAIR STRAIGHTENER**

CN 305778014 * 5/2020
CN 306081581 * 9/2020
EM 008212880-0001 * 10/2020

(71) Applicant: **Lin Zhang**, Shenzhen (CN)

(72) Inventor: **Lin Zhang**, Shenzhen (CN)

(73) Assignee: **Lin Zhang**, Shenzhen (CN)

(**) Term: **15 Years**

(21) Appl. No.: **29/751,676**

(22) Filed: **Sep. 23, 2020**

(51) **LOC (14) Cl.** **28-03**

(52) **U.S. Cl.**
USPC **D28/35; D4/100**

(58) **Field of Classification Search**
CPC A45D 20/00; A45D 20/08; A45D 20/50;
A45D 20/52
See application file for complete search history.

(56) **References Cited**

U.S. PATENT DOCUMENTS

D604,011	S	*	11/2009	Leung	D28/13
D609,857	S	*	2/2010	Schmitz	D28/35
D765,911	S	*	9/2016	Hollinger	D28/35
D766,504	S	*	9/2016	Hollinger	D28/35
D771,310	S	*	11/2016	He	D28/35
D882,957	S	*	5/2020	Huang	D28/35
D919,885	S	*	5/2021	Liang	D28/35
D933,957	S	*	10/2021	Guo	D28/35
D934,501	S	*	10/2021	Huang	D28/35
D953,743	S	*	6/2022	Yang	D28/35
2012/0080047	A1	*	4/2012	Glucksman	A45D 20/48 132/223
2015/0122286	A1	*	5/2015	Valle	A45D 2/002 132/229
2016/0360847	A1	*	12/2016	He	A45D 24/16

FOREIGN PATENT DOCUMENTS

CN	305218855	*	6/2019
CN	305747711	*	4/2020

OTHER PUBLICATIONS

Youtelit Hair Straightener Brush [on-line]. [Original publication date unknown.] [Retrieved from Internet Oct. 19, 2022.] URL: <https://www.amazon.com/Youtelit-Straightener-Straightening-Settings-Anti-Scald/dp/B09R47H4GK/ref=sr_1_34_sspa?adgrpid=1337006715056310&hvadid=83563158918044&hvbmt=bb&hvdev=c&hvlocphy=90378&hvnetw=o&hvqmt=b&hvtargid=kwd-83563288152101%3Aloc-190&hydadcr=14139_13388434&keywords=l+ange+hair+brush+straightener&qid=1666199122&queryJxc2MiOilxLjc5liwicXNhljoiMS4zNylslnFzcCI6ljEuMDAifQ%3D%3D&sr=8-34-spons&psc=1#customerReviews> (Year: 2022).*

* cited by examiner

Primary Examiner — Karen E Eldridge Powers

(74) *Attorney, Agent, or Firm* — Nitin Kaushik

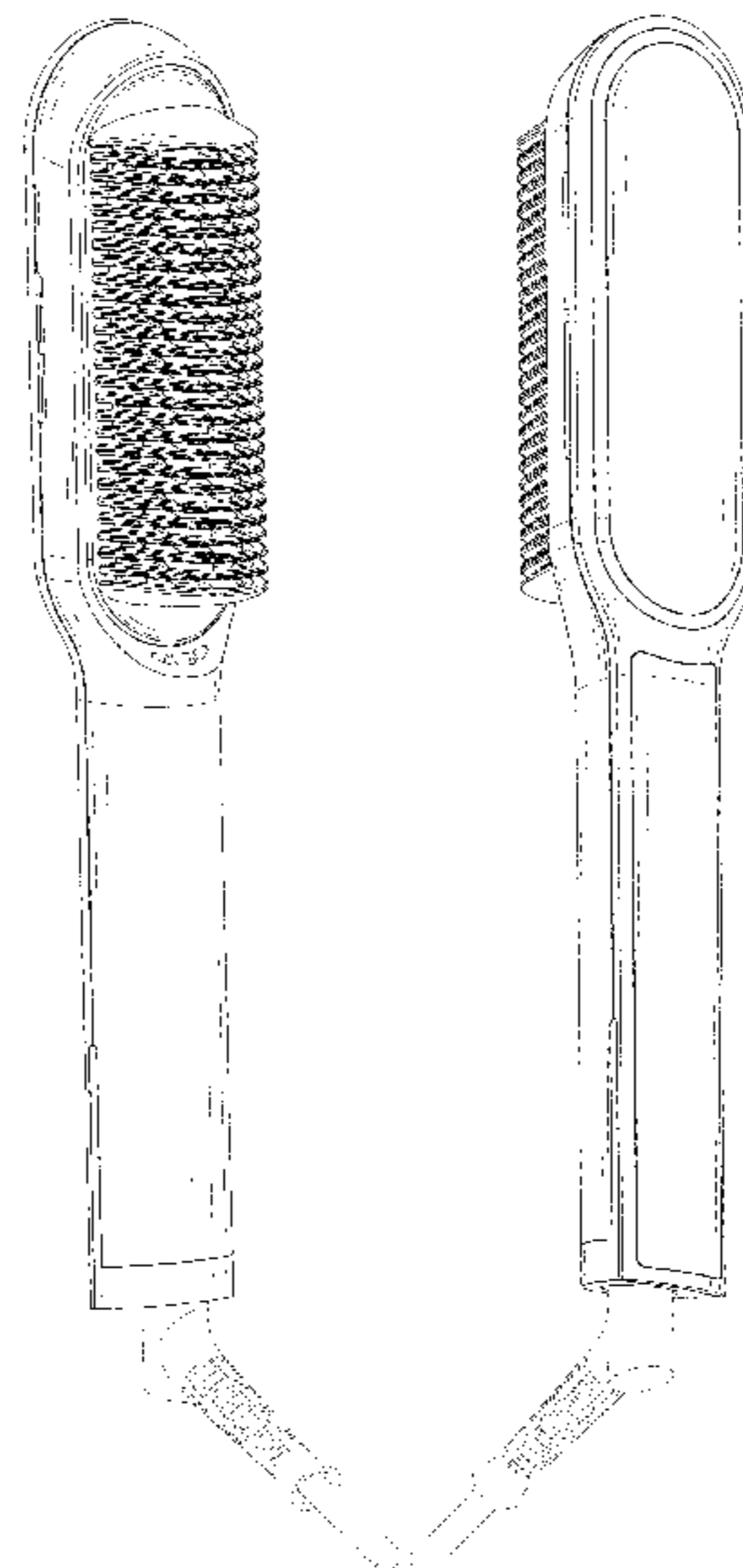
(57) **CLAIM**

The ornamental design for an electric hair straightener, as shown and described.

DESCRIPTION

FIG. 1 is a front, top and left side perspective view of an electric hair straightener showing my new design; FIG. 2 is a rear, bottom and right side perspective view thereof; FIG. 3 is a front elevational view thereof; FIG. 4 is a rear elevational view thereof; FIG. 5 is a left side elevational view thereof; FIG. 6 is a right side elevational view thereof; FIG. 7 is a top plan view thereof; and, FIG. 8 is a bottom plan view thereof. The broken lines in the drawings depict portions of the electric hair straightener that form no part of the claimed design.

1 Claim, 8 Drawing Sheets



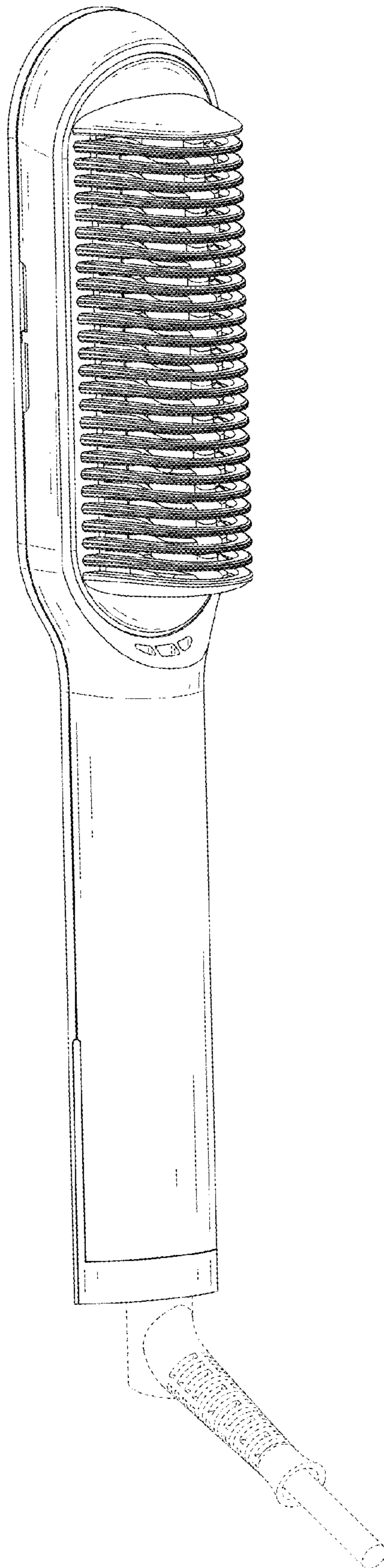


FIG. 1

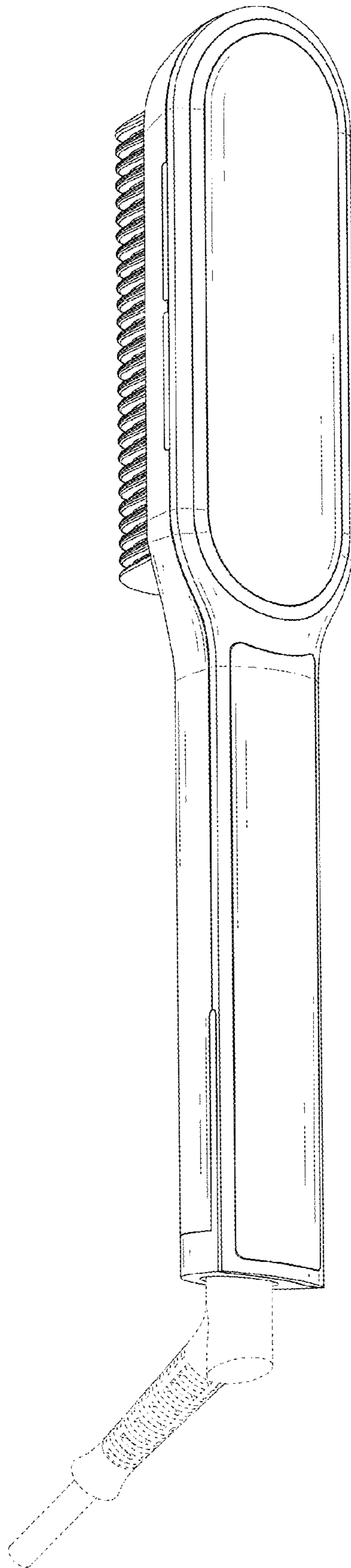


FIG. 2

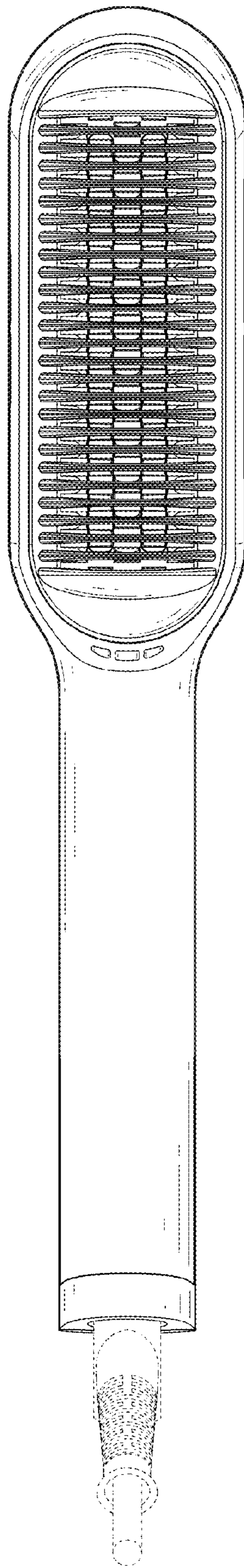


FIG. 3

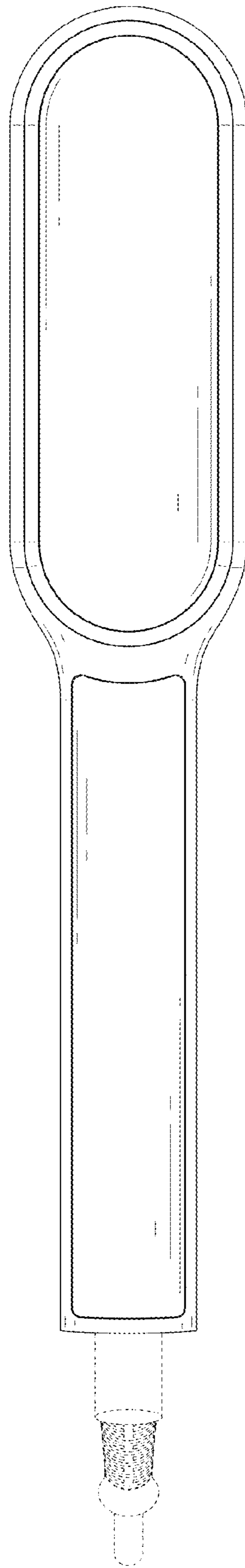


FIG. 4

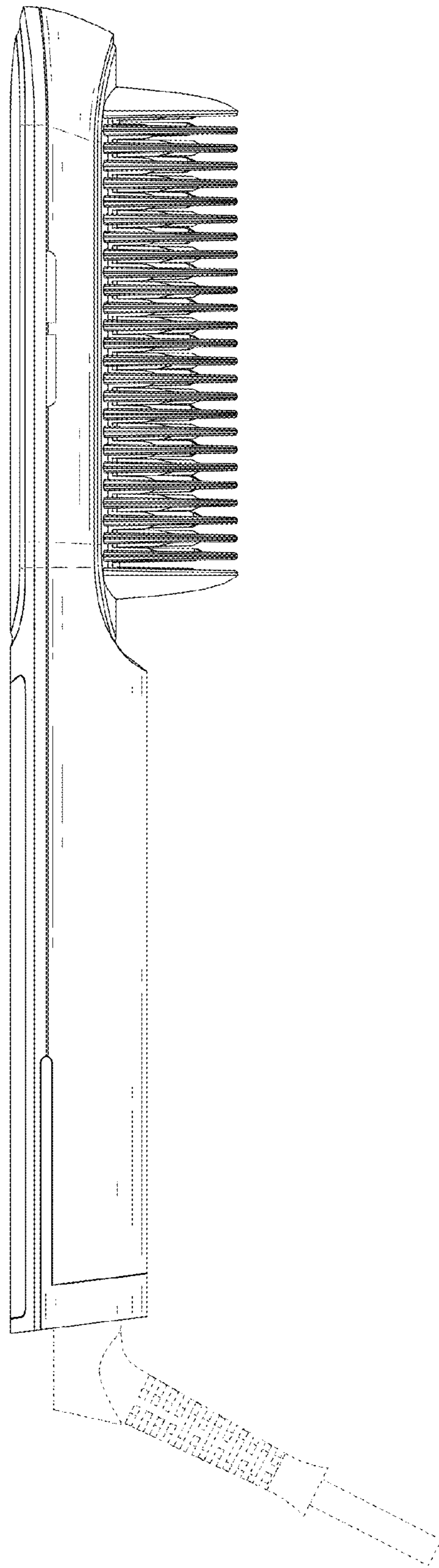


FIG. 5

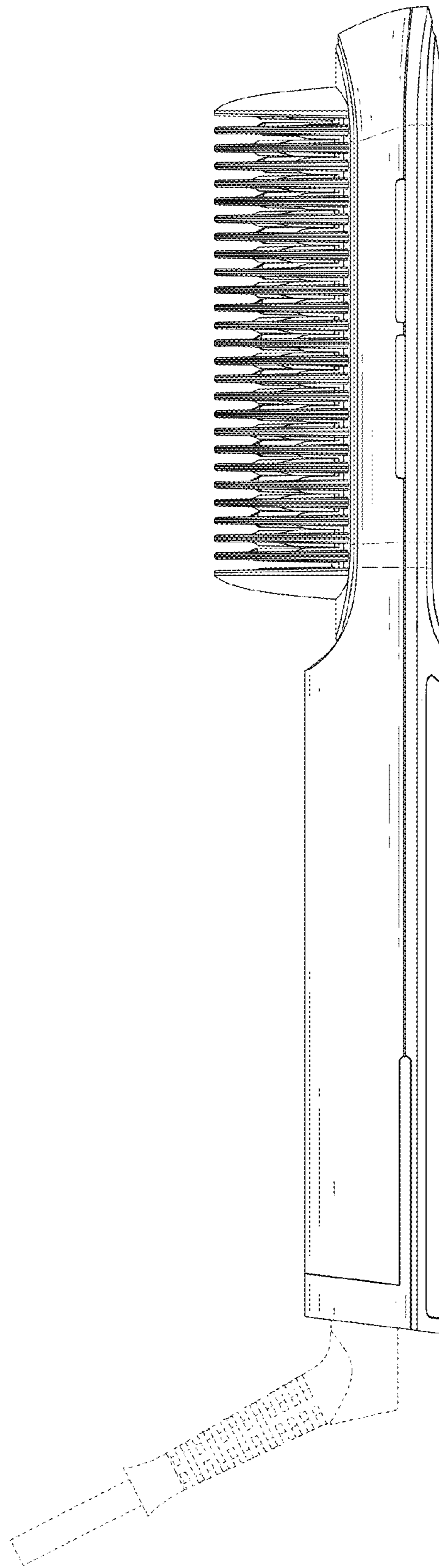


FIG. 6

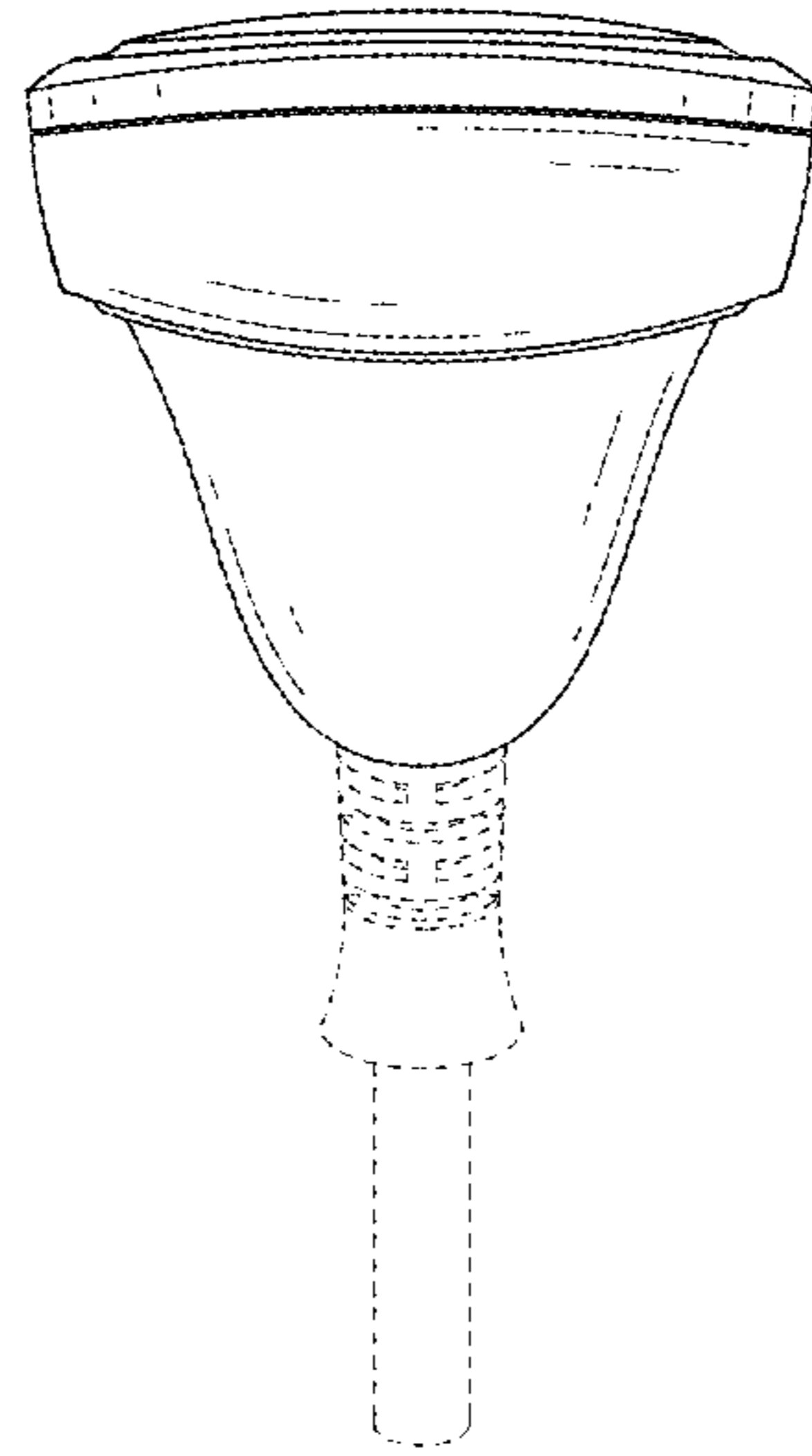


FIG. 7

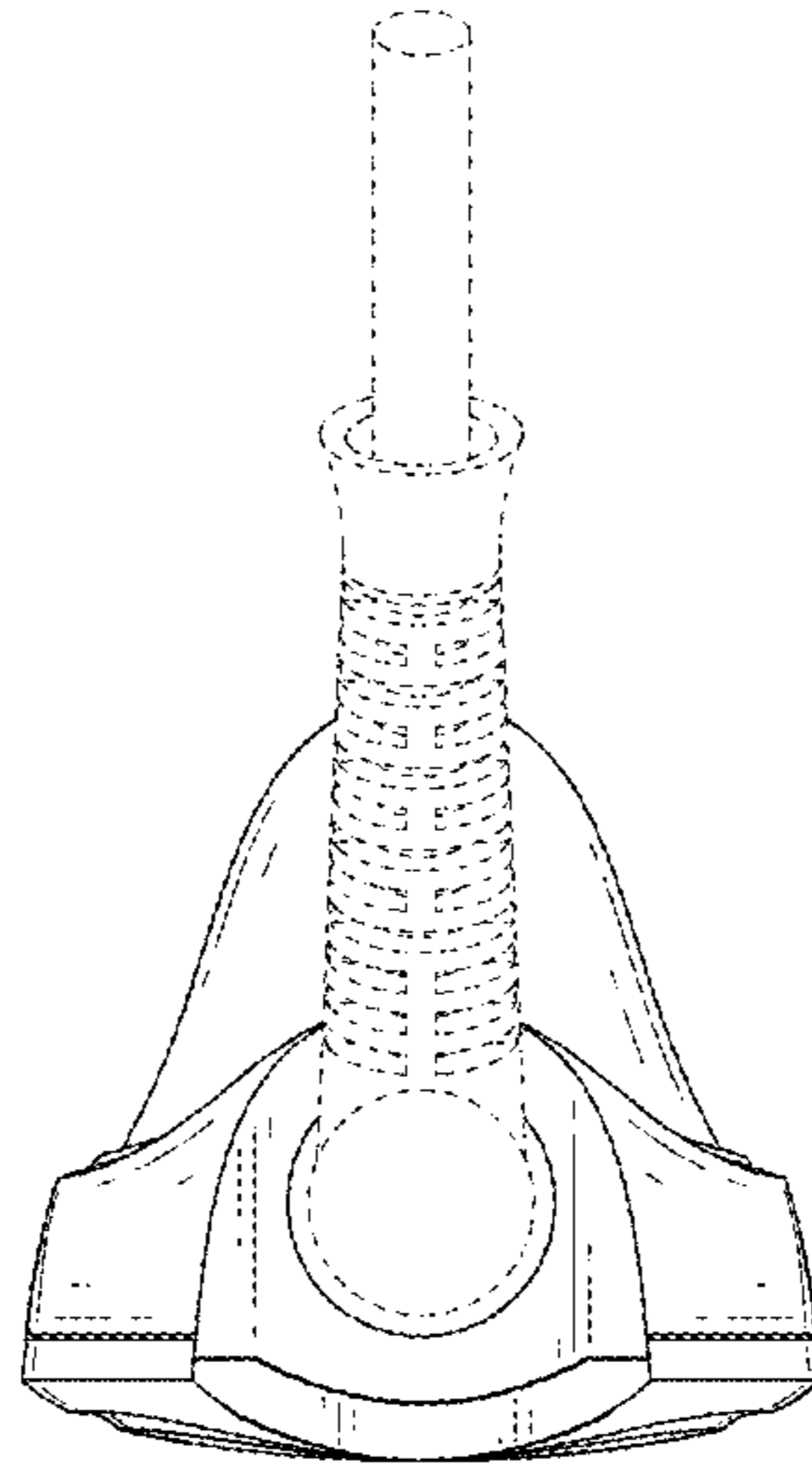


FIG. 8