



US00D979836S

(12) **United States Design Patent** (10) **Patent No.:** **US D979,836 S**  
**Yan** (45) **Date of Patent:** **\*\* Feb. 28, 2023**

(54) **COCKTAIL SMOKER**  
(71) Applicant: **Jiujiang Boyue Furniture Co., Ltd.,**  
Jiangxi (CN)  
(72) Inventor: **Heqing Yan, Jiangxi (CN)**  
(\*\*) Term: **15 Years**  
(21) Appl. No.: **29/834,112**  
(22) Filed: **Apr. 10, 2022**  
(51) **LOC (14) Cl.** ..... **27-02**  
(52) **U.S. Cl.**  
USPC ..... **D27/172**  
(58) **Field of Classification Search**  
USPC ..... D27/172, 170, 100, 103, 162-165, 167,  
D27/168, 169, 180, 181, 183, 194;  
D7/332, 337, 334, 330, 328, 409;  
D11/131.1, 143, 15; D26/22, 9, 19  
CPC ..... A23B 4/044; A23B 4/052; A23B 4/0523;  
A23B 4/005; A24F 1/00; A24F 1/30;  
A24F 1/02  
See application file for complete search history.

(56) **References Cited**  
U.S. PATENT DOCUMENTS  
4,089,633 A \* 5/1978 Barghout ..... F23L 7/005  
431/208  
4,133,628 A \* 1/1979 Morrison ..... F23L 7/005  
123/25 R  
D525,583 S \* 7/2006 Vu ..... D13/108  
D621,495 S \* 8/2010 Li ..... D23/366  
D639,414 S \* 6/2011 Berndt ..... D23/366  
D693,774 S \* 11/2013 Scime ..... D13/155  
D700,227 S \* 2/2014 Kile ..... D15/150  
D710,052 S \* 7/2014 Lanča ..... D27/162  
D717,589 S \* 11/2014 Harshman ..... D7/392.1  
D741,001 S \* 10/2015 Alarcon ..... D27/194  
D752,435 S \* 3/2016 Willows ..... D9/447  
D760,963 S \* 7/2016 Delman ..... D30/131

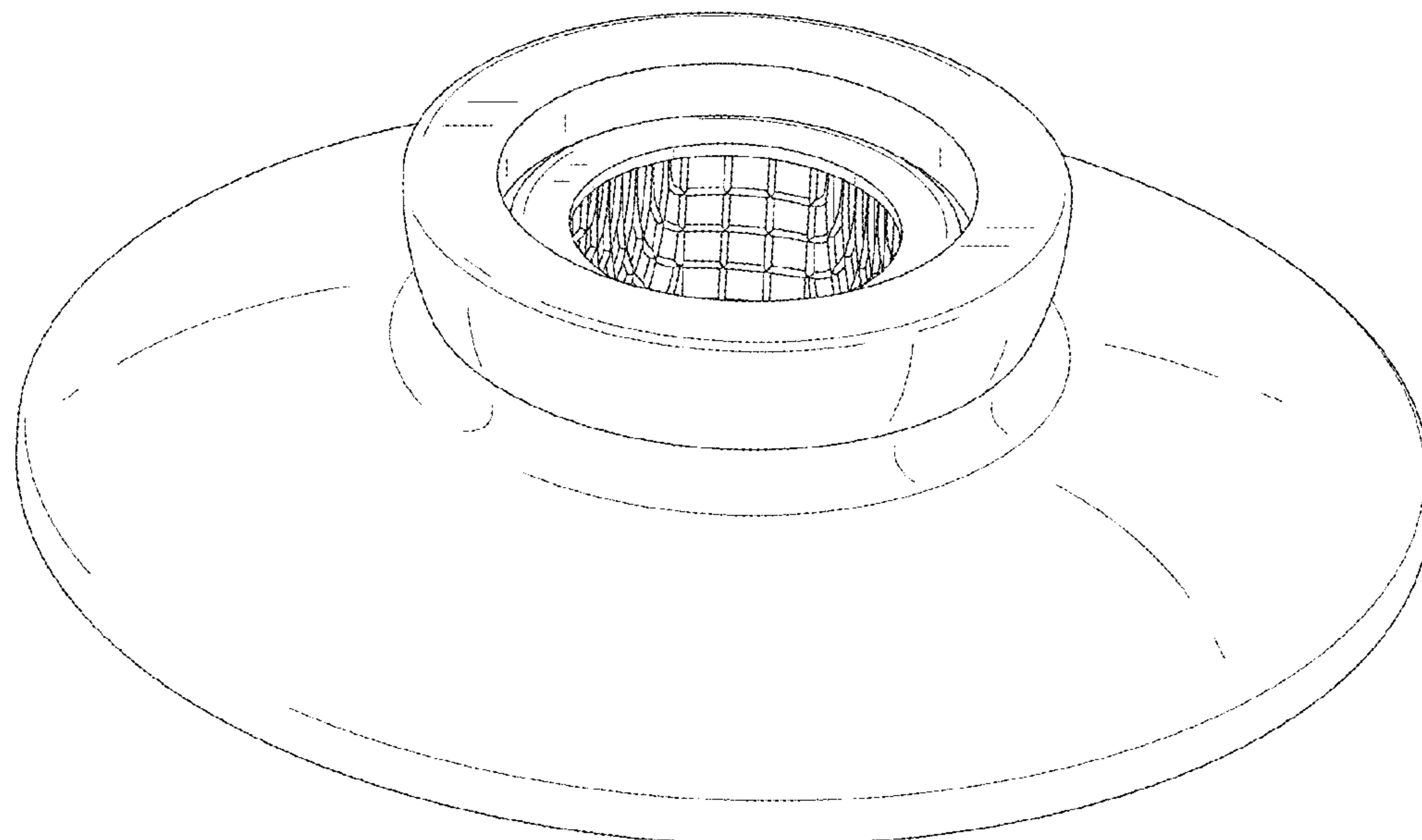
D761,055 S 7/2016 Marcorin  
D790,087 S \* 6/2017 Tyson ..... D26/22  
D872,357 S \* 1/2020 Hoch ..... D27/194  
D944,583 S \* 3/2022 Chen ..... D7/332  
D944,594 S \* 3/2022 Sumner ..... D7/409  
D946,823 S \* 3/2022 Fornarelli ..... D27/167  
D964,641 S \* 9/2022 Han ..... D27/162  
D965,214 S \* 9/2022 Xue ..... D27/162  
2021/0227842 A1 \* 7/2021 Middleton ..... A21B 1/28  
2021/0235749 A1 \* 8/2021 Fischer ..... A24F 1/00  
2021/0337861 A1 \* 11/2021 Han ..... A24F 1/26  
2022/0235301 A1 \* 7/2022 Oliver ..... A23B 4/052

\* cited by examiner  
*Primary Examiner* — Rebecca Tsehaye  
(74) *Attorney, Agent, or Firm* — Che-Yang Chen; Law  
Office of Michael Chen

(57) **CLAIM**  
The ornamental design for a cocktail smoker, as shown and  
described.

**DESCRIPTION**  
FIG. 1 is a perspective view of the cocktail smoker showing  
my new design;  
FIG. 2 is a perspective view thereof from another angle;  
FIG. 3 is a front elevational view thereof;  
FIG. 4 is a rear elevational view thereof;  
FIG. 5 is a left side elevational view thereof;  
FIG. 6 is a right side elevational view thereof;  
FIG. 7 is a top plan view thereof;  
FIG. 8 is a bottom plan view thereof;  
FIG. 9 is an exploded perspective view of the cocktail  
smoker;  
FIG. 10 is a cutaway view of a portion indicated with  
numeric 10 in FIG. 3; and,  
FIG. 11 is a cutaway view of a portion indicated with  
numeric 11 in FIG. 9.

**1 Claim, 11 Drawing Sheets**



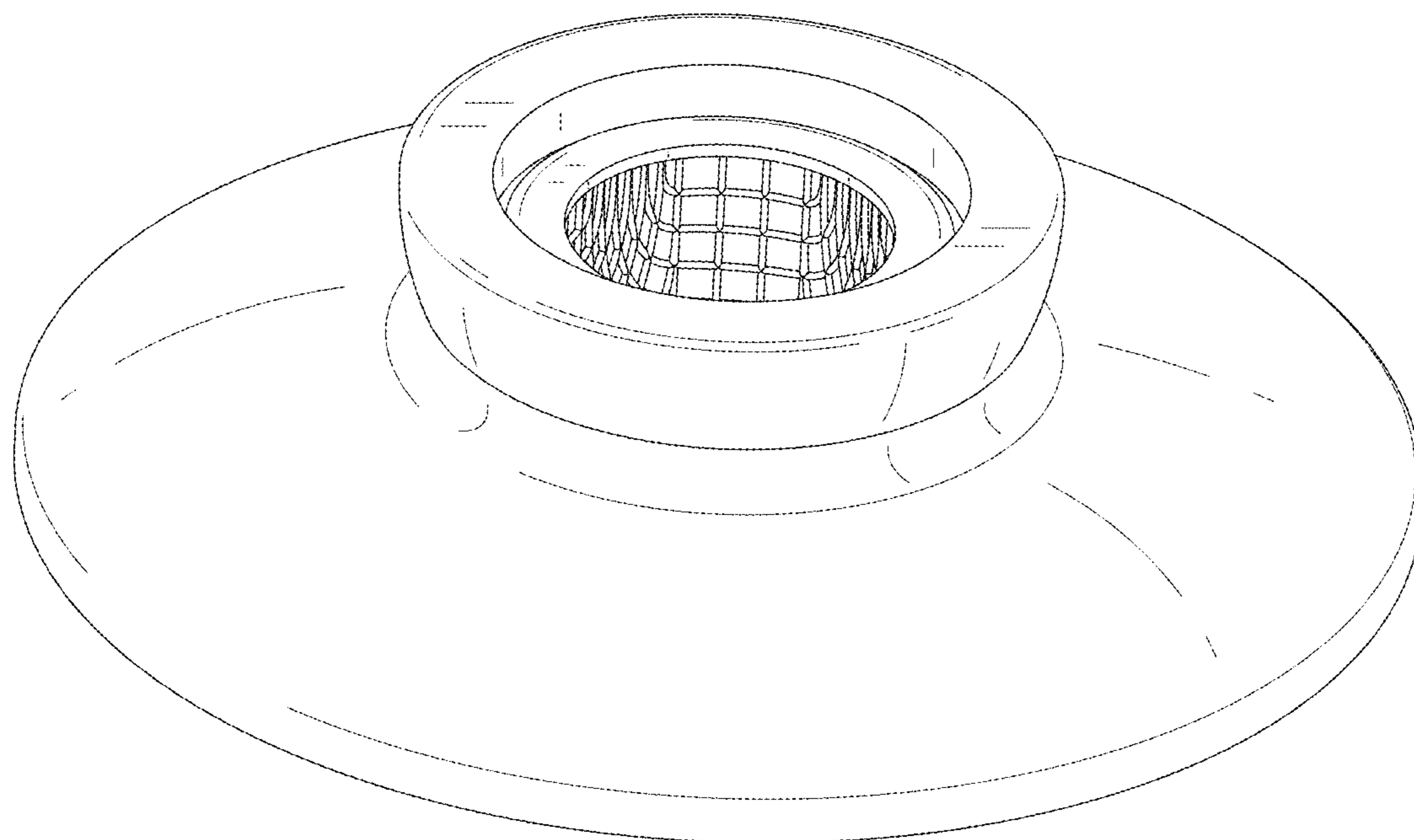


FIG. 1

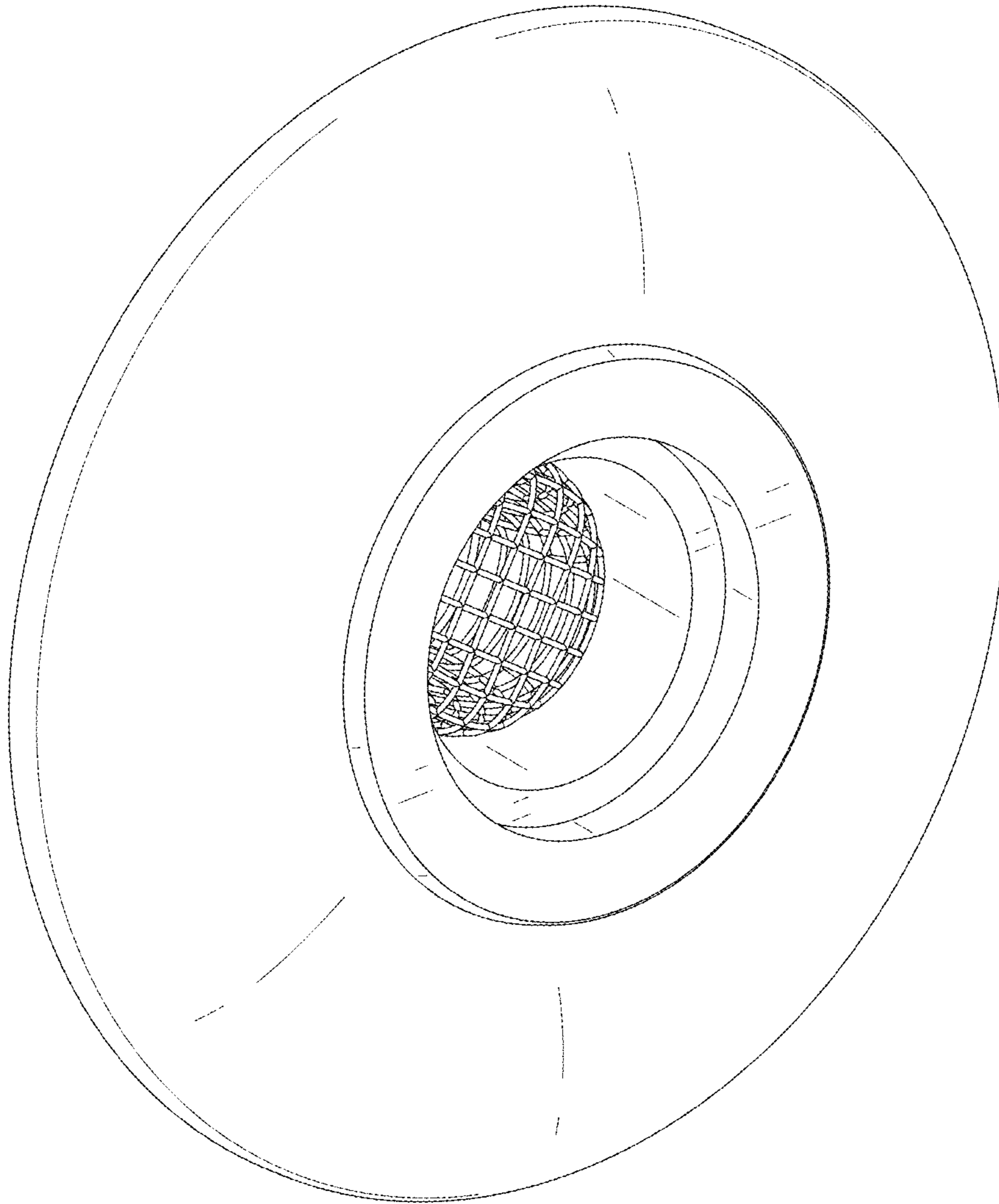


FIG. 2

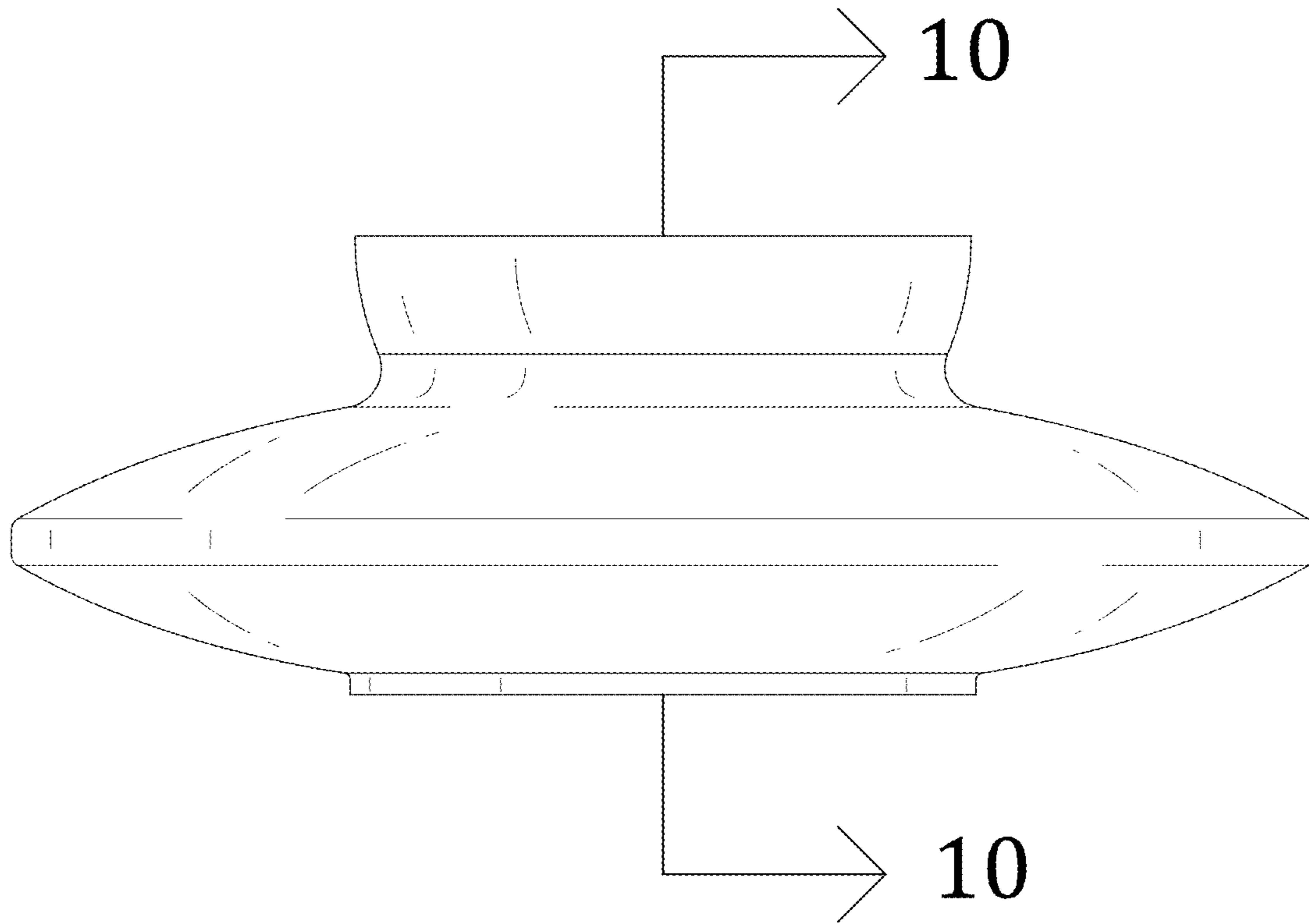


FIG. 3

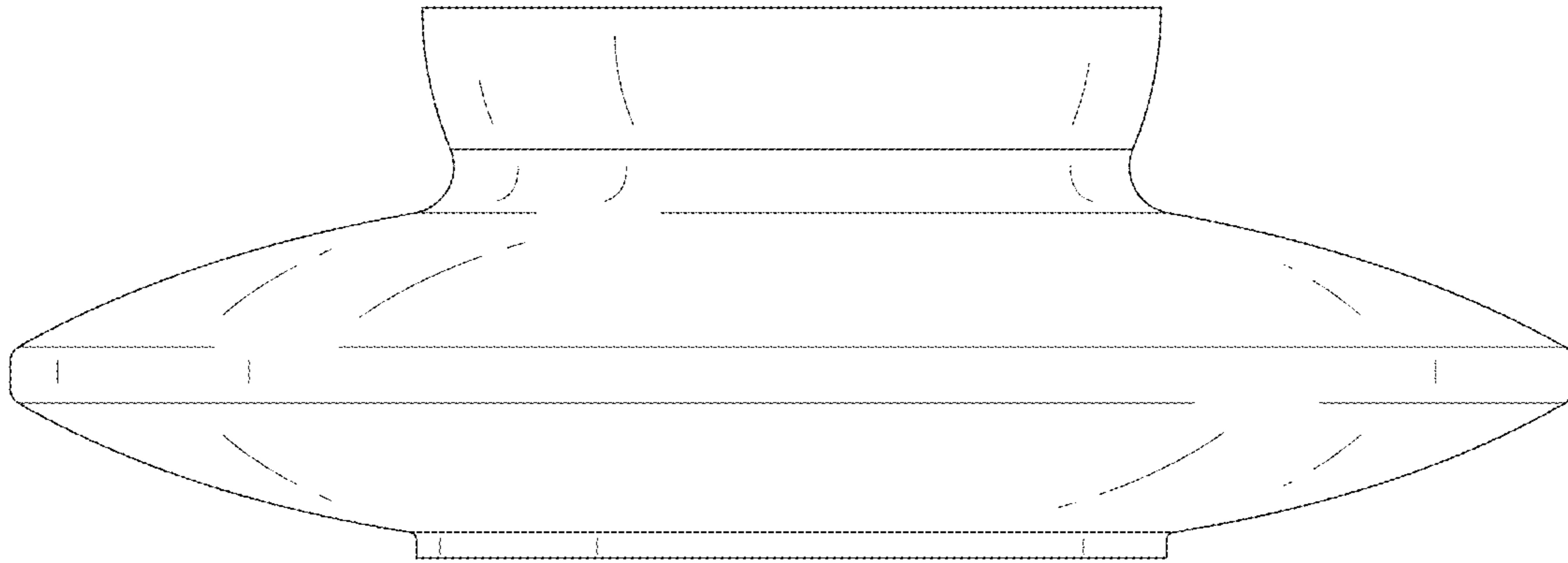


FIG. 4

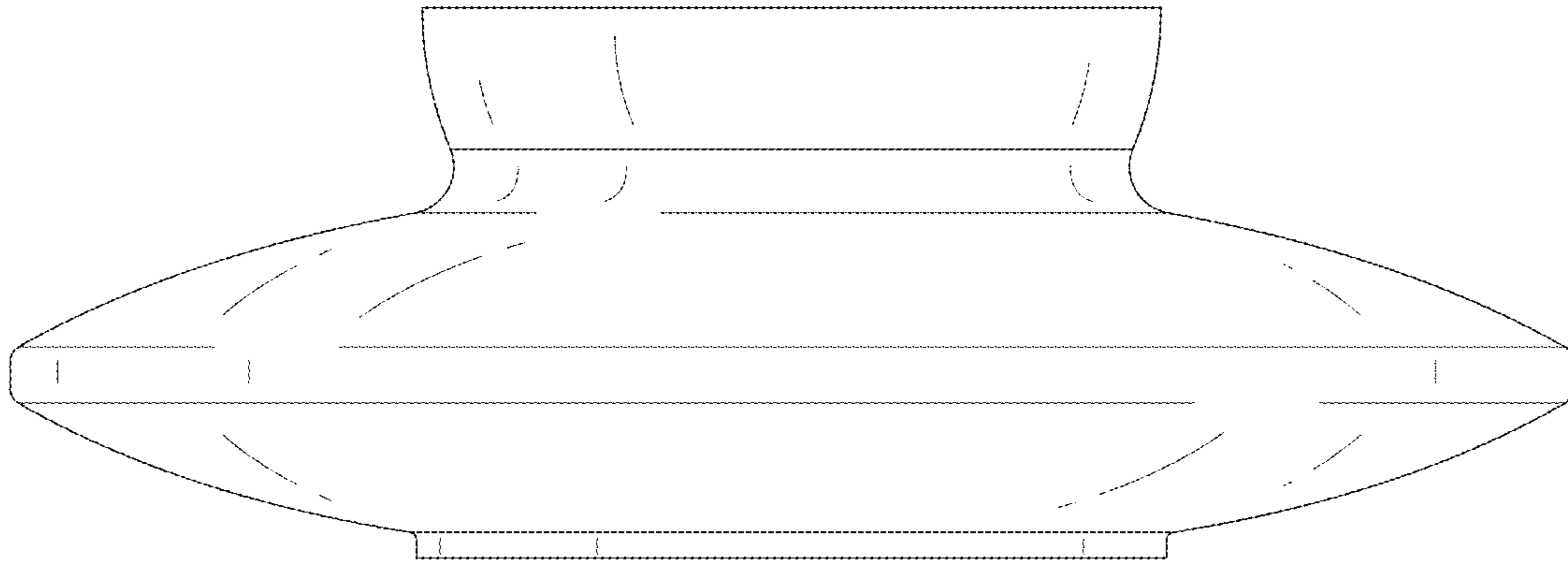


FIG. 5

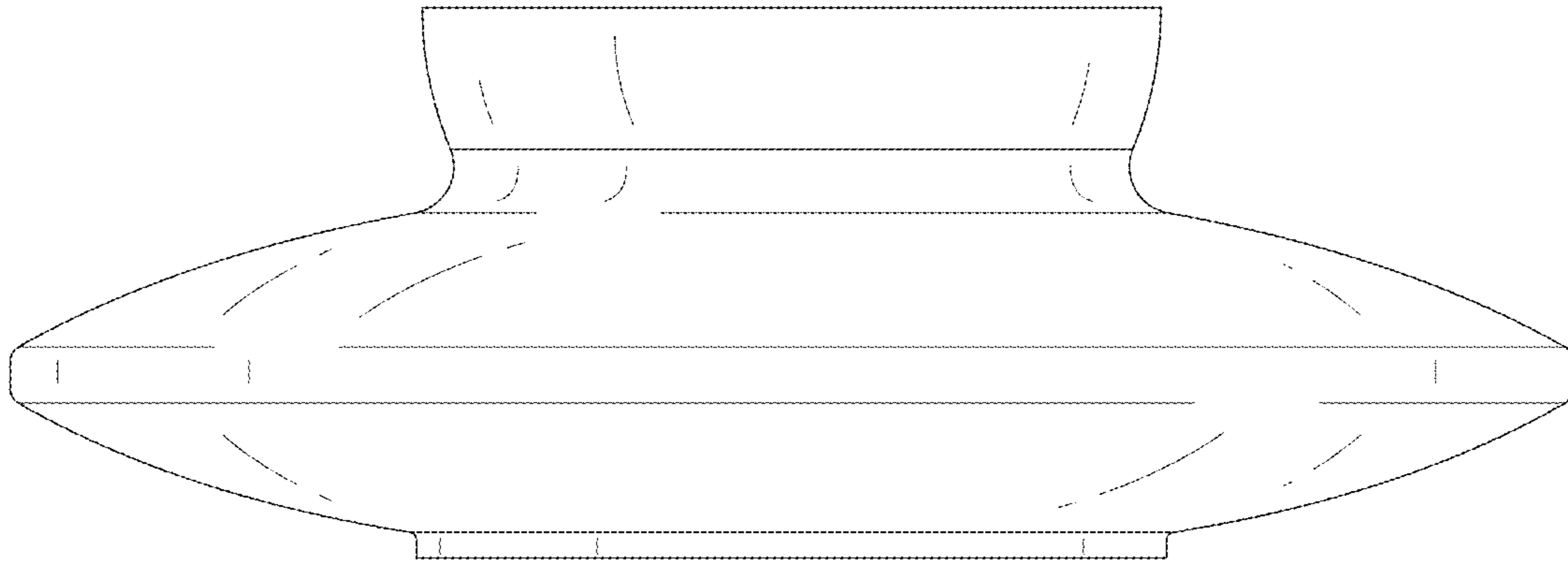


FIG. 6

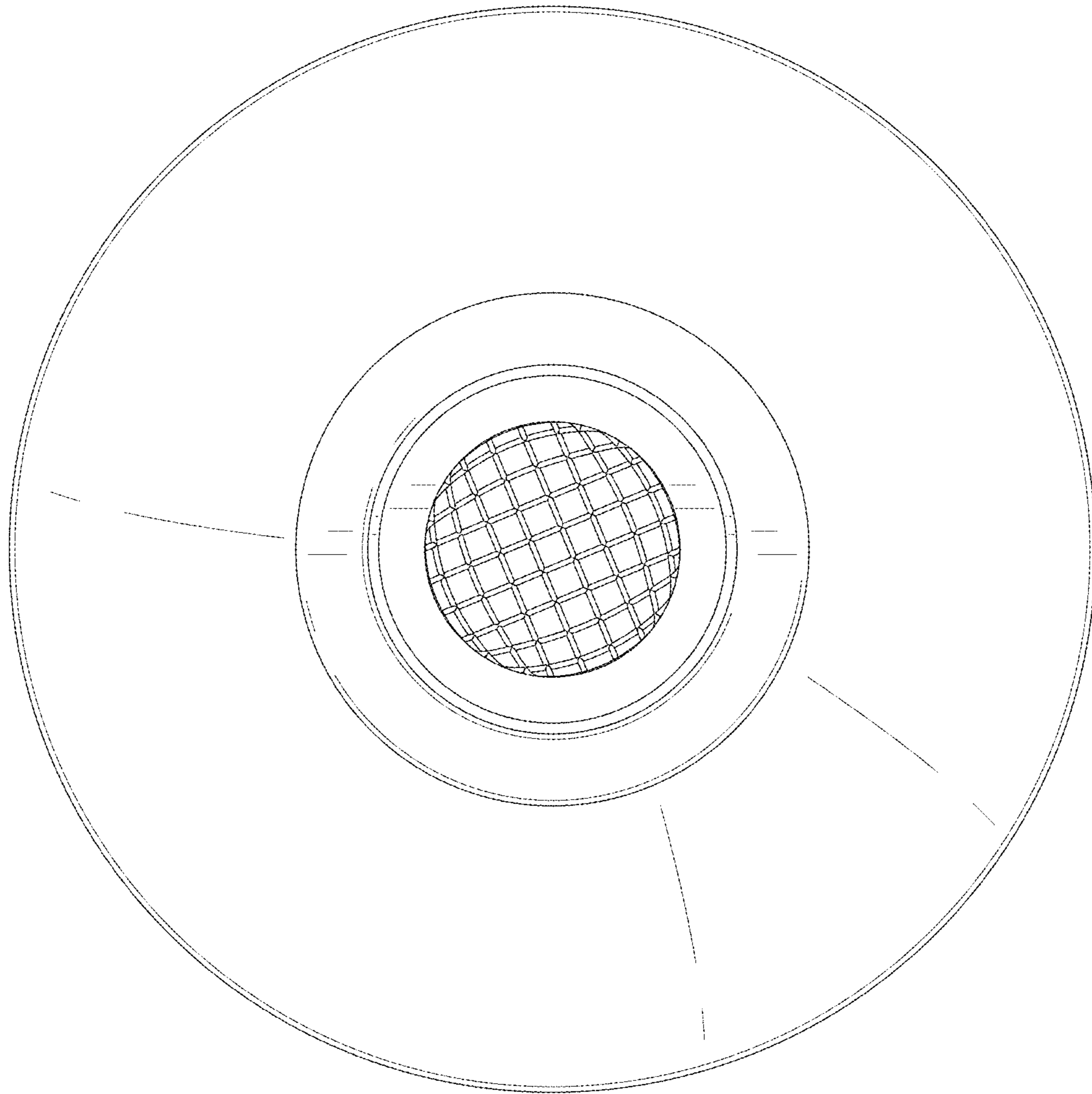


FIG. 7



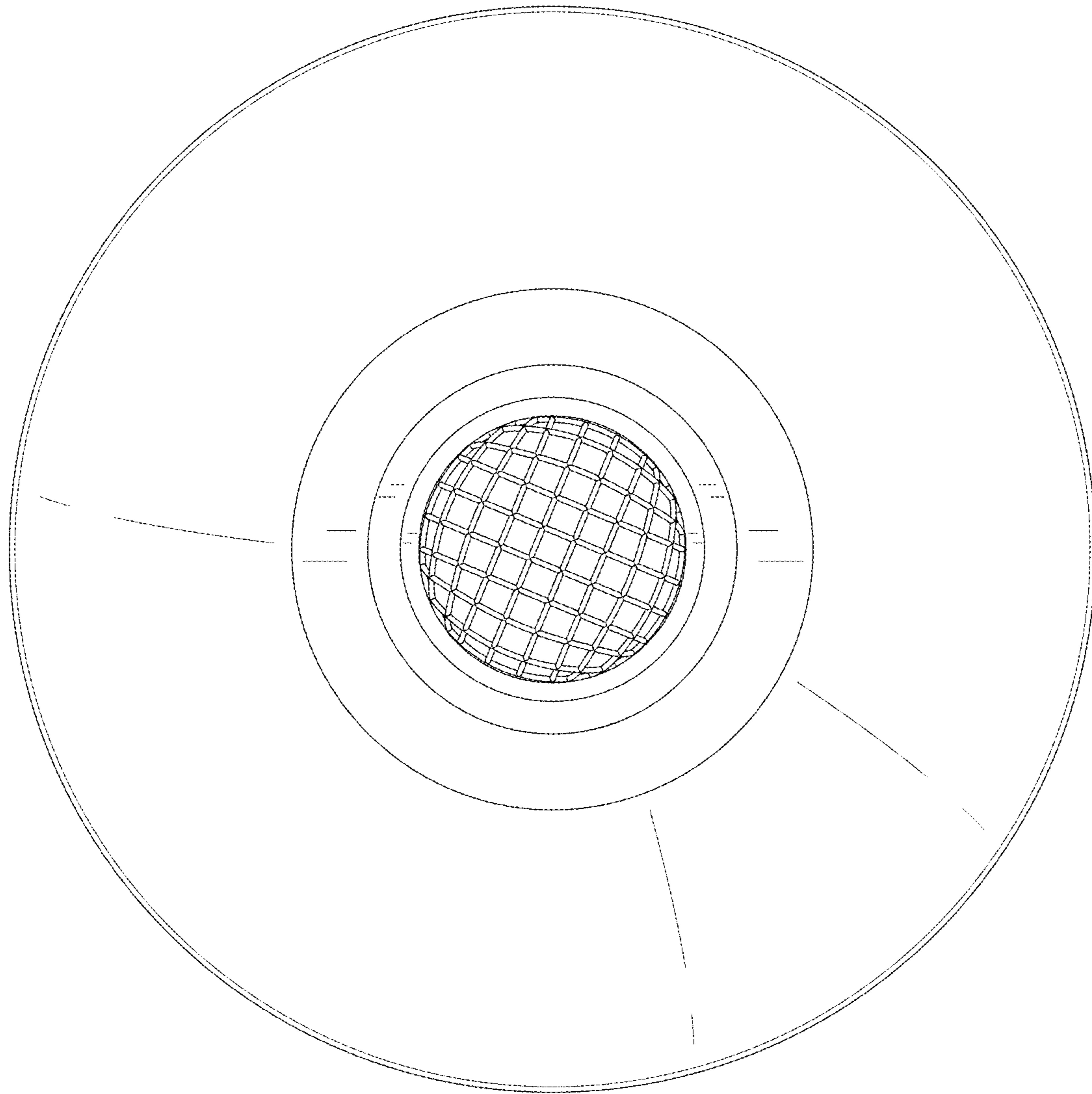


FIG. 8

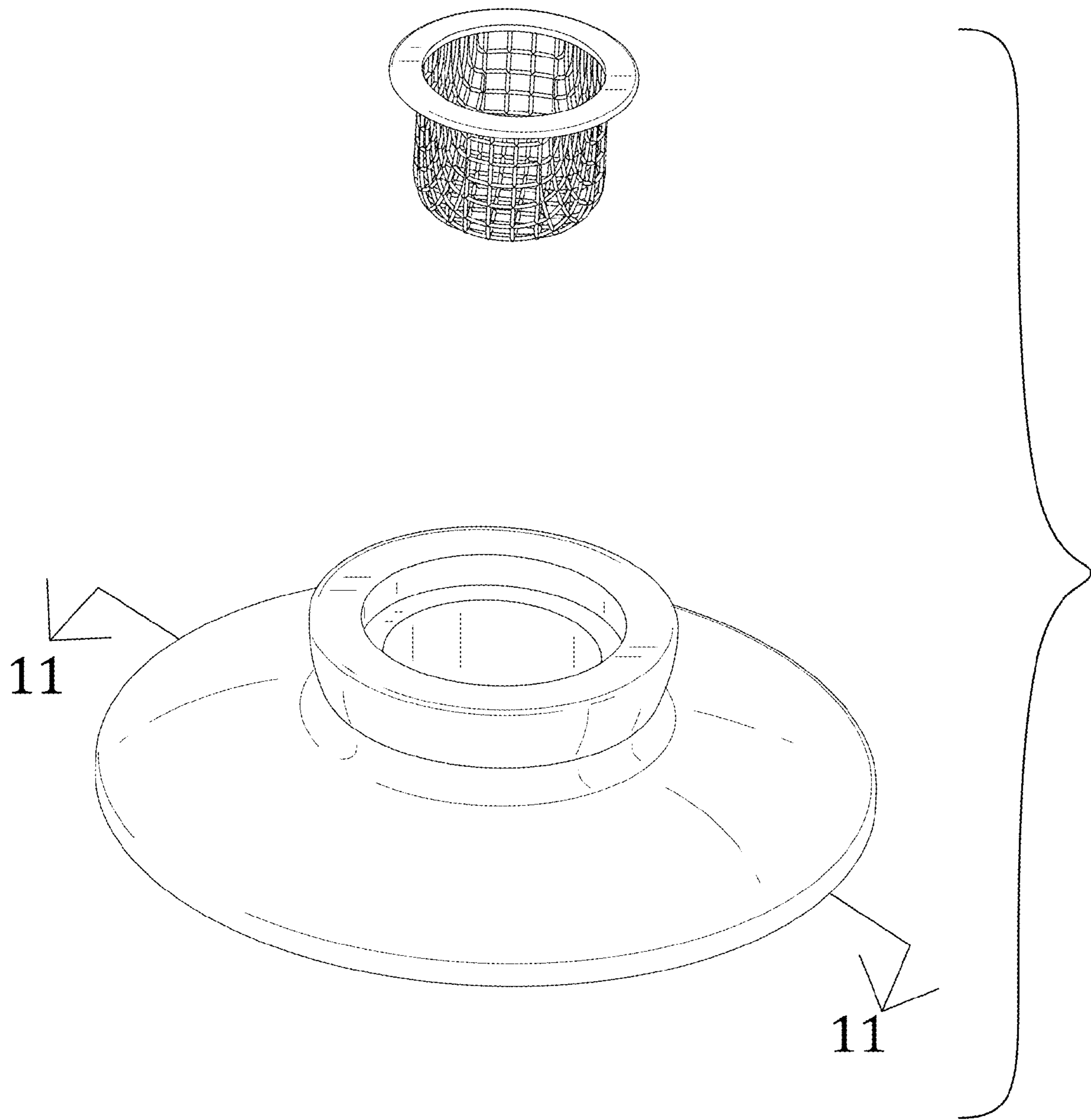


FIG. 9

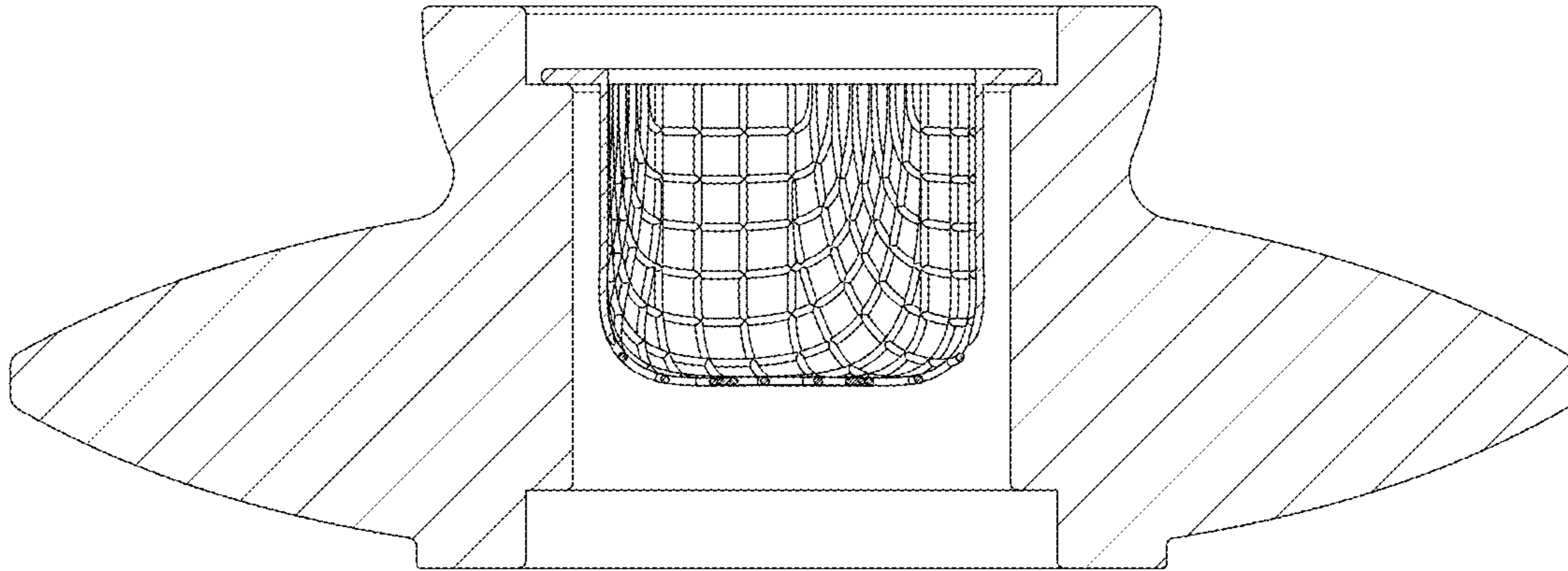


FIG. 10

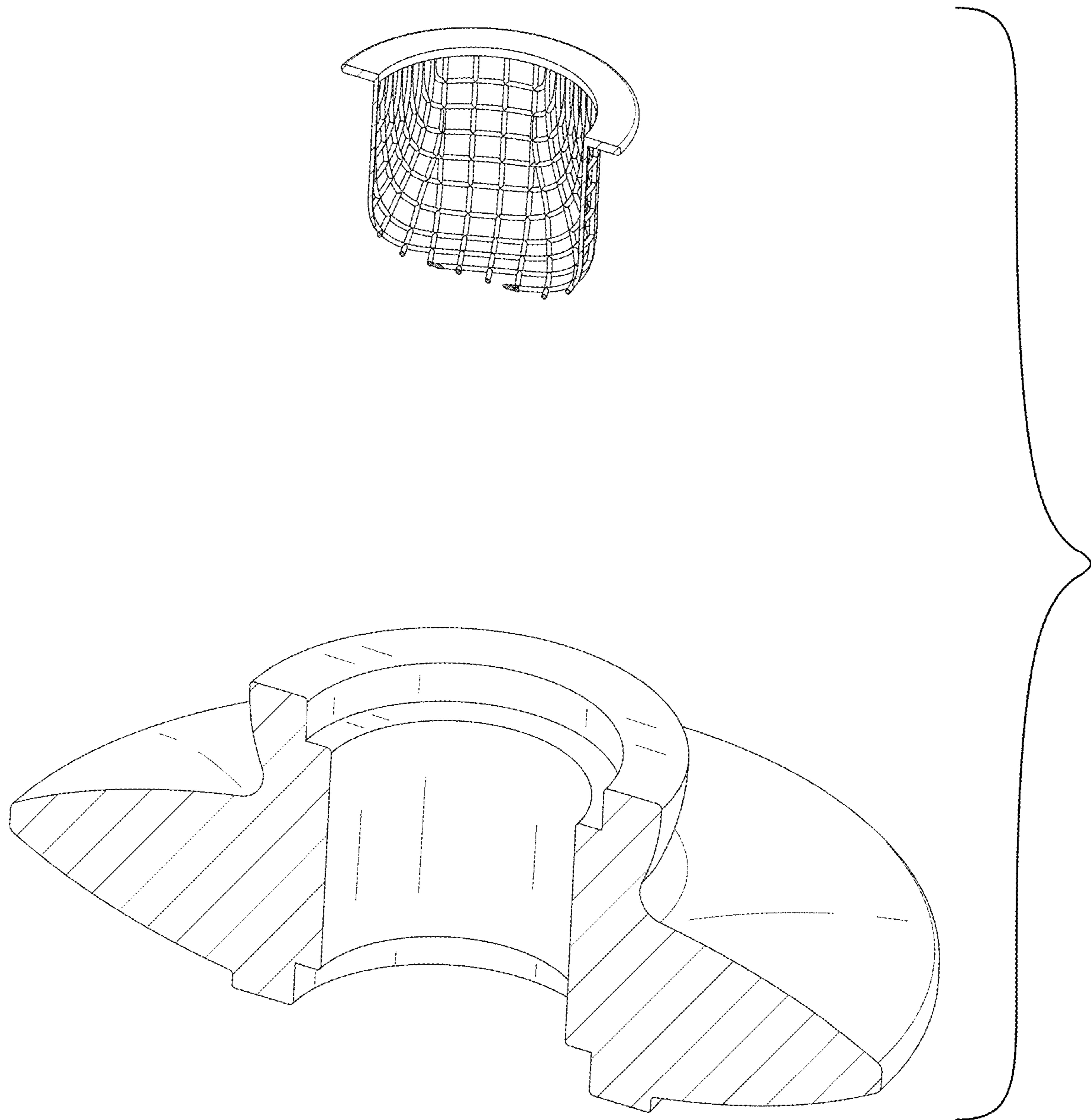


FIG. 11