



US00D979834S

(12) **United States Design Patent** (10) **Patent No.:** **US D979,834 S**  
**Kim** (45) **Date of Patent:** **\*\* Feb. 28, 2023**

(54) **ELECTRONIC CIGARETTE**  
(71) Applicant: **KT & G CORPORATION**, Daejeon (KR)  
(72) Inventor: **Min Chul Kim**, Yongin-si (KR)  
(73) Assignee: **KT & G CORPORATION**, Daejeon (KR)

D917,777 S *	4/2021	Kim	.....	D27/101
D924,474 S *	7/2021	Huang	.....	D27/162
D930,893 S *	9/2021	Powell	.....	D27/162
D942,676 S *	2/2022	Kim	.....	D27/162
D942,677 S *	2/2022	Walker	.....	D27/162
D949,468 S *	4/2022	Michaud	.....	D27/162
D955,634 S *	6/2022	Wu	.....	D27/162
11,363,839 B2 *	6/2022	An	.....	A24F 40/46
D958,448 S *	7/2022	Kim	.....	D27/162
D959,738 S *	8/2022	Tung	.....	D27/172

(\*\*) Term: **15 Years**  
(21) Appl. No.: **29/787,009**  
(22) Filed: **Jun. 3, 2021**

\* cited by examiner  
*Primary Examiner* — Rebecca Tsehaye  
(74) *Attorney, Agent, or Firm* — Novick, Kim & Lee PLLC; Jae Youn Kim

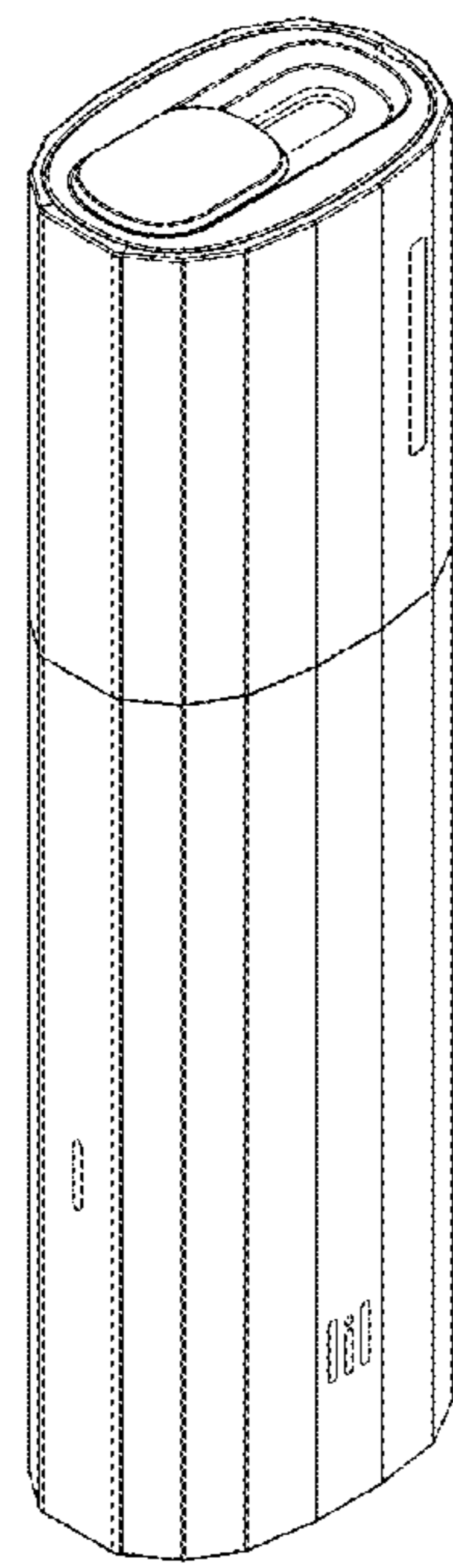
(30) **Foreign Application Priority Data**  
Dec. 3, 2020 (KR) ..... 30-2020-0059522  
(51) **LOC (14) Cl.** ..... **27-01**  
(52) **U.S. Cl.**  
USPC ..... **D27/101**  
(58) **Field of Classification Search**  
USPC ..... D27/101, 100, 162–169, 172, 180–183,  
D27/185–194; D24/110, 110.5;  
D13/107; D23/360  
CPC ..... A24F 1/30; A24F 1/02; A24F 1/00; A24F  
47/008; A24F 47/002  
See application file for complete search history.

(57) **CLAIM**  
I claim the ornamental design for an electronic cigarette, as shown and described.

(56) **References Cited**  
U.S. PATENT DOCUMENTS  
D752,285 S \* 3/2016 Doster ..... D27/189  
D792,643 S \* 7/2017 Wong ..... D27/101  
D860,517 S \* 9/2019 Qiu ..... D27/101  
D870,372 S \* 12/2019 Zhu ..... D27/167  
D898,991 S \* 10/2020 Pan ..... D27/162  
D905,901 S \* 12/2020 Kim ..... D27/101  
D910,911 S \* 2/2021 Kim ..... D27/162

**DESCRIPTION**  
FIG. 1 is a top, front, right side perspective view of an electronic cigarette, showing my new design;  
FIG. 2 is a bottom, front, right side perspective view thereof;  
FIG. 3 is a front elevational view thereof;  
FIG. 4 is a rear elevational view thereof;  
FIG. 5 is a left side elevational view thereof, a right side elevational view thereof being a mirror image of the left side elevational view;  
FIG. 6 is a top plan view thereof;  
FIG. 7 is a bottom plan view thereof;  
FIG. 8 is a reference perspective view thereof showing a top cover in an open configuration; and,  
FIG. 9 is a top reference perspective view of the electronic cigarette of FIG. 1 shown in an environment of use.  
The broken lines in FIG. 9 show environmental subject matter that form no part of the claimed design.

**1 Claim, 8 Drawing Sheets**



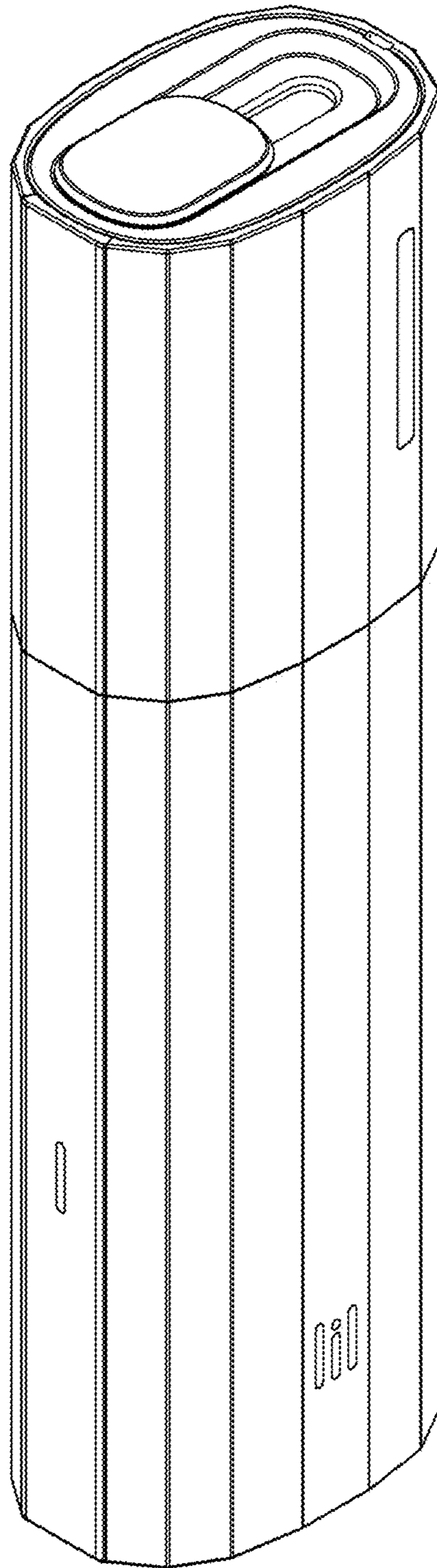


FIG. 1

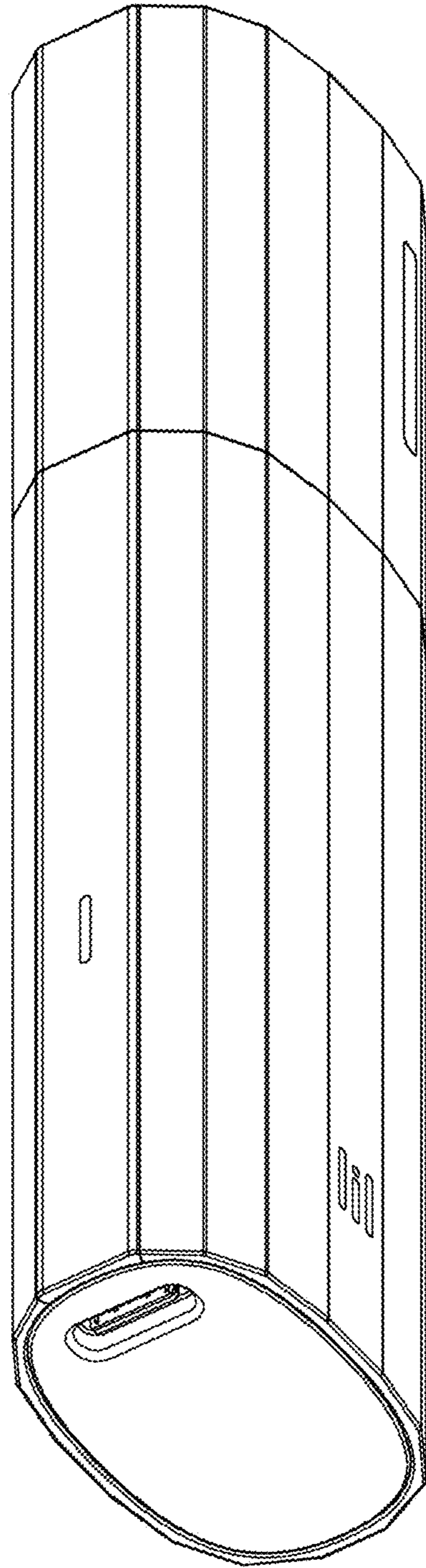


FIG. 2

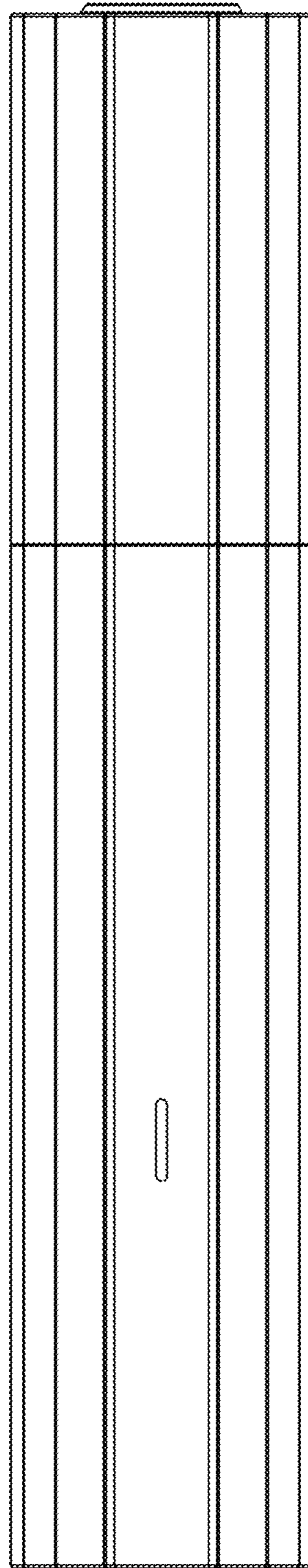


FIG. 3

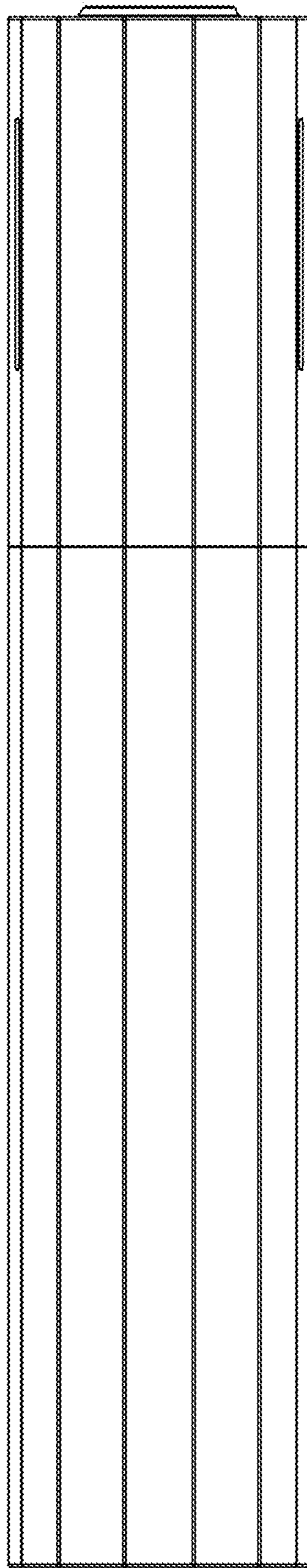


FIG. 4

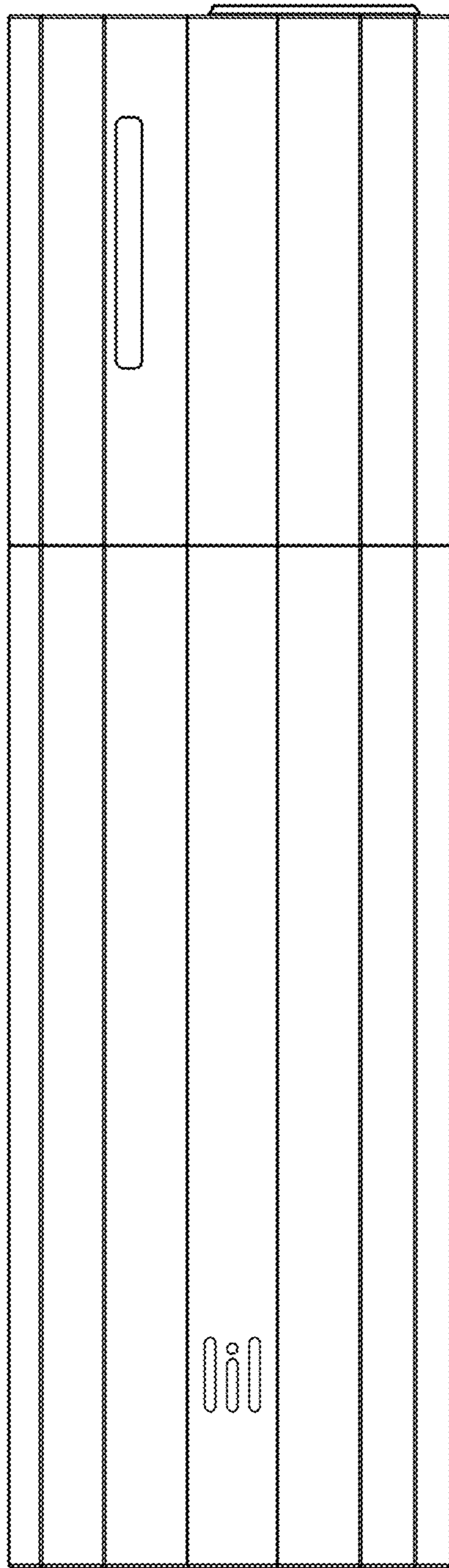


FIG. 5

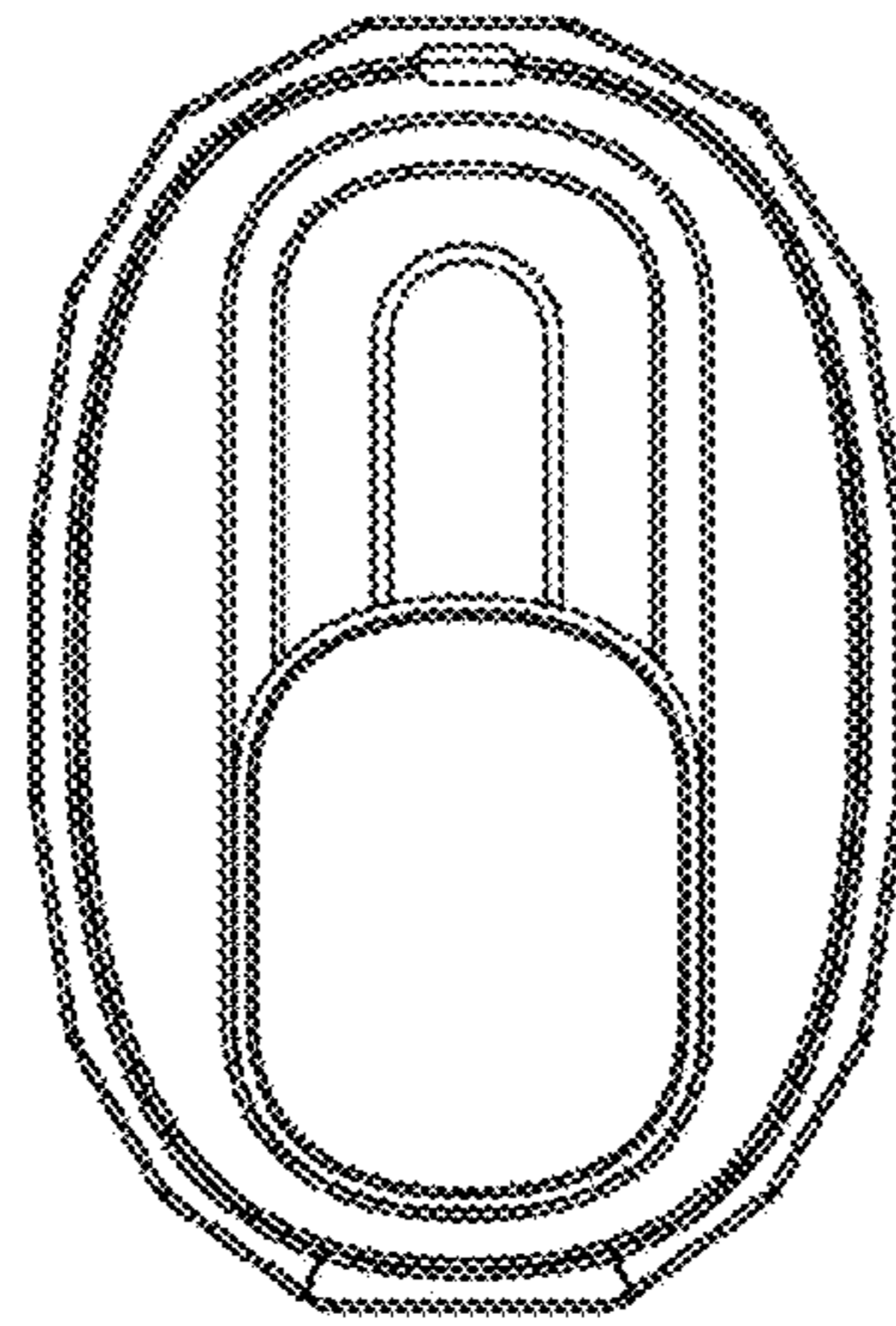


FIG. 6

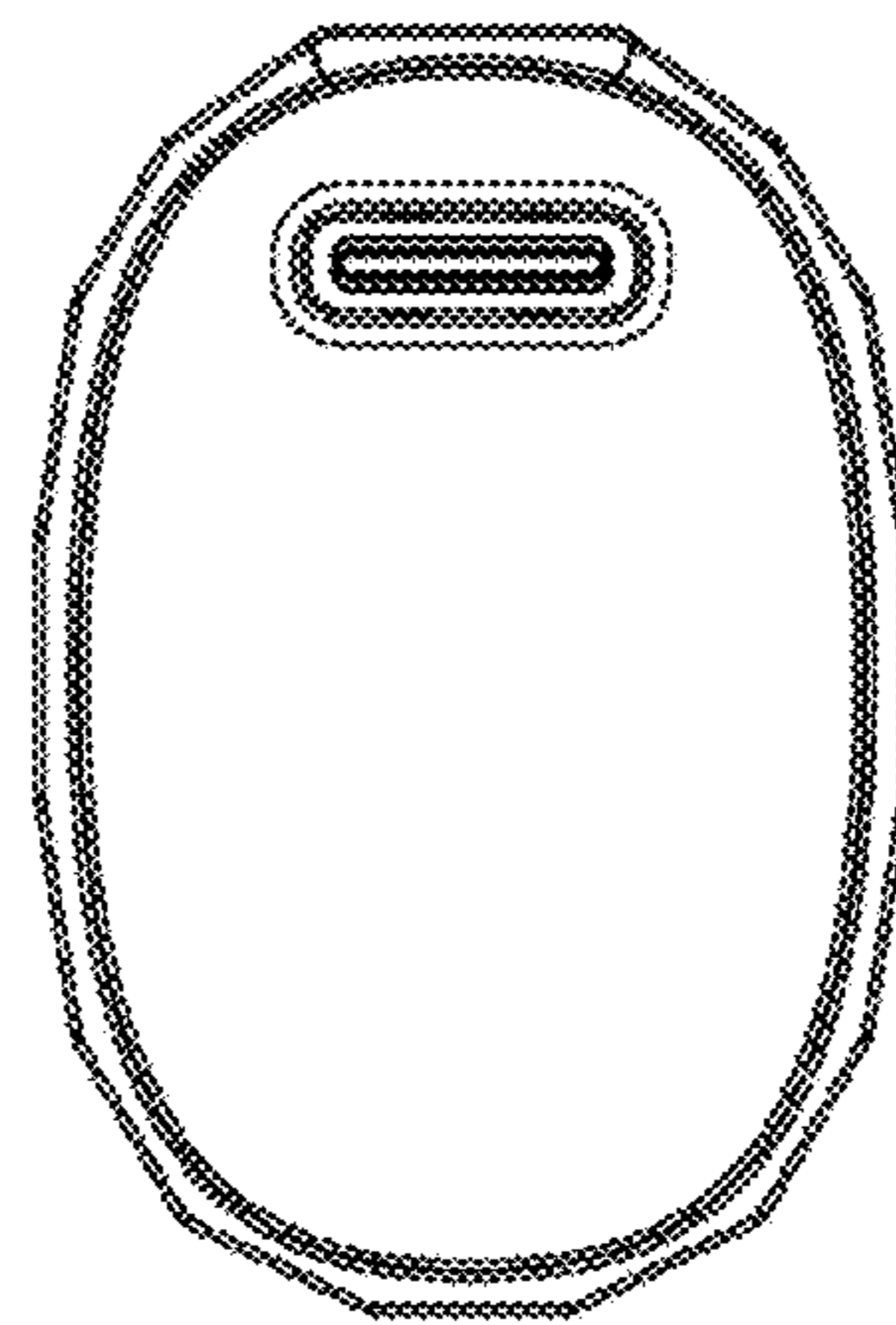


FIG. 7

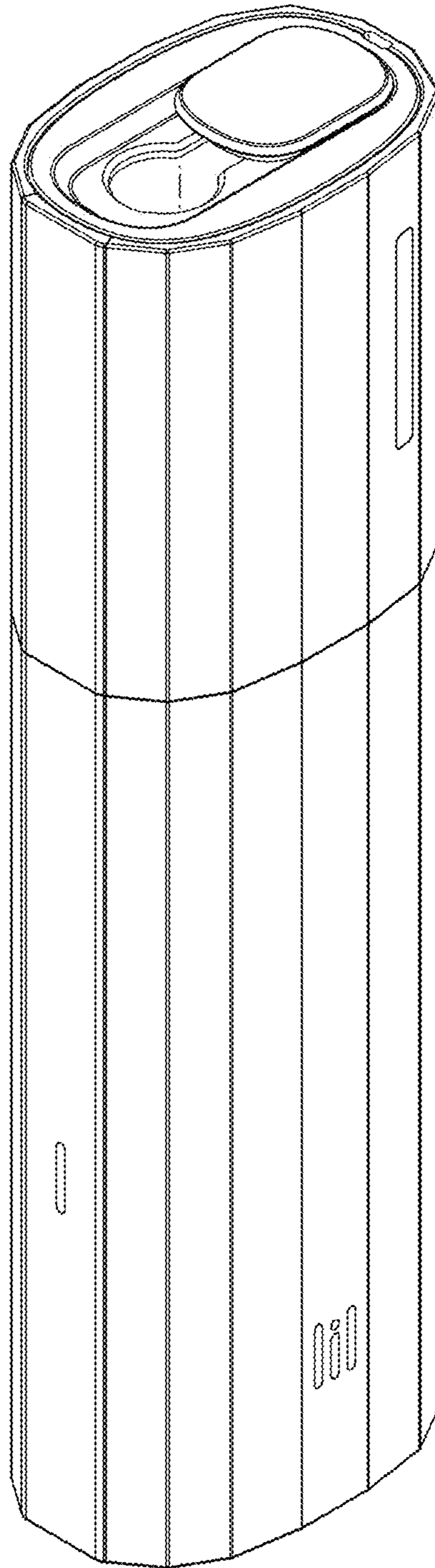


FIG. 8



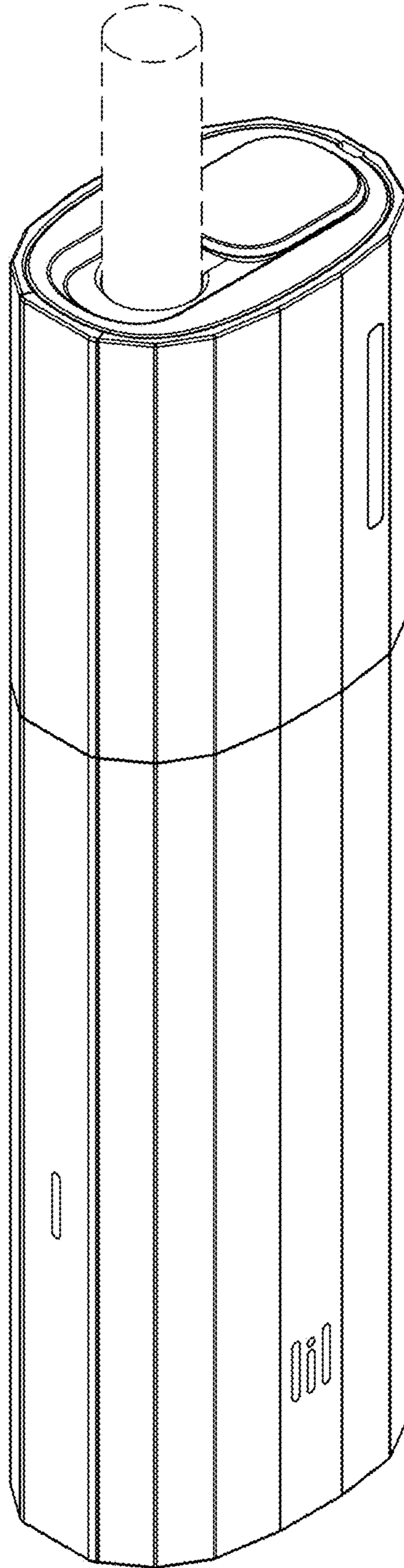


FIG. 9