



US00D979833S

(12) **United States Design Patent** (10) **Patent No.:** **US D979,833 S**
Zhao (45) **Date of Patent:** **** Feb. 28, 2023**

(54) **LAMP BASE**

(71) Applicant: **HongChun Zhao**, ShenZhen (CN)

(72) Inventor: **HongChun Zhao**, ShenZhen (CN)

(**) Term: **15 Years**

(21) Appl. No.: **29/802,181**

(22) Filed: **Aug. 3, 2021**

(30) **Foreign Application Priority Data**

May 19, 2021 (CN) 202130299502.X

(51) **LOC (14) Cl.** **26-05**

(52) **U.S. Cl.**
USPC **D26/142**

(58) **Field of Classification Search**
USPC D26/2, 28, 36, 79-92, 110, 113, 118,
D26/134, 138-139, 140, 142, 149-151;
D13/134; D12/308

(Continued)

(56) **References Cited**

U.S. PATENT DOCUMENTS

D476,769 S * 7/2003 Pilkington D26/51
D546,762 S * 7/2007 Kovacs D13/134

(Continued)

FOREIGN PATENT DOCUMENTS

HK 0603022-0005 * 12/2006

OTHER PUBLICATIONS

Towner 3-Light Brushed Nickel Pendant Canopy, available in homedepot.com, customer review oldest date Nov. 25, 2020 [online], [site visited Nov. 9, 2022], Available from the internet URL: <https://www.homedepot.com/p/Sea-Gull-Lighting-Towner-3-Light-Brushed-Nickel-Pendant-Canopy-7449403-962/304539292> (Year: 2020).*

(Continued)

Primary Examiner — Jennifer L Rempfer
Assistant Examiner — Jasmine L. Comedy
(74) *Attorney, Agent, or Firm* — iPA & iPM

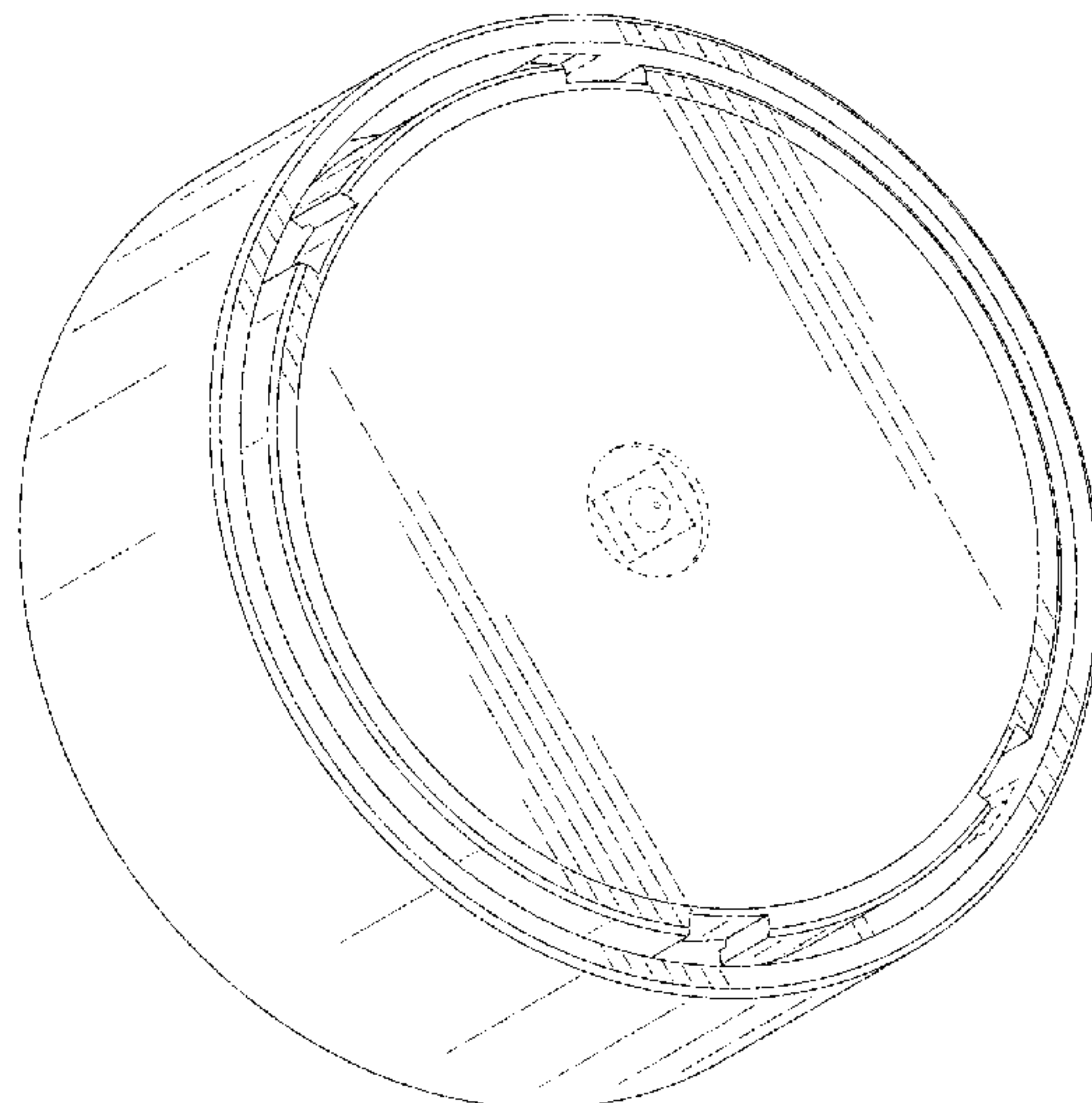
(57) **CLAIM**

The ornamental design for a lamp base, as shown and described.

DESCRIPTION

FIG. 1 is a perspective and front view of a lamp base showing my new design;
FIG. 2 is a perspective view from behind thereof;
FIG. 3 is a top view, identical to a bottom view thereof due to symmetry;
FIG. 4 is a left side view, identical to a right side view thereof due to symmetry;
FIG. 5 is a front view thereof;
FIG. 6 is a back view thereof;
FIG. 7 is a perspective view from behind thereof, with a handle in an upright position;
FIG. 8 is a perspective and front view of the lamp base fitted with a first shade;
FIG. 9 is a perspective view from behind thereof;
FIG. 10 is left side view, identical to a right side view, a top view, and a bottom view thereof due to symmetry;
FIG. 11 is a front view thereof;
FIG. 12 is a back view thereof;
FIG. 13 is a perspective view of the lamp base with the first shade in a detached position;
FIG. 14 is a perspective and front view of the lamp base fitted with a second shade;
FIG. 15 is left side view, identical to a right side view, a top view, and a bottom view thereof due to symmetry;
FIG. 16 is a front view thereof;
FIG. 17 is a back view thereof; and,
FIG. 18 is a perspective view of the lamp base with the second shade in a detached position.
Broken lines are for illustrative purpose only and form no part of the claimed design.

1 Claim, 14 Drawing Sheets



(58) **Field of Classification Search**

CPC F21V 21/06; F21V 21/02; F04D 3/00
See application file for complete search history.

(56) **References Cited**

U.S. PATENT DOCUMENTS

D547,889 S	*	7/2007	Huang	D26/28
D560,829 S	*	1/2008	Mason, II	D26/28
D628,722 S	*	12/2010	Yamamoto	D26/2
D643,971 S	*	8/2011	Yamamoto	D26/138
D648,061 S	*	11/2011	Yamamoto	D26/138
D750,314 S	*	2/2016	Hobson	D26/118
D773,725 S	*	12/2016	Sonneman	D26/142
D773,726 S	*	12/2016	Sonneman	D26/142
D831,268 S	*	10/2018	Johnson	D26/113
D831,883 S	*	10/2018	Goltche	D26/139
D917,092 S	*	4/2021	Zhang	D26/110

OTHER PUBLICATIONS

Submersible Pond Lights, available in Amazon.com, date first available Oct. 20, 2020 [online], [site visited Nov. 9, 2022], Available from the internet URL: <https://www.amazon.com/Underwater-Waterproof-Submersible-Changing-Decoration/dp/B08GQY577X?th=1> (Year: 2020).*

Kamas Chandelier Ceiling Mounted Plate, available in Amazon.com, date first available Apr. 17, 2019 [online], [site visited Nov. 9, 2022], Available from the internet URL: <https://www.amazon.com/Kamas-Chandelier-Suspension-Lighting-Accessories/dp/B07QMHBGMB?th=1> (Year: 2019).*

Idealife Rechargeable Submersible LED Lights, available in Amazon.com, date first available Mar. 13, 2020 [online], [site visited Nov. 9, 2022], Available from the internet URL: <https://a.co/d/bR9fJfN> (Year: 2020).*

* cited by examiner

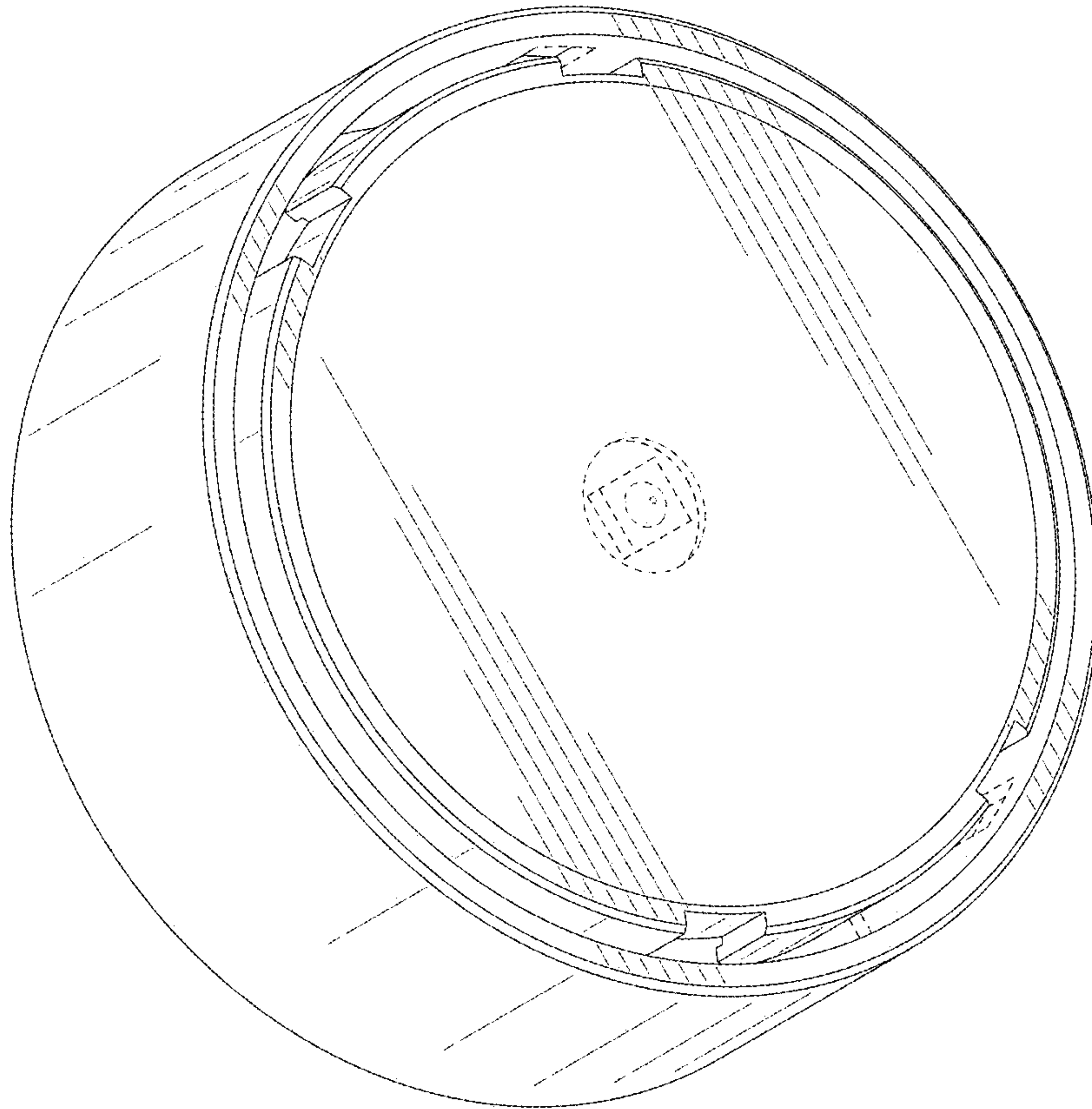


FIG.1

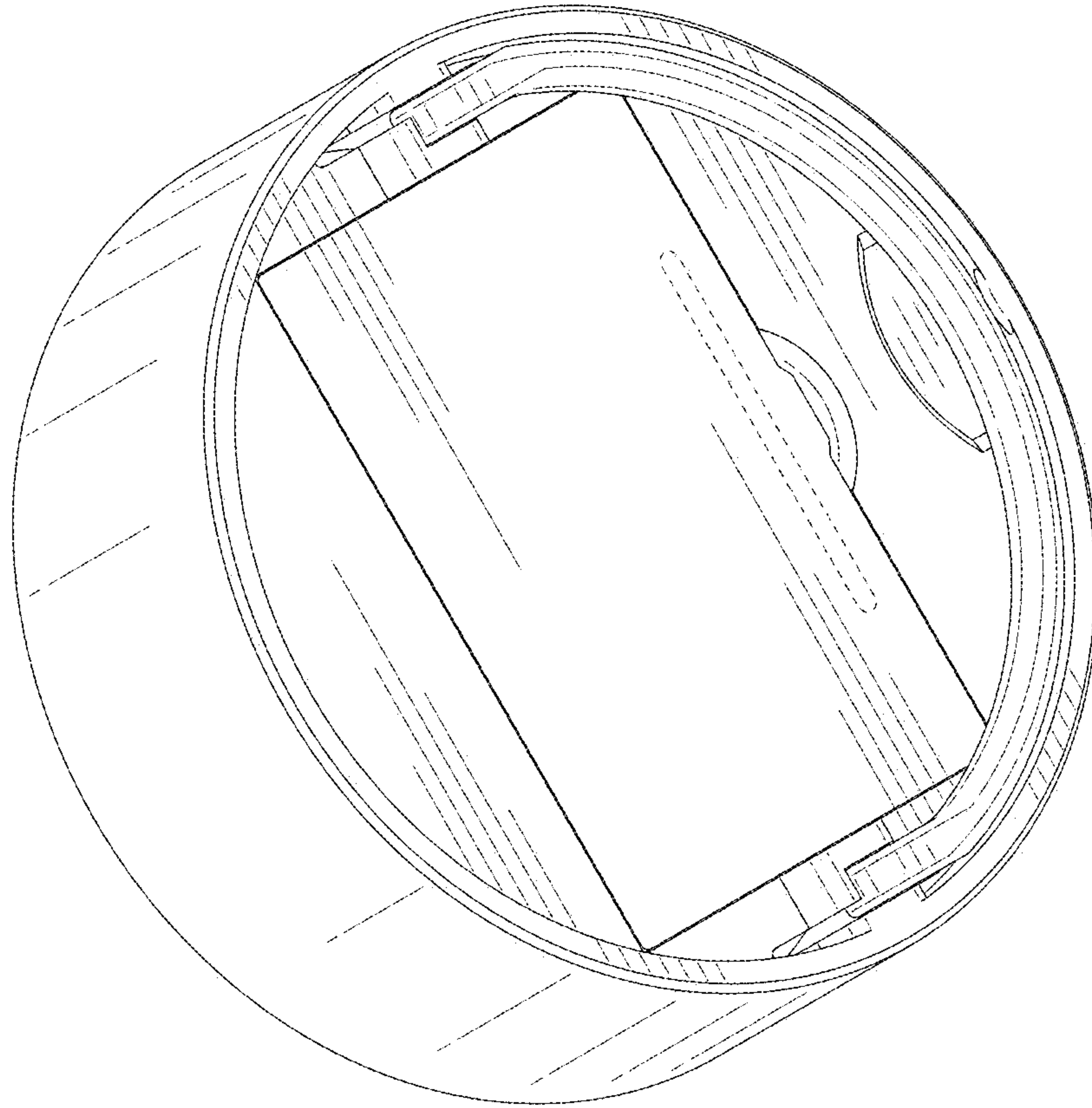


FIG.2

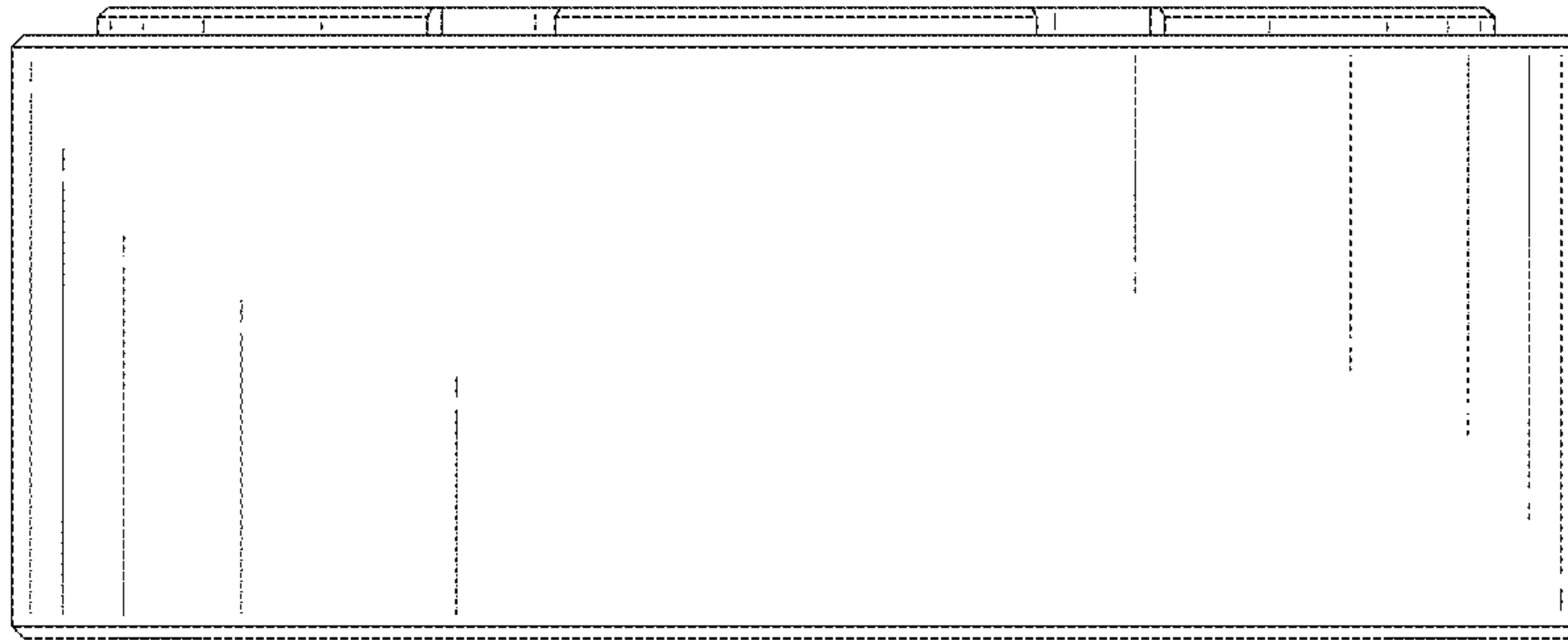


FIG.3

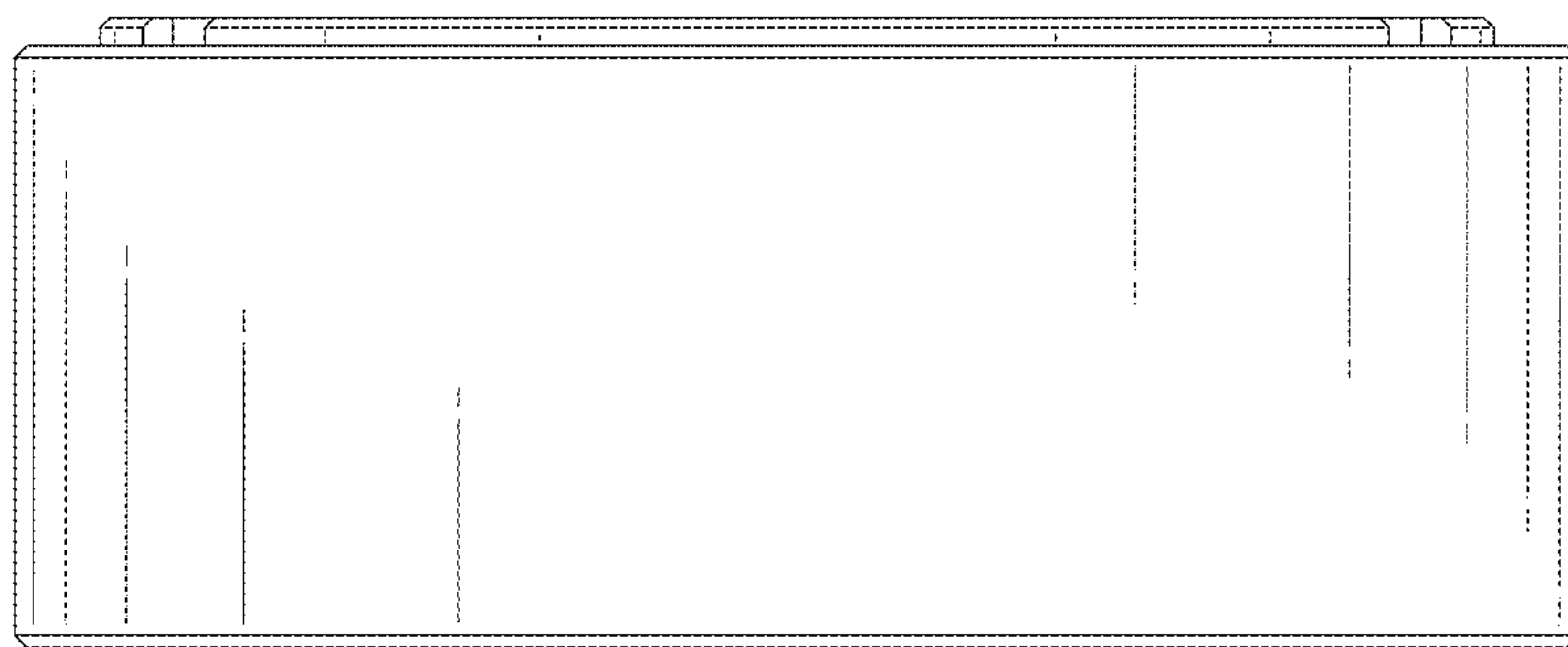


FIG.4

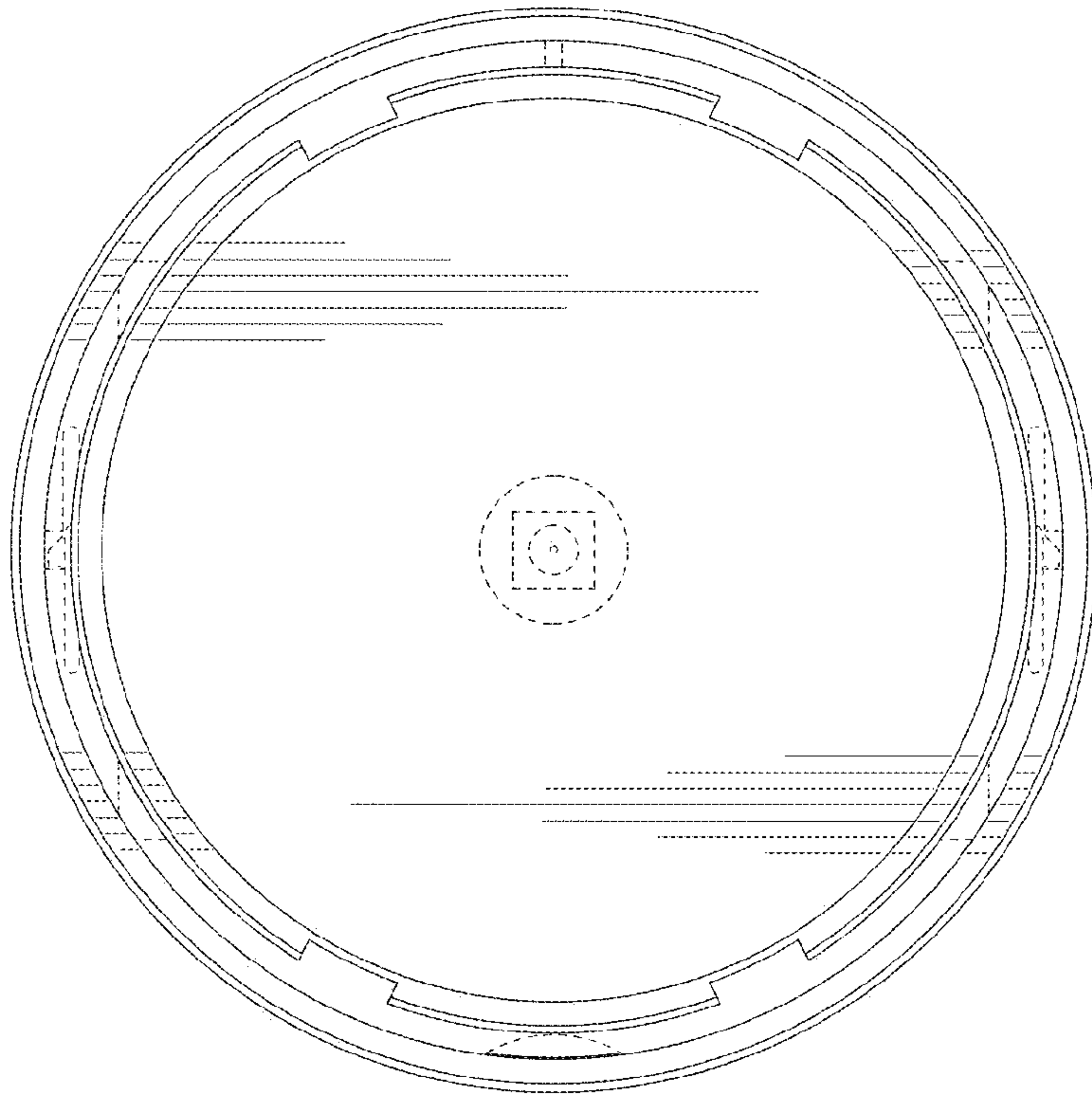


FIG. 5

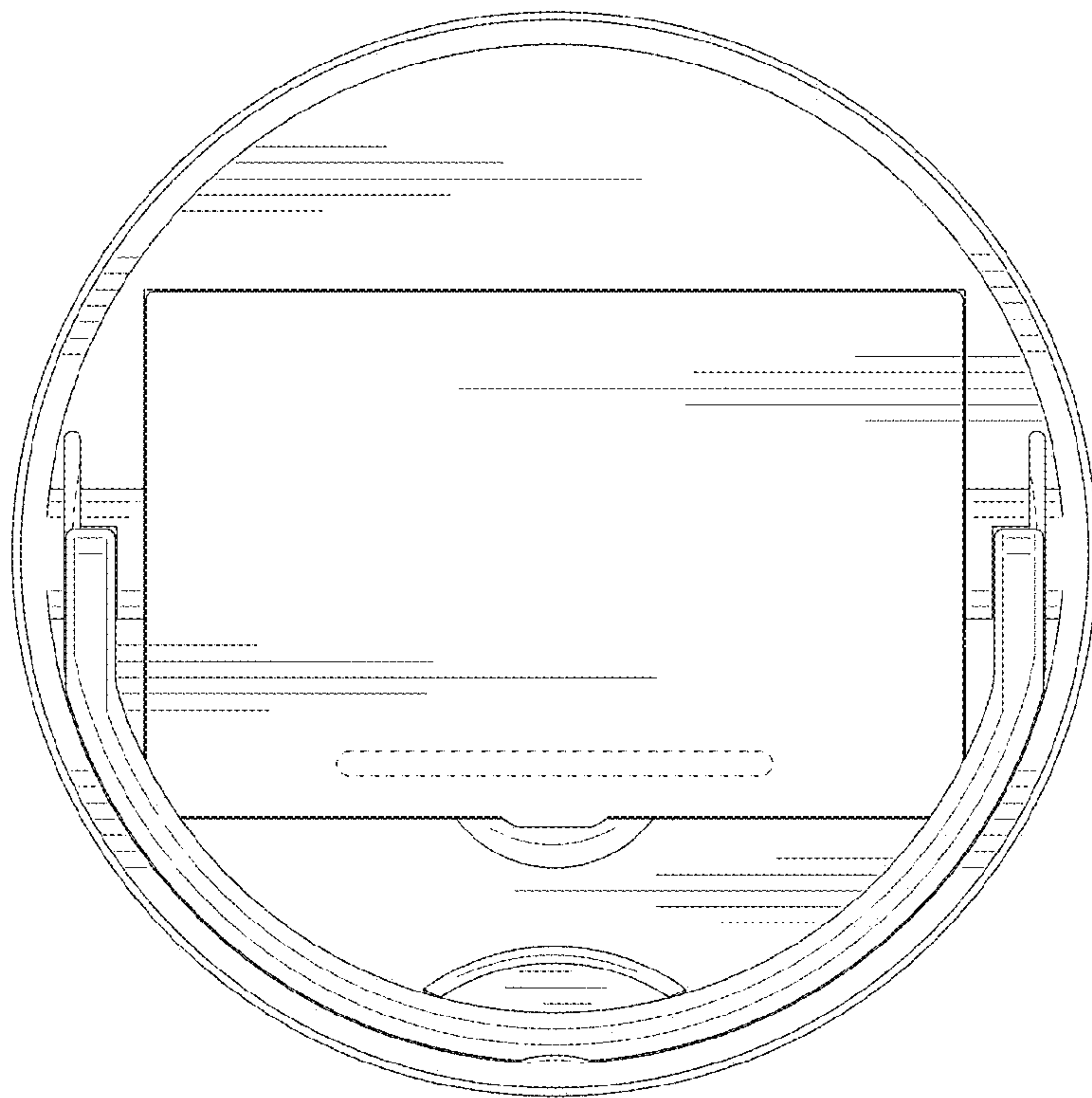


FIG. 6

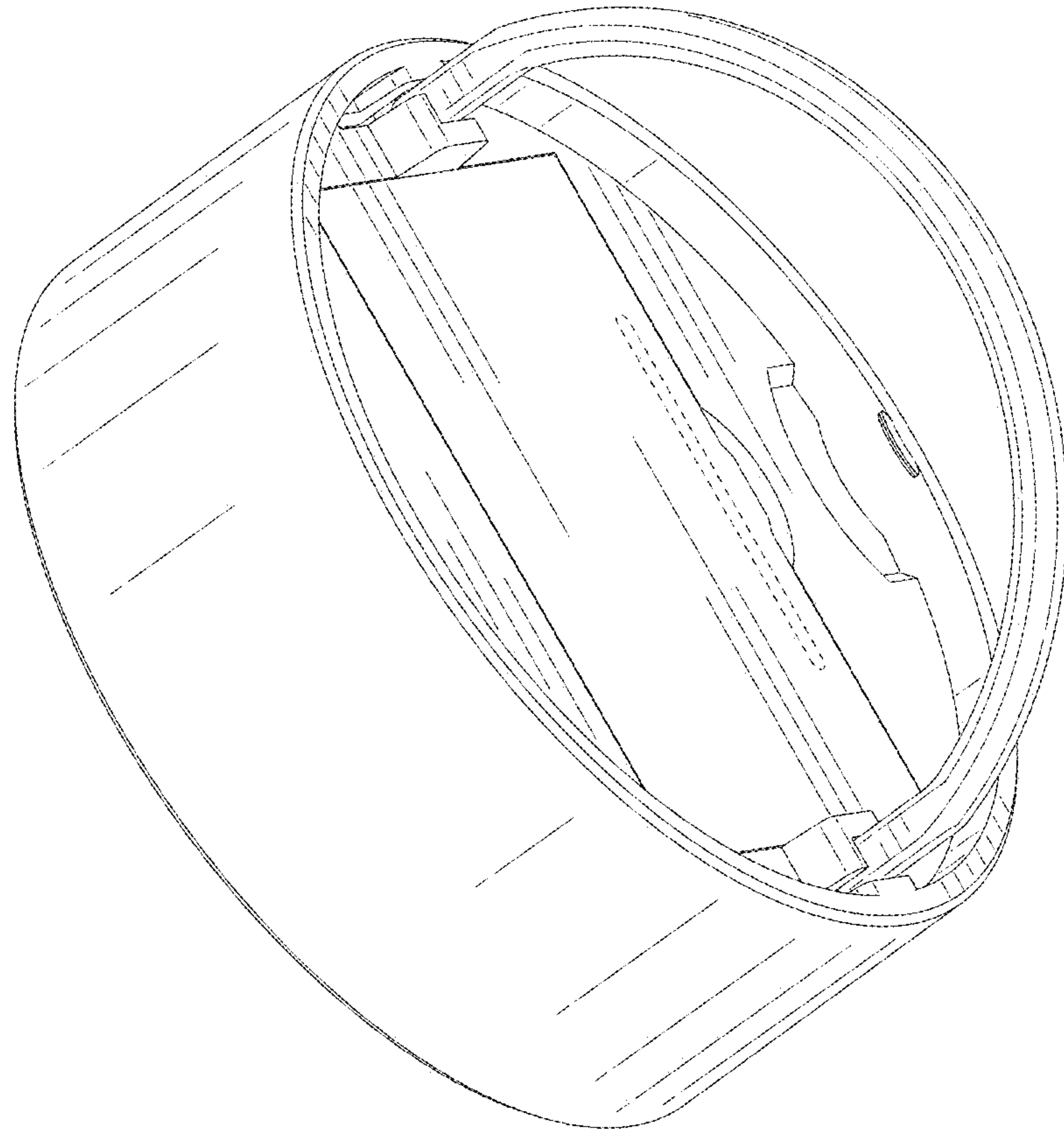


FIG. 7

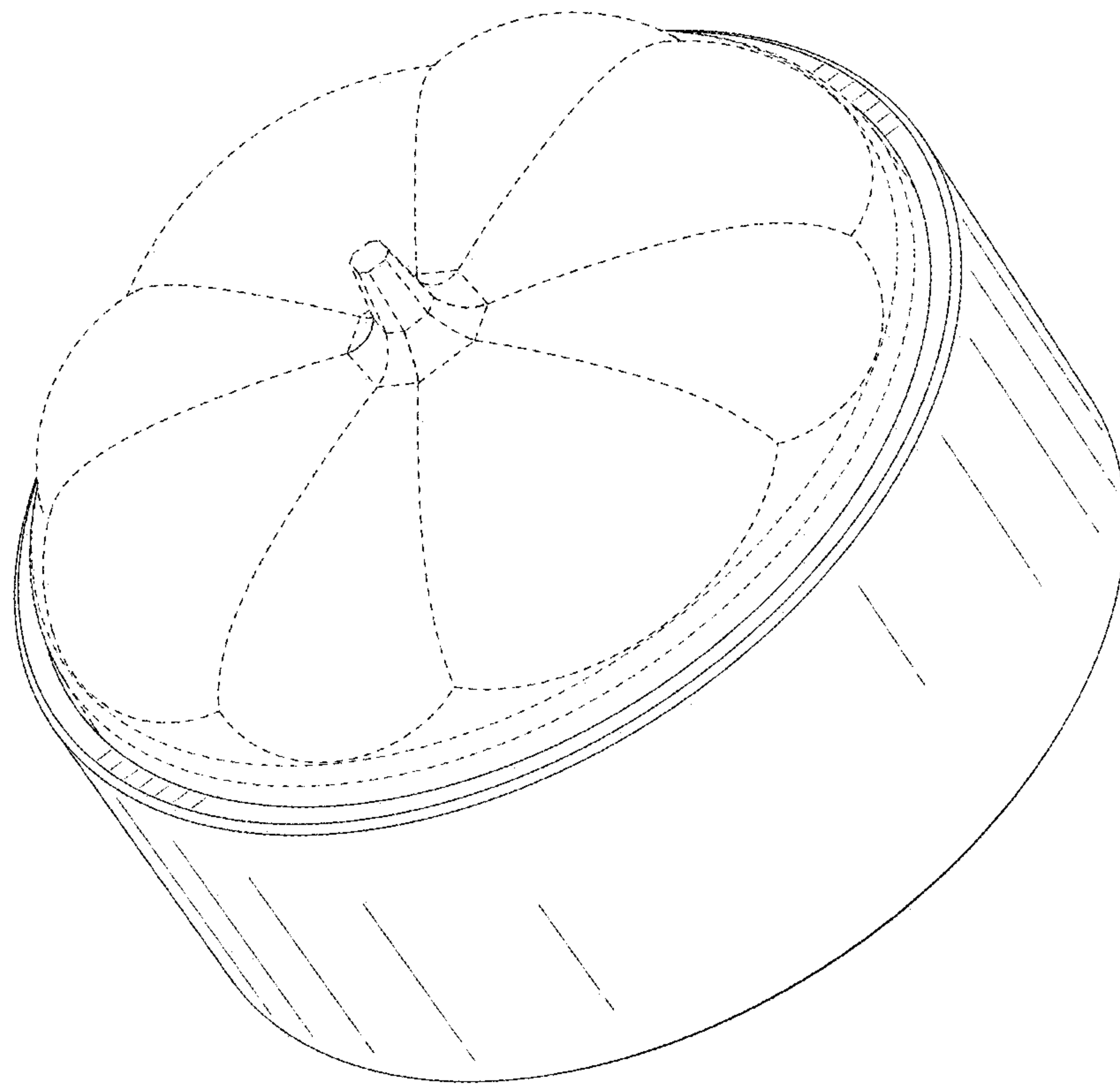


FIG.8

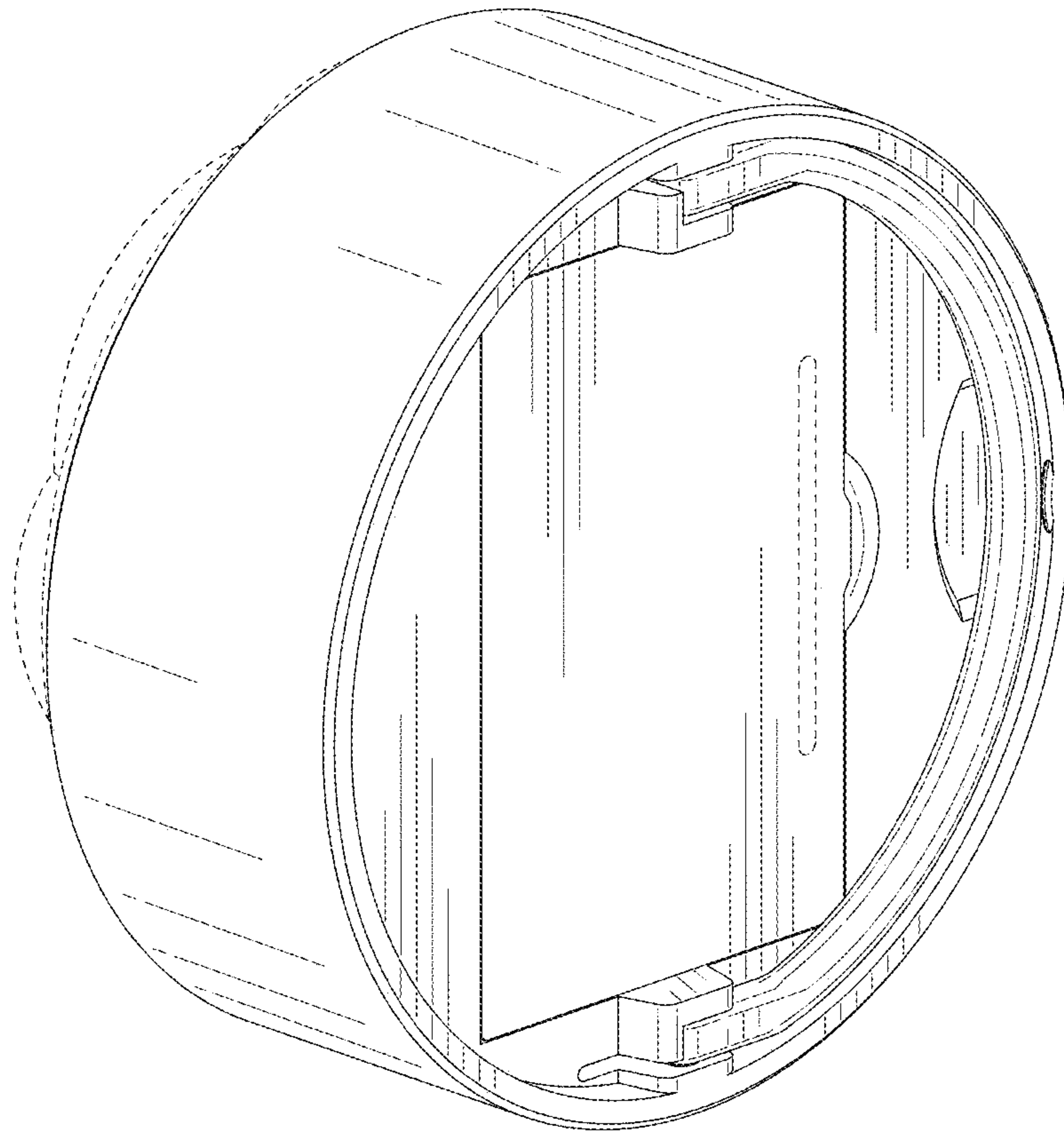


FIG.9

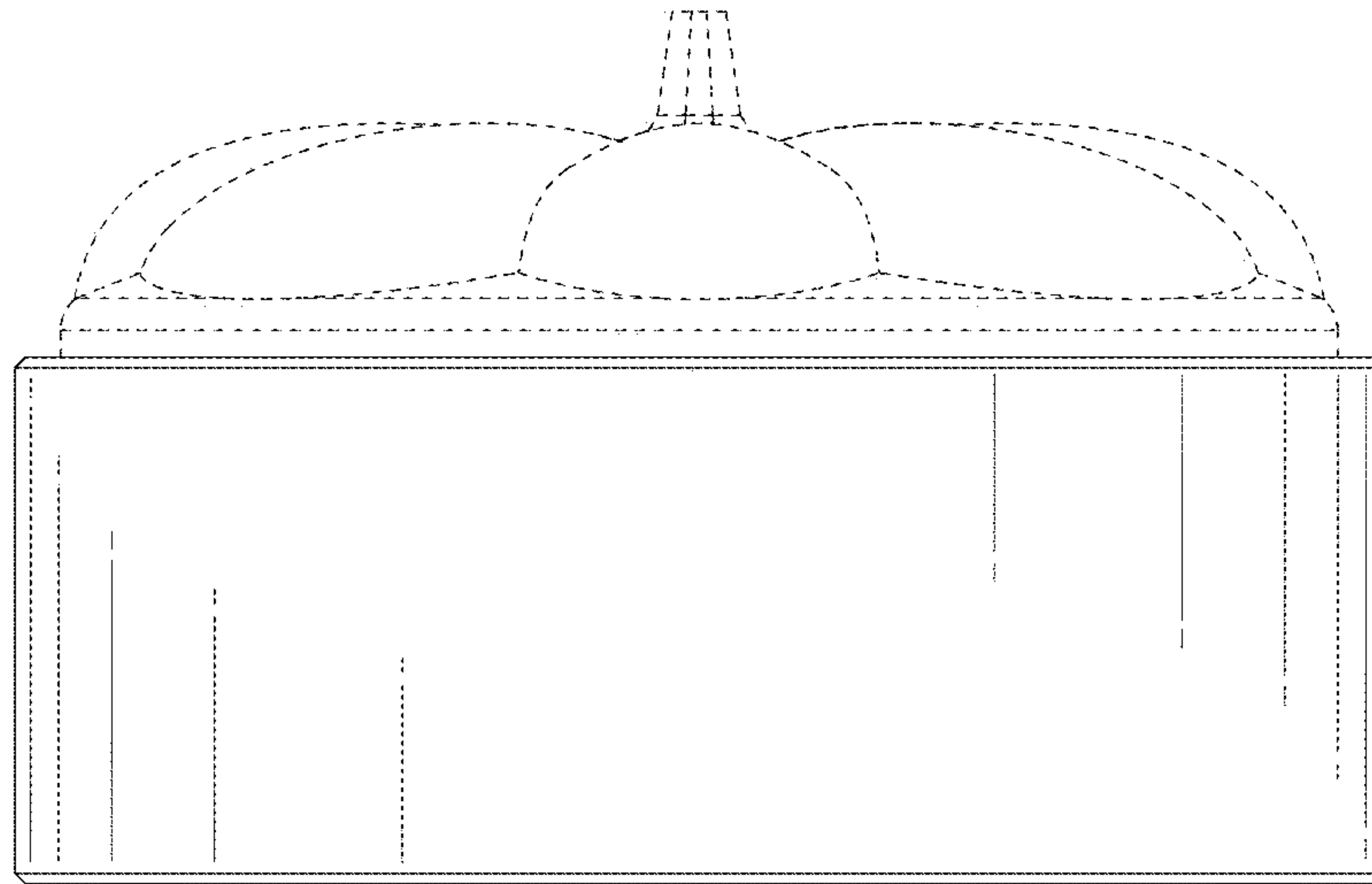


FIG.10

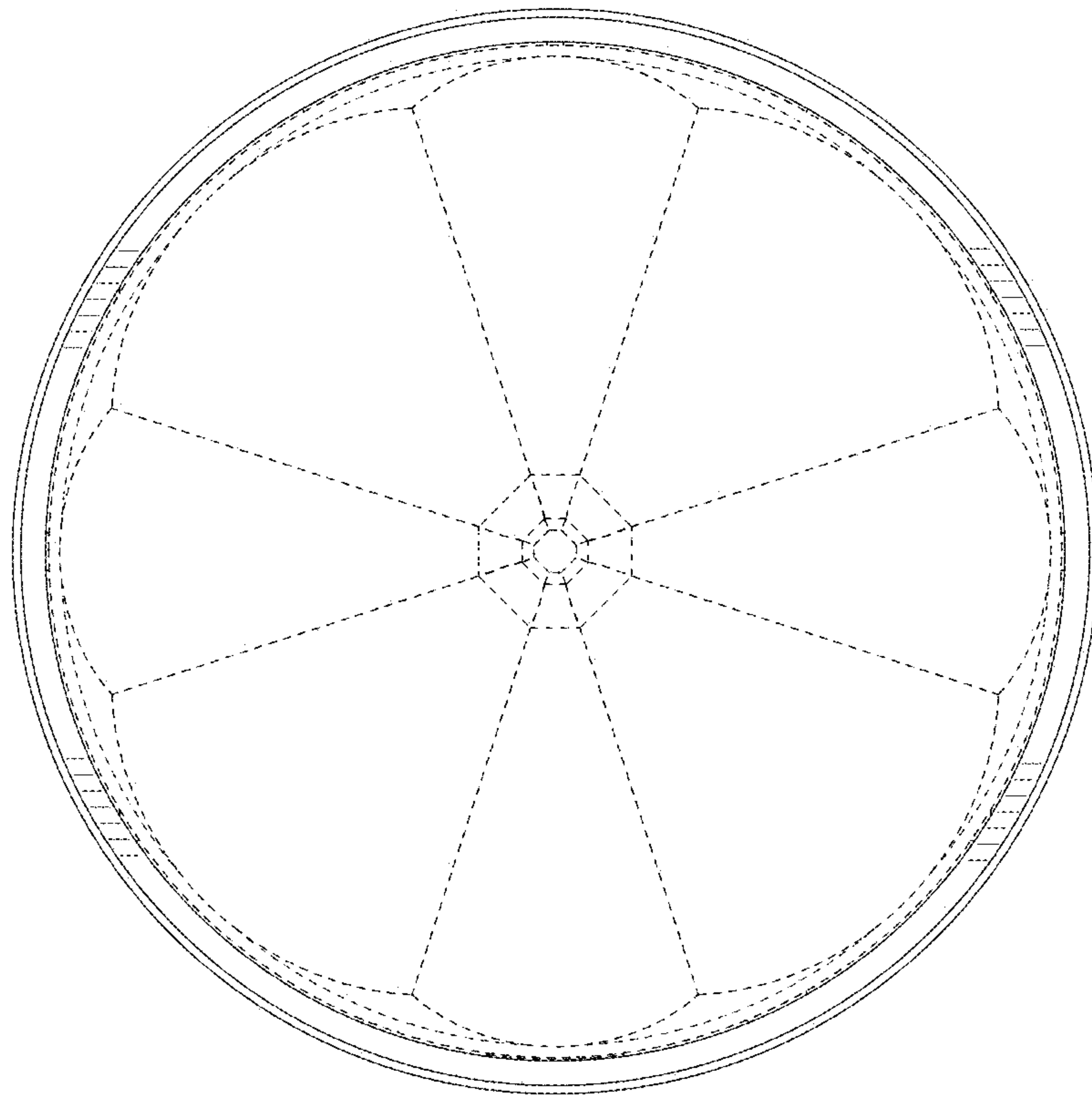


FIG. 11

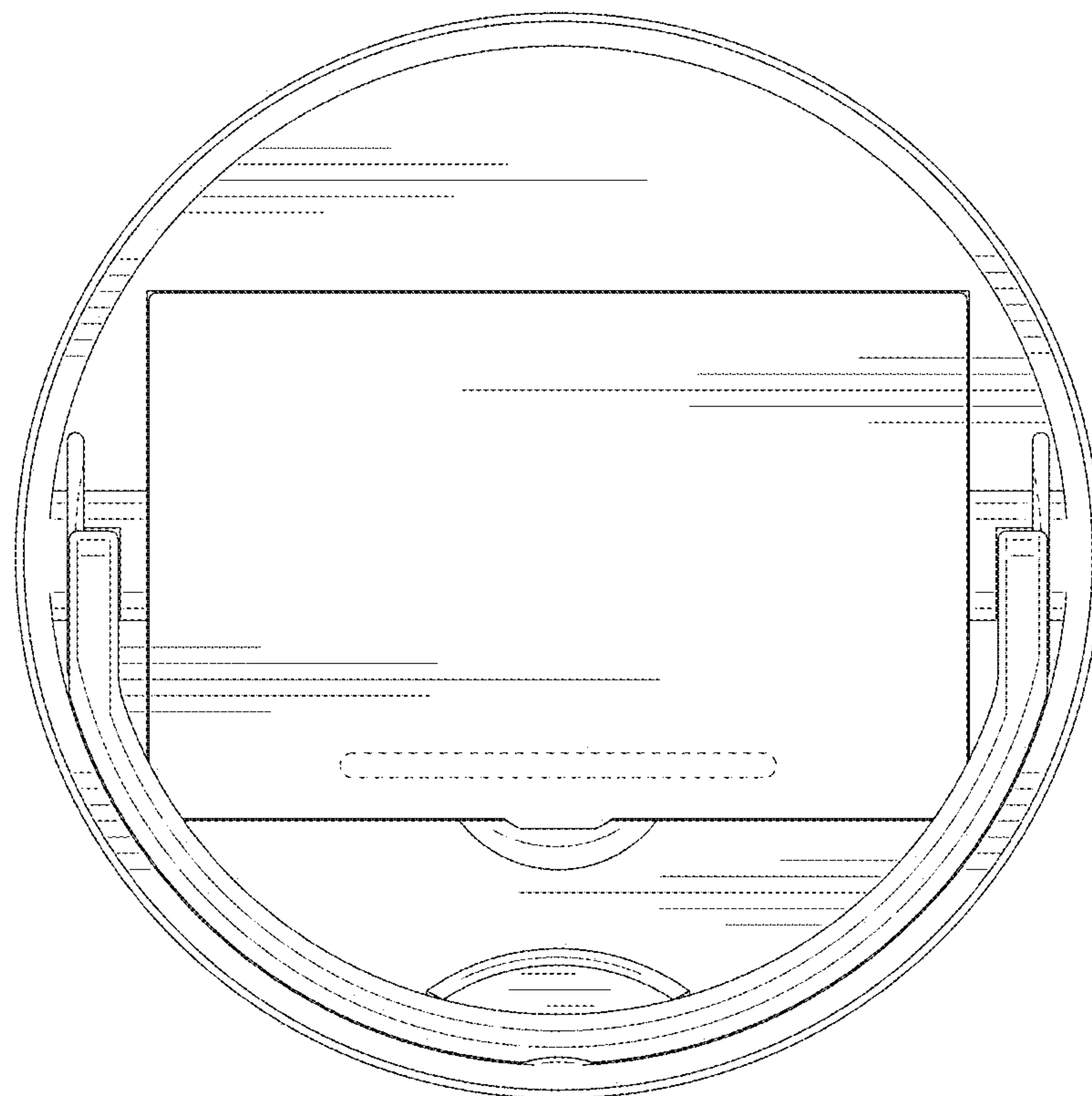


FIG. 12

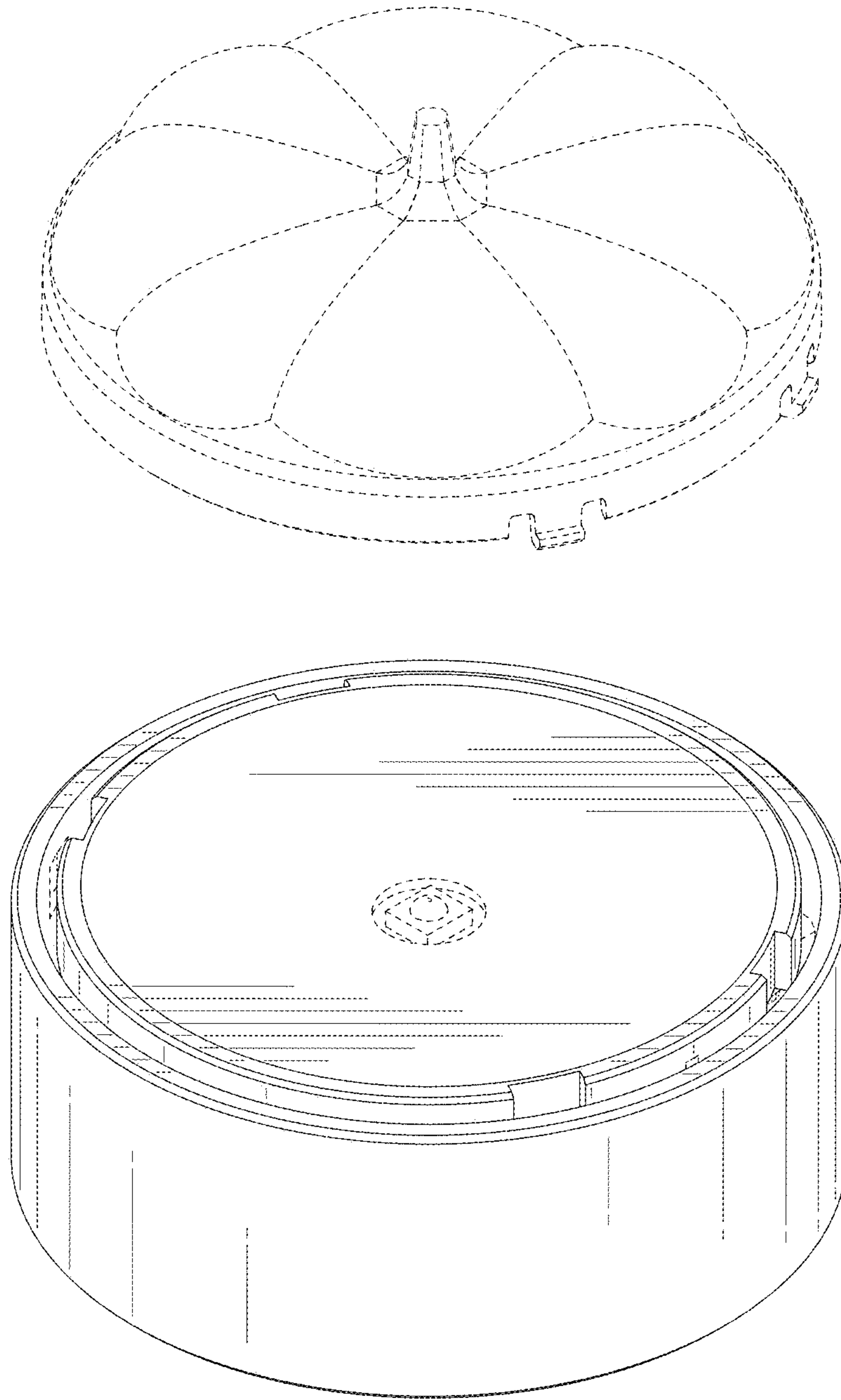


FIG.13

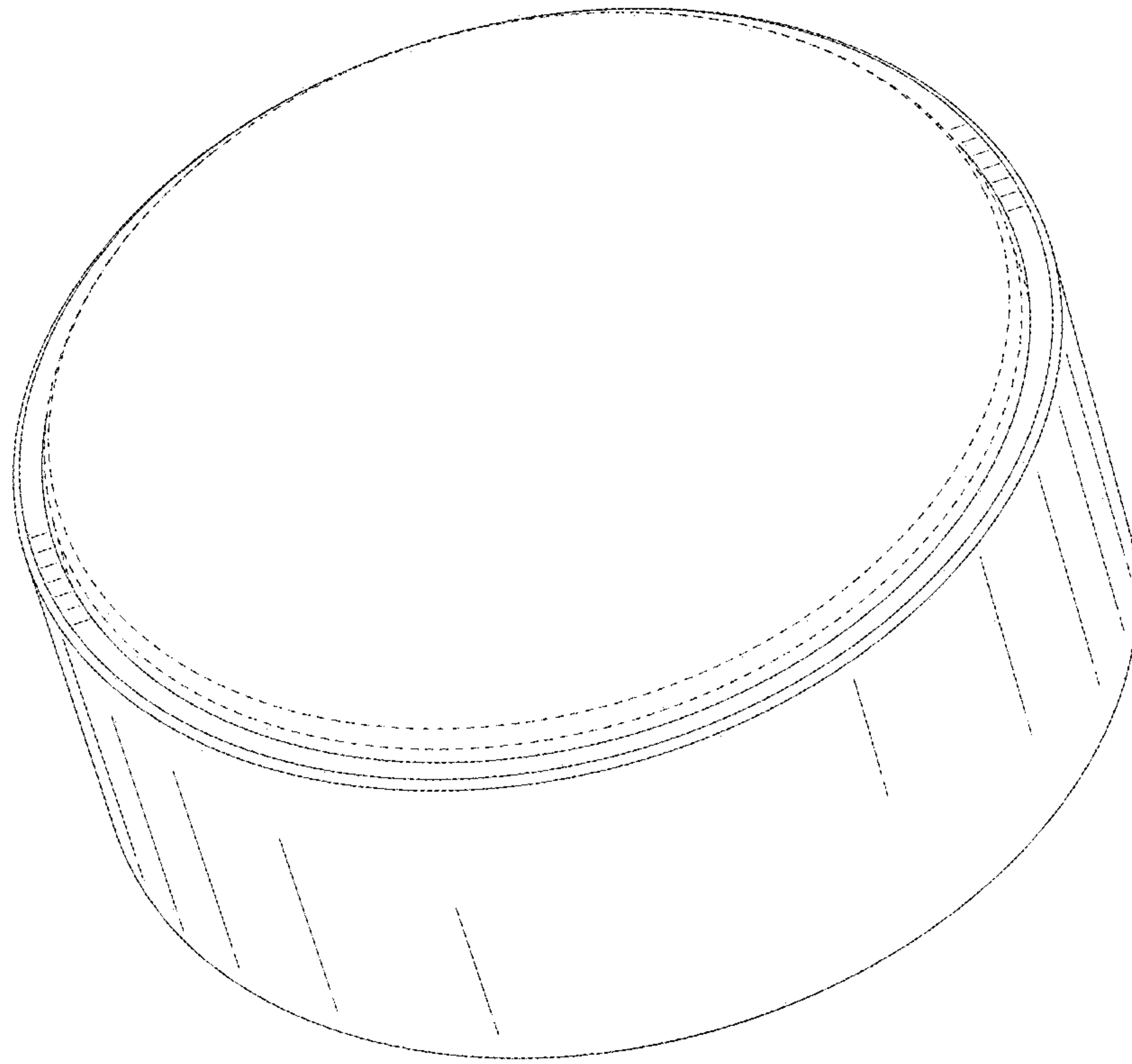


FIG.14

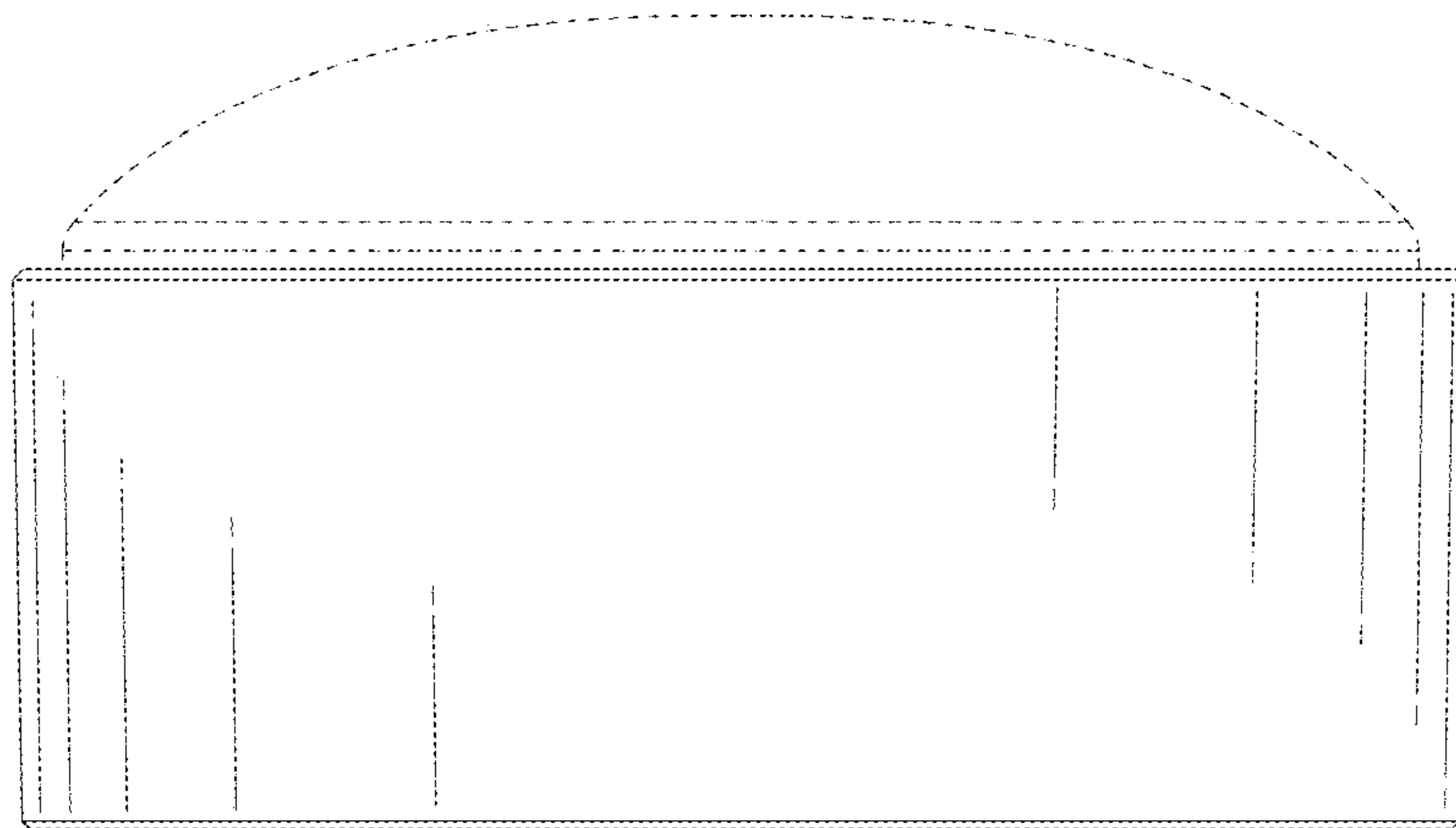


FIG.15

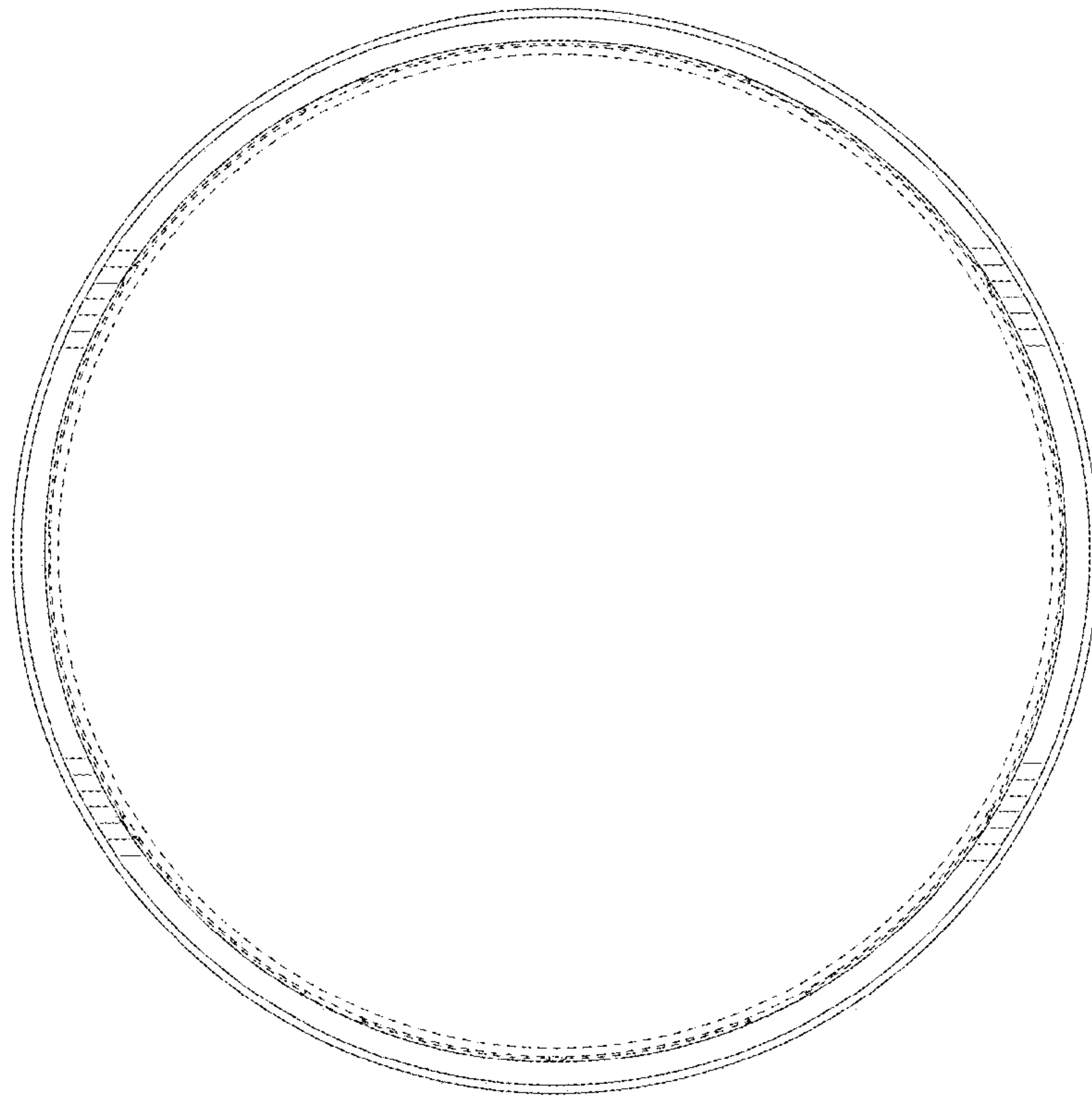


FIG. 16

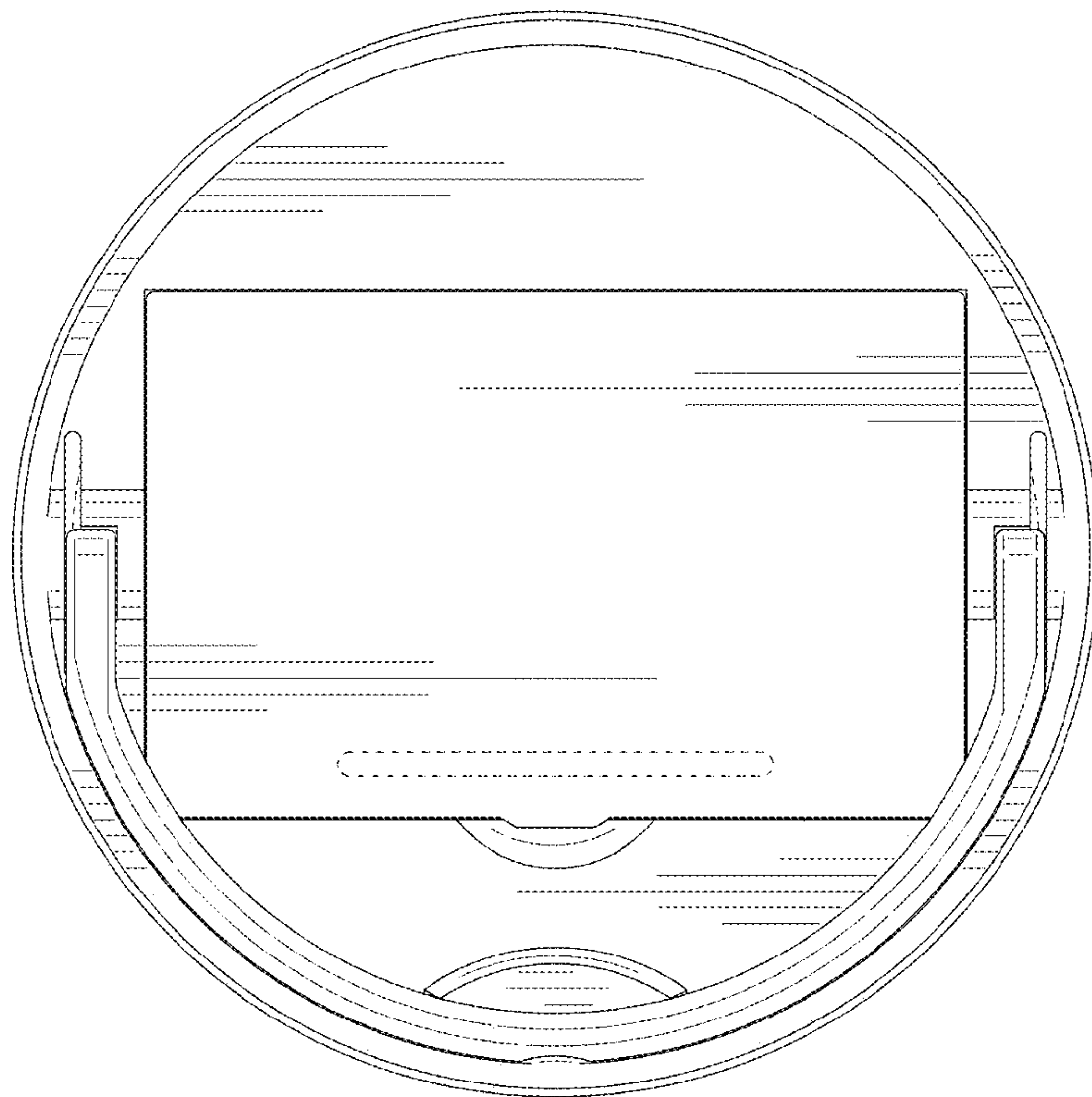


FIG. 17

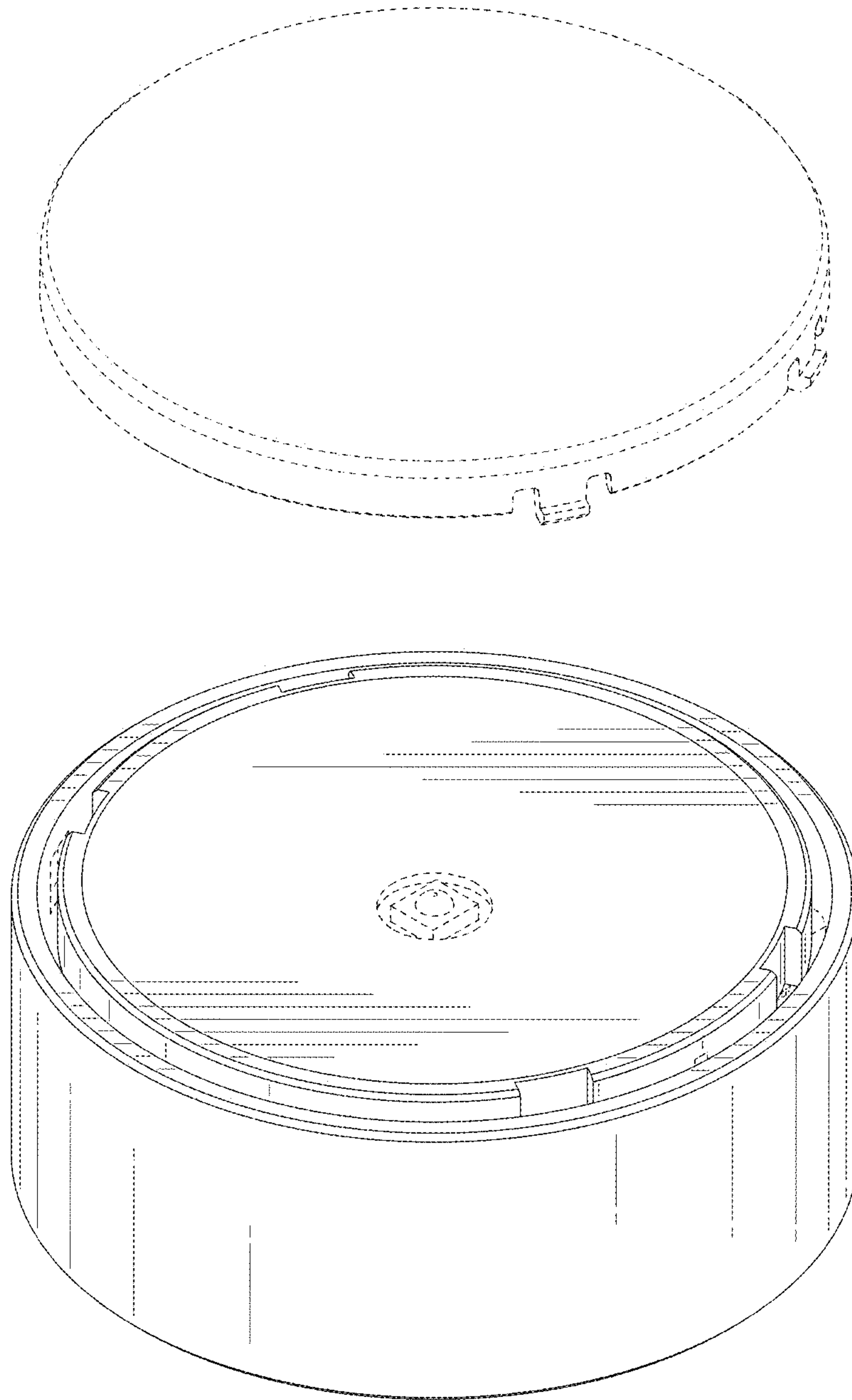


FIG.18