



US00D979829S

(12) **United States Design Patent** (10) **Patent No.:** **US D979,829 S**
Wang (45) **Date of Patent:** **** Feb. 28, 2023**

(54) **FLOOR LAMP**

FOREIGN PATENT DOCUMENTS

(71) Applicant: **Minxun Yuan**, Jimo (CN)

EM 008284251-0002 * 12/2020

(72) Inventor: **Xuemei Wang**, Dazhi (CN)

OTHER PUBLICATIONS

(73) Assignee: **Minxun Yuan**, Jimo (CN)

(**) Term: **15 Years**

(21) Appl. No.: **29/733,685**

(22) Filed: **May 6, 2020**

(51) **LOC (14) Cl.** **26-05**

(52) **U.S. Cl.**
USPC **D26/93**

(58) **Field of Classification Search**
USPC ... D26/1, 24, 37, 46, 48, 50, 61, 62, 63, 64,
D26/93, 102, 106
CPC F21S 6/00; F21S 8/03; F21S 8/032; F21S
6/005
See application file for complete search history.

Amazon, "LED Floor Lamp, Stasun", first available Oct. 11, 2020. (https://www.amazon.com/dp/B08L1L29P3/?th=1) (Year: 2020).*
Amazon, "Sunllipe LED Floor Lamp", first available Aug. 13, 2020. (https://www.amazon.com/dp/B08MXNQS5B/?th=1) (Year: 2020).*
Amazon, "HomeFocus LED Floor Lamp", first available May 21, 2020. (https://www.amazon.com/dp/B088ZRMV3W/) (Year: 2020).*
Amazon, "Moffe 2-Ways Led Floor Lamp", first available Jul. 27, 2021. (https://www.amazon.com/dp/B09467JW3G/?th=1) (Year: 2021).*

* cited by examiner

Primary Examiner — Lauren D McVey
Assistant Examiner — Justin A Johnson

(56) **References Cited**

U.S. PATENT DOCUMENTS

| | | | | |
|--------------|---------|----------|-------|---------|
| D309,797 S * | 8/1990 | Gismondi | | D26/107 |
| D373,006 S * | 8/1996 | Chelsea | | D26/110 |
| D377,542 S * | 1/1997 | Huang | | D26/102 |
| D389,599 S * | 1/1998 | Swanson | | D26/110 |
| D399,589 S * | 10/1998 | Huang | | D26/102 |
| D405,904 S * | 2/1999 | Huang | | D26/65 |
| D500,880 S * | 1/2005 | Swanson | | D26/102 |
| D595,441 S * | 6/2009 | Swanson | | D26/61 |
| D628,338 S * | 11/2010 | Sabernig | | D26/65 |
| D757,987 S * | 5/2016 | Lee | | D26/102 |
| D872,347 S * | 1/2020 | Probyn | | D26/93 |
| D876,707 S * | 2/2020 | Tang | | D26/110 |
| D876,708 S * | 2/2020 | Tang | | D26/110 |

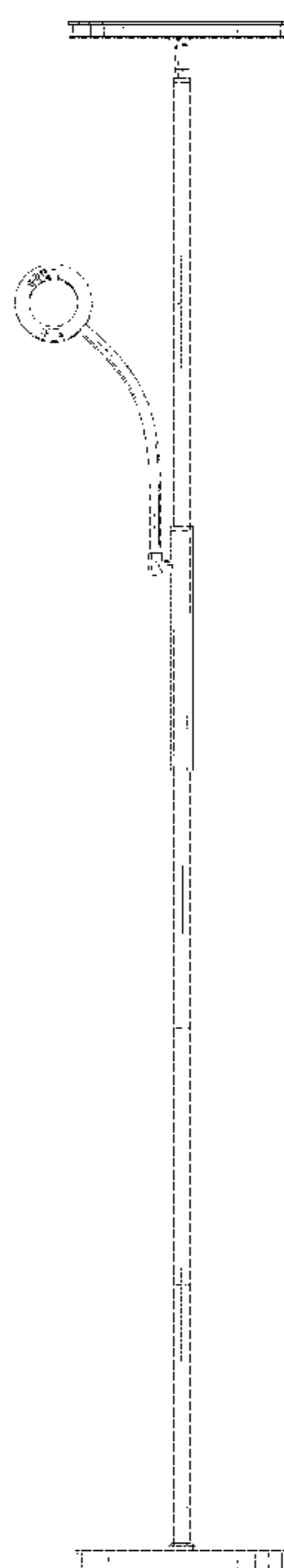
(57) **CLAIM**

The ornamental design for a floor lamp, as shown and described.

DESCRIPTION

FIG. 1 is a front elevational view of a floor lamp showing my new design;
FIG. 2 is a rear elevational view thereof;
FIG. 3 is a left side elevational view thereof;
FIG. 4 is a right side elevational view thereof;
FIG. 5 is a top plan view thereof; and,
FIG. 6 is a front perspective view thereof.
The broken lines depict portions of the floor lamp that forms no part of the claimed design.

1 Claim, 6 Drawing Sheets



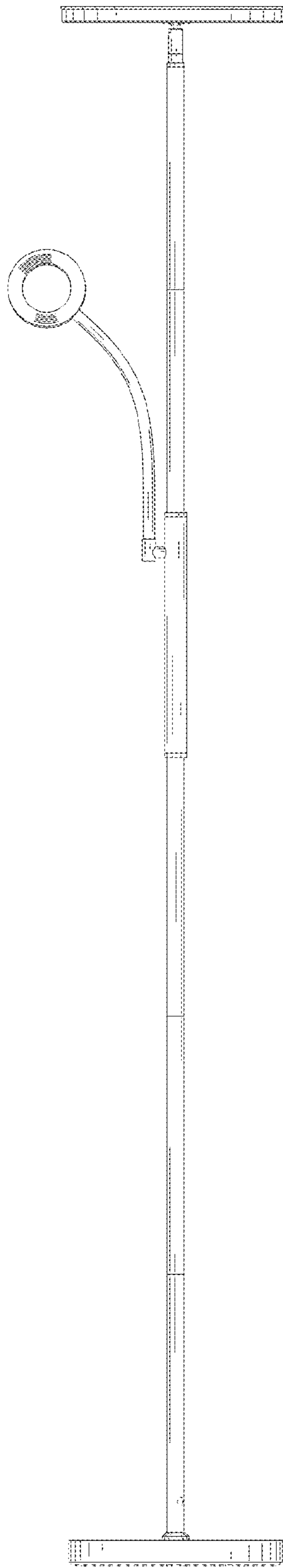


FIG. 1

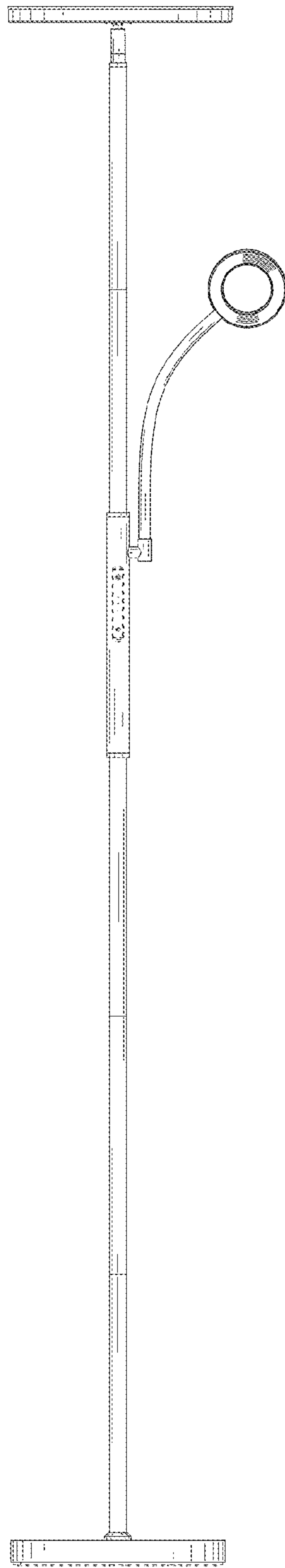


FIG. 2

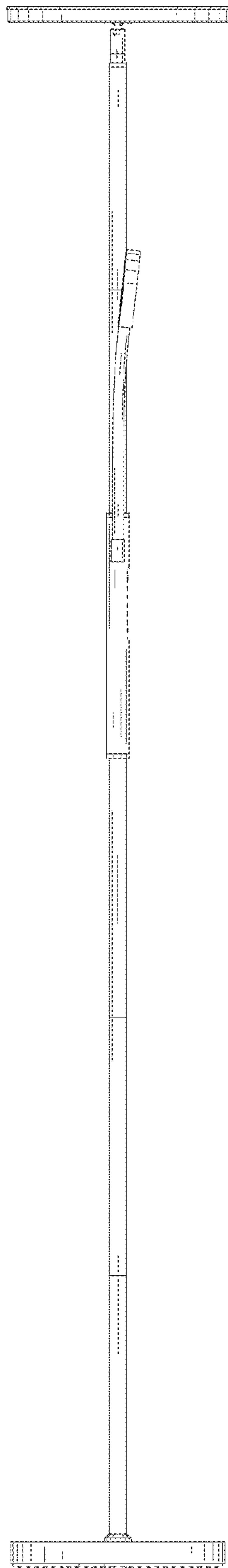


FIG. 3

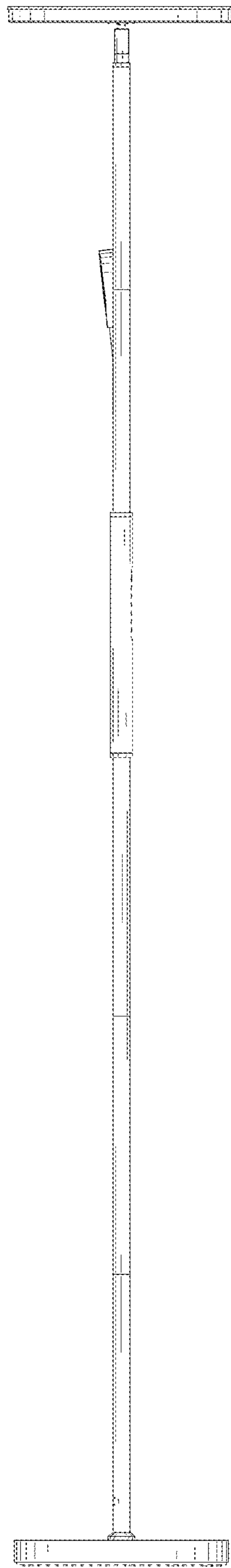


FIG. 4

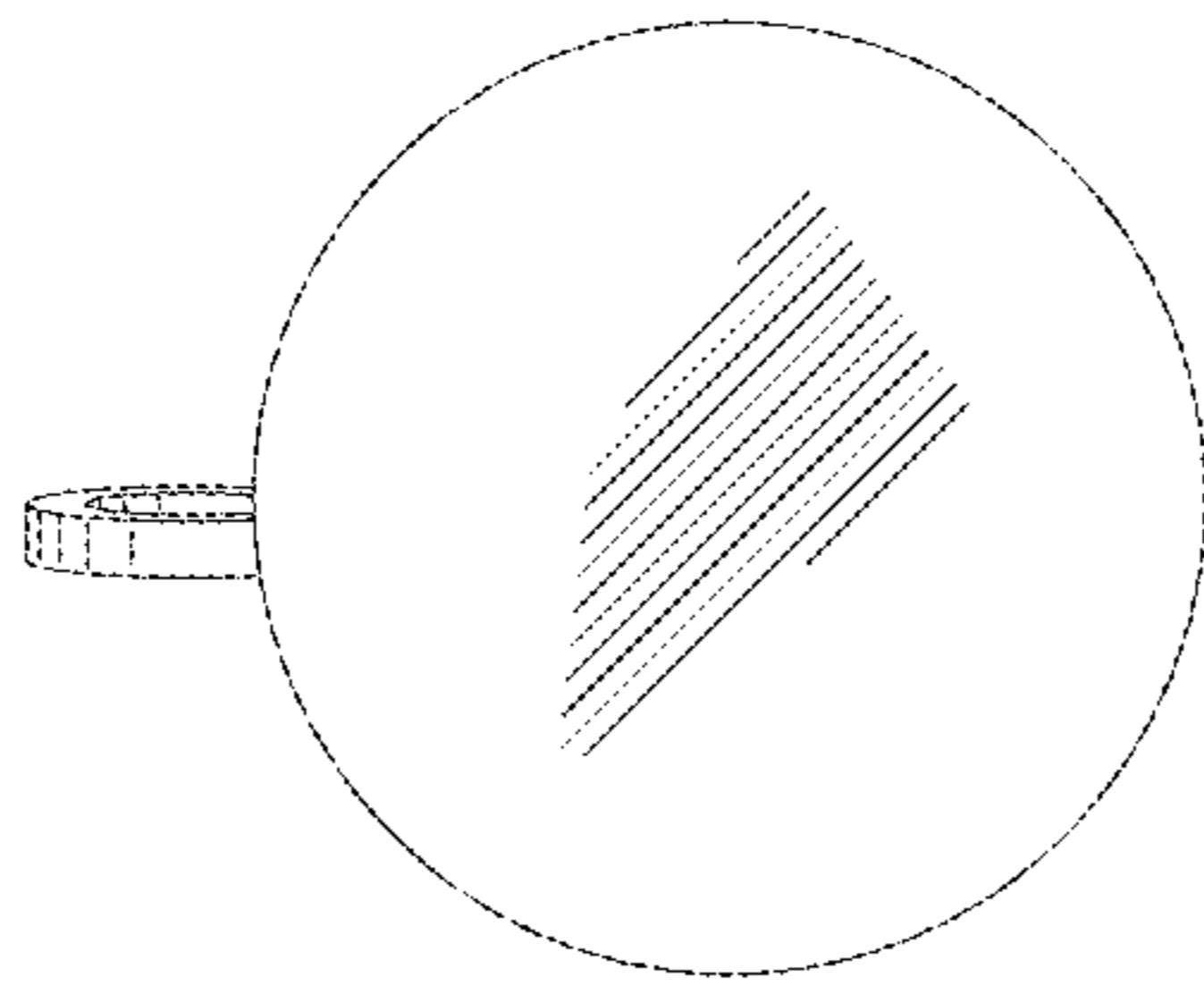


FIG. 5

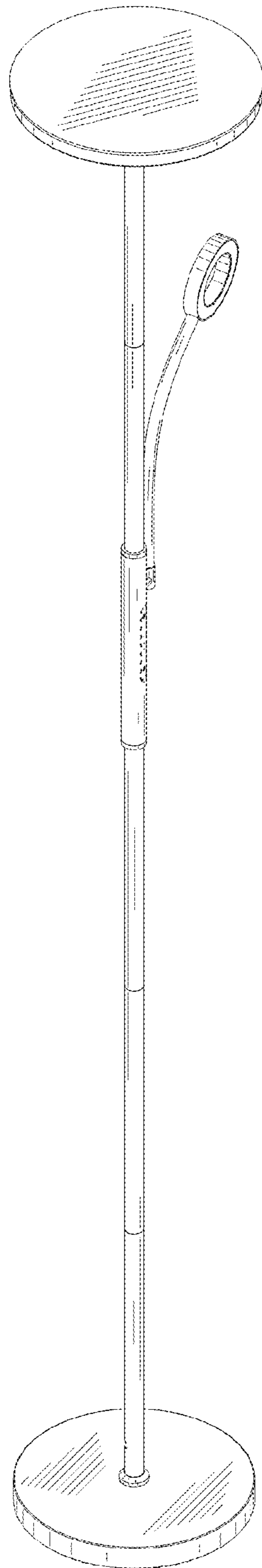


FIG. 6