



US00D979827S

(12) **United States Design Patent** (10) **Patent No.:** **US D979,827 S**  
**Du** (45) **Date of Patent:** **\*\* Feb. 28, 2023**

(54) **LED LIGHT BAR**  
(71) Applicant: **Zhijun Du**, Guangzhou (CN)  
(72) Inventor: **Zhijun Du**, Guangzhou (CN)  
(\*\*) Term: **15 Years**  
(21) Appl. No.: **29/809,457**  
(22) Filed: **Sep. 28, 2021**  
(51) **LOC (14) Cl.** ..... **26-04**  
(52) **U.S. Cl.**  
USPC ..... **D26/76**  
(58) **Field of Classification Search**  
USPC ..... D26/72, 74, 76, 78-83, 85, 86, 87, 88,  
D26/90, 93, 111, 113, 118-122, 138, 139,  
D26/140, 141, 142, 152  
CPC ..... F21S 2/00; F21S 4/00; F21S 4/003; F21S  
4/005; F21S 4/006; F21S 4/007; F21S  
4/008; F21S 6/00; F21S 8/00; F21S  
8/024; F21S 8/026; F21S 8/031; F21S  
8/033; F21S 8/035-037; F21S 8/04; F21S  
8/043; F21S 8/063  
See application file for complete search history.

(56) **References Cited**

U.S. PATENT DOCUMENTS

D452,579 S \* 12/2001 Shemitz ..... D26/76  
D582,576 S \* 12/2008 Liao ..... D26/2  
D603,079 S \* 10/2009 Toot ..... D26/118  
D615,236 S \* 5/2010 Beghelli ..... D26/74  
D643,960 S \* 8/2011 Waldmann ..... D26/74  
D647,246 S \* 10/2011 Chadwick ..... D26/138  
D660,472 S \* 5/2012 Aguiar ..... D26/3  
D713,981 S 9/2014 Law et al.  
D714,484 S \* 9/2014 Barnes ..... D26/72  
D717,479 S 11/2014 Sievers et al.  
D724,249 S \* 3/2015 Maxik ..... D26/76  
D736,432 S 8/2015 Elwell et al.  
D776,314 S 1/2017 Aho

D793,603 S \* 8/2017 Parker ..... D26/76  
D795,486 S 8/2017 Goltche  
D808,061 S \* 1/2018 Wouters ..... D26/78  
D817,534 S \* 5/2018 Noh ..... D26/76  
D818,626 S \* 5/2018 Park ..... D26/76  
D832,125 S 10/2018 Goltche  
D838,028 S \* 1/2019 Lang ..... D26/76  
D840,086 S 2/2019 Deng  
D840,087 S \* 2/2019 Zeng ..... D26/76  
D859,199 S 9/2019 Goltche  
D861,947 S \* 10/2019 Ma ..... D26/72  
D875,974 S 2/2020 Chen et al.  
D875,987 S 2/2020 Ling  
D901,060 S \* 11/2020 Ellis ..... D26/76  
D922,635 S 6/2021 Gong  
D952,934 S \* 5/2022 Stanley ..... D26/118  
D957,025 S \* 7/2022 Qiu ..... D26/72

\* cited by examiner

*Primary Examiner* — Natasha Vujcic

(74) *Attorney, Agent, or Firm* — Xiaofng Zhong

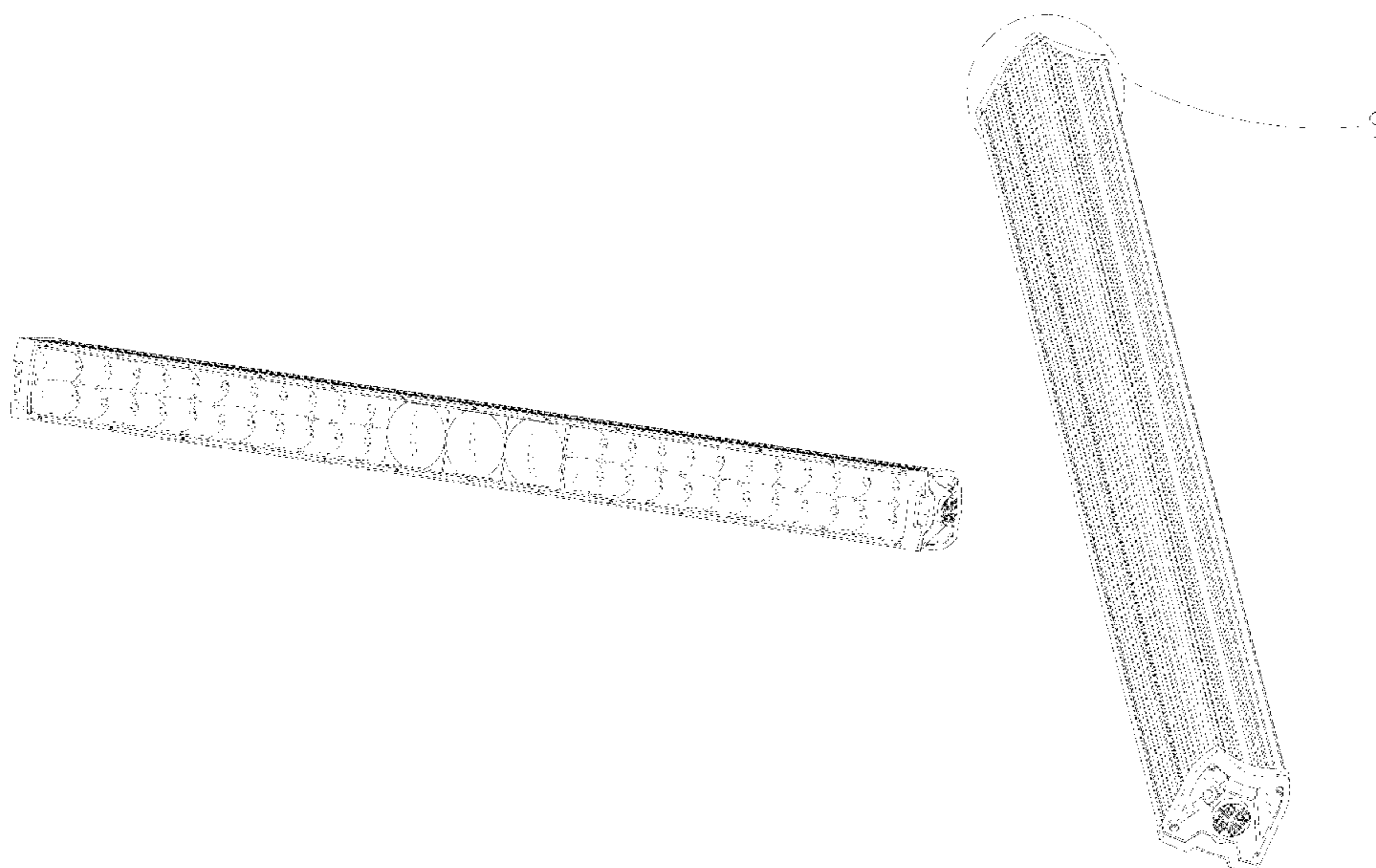
(57) **CLAIM**

The ornamental design for a LED light bar, as shown and described.

**DESCRIPTION**

FIG. 1 is a perspective view of a LED light bar showing my new design;  
FIG. 2 is another perspective view of the LED light bar thereof;  
FIG. 3 is a front elevational view thereof;  
FIG. 4 is a rear elevational view thereof;  
FIG. 5 is a right side view thereof;  
FIG. 6 is a left side view thereof;  
FIG. 7 is a bottom plan view thereof;  
FIG. 8 is a top plan view thereof; and,  
FIG. 9 is an enlarged view of portion 9 of FIG. 2 thereof. The broken lines in the drawings illustrate portions of the LED light bar which form no part of the claimed design.

**1 Claim, 9 Drawing Sheets**



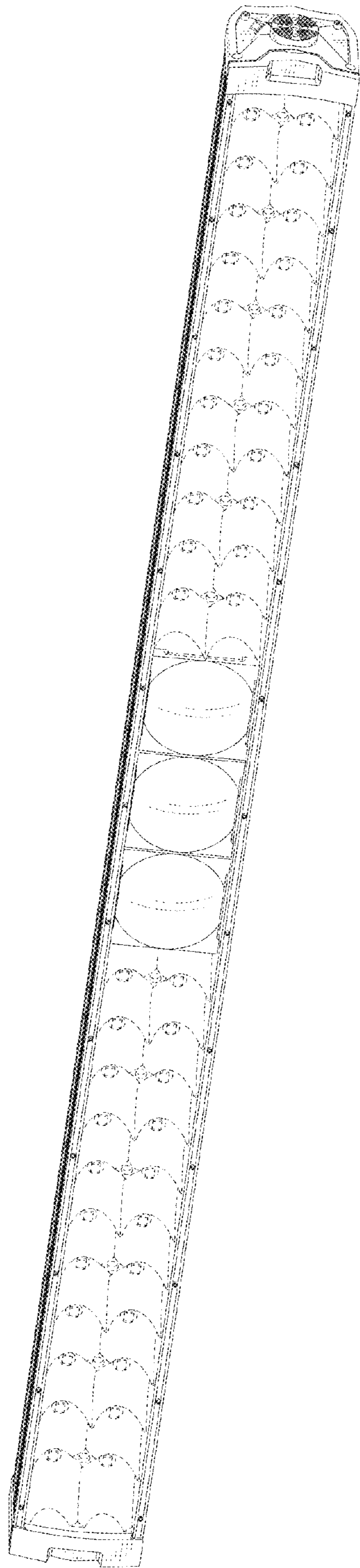


FIG.1



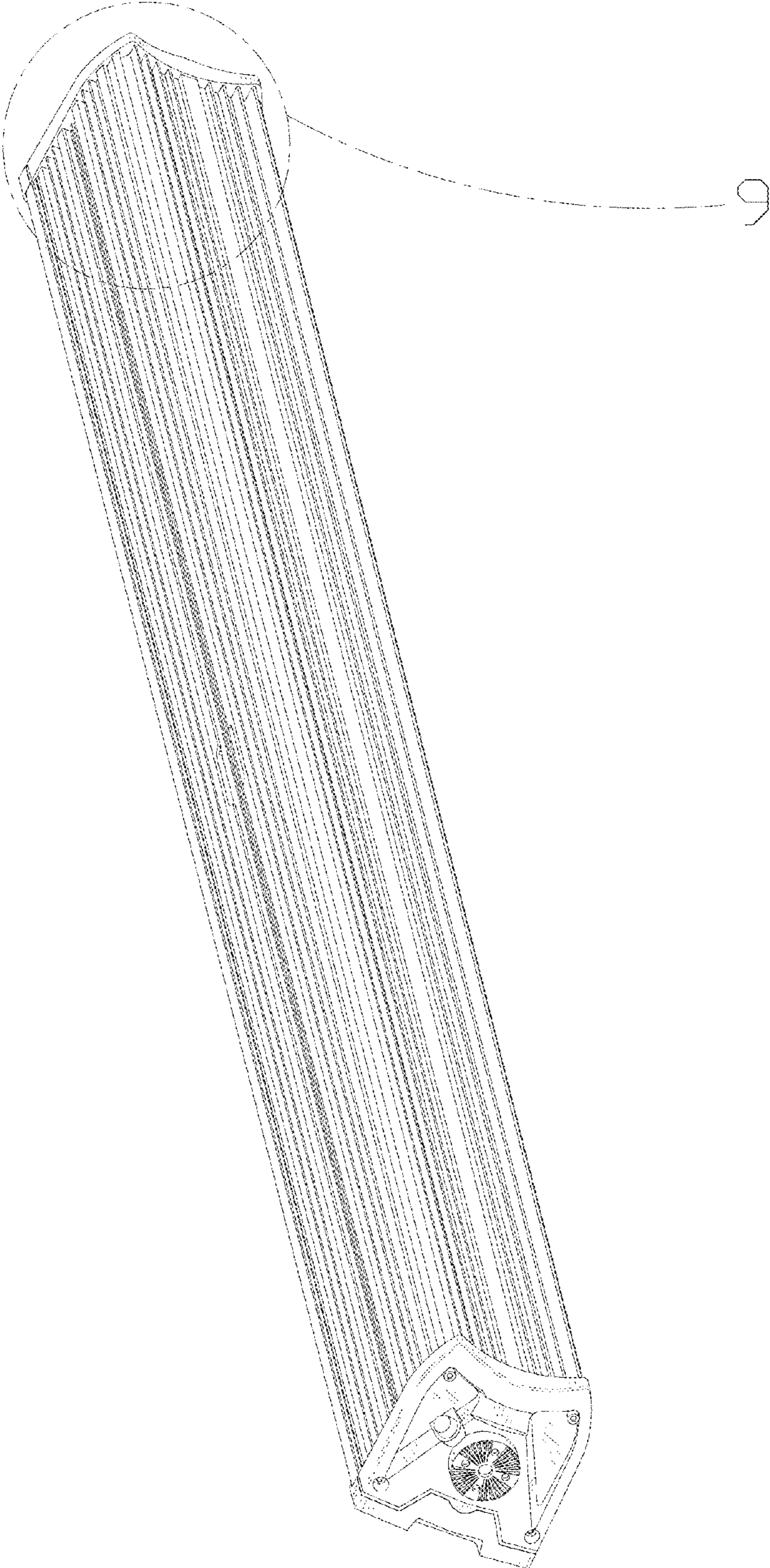


FIG.2

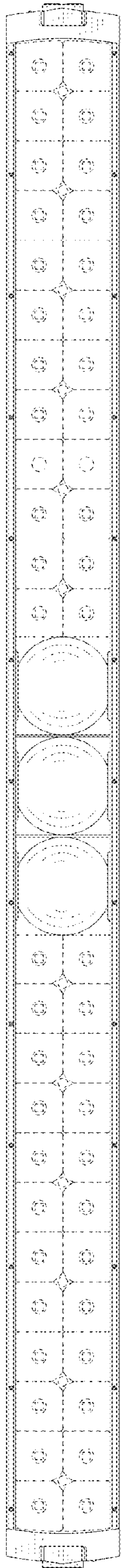


FIG. 3

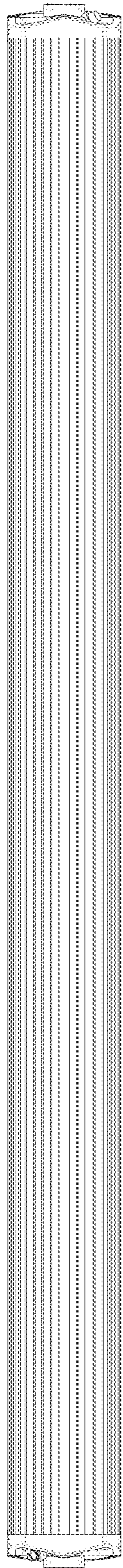


FIG. 4

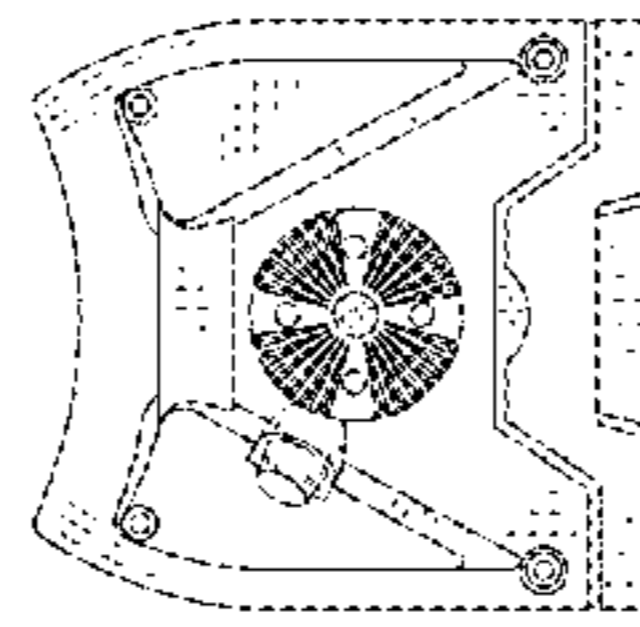


FIG. 5

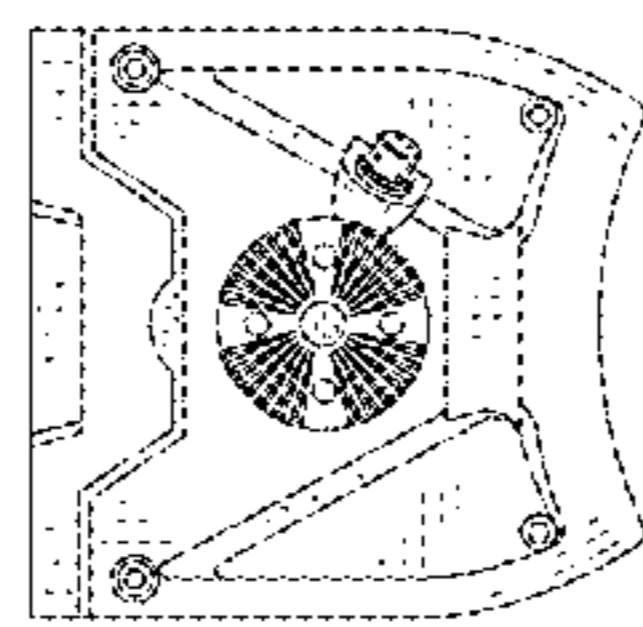


FIG. 6

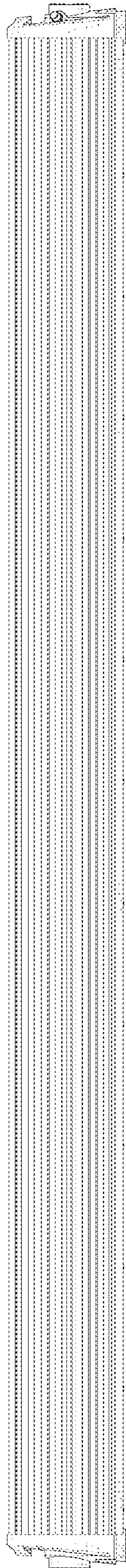


FIG. 7



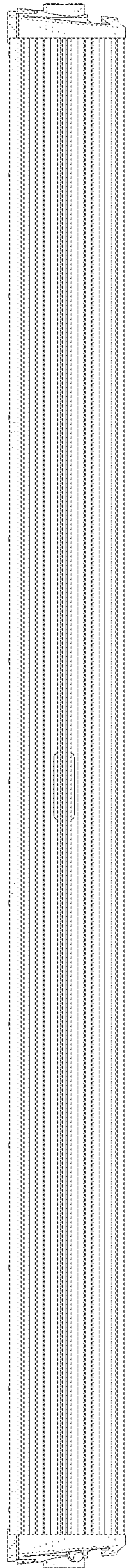


FIG. 8

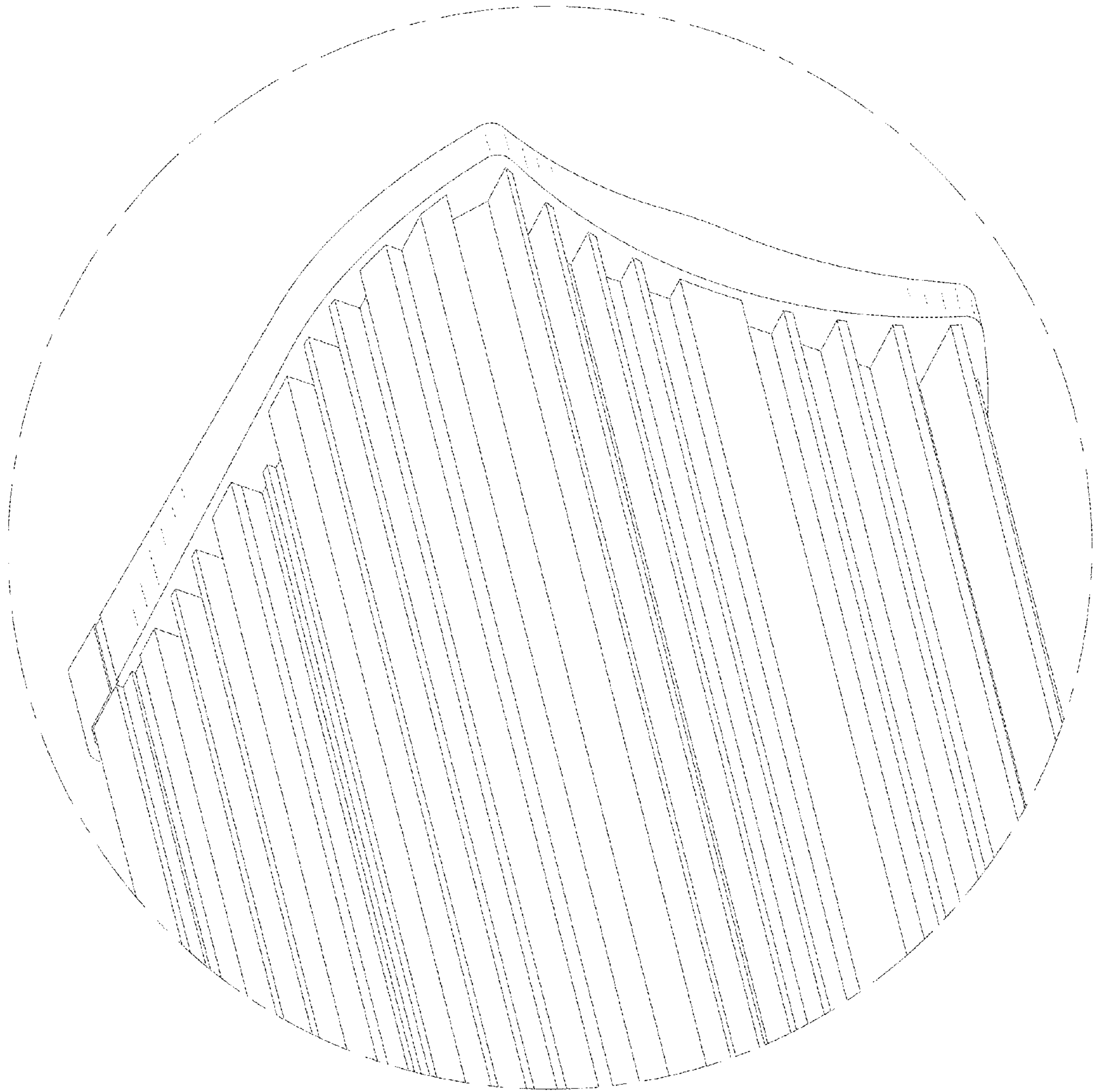


FIG. 9