



US00D979824S

(12) **United States Design Patent**
Ormsbee et al.

(10) **Patent No.:** **US D979,824 S**
(45) **Date of Patent:** **** Feb. 28, 2023**

(54) **LIGHT LINE**

(71) Applicant: **Nite Ize, Inc.**, Boulder, CO (US)

(72) Inventors: **Bowden Ormsbee**, Longmont, CO (US); **Dale Karacostas**, Boulder, CO (US)

(73) Assignee: **Nite Ize, Inc.**, Boulder, CO (US)

(**) Term: **15 Years**

(21) Appl. No.: **29/761,845**

(22) Filed: **Dec. 11, 2020**

(51) **LOC (14) Cl.** **26-05**

(52) **U.S. Cl.**
USPC **D26/62; D26/25**

(58) **Field of Classification Search**
USPC D26/24-25, 27, 37-52, 60-63, 72, 81, D26/88, 113, 138
CPC F21S 4/26; F21S 4/20; F21S 4/10; F21S 4/22; F21S 8/03; F21Y 2115/10; F21Y 2103/10; F21Y 2101/00; F21Y 2113/13; F21V 15/01; F21V 21/08; D07B 1/148
See application file for complete search history.

(56) **References Cited**

U.S. PATENT DOCUMENTS

D453,384 S *	2/2002	Chang	D11/119
6,601,971 B1 *	8/2003	Ko	F21V 9/08 362/419
D525,381 S *	7/2006	Hodgson	D26/62
D749,409 S *	2/2016	Martinson	D8/396
D828,587 S *	9/2018	Kelly	D26/25
D865,232 S *	10/2019	Wu	D26/25
D884,931 S *	5/2020	Yang	D26/24
D935,062 S *	11/2021	Schrenk	D26/1
11,269,125 B1 *	3/2022	Ormsbee	F21V 21/08
2007/0019398 A1	1/2007	Chen et al.		

2011/0286217 A1 11/2011 Martinson et al.
2012/0257377 A1 10/2012 Schrimmer et al.
2016/0245503 A1* 8/2016 Benedict F21V 33/008

OTHER PUBLICATIONS

Nite Ize Radiant Rechargeable ShineLine. By Nite Ize. Dated Dec. 15, 2020. Found online [May 5, 2022]. <https://www.amazon.com/Nite-Ize-Rechargeable-ShineLine-Cordless/dp/B08QRJL3TR> (Year: 2020).*

International Search Report and Written Opinion dated Jan. 13, 2022 issued in related PCT App. No PCT/US2021/072854 (5 pages).

* cited by examiner

Primary Examiner — Marissa J Cash

Assistant Examiner — William B Melliar

(74) *Attorney, Agent, or Firm* — Haynes and Boone LLP

(57) **CLAIM**

The ornamental design for the light line, as shown and described.

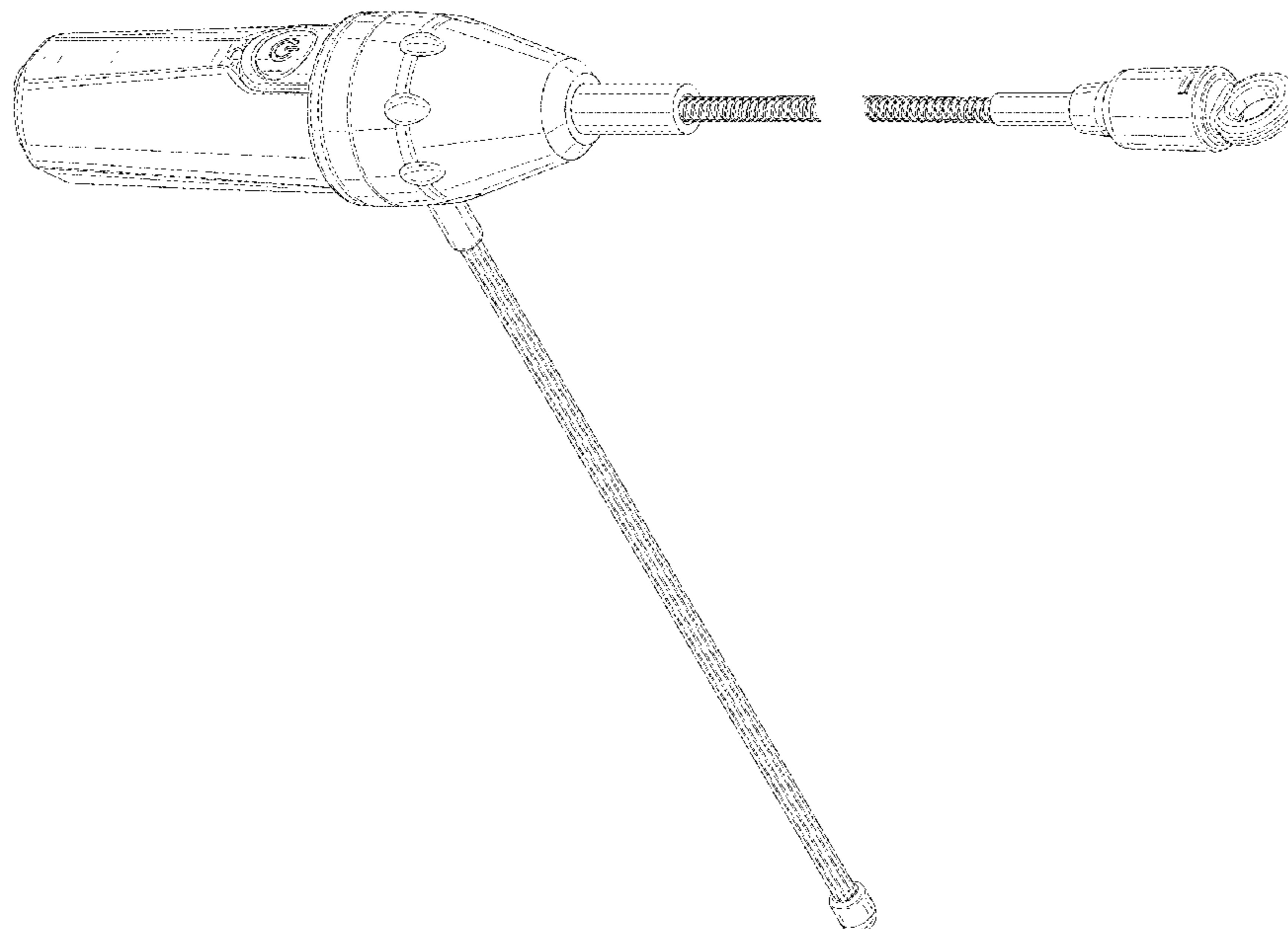
DESCRIPTION

FIG. 1 shows a front perspective view of a light line; FIG. 2 shows a front view of the light line of FIG. 1; FIG. 3 shows a rear view of the light line of FIG. 1; FIG. 4 shows a right side view of the light line of FIG. 1; FIG. 5 shows a left side view of the light line of FIG. 1; FIG. 6 shows a top view of the light line of FIG. 1; and, FIG. 7 shows a bottom view of the light line of FIG. 1.

The broken lines in the drawings depict portions of the light line that form no part of the claimed design.

The light line is shown with a symbolic break in its length. The appearance of any portion of the article between the break lines forms no part of the claimed design.

1 Claim, 5 Drawing Sheets



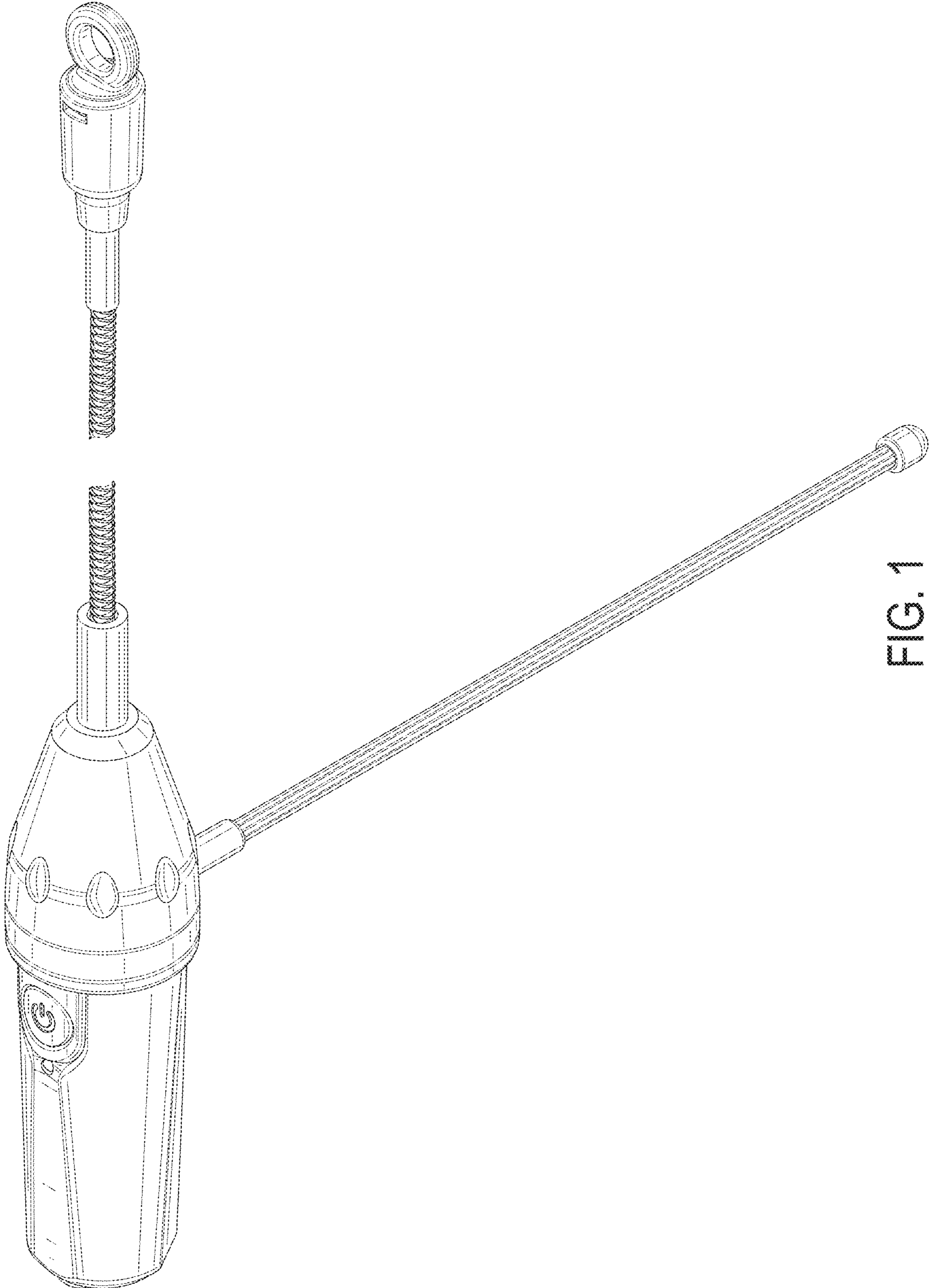


FIG. 1

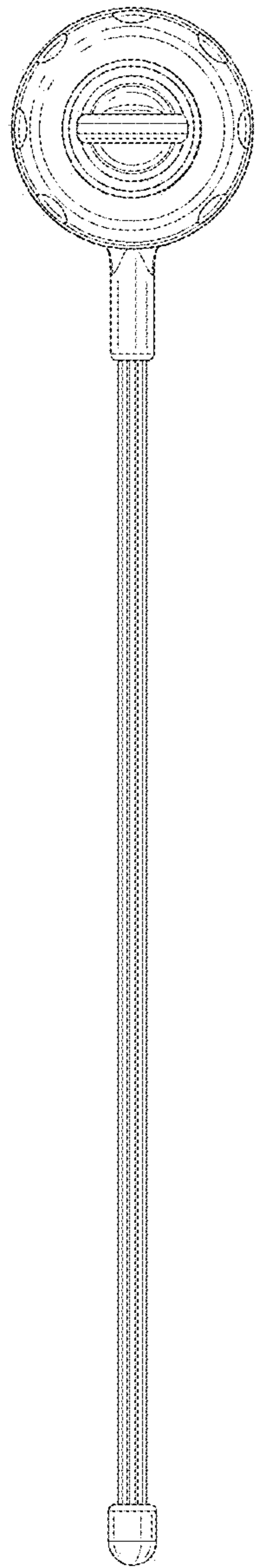


FIG. 2

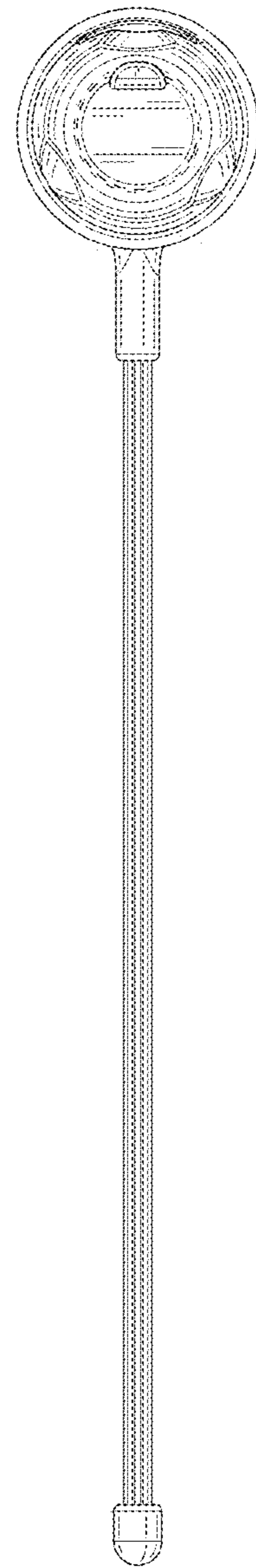


FIG. 3

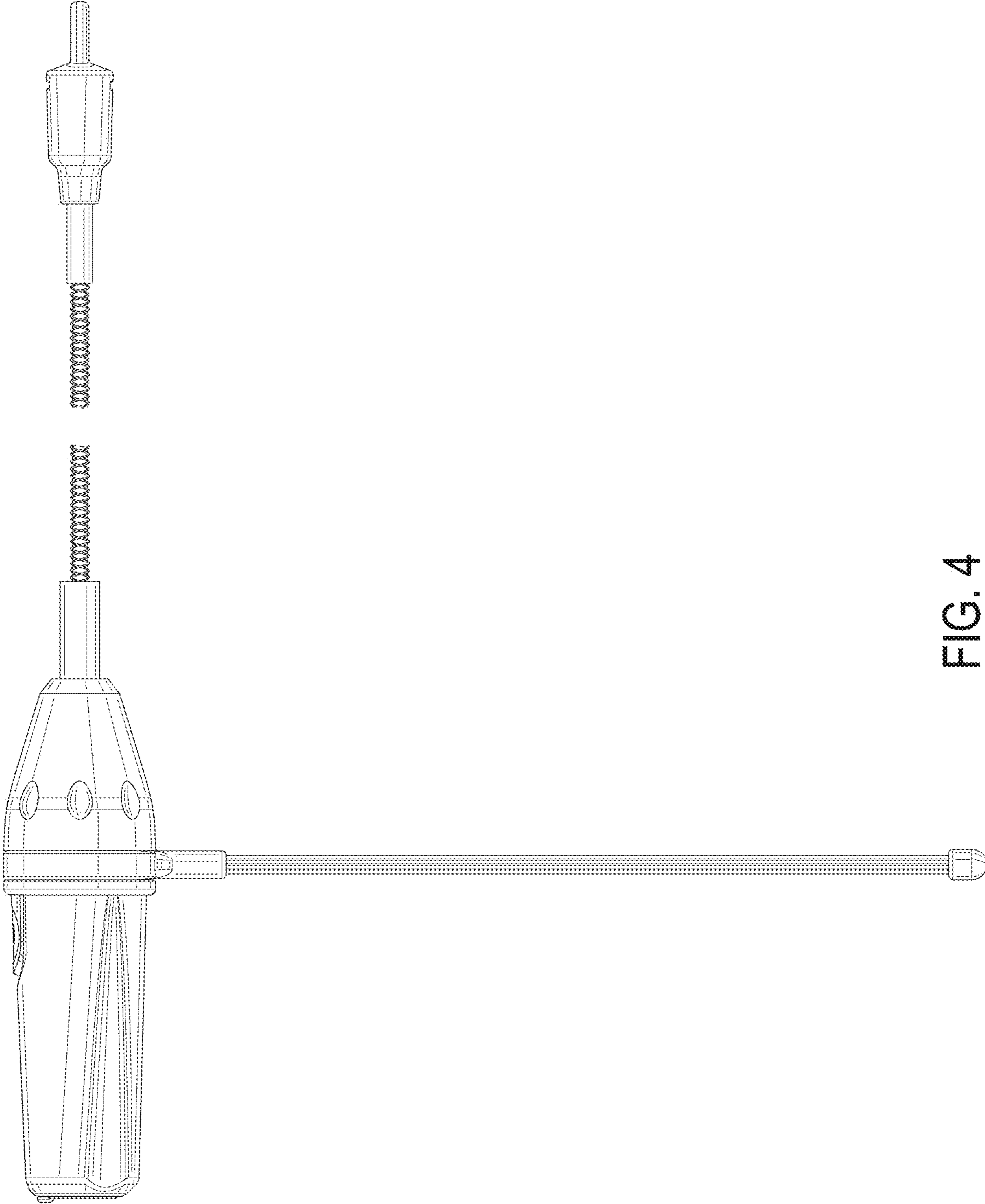


FIG. 4

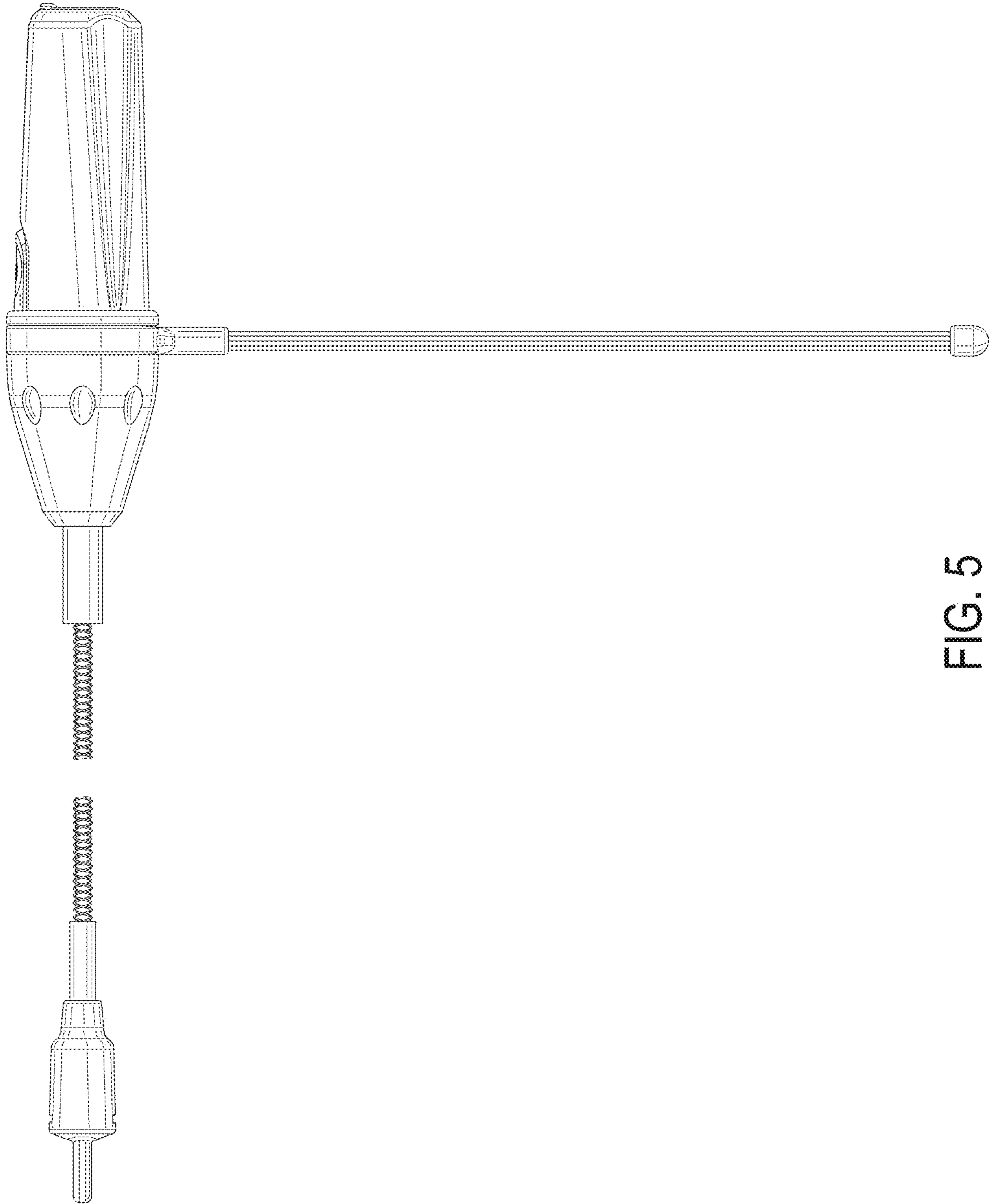


FIG. 5

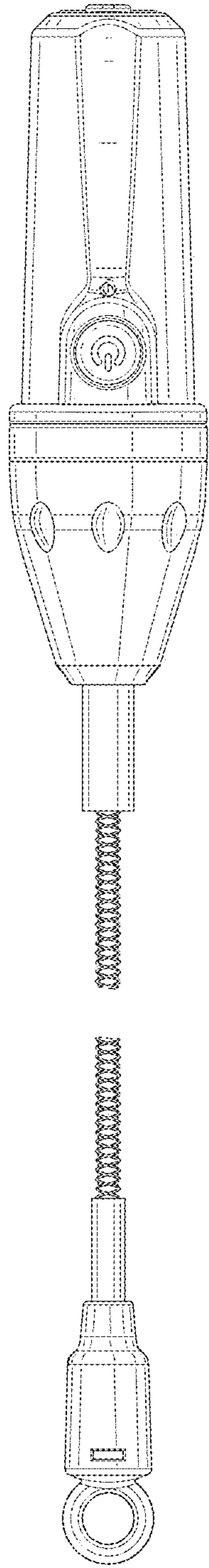


FIG. 6

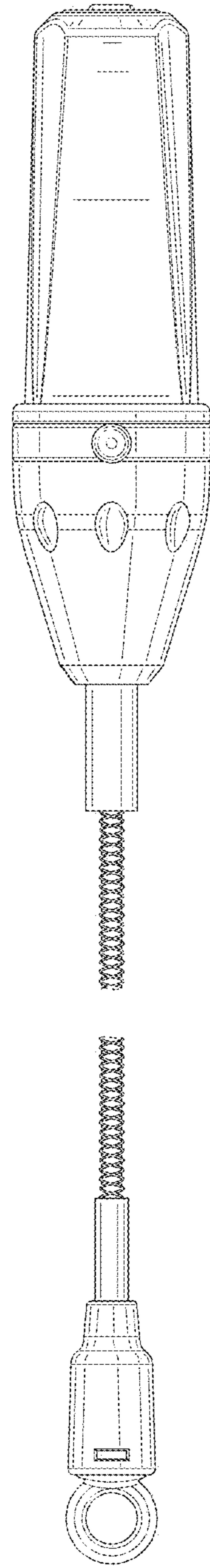


FIG. 7