



US00D979823S

(12) **United States Design Patent**
Wang

(10) **Patent No.:** **US D979,823 S**

(45) **Date of Patent:** **** Feb. 28, 2023**

- (54) **GROW LIGHT FOR PLANTS**
- (71) Applicant: **TWILIGHT GROUP CO., LIMITED**,
Shenzhen (CN)
- (72) Inventor: **Min Wang**, Shenzhen (CN)
- (73) Assignee: **TWILIGHT GROUP CO., LIMITED**,
Shenzhen (CN)

D908,267 S *	1/2021	Tang	D26/102
D919,874 S *	5/2021	Tang	D26/106
D921,255 S *	6/2021	Jia	D26/60
D929,022 S *	8/2021	Tang	D26/102
D948,096 S *	4/2022	Zhang	D26/60
D948,097 S *	4/2022	Zhang	D26/60
D950,121 S *	4/2022	He	D26/60
D950,819 S *	5/2022	Guo	D26/60
D952,219 S *	5/2022	Huang	D26/102
D958,431 S *	7/2022	Lai	D26/60
D962,515 S *	8/2022	Huang	D26/60

(**) Term: **15 Years**

(21) Appl. No.: **29/824,106**

(22) Filed: **Jan. 21, 2022**

(51) **LOC (14) Cl.** **26-05**

(52) **U.S. Cl.**
USPC **D26/60**

(58) **Field of Classification Search**
USPC D26/60-63, 72, 74, 76, 78-83, 85, 86,
D26/87, 88, 90, 93, 102, 106, 107, 138,
D26/139, 140, 141, 142, 152
CPC F21S 2/00; F21S 4/00; F21S 4/003; F21S
4/005; F21S 4/006; F21S 4/007; F21S
4/008; F21S 6/00; F21S 8/00; F21S
8/024; F21S 8/026; F21S 8/031; F21S
8/033; F21S 8/035-037; F21S 8/04; F21S
8/043; F21S 8/063
See application file for complete search history.

(56) **References Cited**

U.S. PATENT DOCUMENTS

D822,877 S *	7/2018	Kaiser	D26/107
D878,654 S	3/2020	Lin		
D903,174 S *	11/2020	Chen	D26/106

FOREIGN PATENT DOCUMENTS

CN 304861752 S 10/2018

* cited by examiner

Primary Examiner — Natasha Vujcic

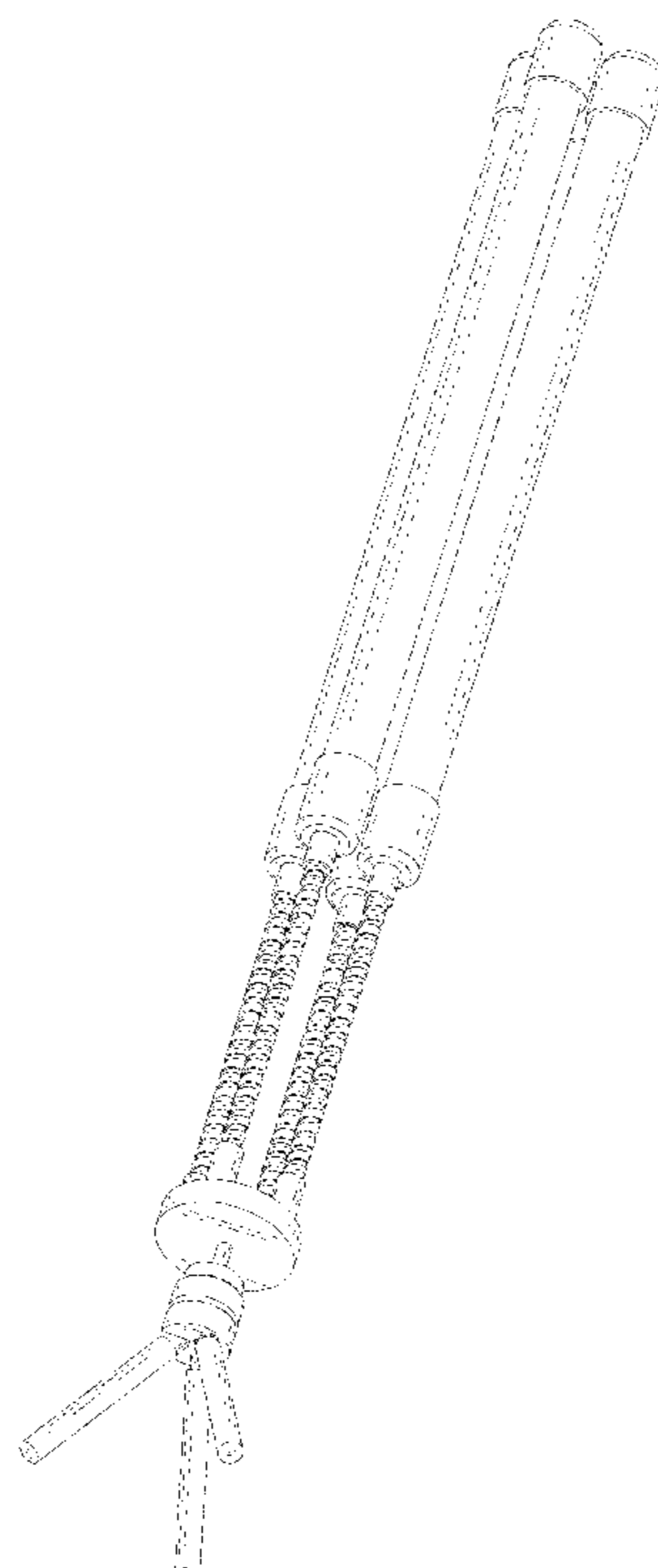
(57) **CLAIM**

The ornamental design for a grow light for plants, as shown and described.

DESCRIPTION

FIG. 1 is a perspective view of a grow light for plants, showing my new design;
FIG. 2 is a front elevational view thereof;
FIG. 3 is a rear elevational view thereof;
FIG. 4 is a left side elevational view thereof;
FIG. 5 is a right side elevational view thereof;
FIG. 6 is an enlarged top plan elevational view thereof; and,
FIG. 7 is an enlarged bottom plan elevational view thereof.
The broken lines shown in the figure illustrate portions of the grow light for plants that form no part of the claimed design.

1 Claim, 4 Drawing Sheets



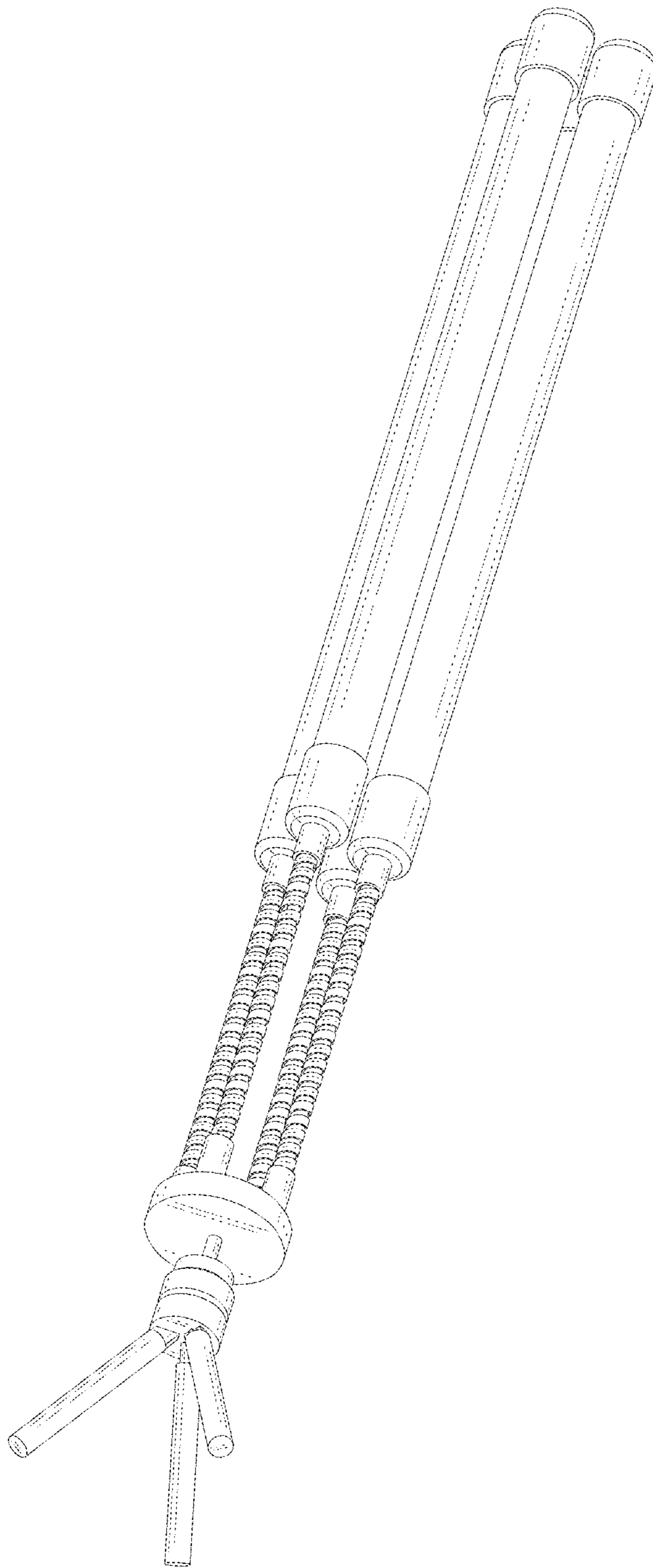


FIG. 1

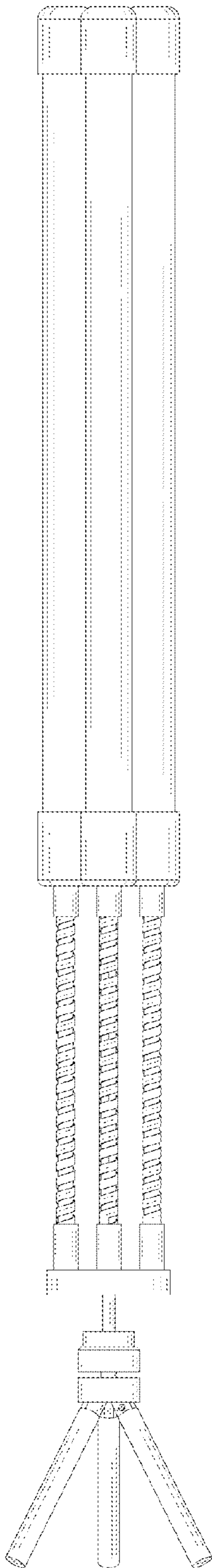


FIG. 2

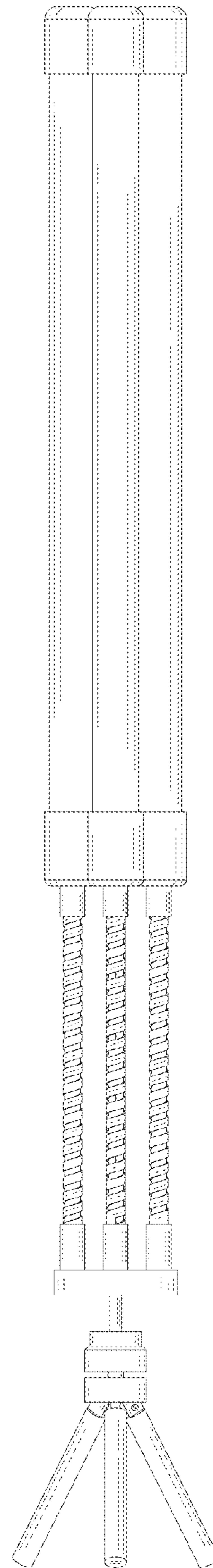


FIG. 3

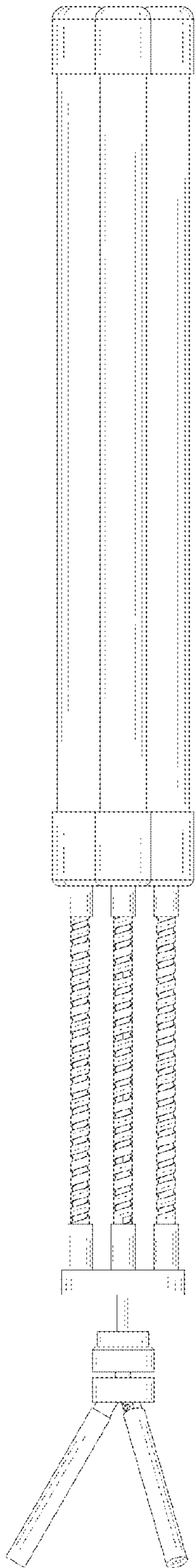


FIG. 4

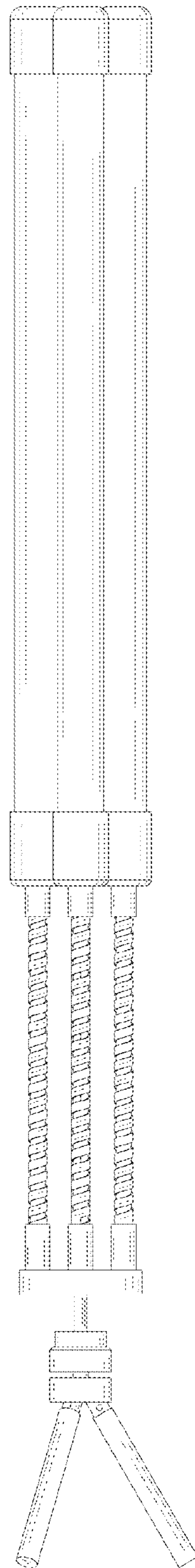


FIG. 5

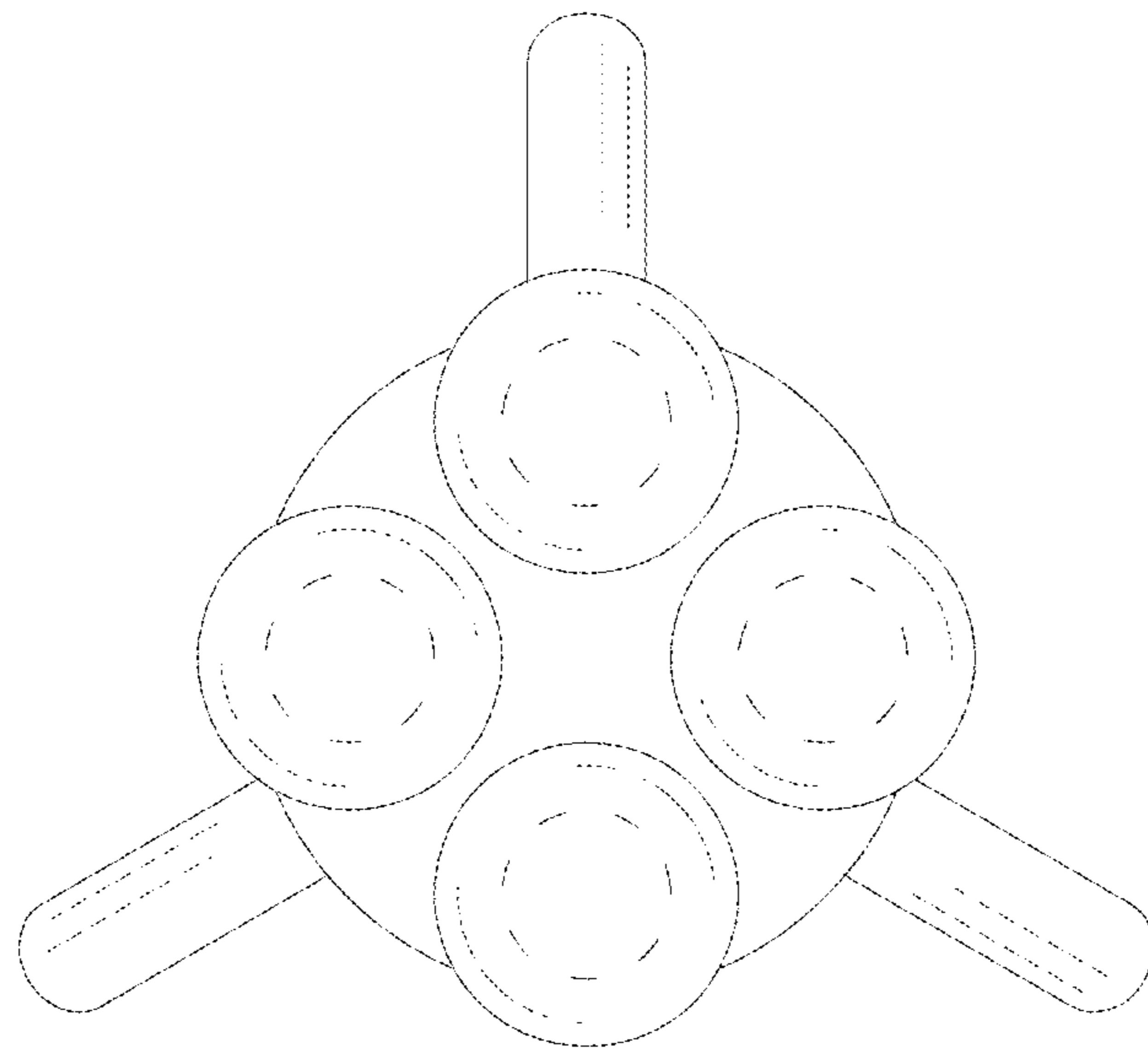


FIG. 6

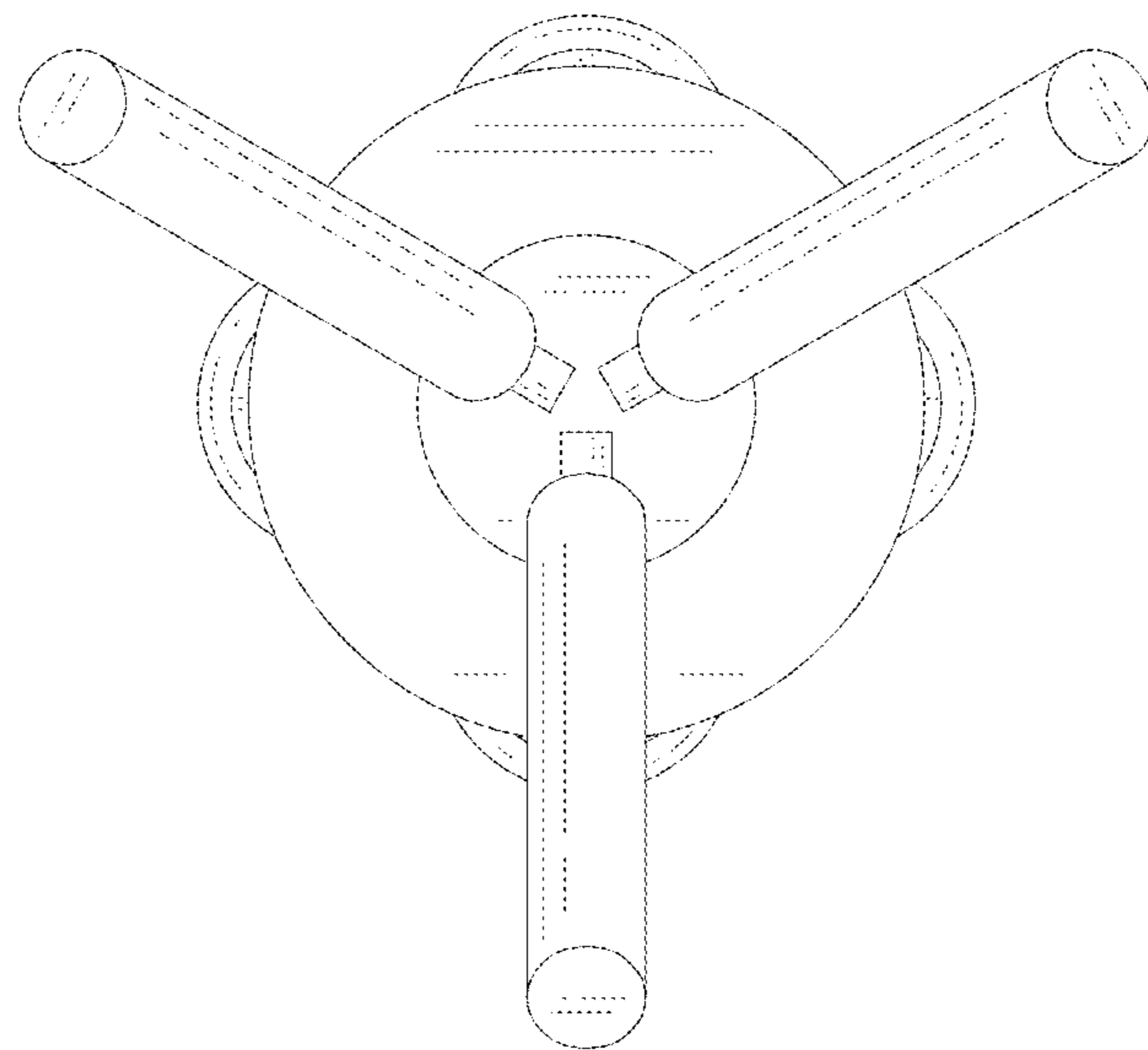


FIG. 7