



US00D979822S

(12) **United States Design Patent**  
**Kunzendorf et al.**

(10) **Patent No.:** **US D979,822 S**

(45) **Date of Patent:** **\*\* Feb. 28, 2023**

(54) **FLASHLIGHT**

(71) Applicant: **Ledlenser GmbH & Co. KG**, Solingen (DE)

(72) Inventors: **André Kunzendorf**, Wuppertal (DE); **Bin Xiao**, Düsseldorf (DE); **Tobias Schleder**, Cologne (DE)

(73) Assignee: **LEDLENSER GMBH & CO. KG**, Solingen (DE)

(\*\*) Term: **15 Years**

(21) Appl. No.: **29/739,405**

(22) Filed: **Jun. 25, 2020**

(30) **Foreign Application Priority Data**

Jan. 7, 2020 (EM) ..... 007483359-0005

Jan. 7, 2020 (EM) ..... 007483359-0006

(51) **LOC (14) Cl.** ..... **26-02**

(52) **U.S. Cl.**  
USPC ..... **D26/49**

(58) **Field of Classification Search**

USPC ..... D26/24, 37-51, 113

CPC ..... F21Y 2115/10; F21Y 2113/13; F21Y 2101/00; F21Y 2103/10; F21Y 2107/40; F21Y 2105/10; F21Y 2105/18; F21Y 2113/00; F21Y 2113/10; F21Y 2113/17; F21Y 2113/20; F21L 4/005; F21L 4/027;

(Continued)

(56) **References Cited**

**U.S. PATENT DOCUMENTS**

D529,643 S \* 10/2006 Kung ..... D26/37

D554,281 S \* 10/2007 Bushee ..... D26/37

(Continued)

**OTHER PUBLICATIONS**

The 6 Best Flashlights for Everyday Use. By Brad Ford. Dated Mar. 7, 2021. Found online [Nov. 9, 2021]. <https://www.popularmechanics.com/technology/gadgets/g3035/best-flashlight/> (Year: 2021).\*

(Continued)

*Primary Examiner* — Marissa J Cash

*Assistant Examiner* — William B Melliar

(74) *Attorney, Agent, or Firm* — Alston & Bird LLP

(57) **CLAIM**

The ornamental design for a flashlight, as shown and described.

**DESCRIPTION**

FIG. 1 is a perspective view of a flashlight according to our new design;

FIG. 2 is a front elevation view thereof;

FIG. 3 is a rear elevation view thereof;

FIG. 4 is a right side elevation view thereof;

FIG. 5 is a left side elevation view thereof;

FIG. 6 is a top elevation view thereof; and

FIG. 7 is a bottom plan view thereof.

FIG. 8 is a bottom plan view of a flashlight according to our new design;

FIG. 9 is a left side elevation view thereof;

FIG. 10 is a top elevation view thereof;

FIG. 11 is a right side elevation view thereof;

FIG. 12 is a front elevation view thereof;

FIG. 13 is a rear elevation view thereof;

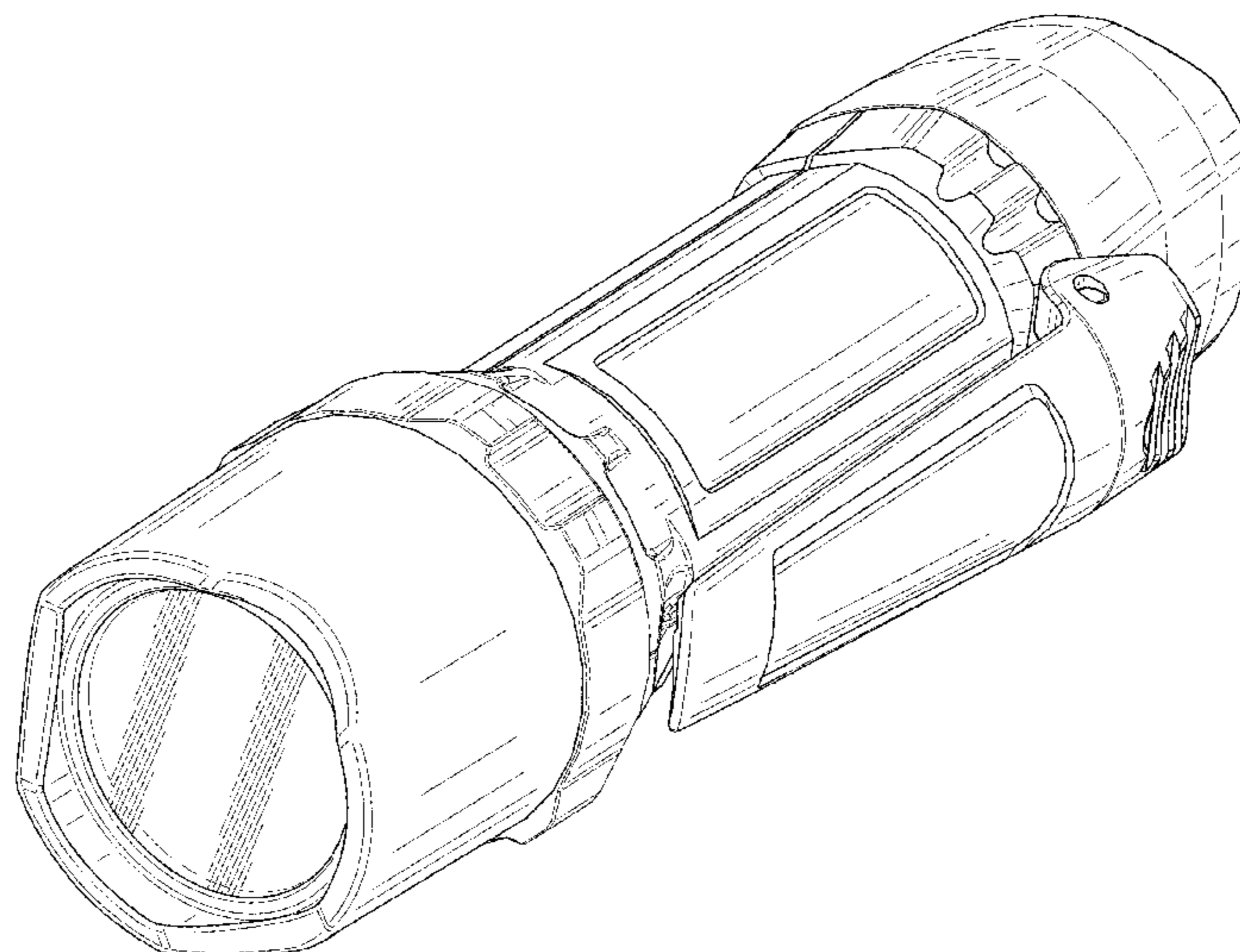
FIG. 14 is a perspective view thereof; and,

FIG. 15 is another perspective view thereof.

The broken lines in the FIGS. 2 and 3 of the drawings depict portions of the flashlight that form no part of the claimed design.

The part of the photograph shown in a coarser dot pattern within the broken-line perimeter as well as the broken-line perimeter itself of FIGS. 12 and 13 of the drawings illustrates a portion of the flashlight that forms no part of the claimed design.

**1 Claim, 14 Drawing Sheets**



(58) **Field of Classification Search**

CPC ... F21L 4/085; F21L 4/08; F21L 4/045; F21L 4/00; F21L 4/02; F21L 4/022; F21L 4/04; F21L 4/025; F21L 13/00; F21L 14/02; F21L 2/00; F21V 23/0414; F21V 23/0428; F21V 23/0421; F21V 21/0965; F21V 15/01; F21V 21/0885; F21V 21/406; F21V 23/0407; F21V 23/06; F21V 33/0064; F21V 33/0084; F21V 14/025; F21V 23/04; F21V 14/065; F21V 21/084; F21V 23/003; F21V 5/006; F21V 5/04; F21V 21/08; F21V 23/0435; F21V 23/0464; F21V 31/00; F21V 31/005; F21V 33/0076; F21V 33/008; F21V 7/0075; F21V 14/045; F21V 15/012; F21V 17/12; F21V 19/02; F21V 21/0816; F21V 21/0925; F21V 21/30; F21V 23/0471; F21V 3/00; F21V 13/045; F21V 17/10; F21V 21/096; F21V 21/145; F21V 23/023; F21V 23/0442; F21V 29/70; F21V 33/0068; F21V 9/083; F21V 9/20; F21V 11/08; F21V 13/14; F21V 14/04; F21V 14/06; F21V 14/085; F21V 15/00; F21V 17/002; F21V 17/02; F21V 17/06; F21V 17/105; F21V 17/107; F21V 19/001; F21V 19/047; F21V 21/00; F21V 21/002; F21V 21/06; F21V 21/14; F21V 21/22; F21V 21/26; F21V 21/32; F21V 23/001; F21V 23/002; F21V 23/005; F21V 23/02; F21V 23/045; F21V 23/0492; F21V 25/04; F21V 29/15; F21V 29/503; F21V 29/508; F21V 29/713; F21V 29/763; F21V 29/767; F21V 29/89; F21V 29/90; F21V 33/00; F21V 33/0004; F21V 33/0036; F21V 33/0052; F21V

3/02; F21V 5/00; F21V 5/008; F21V 5/046; F21V 5/048; F21V 5/08; F21V 7/00; F21V 7/0008; F21V 7/0083; F21V 7/0091; F21V 7/04; F21V 7/041; F21V 7/06; F21V 7/22; F21V 7/24; F41G 1/35; F41G 11/003; F41G 1/34; F41G 1/345; F41G 11/001; F41G 1/36; F41G 3/2655; F41G 1/04

See application file for complete search history.

(56)

**References Cited**

U.S. PATENT DOCUMENTS

D557,838	S	*	12/2007	Shiu	.....	D26/37
D565,213	S	*	3/2008	Chan	.....	D26/37
D566,309	S	*	4/2008	Kornfeld	.....	D26/37
D590,970	S	*	4/2009	Kornfeld	.....	D26/37
D685,940	S	*	7/2013	Lee	.....	D26/49
D706,475	S	*	6/2014	Lee	.....	D26/49
D814,087	S	*	3/2018	Cao	.....	D26/49
D816,251	S	*	4/2018	Johnson	.....	D26/49
D843,624	S	*	3/2019	Son	.....	D26/49
D846,782	S	*	4/2019	Huang	.....	D26/49
D882,138	S	*	4/2020	Bao	.....	D26/49
D907,266	S	*	1/2021	Christensen	.....	D26/49
D914,257	S	*	3/2021	Windom	.....	D26/37
D925,082	S	*	7/2021	Fan	.....	D26/49
D927,031	S	*	8/2021	Liu	.....	D26/49

OTHER PUBLICATIONS

Coast Polysteel LED Flashlight. By Coast. Dated Jan. 26, 2017. Found online [Nov. 9, 2021]. <https://www.homedepot.com/p/Coast-Polysteel-400-Heavy-Duty-440-Lumen-Storm-Proof-LED-Flashlight-with-Twist-Focus-21408/300423101> (Year: 2017).\*

\* cited by examiner

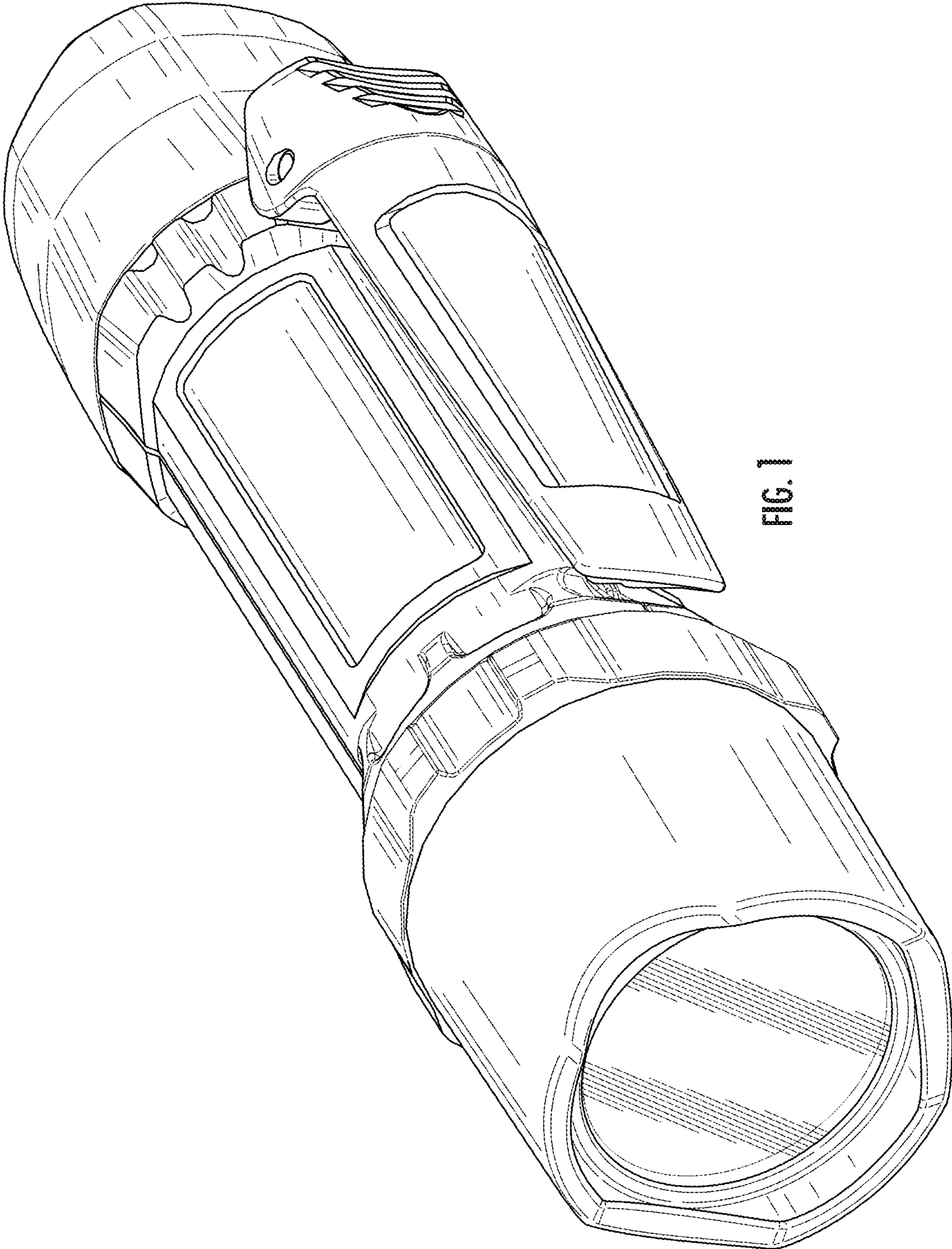


FIG. 1

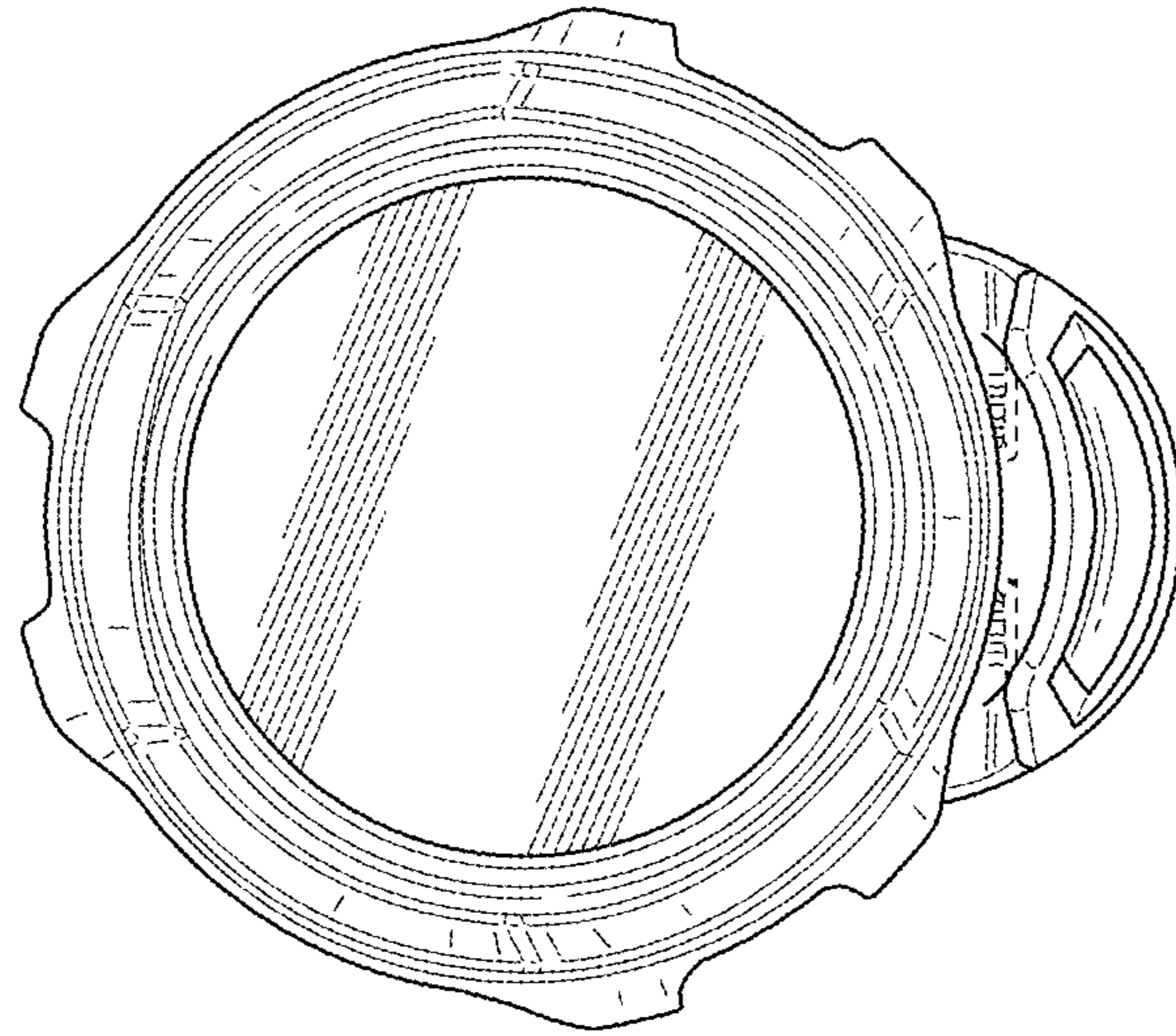


FIG. 2

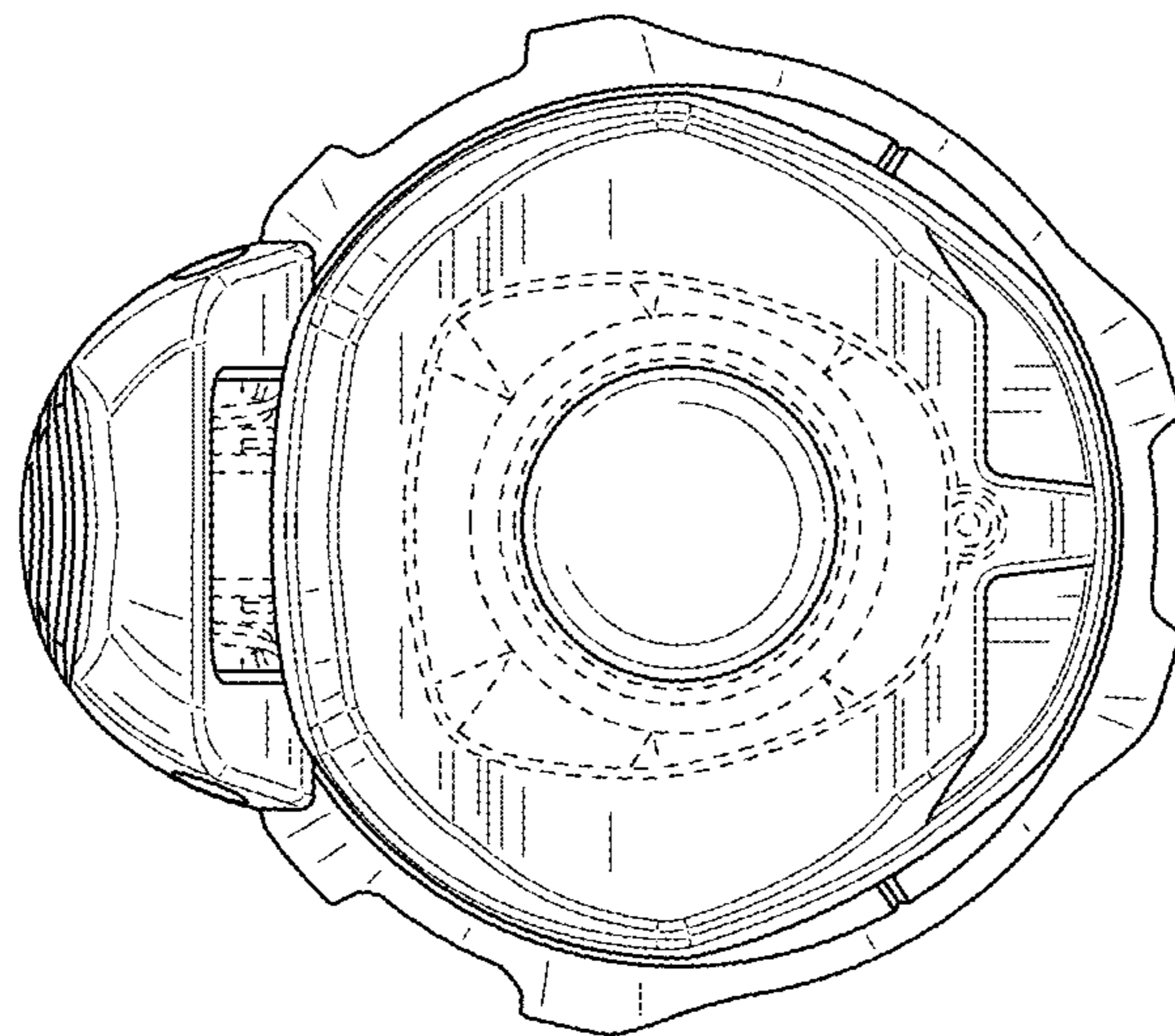


FIG. 3

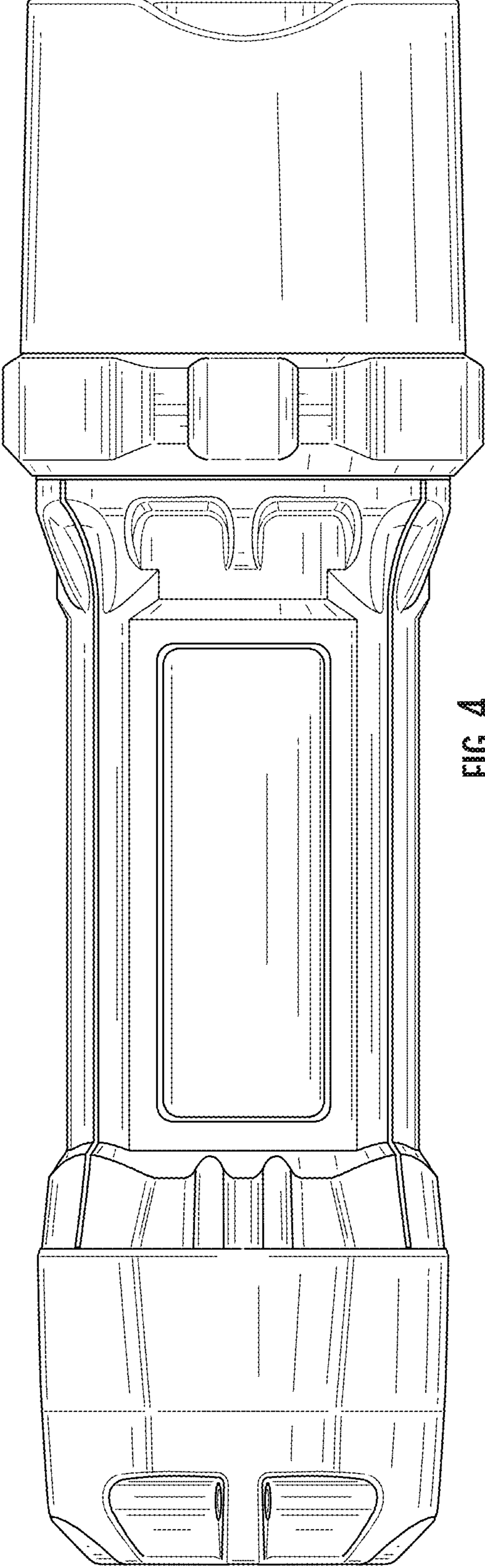


FIG. 4

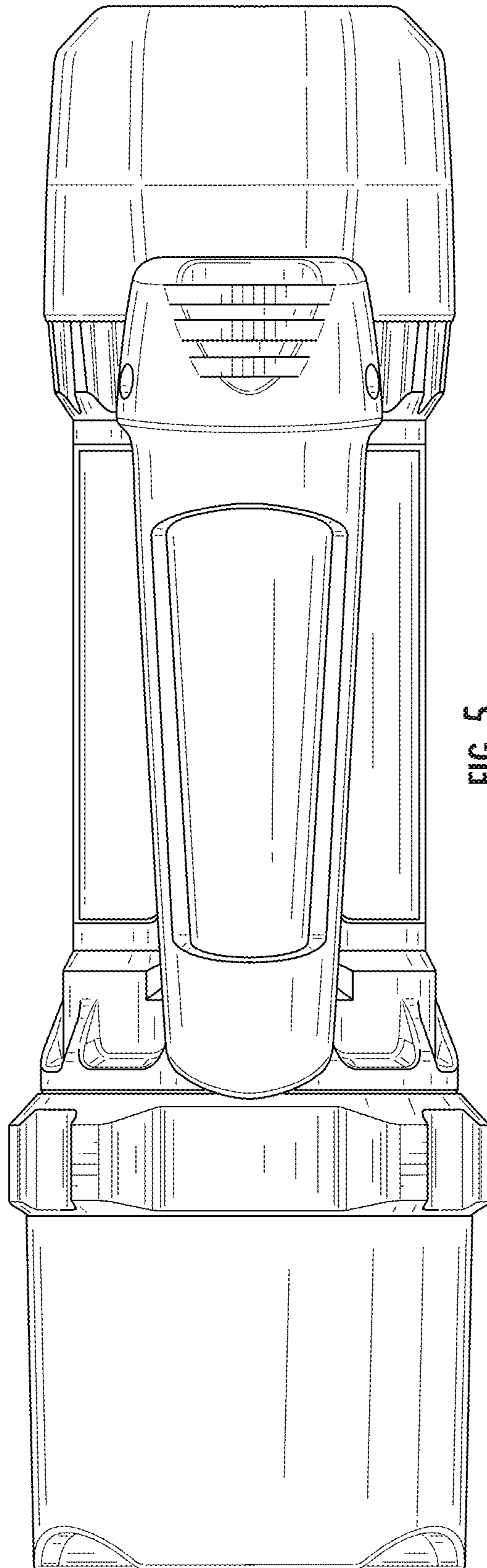


FIG. 5

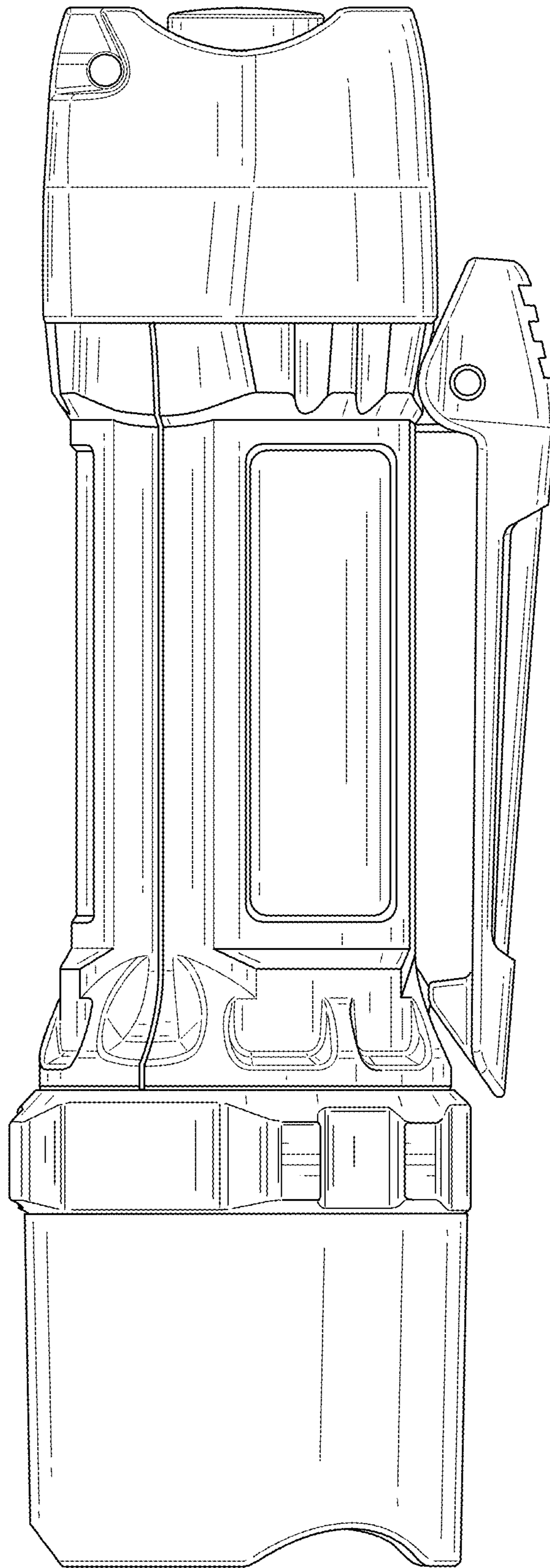


FIG. 6

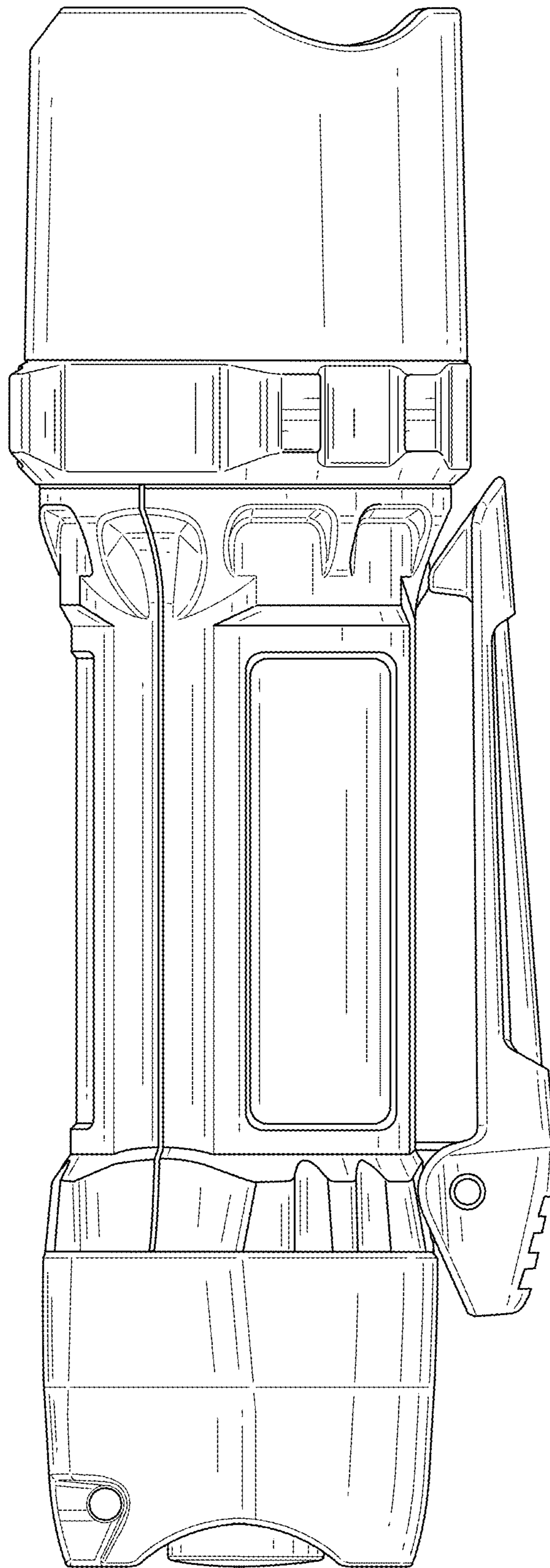


FIG. 7



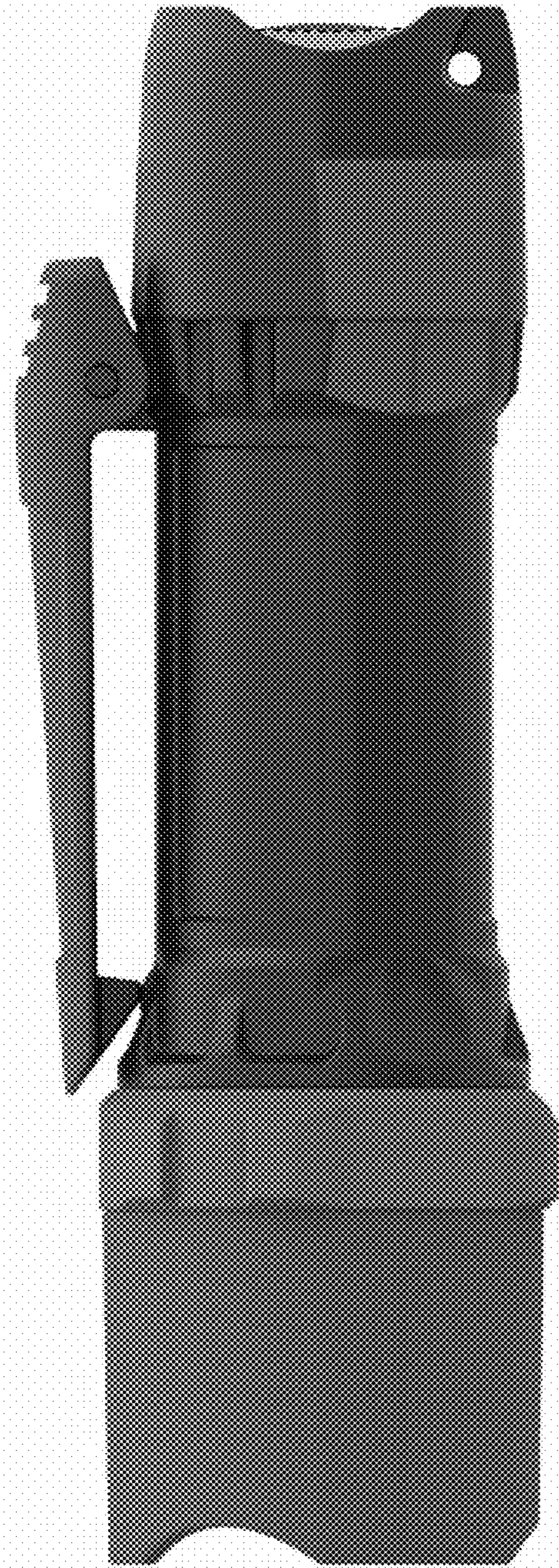


FIG. 8

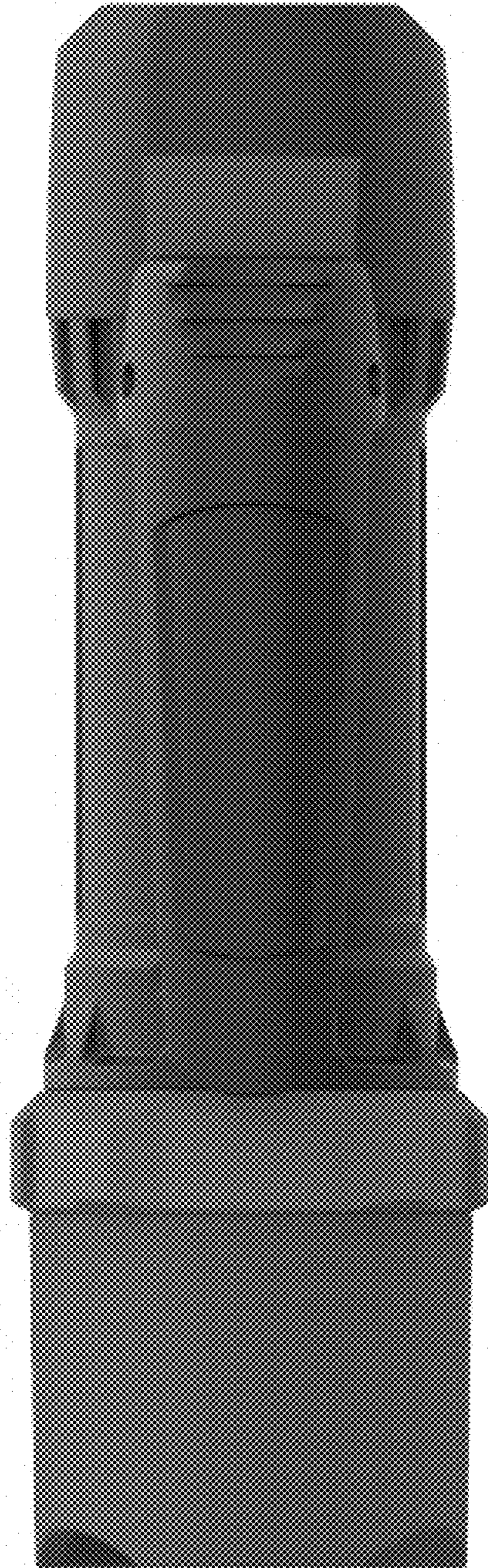


FIG. 9



FIG. 10

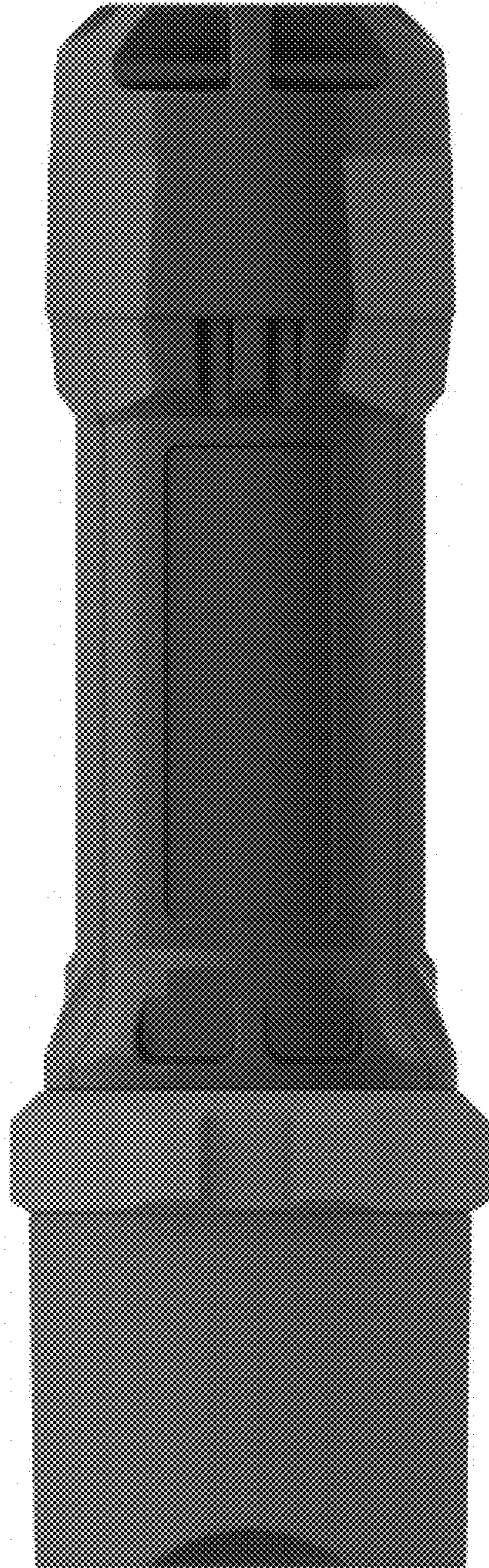


FIG. 11



FIG. 12

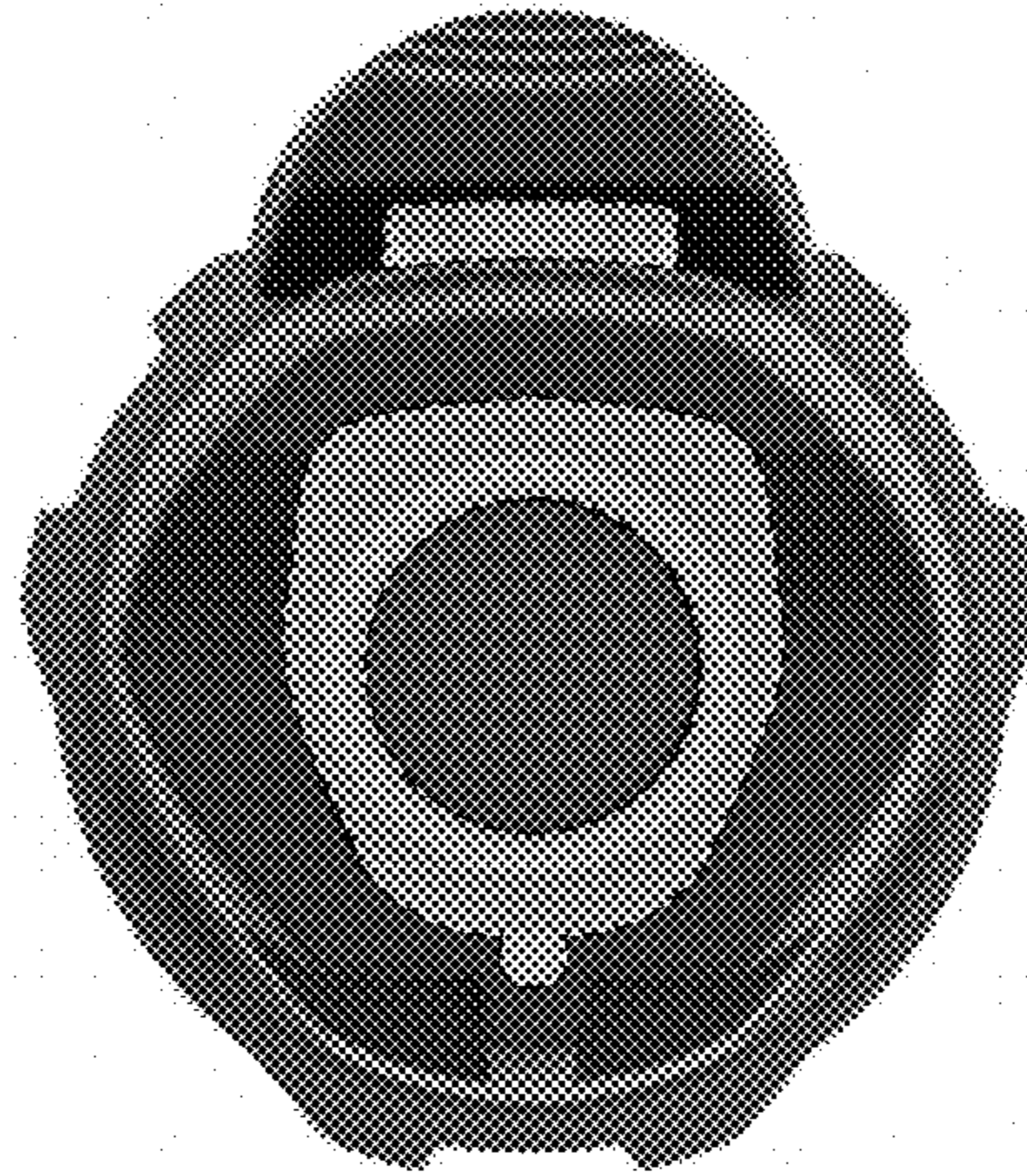


FIG. 13

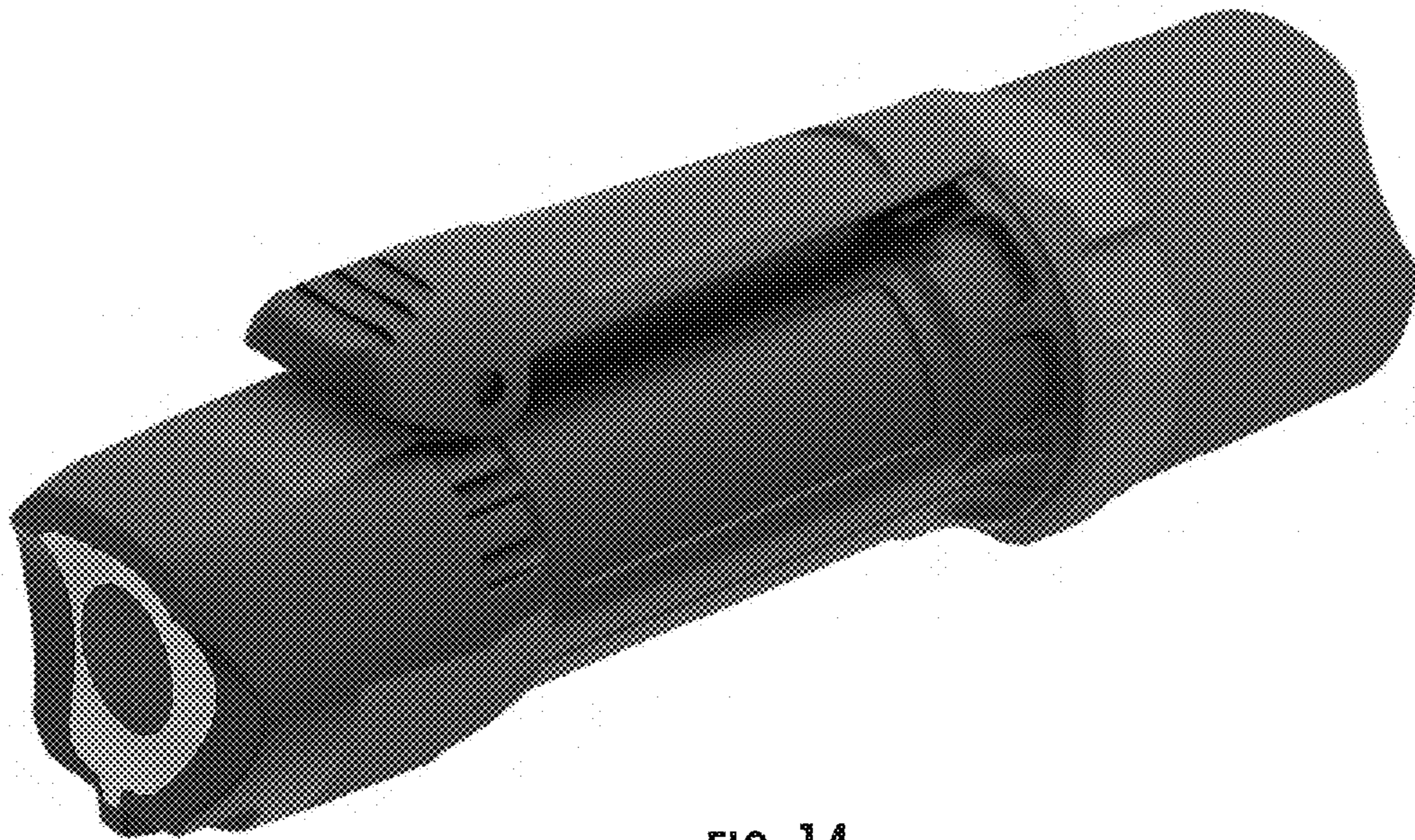


FIG. 14

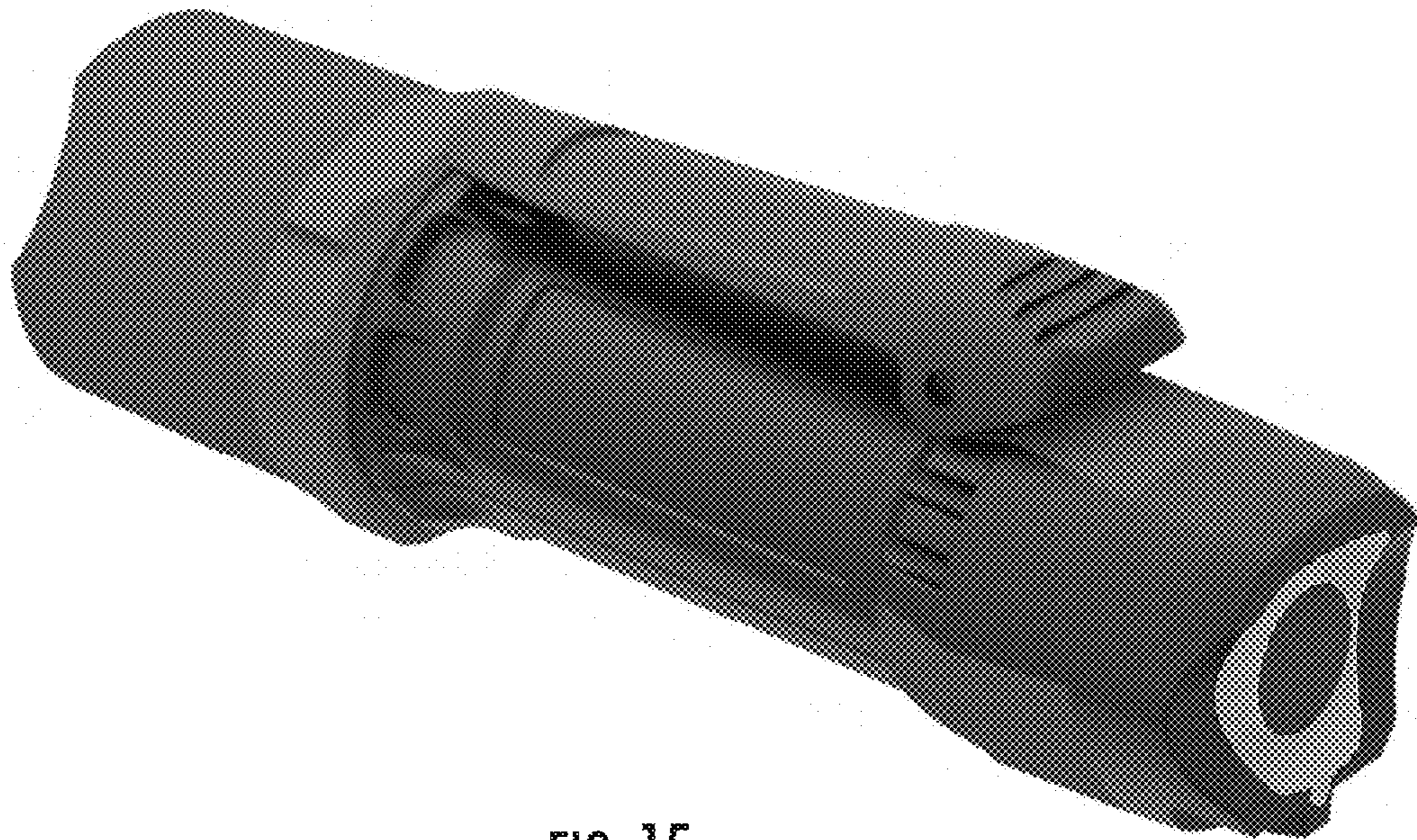


FIG. 15