



US00D979820S

(12) **United States Design Patent** (10) **Patent No.:** **US D979,820 S**  
**Kunzendorf et al.** (45) **Date of Patent:** **\*\* Feb. 28, 2023**

(54) **HEADLAMP**

F21V 5/006; F21V 5/008; F21V 5/08;  
F21V 7/00; F21V 7/09; F21V 9/30

(71) Applicant: **Ledlenser GmbH & Co. KG**, Solingen (DE)

See application file for complete search history.

(72) Inventors: **André Kunzendorf**, Wuppertal (DE);  
**Bin Xiao**, Düsseldorf (DE); **Tobias Schleder**, Cologne (DE)

(56) **References Cited**

U.S. PATENT DOCUMENTS

(73) Assignee: **LEDLENSER GMBH & CO. KG**, Solingen (DE)

D503,817 S *	4/2005	Shiu	.....	D26/39
D707,868 S *	6/2014	Lee	.....	D26/39
D813,432 S *	3/2018	Koshiba	.....	D26/39
D814,083 S *	3/2018	Green	.....	D26/39
D861,211 S *	9/2019	Windom	.....	D26/39
D889,009 S *	6/2020	Kunzendorf	.....	D26/36

(\*\*) Term: **15 Years**

(Continued)

(21) Appl. No.: **29/739,404**

(22) Filed: **Jun. 25, 2020**

OTHER PUBLICATIONS

(30) **Foreign Application Priority Data**

Jan. 7, 2020 (EM) ..... 007483359-0001  
Jan. 7, 2020 (EM) ..... 007483359-0002

Nitecore NU32 550 Lumen LED Rechargeable Headlamp. By Nitecore. Dated May 3, 2018. Found online [Mar. 25, 2022]. <https://www.amazon.com/NITECORE-NU32-Rechargeable-Headlamp-LumenTac/dp/B07CV3VTYB> (Year: 2018).\*

(51) **LOC (14) Cl.** ..... **26-02**

*Primary Examiner* — Marissa J Cash

(52) **U.S. Cl.**  
USPC ..... **D26/39**

*Assistant Examiner* — William B Melliar

(58) **Field of Classification Search**

USPC ..... D26/24, 37–52, 113, 118–119, 138  
CPC ..... F21Y 2115/10; F21Y 2113/13; F21Y 2115/30; F21Y 2113/10; F21Y 2105/12; F21Y 2107/00; F21Y 2113/00; F21Y 2113/17; F21Y 2113/20; F21Y 2115/00; F21V 21/084; F21V 23/0414; F21V 23/0492; F21V 23/002; F21V 21/0816; F21V 21/30; F21V 23/003; F21V 23/0471; F21V 14/06; F21V 15/01; F21V 17/02; F21V 21/096; F21V 21/0965; F21V 21/145; F21V 23/023; F21V 23/0442; F21V 14/02; F21V 14/025; F21V 14/04; F21V 17/007; F21V 17/06; F21V 17/12; F21V 21/002; F21V 21/0885; F21V 21/10; F21V 23/007; F21V 23/02; F21V 23/0464; F21V 23/0478; F21V 23/0485; F21V 29/15; F21V 29/70; F21V 33/0008; F21V 5/004;

(74) *Attorney, Agent, or Firm* — Alston & Bird LLP

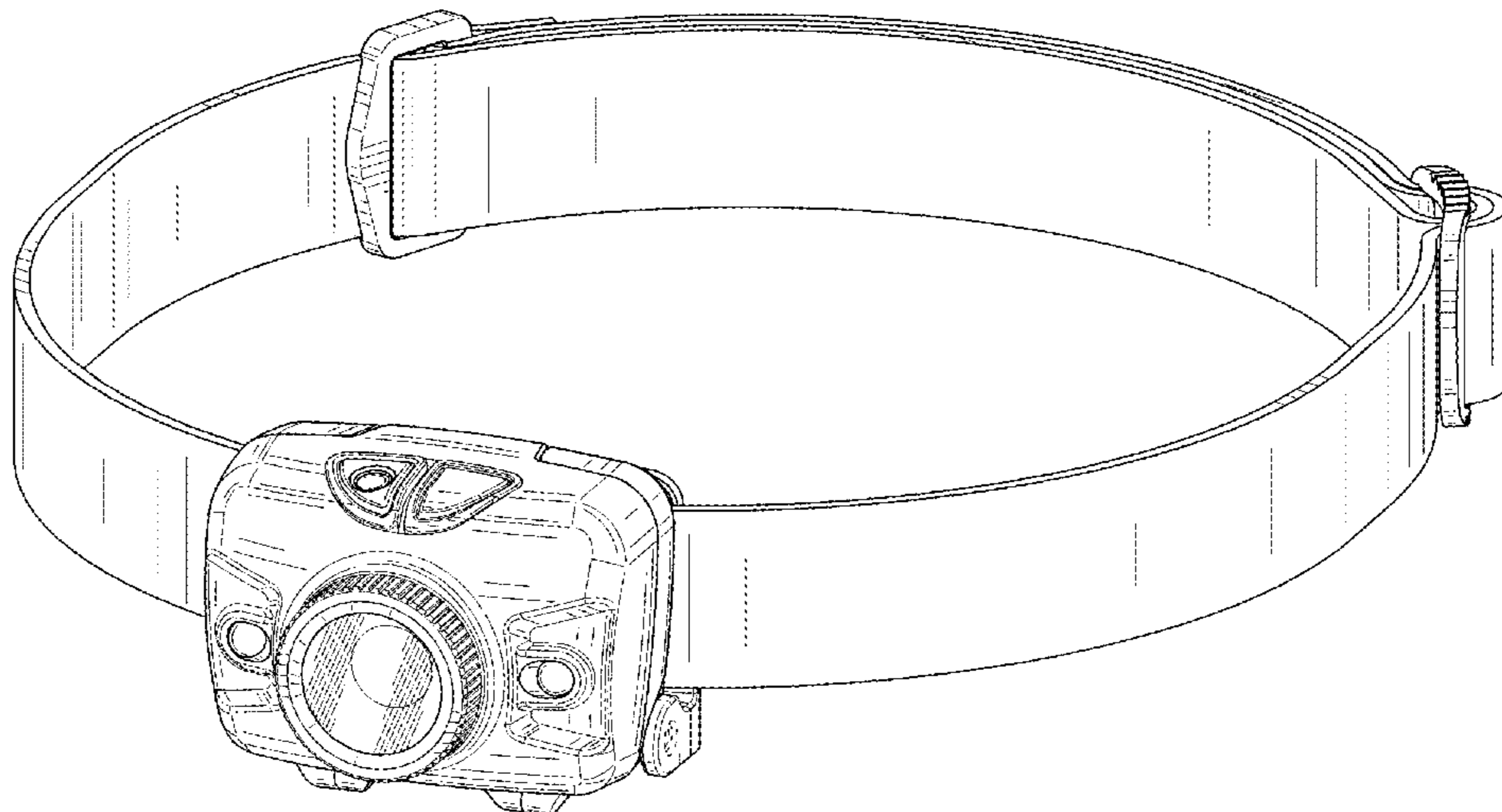
(57) **CLAIM**

The ornamental design for a headlamp, as shown and described.

**DESCRIPTION**

FIG. 1 is a perspective view of a headlamp according to our new design;  
FIG. 2 is a front elevation view thereof;  
FIG. 3 is a rear elevation view thereof;  
FIG. 4 is a right side elevation view thereof;  
FIG. 5 is a left side elevation view thereof;  
FIG. 6 is a top elevation view thereof; and,  
FIG. 7 is a bottom plan view thereof.  
The broken lines in the drawings depict portions of the headlamp that form no part of the claimed design.

**1 Claim, 7 Drawing Sheets**



(56)

**References Cited**

U.S. PATENT DOCUMENTS

D919,144 S \* 5/2021 Gao ..... D26/39  
D932,671 S \* 10/2021 Bertken ..... D26/39  
D935,073 S \* 11/2021 Qiu ..... D26/39  
2021/0348734 A1 \* 11/2021 Bertken ..... F21V 23/0414

\* cited by examiner

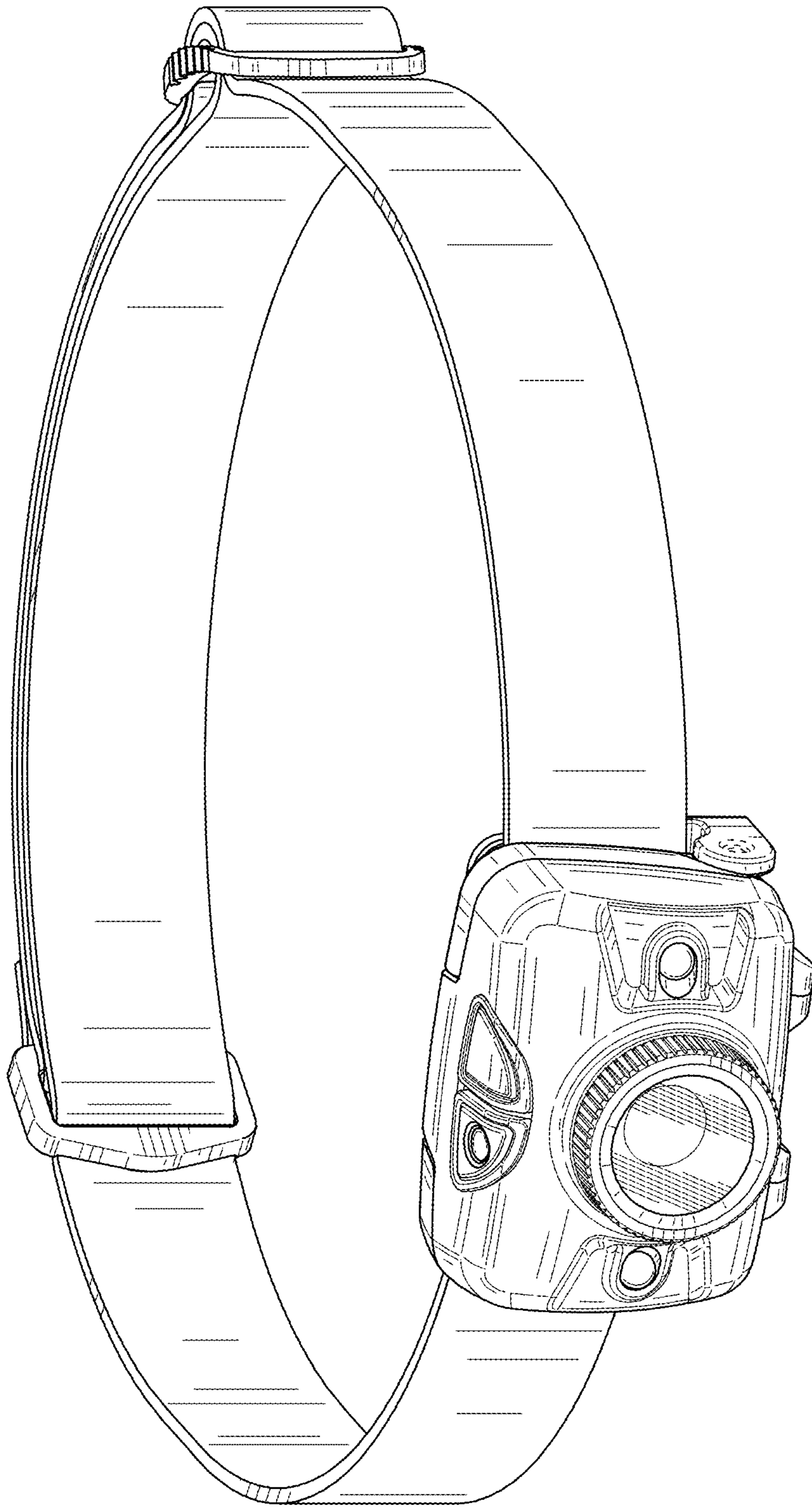


FIG. 1

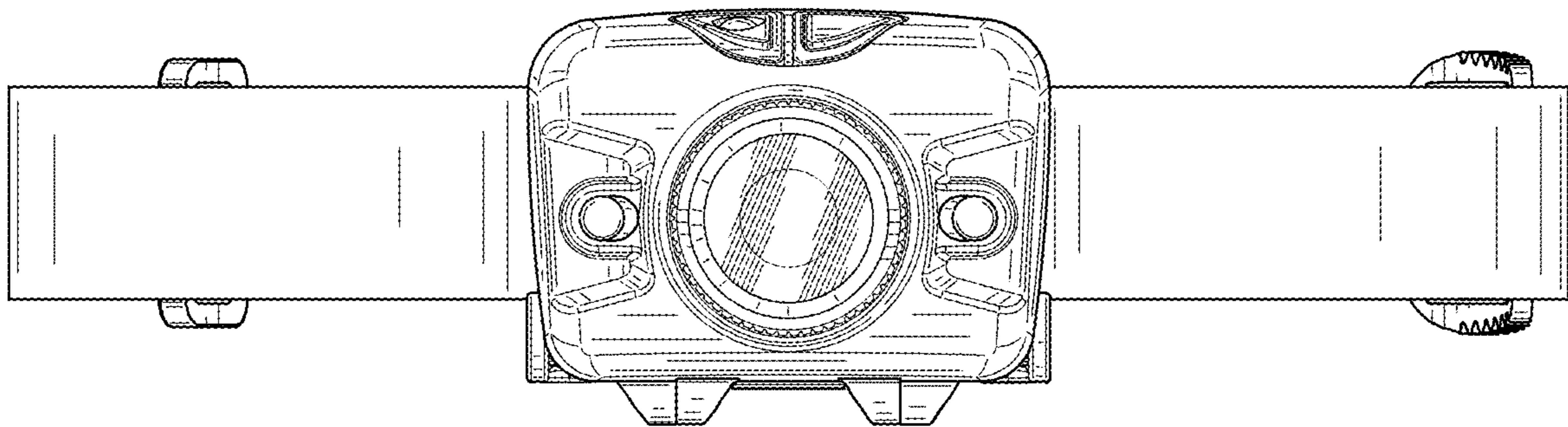


FIG. 2

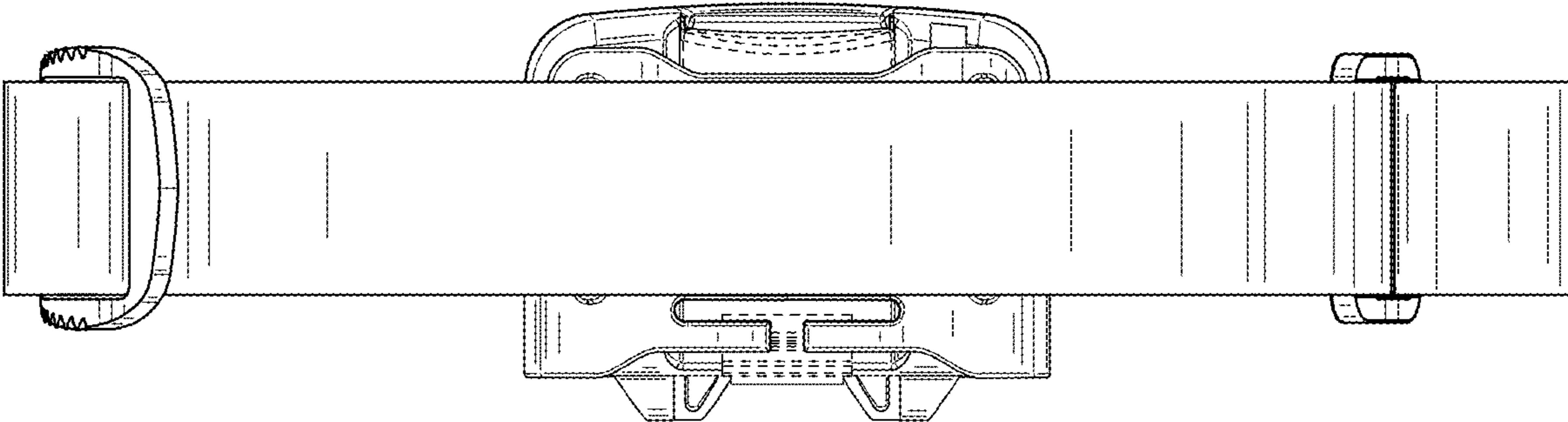


FIG. 3

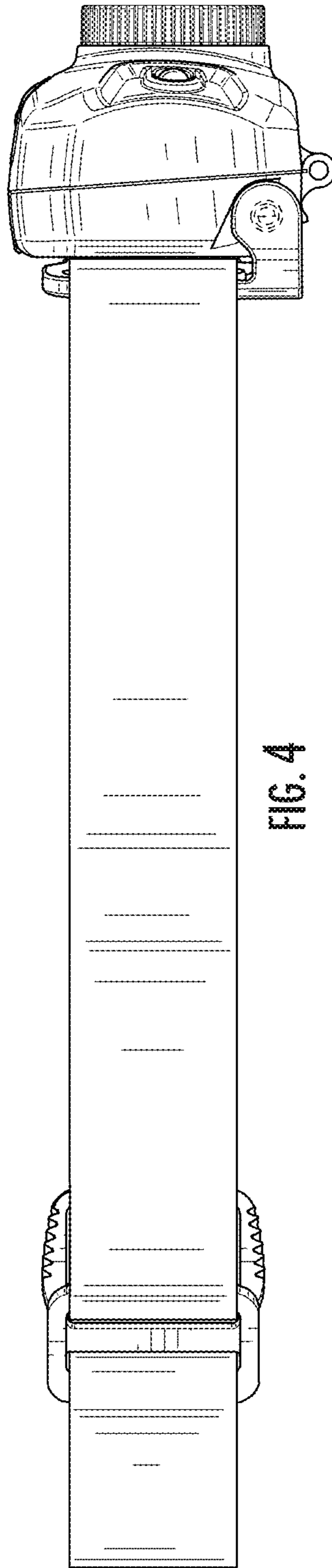
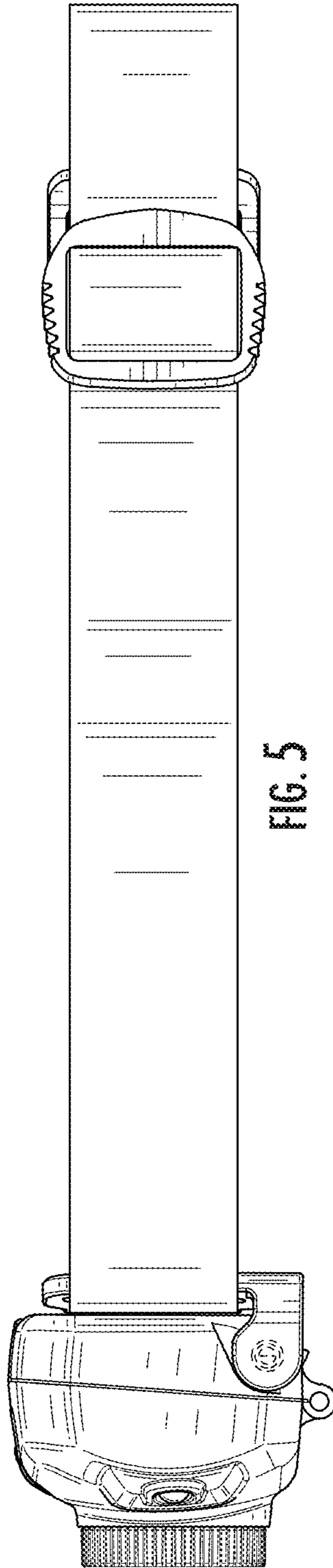


FIG. 4



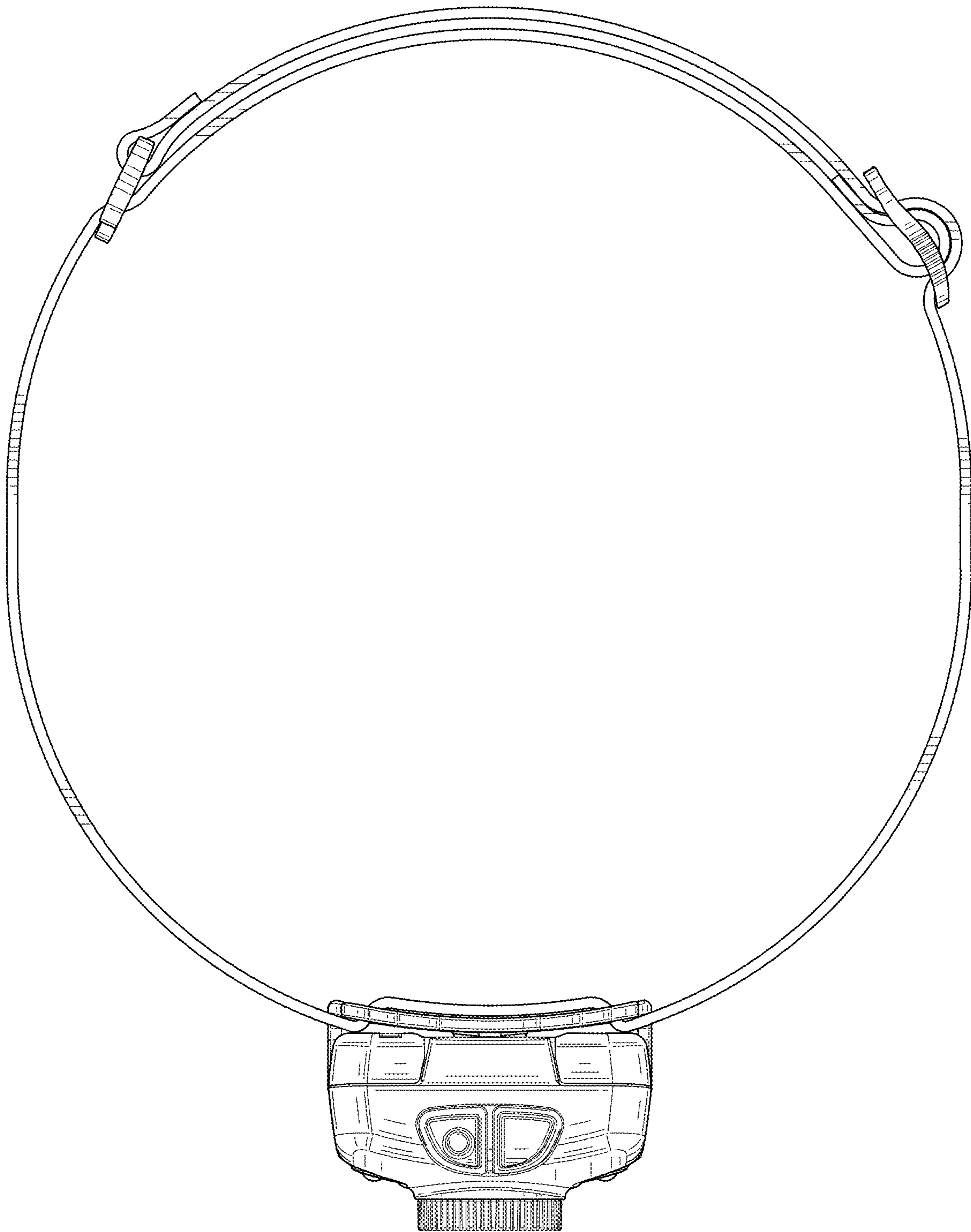


FIG. 6



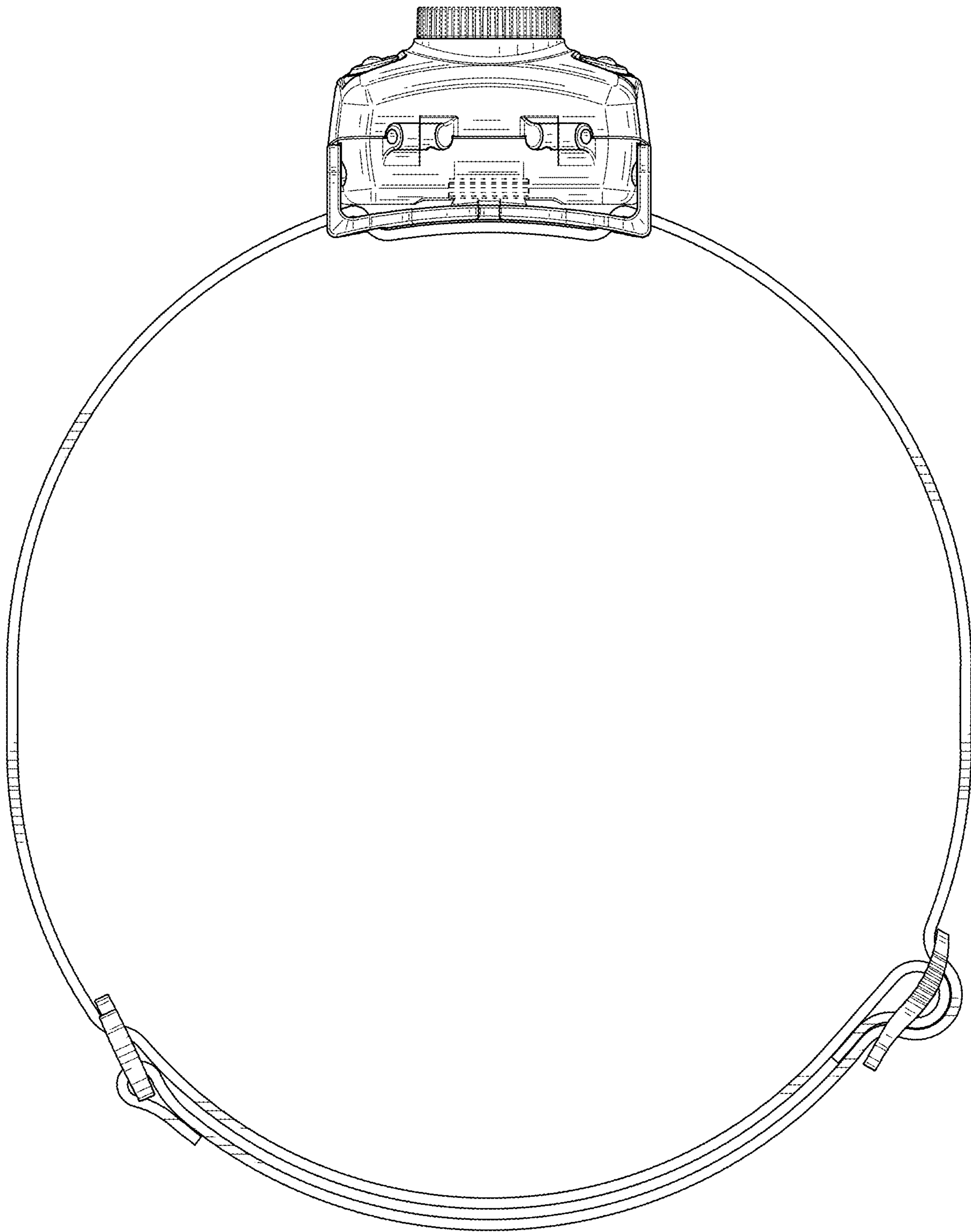


FIG. 7