



US00D979817S

(12) **United States Design Patent**
Groen

(10) **Patent No.:** **US D979,817 S**

(45) **Date of Patent:** **** Feb. 28, 2023**

(54) **INDICATOR LIGHT**

(71) Applicant: **BIZZY LLC**, Las Vegas, NV (US)

(72) Inventor: **Kurt Groen**, Corapolis, PA (US)

(73) Assignee: **BIZZY LLC**, Las Vegas, NV (US)

(**) Term: **15 Years**

(21) Appl. No.: **29/804,174**

(22) Filed: **Aug. 18, 2021**

(51) **LOC (14) Cl.** **26-05**

(52) **U.S. Cl.**
USPC **D26/29**; D26/63; D26/1; D10/111

(58) **Field of Classification Search**
USPC ... D26/1, 24, 28, 29, 36, 49, 61, 62, 65, 72,
D26/93; D11/109.1, 111, 114.1, 114.5,
D11/114.8, 114.9
CPC F21V 5/00; F21V 6/00; F21V 7/05; F21V
7/06; F21V 9/00; F21V 21/044; F21V
21/047; F21V 21/049; F21Y 2115/10;
F21S 8/02; F21S 8/026

See application file for complete search history.

(56) **References Cited**

U.S. PATENT DOCUMENTS

D48,964 S *	5/1916	Berg	D26/29
D242,945 S *	1/1977	Moore	D26/65
D296,477 S	6/1988	Powell		
D315,420 S *	3/1991	Layne	D26/63
D346,234 S *	4/1994	Sammis	D26/29
D349,970 S	8/1994	Chien et al.		
D413,690 S *	9/1999	Hussaini	D26/29
D442,304 S	5/2001	Huang		
D464,759 S	10/2002	Thompson		
D498,549 S	11/2004	Campagna		
D527,837 S	9/2006	Sassoon		
D535,044 S	1/2007	Branstetter et al.		
D541,451 S	4/2007	Leung		

D597,237 S *	7/2009	Kumthampinij	D26/39
D602,093 S	10/2009	Butler		
D634,057 S	3/2011	Nguyen et al.		
D756,011 S	5/2016	Nojima et al.		
D767,192 S *	9/2016	Cai	D26/63
D788,335 S	5/2017	Tsai		
D900,373 S *	10/2020	Richardson	D26/63
D936,886 S *	11/2021	Chen	F21V 31/005 D26/65
2015/0285475 A1 *	10/2015	Perkins	F21V 31/005 362/101

FOREIGN PATENT DOCUMENTS

GB 6149530 * 7/2021

* cited by examiner

Primary Examiner — Keli L Hill

(74) *Attorney, Agent, or Firm* — Clement Cheng

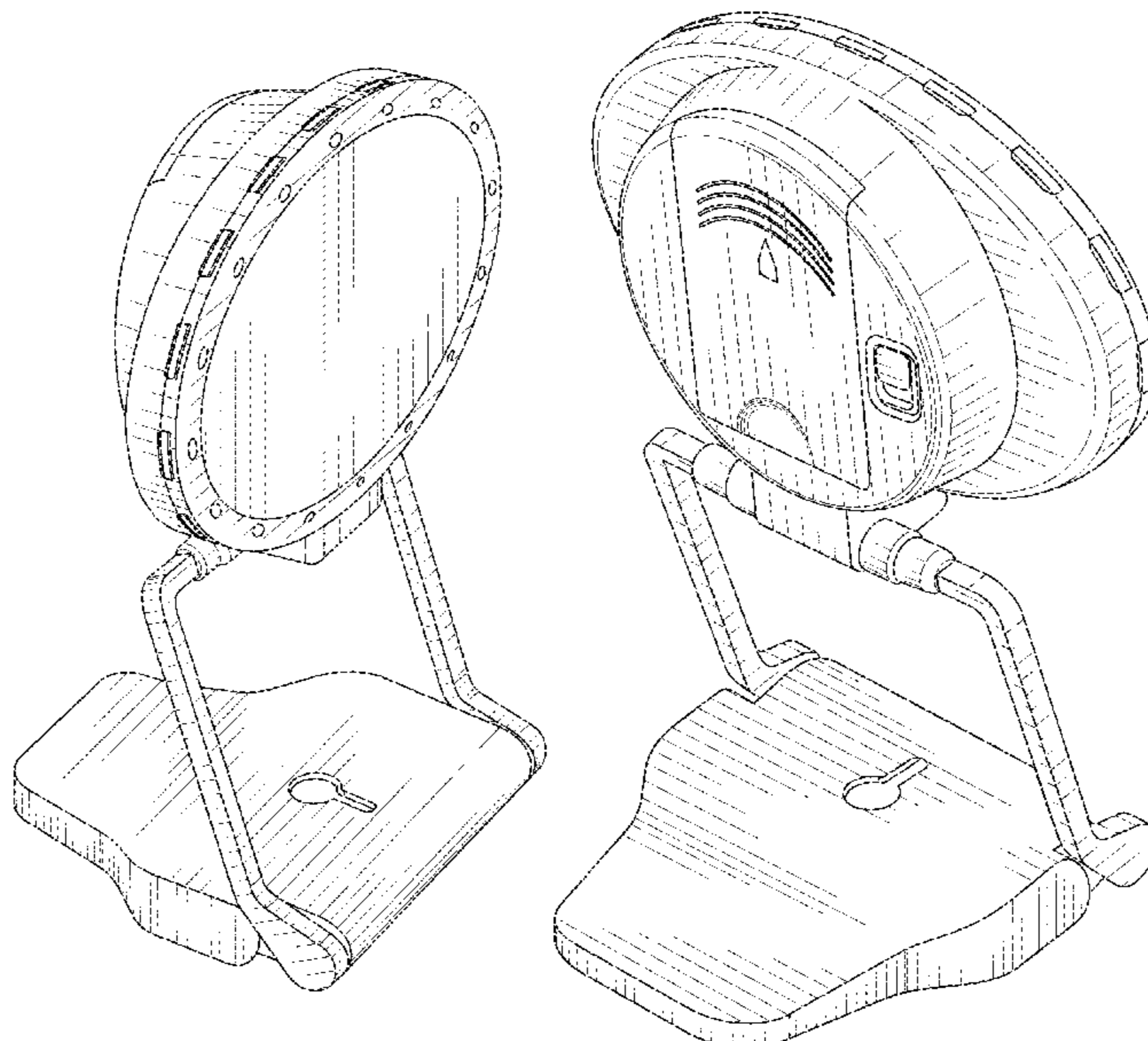
(57) **CLAIM**

The ornamental design for an indicator light, as shown and described.

DESCRIPTION

FIG. 1 is a front perspective view of an indicator light.
 FIG. 2 is a back perspective view of the indicator light shown in FIG. 1.
 FIG. 3 is a front view of the indicator light shown in FIG. 1.
 FIG. 4 is a rear view of the indicator light shown in FIG. 1.
 FIG. 5 is a right side view of the indicator light shown in FIG. 1.
 FIG. 6 is a left side view of the indicator light shown in FIG. 1.
 FIG. 7 is a top view of the bottle indicator light in FIG. 1; and,
 FIG. 8 is a bottom view of the indicator light shown in FIG. 1.

1 Claim, 8 Drawing Sheets



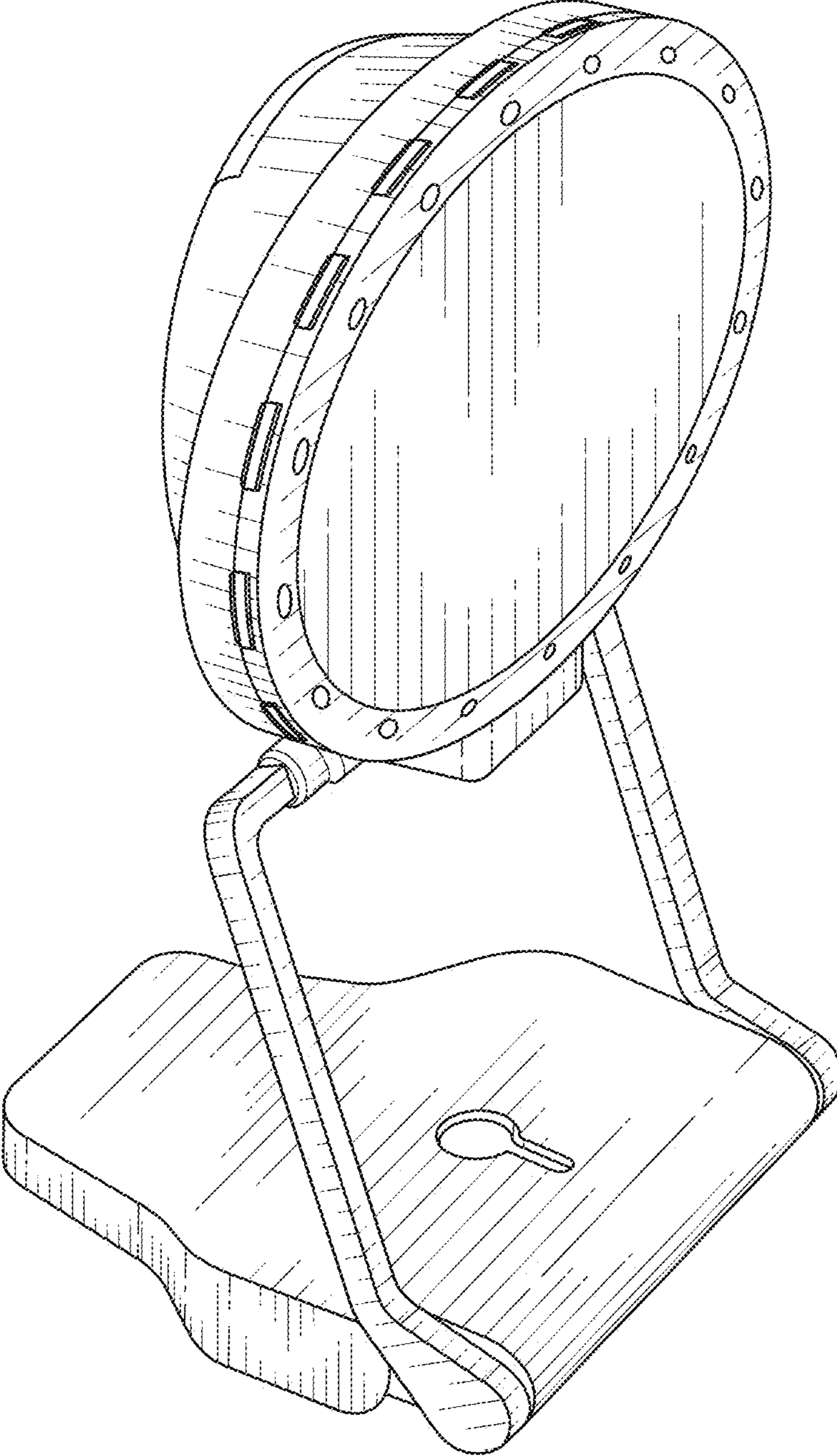


FIG. 1

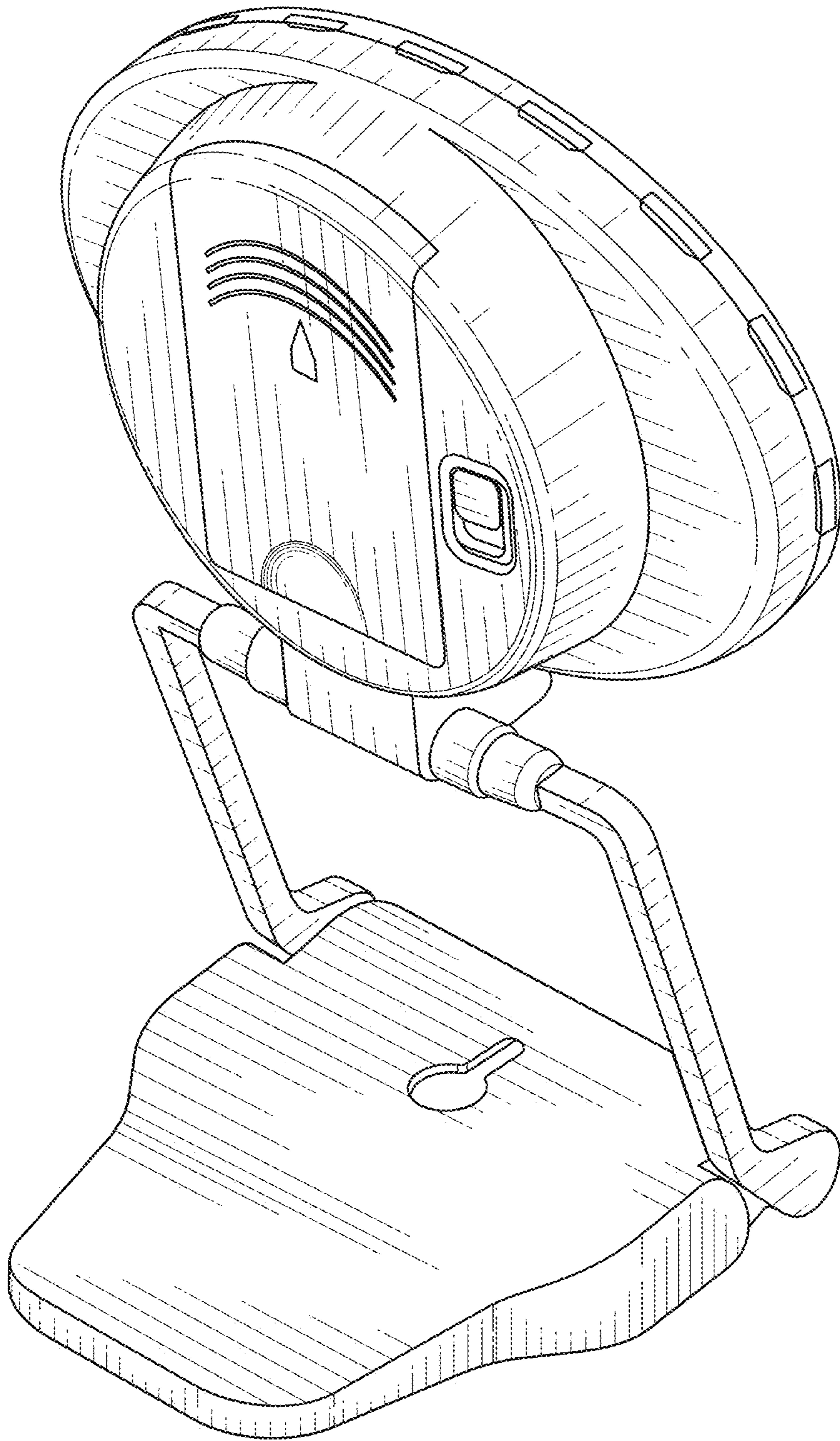


FIG. 2

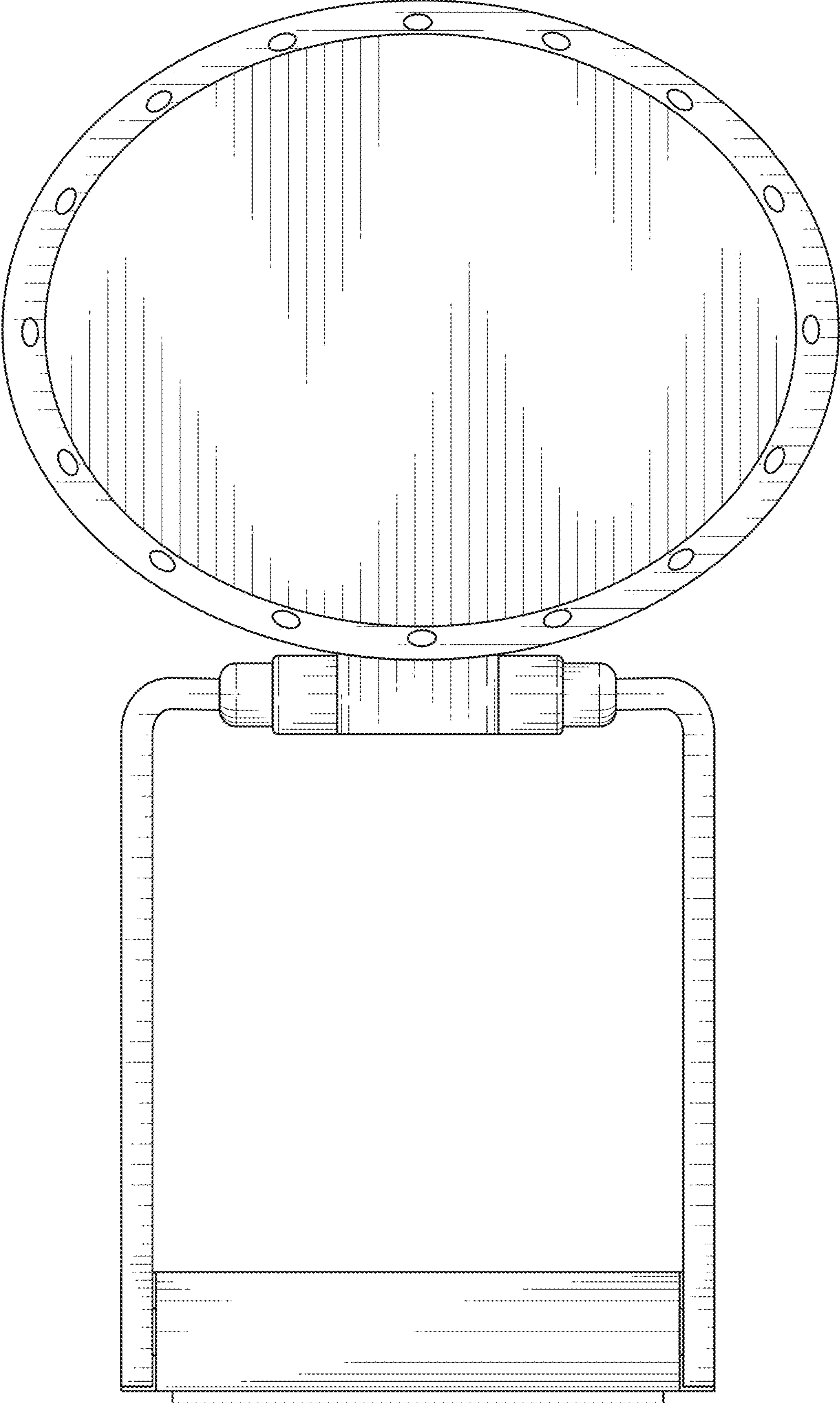


FIG. 3

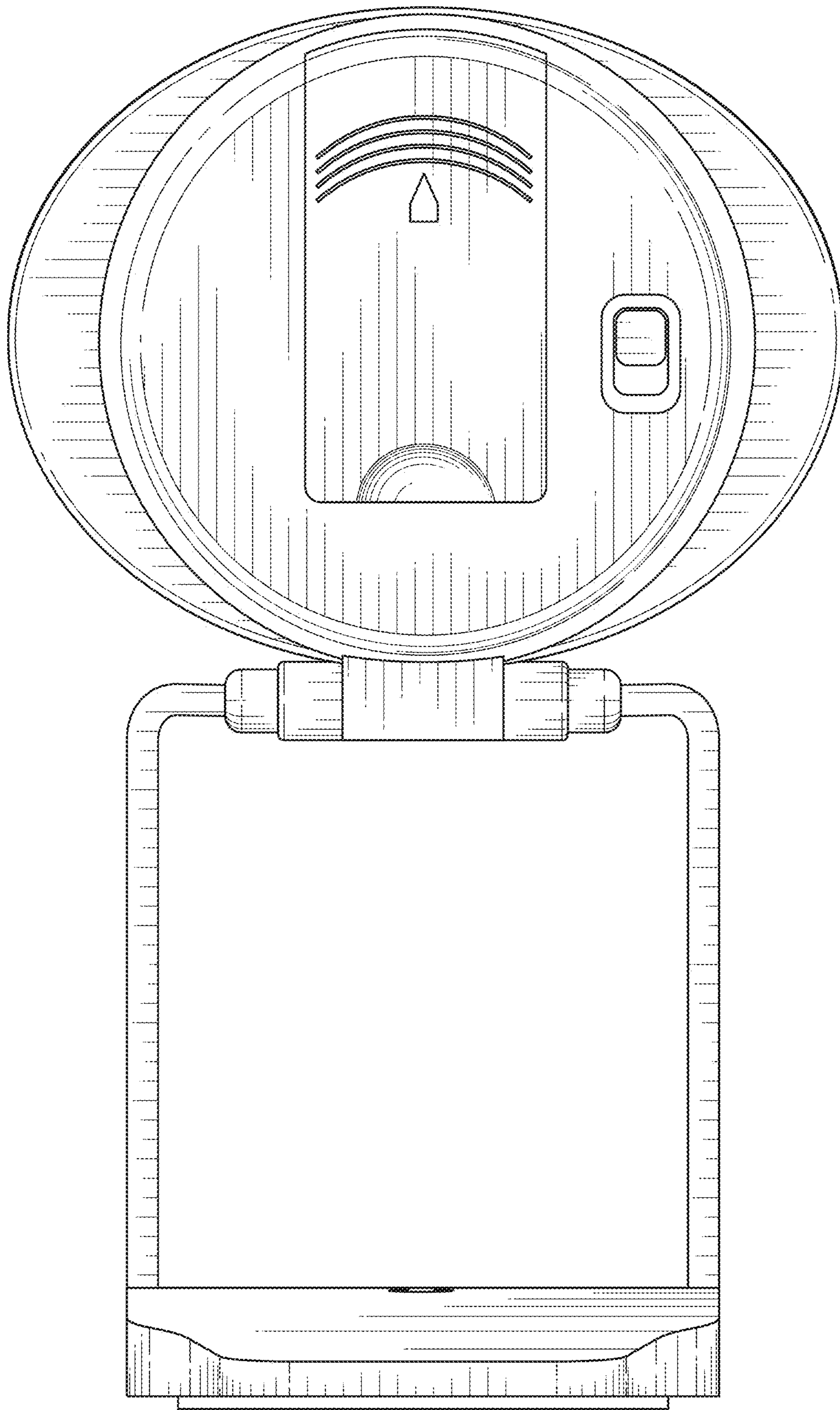


FIG. 4

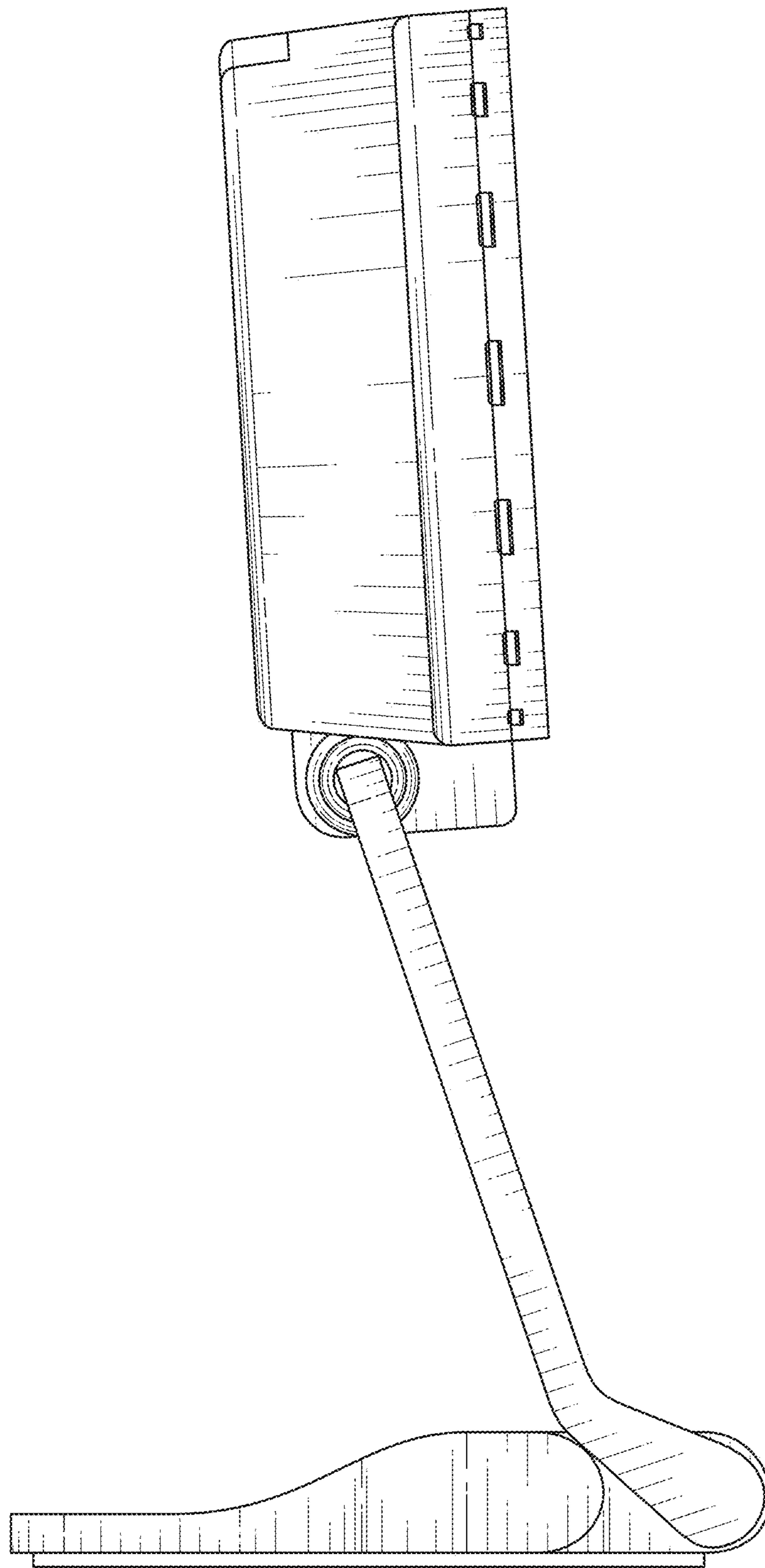


FIG. 5

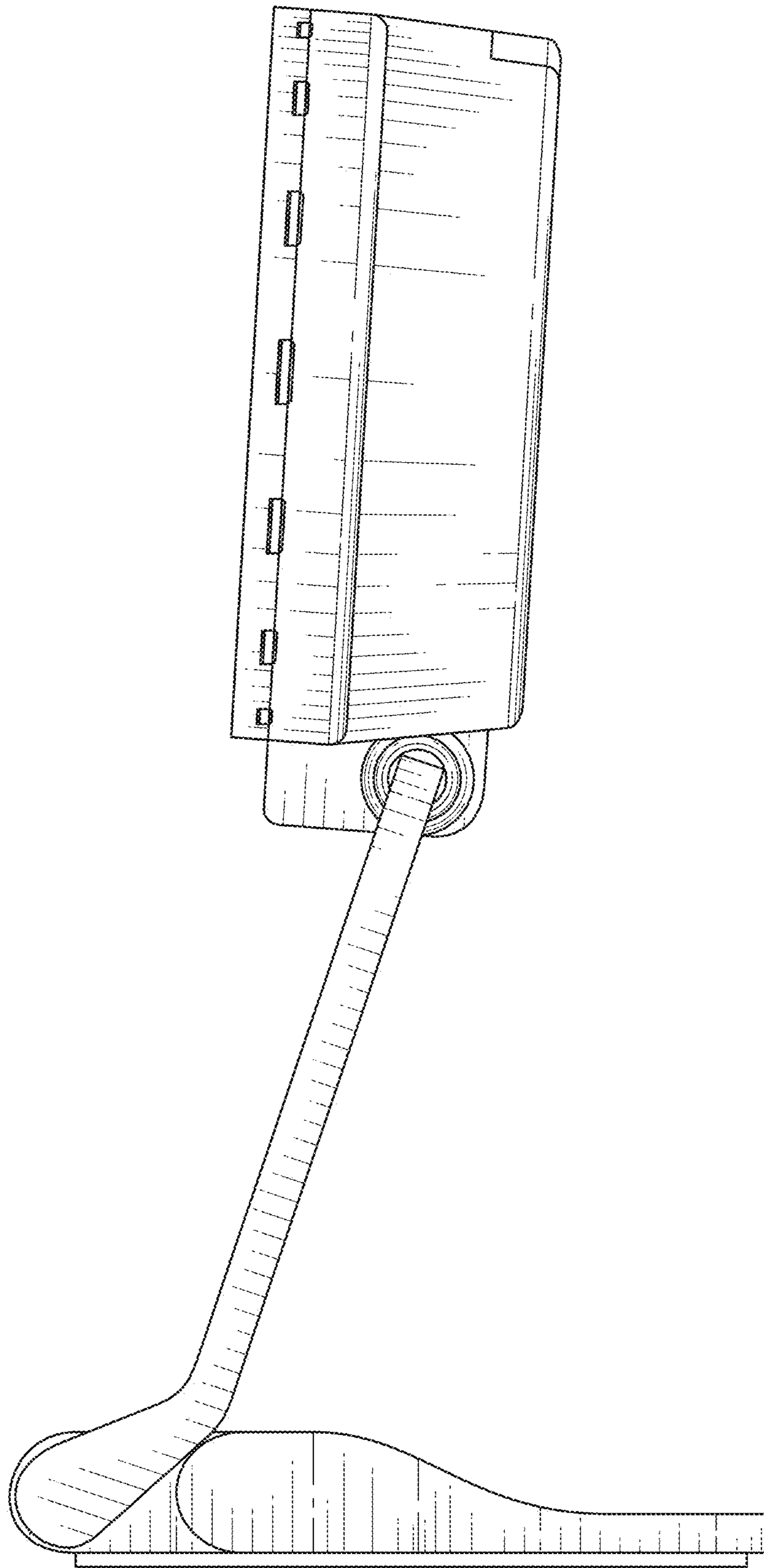


FIG. 6

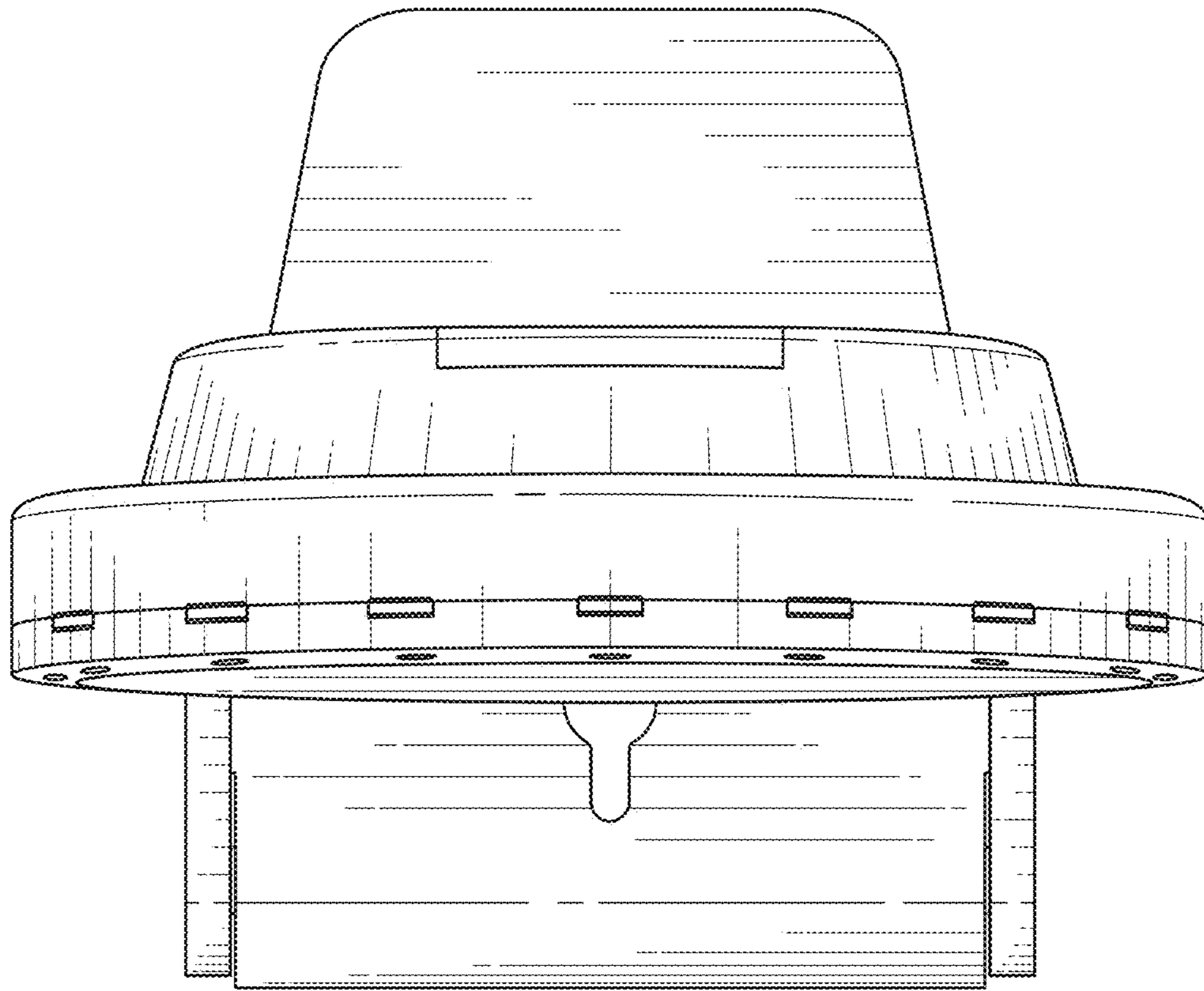


FIG. 7

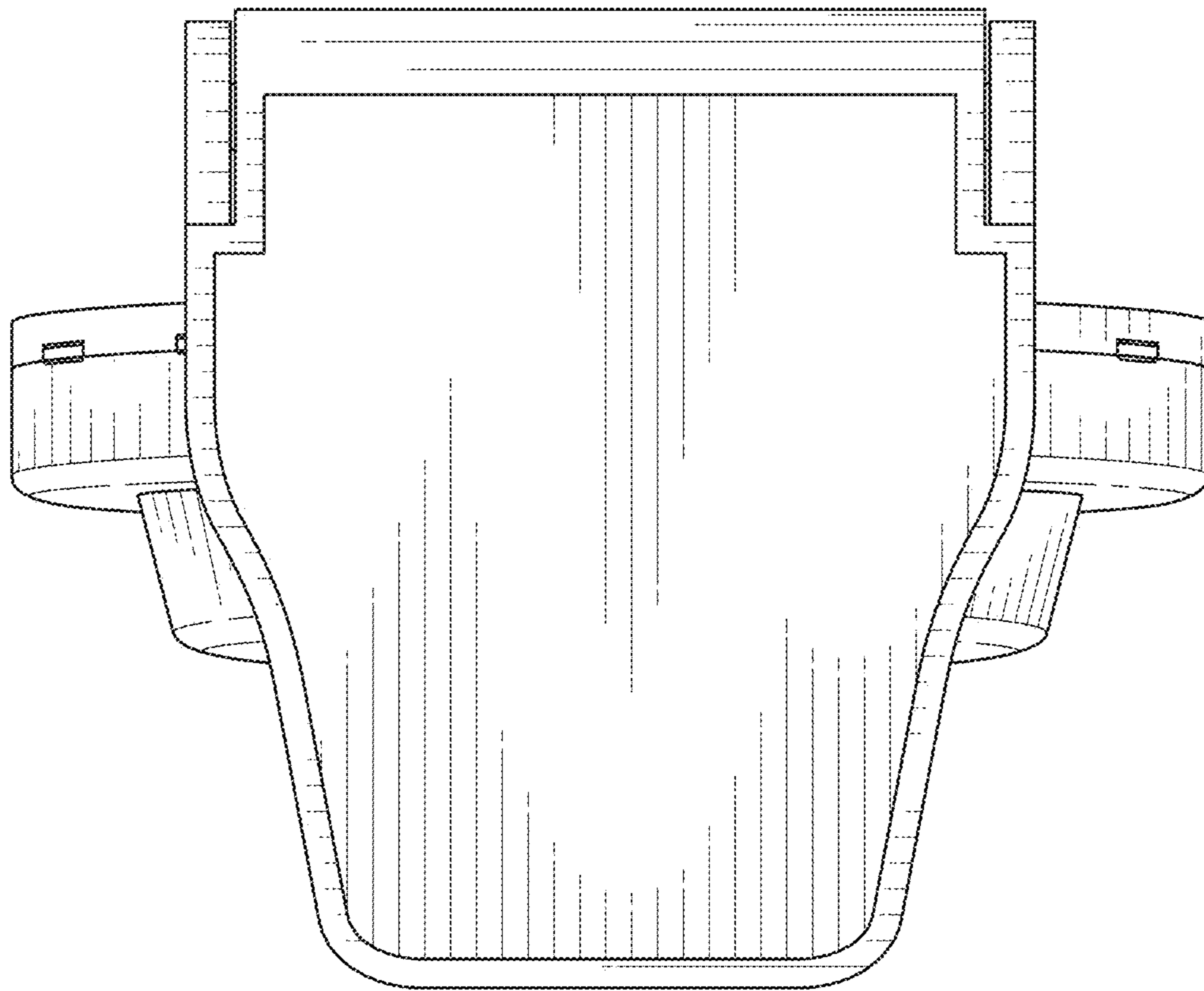


FIG. 8