



US00D979816S

(12) **United States Design Patent** (10) **Patent No.:** **US D979,816 S**
Hong et al. (45) **Date of Patent:** **** Feb. 28, 2023**

(54) **REAR COMBINATION LAMP FOR AUTOMOBILE**

(71) Applicants: **HYUNDAI MOTOR COMPANY**,
Seoul (KR); **Kia Corporation**, Seoul
(KR)

(72) Inventors: **Seung Pyo Hong**, Incheon (KR); **Hwan Wook Baek**, Chungcheongbuk-do (KR);
Jung Bin Kim, Bucheon-si (KR)

(**) Term: **15 Years**

(21) Appl. No.: **35/513,969**

(22) Filed: **Jan. 3, 2022**

(80) **Hague Agreement Data**

Int. Filing Date: **Jan. 3, 2022**

Int. Reg. No.: **DM/219847**

Int. Reg. Date: **Jan. 3, 2022**

Int. Reg. Pub. Date: **Apr. 8, 2022**

(30) **Foreign Application Priority Data**

Nov. 1, 2021 (KR) 30-2021-0051813

(51) **LOC (14) Cl.** **26-06**

(52) **U.S. Cl.**
USPC **D26/28**

(58) **Field of Classification Search**
USPC D26/28, 29, 30, 31, 32, 33, 34, 35, 36,
D26/139
CPC F21S 41/00; F21S 41/141; F21S 41/162;
F21S 41/18; F21S 41/20; F21S 41/33;
F21S 41/36; F21S 41/60; F21S 43/00;
F21W 2103/35; F21W 2103/40; F21W
2102/17; F21W 2102/30; F21W 2103/00;
F21W 2103/55; F21W 2104/00; F21W
2107/17; F21W 2107/13

See application file for complete search history.

(56) **References Cited**

U.S. PATENT DOCUMENTS

D700,380 S *	2/2014	Kong	D26/28
D700,982 S *	3/2014	Kim	D26/28
D772,449 S *	11/2016	Choi	D26/28
D776,313 S *	1/2017	Han	D26/28
D798,474 S *	9/2017	Wheel	D26/28
D834,227 S *	11/2018	Lee	D26/28
D844,190 S *	3/2019	Nordmann	D26/28
D844,192 S *	3/2019	Nordmann	D26/28
D864,435 S *	10/2019	Binder	D26/28

(Continued)

OTHER PUBLICATIONS

Kia Niro Full-Change SG2 Realistic Prediction also Appeared, Stylish and Styling, blog.naver.com, <http://blog.naver.com/thiscargood/222552508434>, Oct. 29, 2021, 8 pages.

Primary Examiner — Angela J Lee

(57) **CLAIM**

The ornamental design for a rear combination lamp for automobile, as shown and described.

DESCRIPTION

1. Rear combination lamp for automobile

1.1 : Perspective

1.2 : Front

1.3 : Back

1.4 : Left

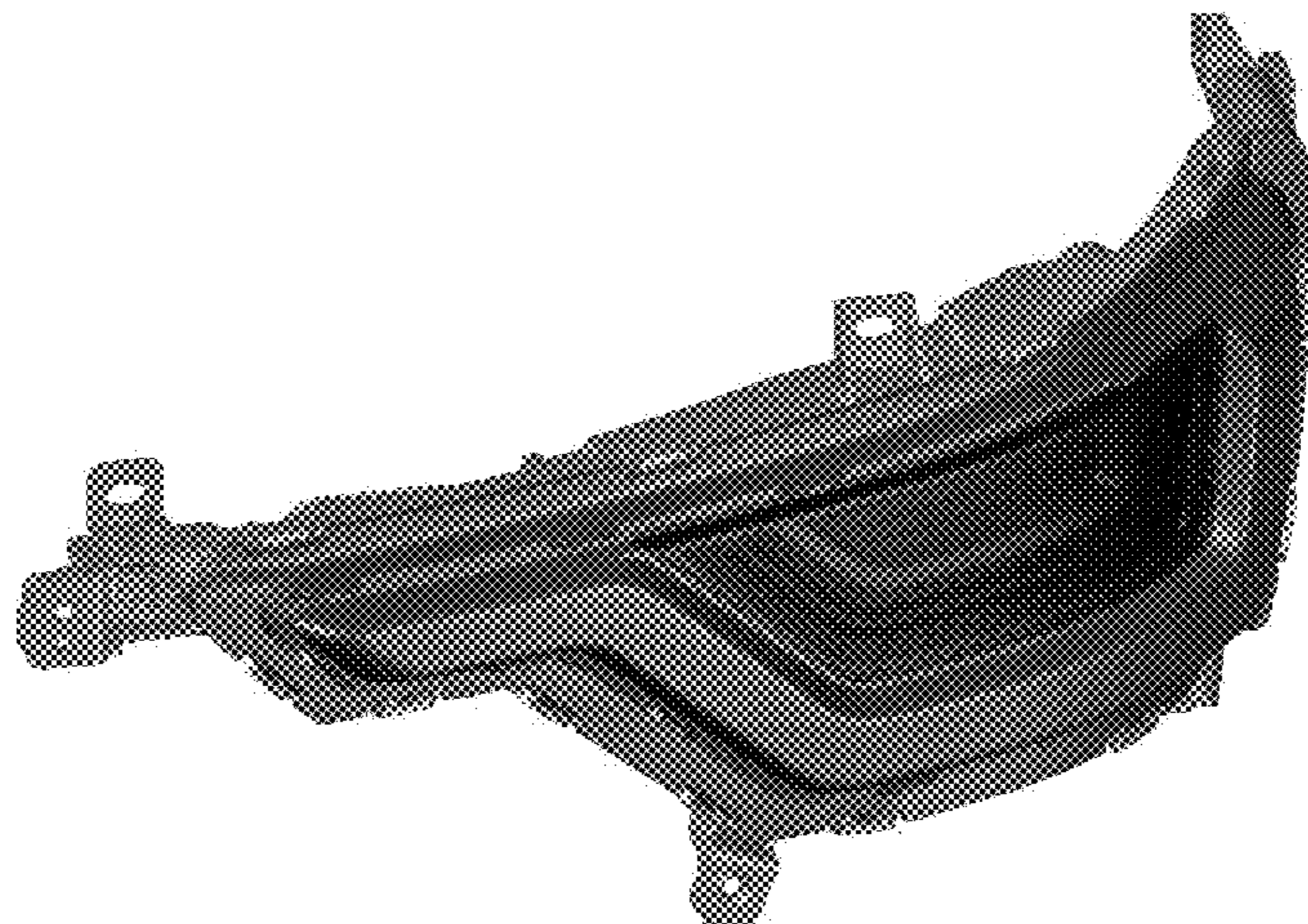
1.5 : Right

1.6 : Top

1.7 : Bottom

Reproduction 1.1 is a perspective view of a rear combination lamp for automobile showing our new design; reproduction 1.2 is a front elevation view thereof; reproduction 1.3 is a rear elevation view thereof; reproduction 1.4 is a left side elevation view thereof; reproduction 1.5 is a right side

(Continued)



elevation view thereof; reproduction 1.6 is a top plan view thereof; reproduction 1.7 is a bottom plan view thereof.

1 Claim, 7 Drawing Sheets

(56)

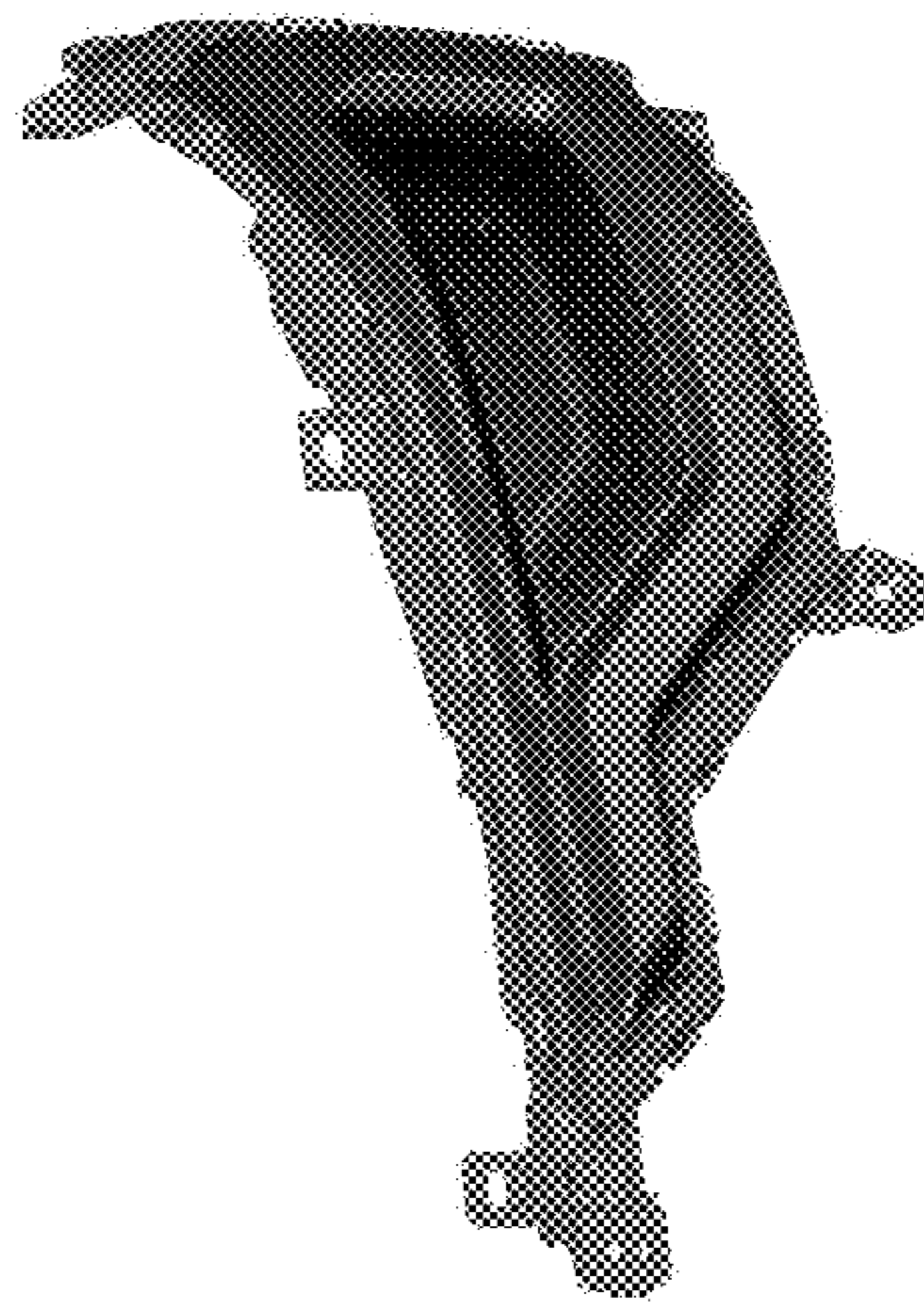
References Cited

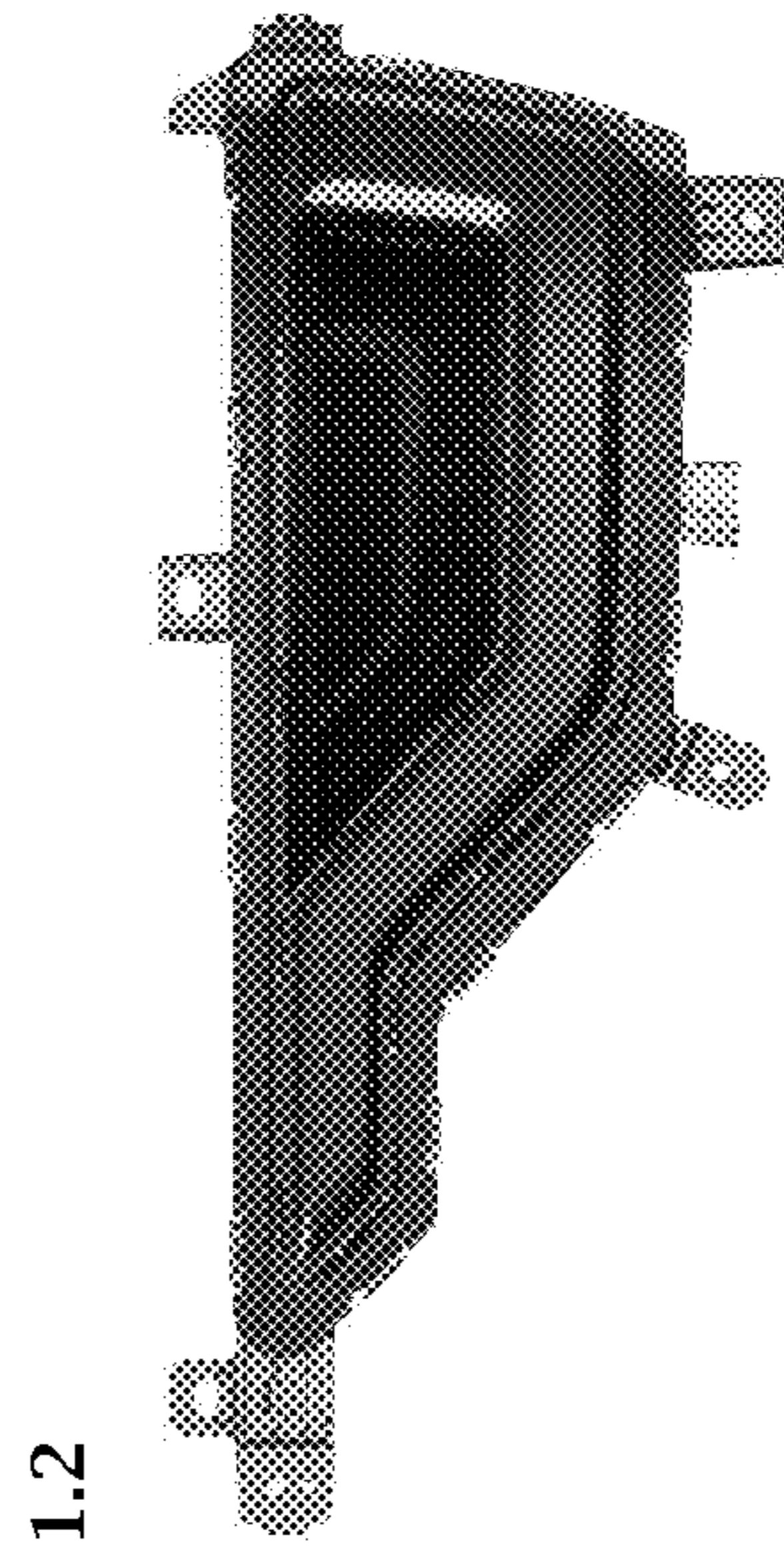
U.S. PATENT DOCUMENTS

D866,821 S	*	11/2019	Hannemann	D26/28
D894,445 S	*	8/2020	Allmendinger	D26/28
D919,137 S	*	5/2021	Loisch	D26/28
D934,465 S	*	10/2021	Allmendinger	D26/28

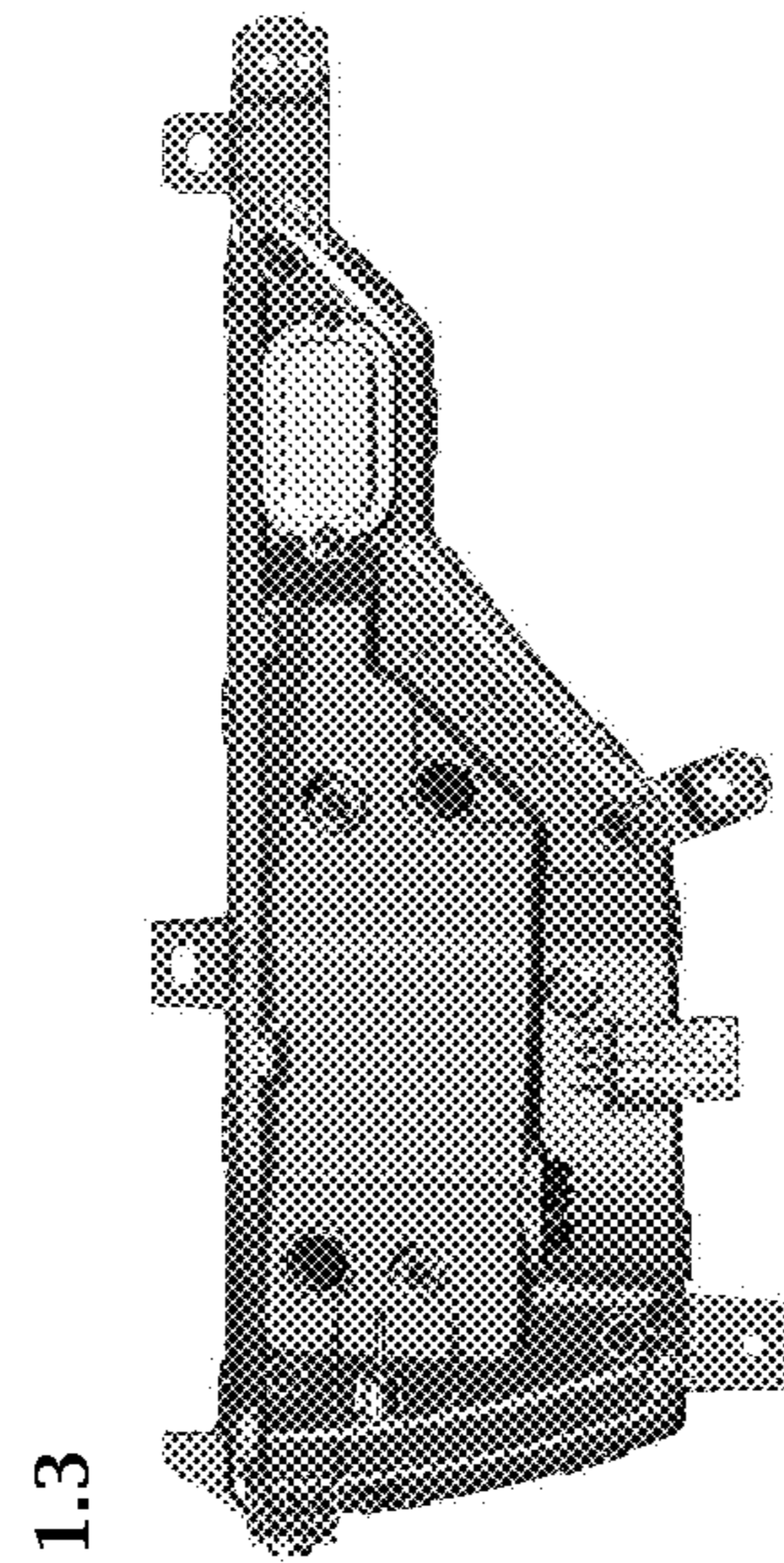
* cited by examiner

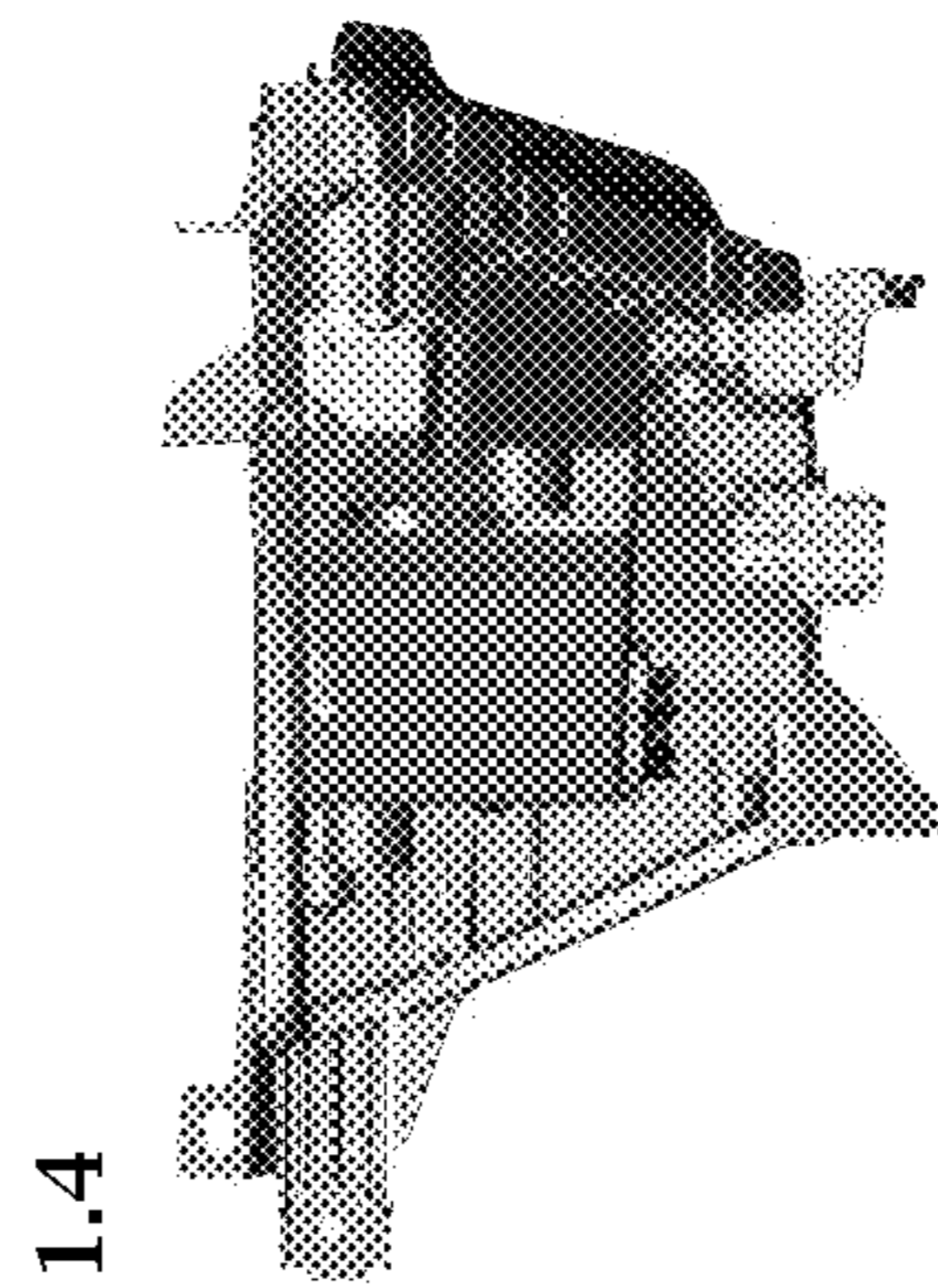
1.1

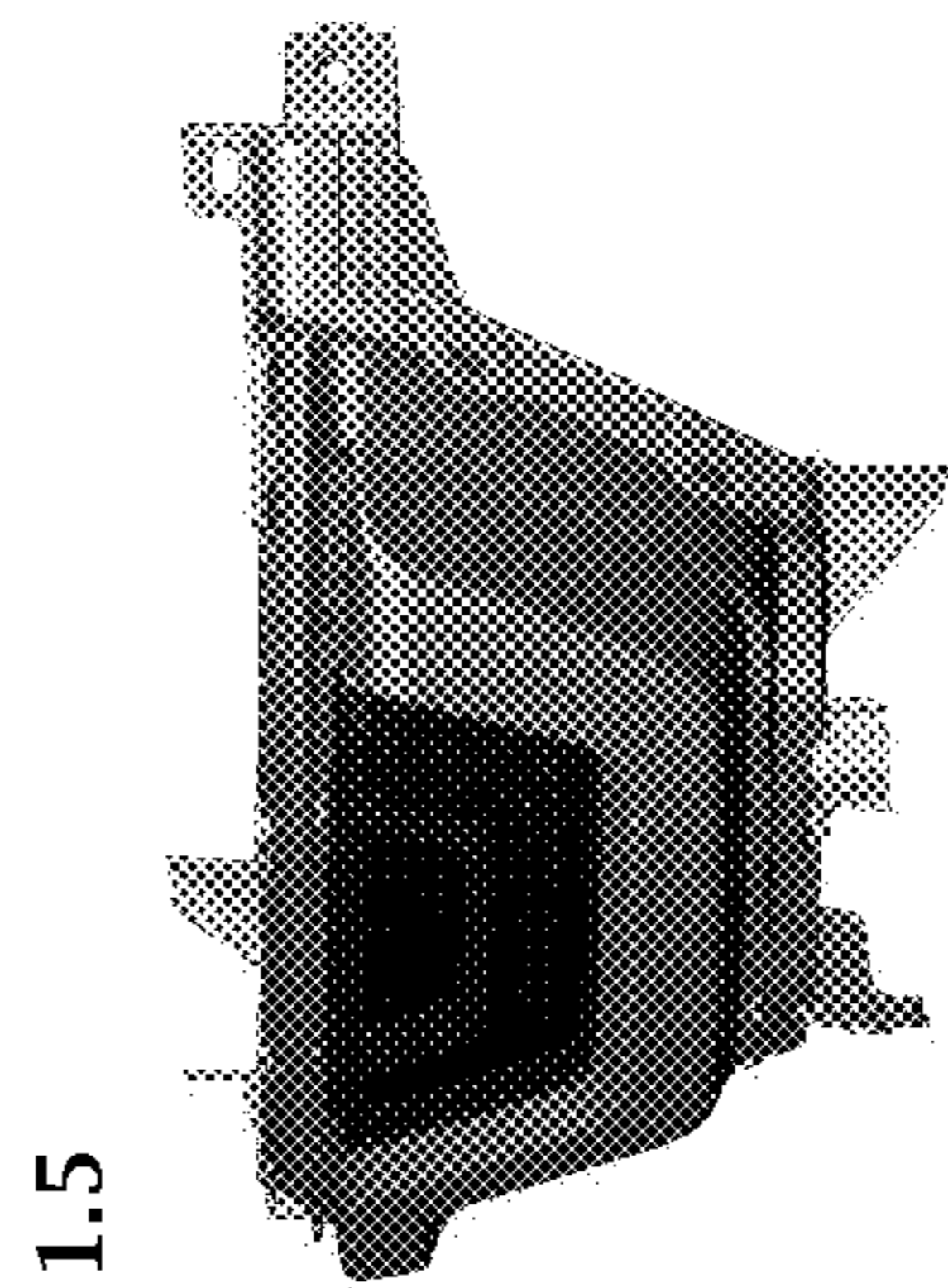




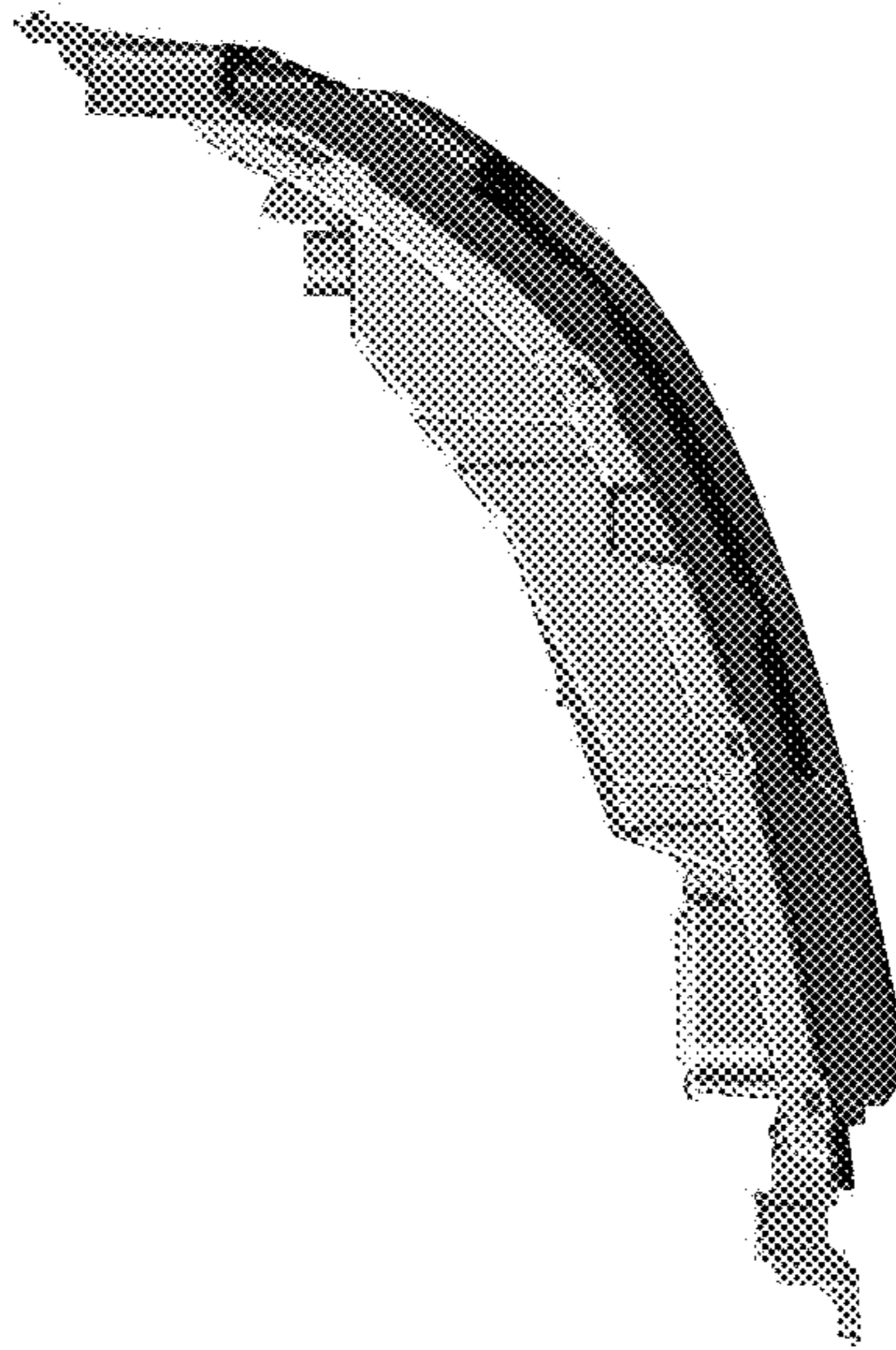
1.2

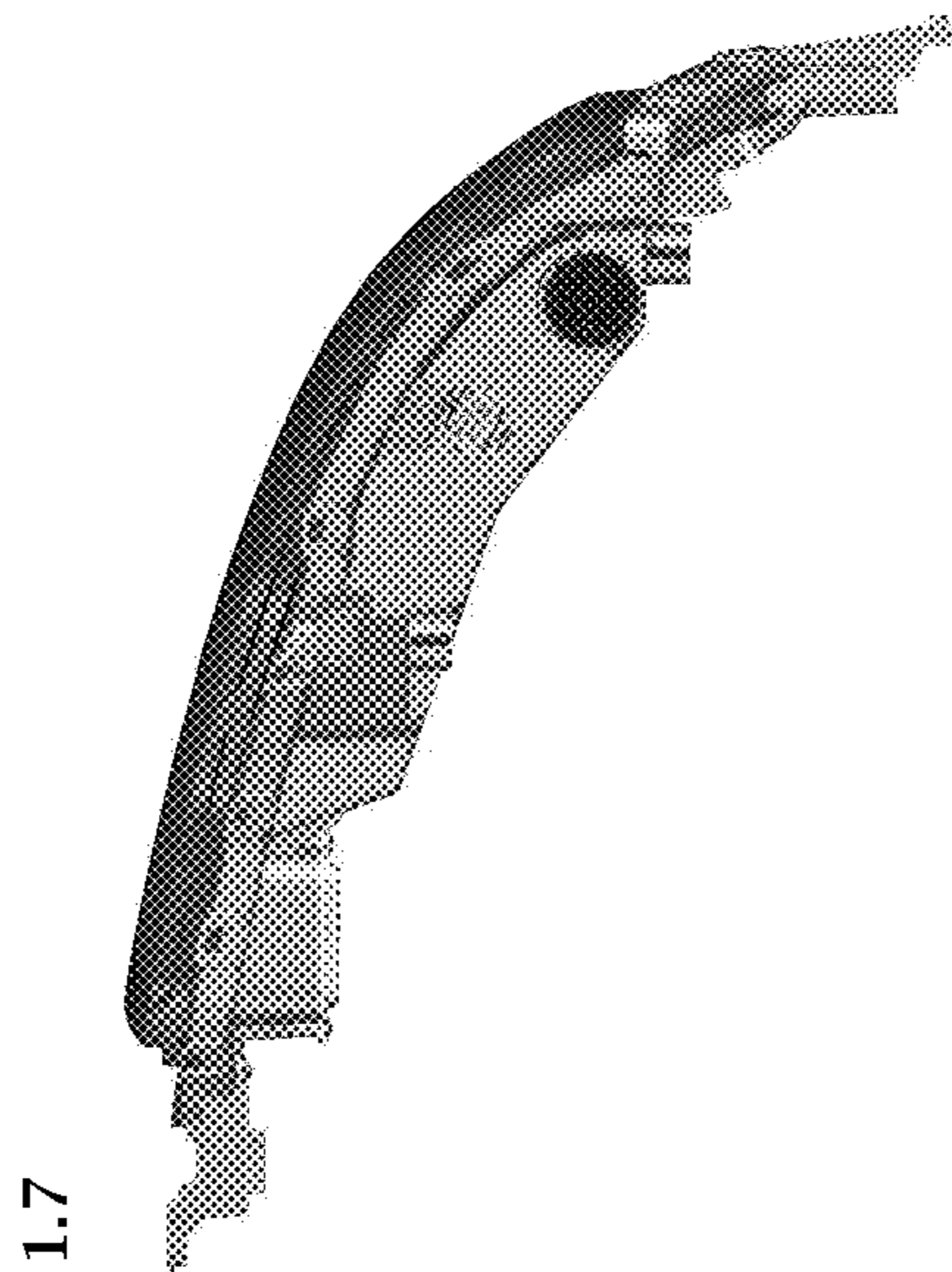






1.6





1.7