



US00D979815S

(12) **United States Design Patent** (10) **Patent No.:** **US D979,815 S**
Kim et al. (45) **Date of Patent:** **** Feb. 28, 2023**

(54) **VEHICLE HEADLAMP**
(71) Applicant: **Canoo Technologies Inc.**, Torrance, CA (US)
(72) Inventors: **Richard Kim**, Los Angeles, CA (US); **Jackson E. Luttig**, Rancho Palos Verdes, CA (US); **Brian E. Spencer**, Lakewood, CA (US); **Noah Hammersten**, Studio City, CA (US); **Brian Oh**, Rancho Palos Verdes, CA (US)
(73) Assignee: **Canoo Technologies Inc.**, Torrance, CA (US)
(**) Term: **15 Years**

D274,637 S 7/1984 Terui et al.
D457,467 S 5/2002 Shimizu
D800,017 S 10/2017 Sapet
D832,742 S 11/2018 Fisker
D839,784 S 2/2019 Sugawara et al.
D860,862 S 9/2019 Janin
(Continued)

OTHER PUBLICATIONS

Vehicle Headlights (Design—© Questel) orbit.com. [Online PDF compilation of references] 46 pgs. Print Dates Range Mar. 9, 2020-Aug. 21, 2019 [Retrieved Sep. 16, 2022].*
(Continued)

Primary Examiner — George D. Kirschbaum
Assistant Examiner — Suzanne E Tisdell

(21) Appl. No.: **29/832,276**
(22) Filed: **Mar. 25, 2022**

Related U.S. Application Data

(60) Continuation of application No. 29/801,415, filed on Jul. 28, 2021, now Pat. No. Des. 957,989, which is a division of application No. 29/742,026, filed on Sep. 24, 2019, now Pat. No. Des. 941,184.
(51) **LOC (14) Cl.** **26-06**
(52) **U.S. Cl.**
USPC **D26/28**
(58) **Field of Classification Search**
USPC D26/28–36, 139
CPC F21S 48/00; F21S 48/10; F21S 48/115; F21S 48/225; F21S 48/1233; F21S 48/1266; F21S 48/1388; F21S 48/2268; B60Q 9/13; B60Q 9/135; B60Q 9/1375
See application file for complete search history.

(57) **CLAIM**

The ornamental design for a vehicle headlamp, as shown and described.

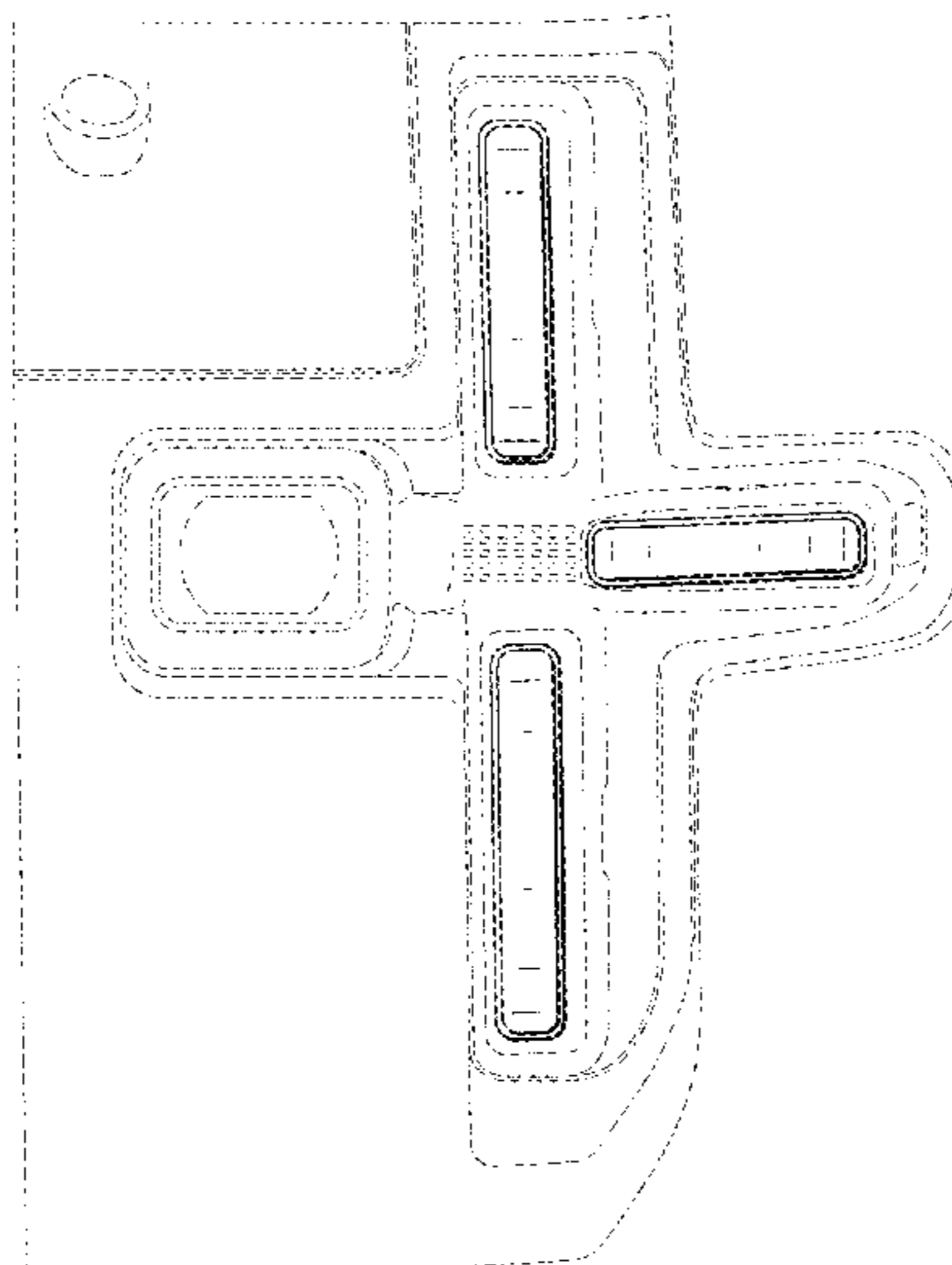
DESCRIPTION

FIG. 1 is a front view of a vehicle headlamp, according to a first embodiment of the invention.
FIG. 2 is a first perspective view thereof.
FIG. 3 is a second perspective view thereof.
FIG. 4 is a front view of a vehicle headlamp, according to a second embodiment of the invention.
FIG. 5 is a first perspective view thereof.
FIG. 6 is a second perspective view thereof.
FIG. 7 is a front view of a vehicle headlamp, according to a third embodiment of the invention.
FIG. 8 is a first perspective view thereof; and, FIG. 9 is a second perspective view thereof.
Mirror images of the views are within the scope of the claimed design even if not illustrated.
Features shown in broken lines do not form part of the claimed design.

(56) **References Cited**
U.S. PATENT DOCUMENTS

D238,799 S 2/1976 Goldfarb et al.
D262,391 S 12/1981 Kanaoki

1 Claim, 9 Drawing Sheets



(56)

References Cited

U.S. PATENT DOCUMENTS

D875,185 S 2/2020 Zeng
 D884,939 S * 5/2020 Kozub D26/28
 D894,438 S * 8/2020 Park Cheng D26/28
 10,769,940 B2 9/2020 Hur
 D903,160 S * 11/2020 Zipfel D26/28
 10,821,776 B1 11/2020 Labadie et al.
 10,829,145 B2 11/2020 Washnock et al.
 10,870,361 B2 12/2020 Hara et al.
 10,951,044 B2 3/2021 Choi et al.
 10,959,892 B2 3/2021 Yamada et al.
 10,974,582 B2 4/2021 Hara
 10,983,199 B2 4/2021 Adams et al.
 D920,544 S * 5/2021 Kim D26/28
 D920,545 S 5/2021 Mack et al.
 D920,548 S 5/2021 Park et al.
 D920,549 S 5/2021 Park et al.
 11,034,254 B2 6/2021 Booth et al.
 11,040,609 B2 6/2021 Hara et al.
 D927,738 S 8/2021 Noguchi et al.
 D928,996 S 8/2021 Chen
 D930,859 S 9/2021 Park et al.
 D950,792 S * 5/2022 Davis D26/28
 D950,794 S * 5/2022 Theis D26/28
 D950,812 S * 5/2022 De Leon D26/28
 D952,203 S * 5/2022 Patel D26/28
 D956,283 S * 6/2022 Davis D26/28
 D956,285 S * 6/2022 Datta D26/28
 D957,989 S * 7/2022 Kim D12/86
 D961,126 S * 8/2022 Schmeckpeper D26/28
 D961,129 S * 8/2022 Buller D26/28
 2015/0369445 A1 12/2015 Orr et al.
 2019/0143878 A1 5/2019 Hasagic
 2021/0048162 A1 2/2021 Jo et al.
 2021/0317966 A1 10/2021 Qiu et al.
 2021/0341121 A1 11/2021 Conway et al.
 2021/0348734 A1 11/2021 Bertken

OTHER PUBLICATIONS

Padeanu, Adrian. Canoo Electric Pickup Revealed With Pull-Out Bed and Side Storage. Mar. 11, 2021. Motor 1. <https://www.motor1.com/news/493673/canoo-electric-pickup-truck-reveal/>.*

Valdes-Dapena, Peter. Canoo unveils what might be the world's cutest electric pickup. Mar. 12, 2021. CNN Business. <https://www.cnn.com/2021/03/11/cars/canoo-electric-pickup-truck/index.html>.*

Sabina Aouf, Rima. Canoo's electric and extendable Pickup truck includes pop-out workspaces. Nov. 9, 2021. Dezeen. <https://www.dezeen.com/2021/11/09/canoo-electric-extendable-pickup-truck-design/>.*

Abuelsamid, "Introducing Canoo, No Paddles Required for This Electric Van," Forbes, Sep. 24, 2019, 10 pages.

Billington, "Canoo's Limp Wall Street Debut," dot.LA, Dec. 2020, 4 pages.

Edelstein, "Jay Leno drives Canoo's subscription-only electric van," Green Car Reports, Jul. 2020, 19 pages.

"Electric Vehicle," Design—Questel, orbit.com, Online PDF compilation of references, Print dates range from Mar. 28, 2019 to Jan. 20, 2021, Retrieved Jun. 29, 2021, 49 pages.

Halvorson, "Canoo wont let you buy the EVs they're developing for 2021 and beyond," Green Car Reports, Sep. 25, 2019, 22 pages.

"Headlamps," Designs—Questel, orbit.com, Online PDF compilation of references, Print dates range from Dec. 3, 2020 to Jul. 3, 2021, Retrieved Jan. 18, 2022, 72 pages.

O'Kane, "Canoo's First Subscription-Only EV is a Refreshing Rethink of the VW Microbus," The Verge, Sep. 24, 2019, 11 pages.

Reynolds, "The Canoo Electric Car: 6 Thoughts After Visiting the EV Startup," Motor Trend, Oct. 2019, 6 pages.

Ex parte Quayle Action dated Feb. 1, 2022 in connection with U.S. Appl. No. 29/801,415, 6 pages.

Notice of Allowance dated Mar. 7, 2022 in connection with U.S. Appl. No. 29/801,415, 5 pages.

* cited by examiner

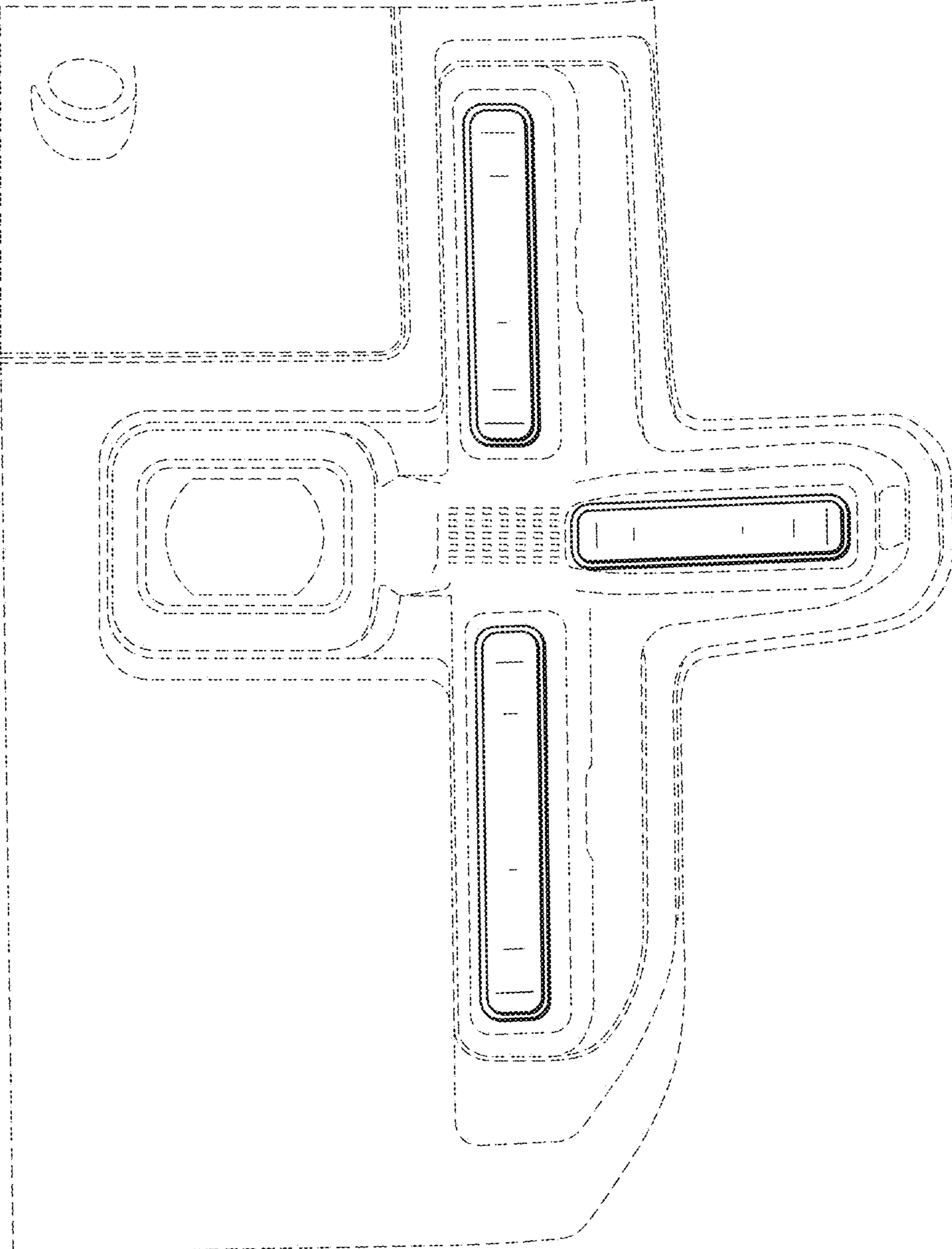


FIG. 1

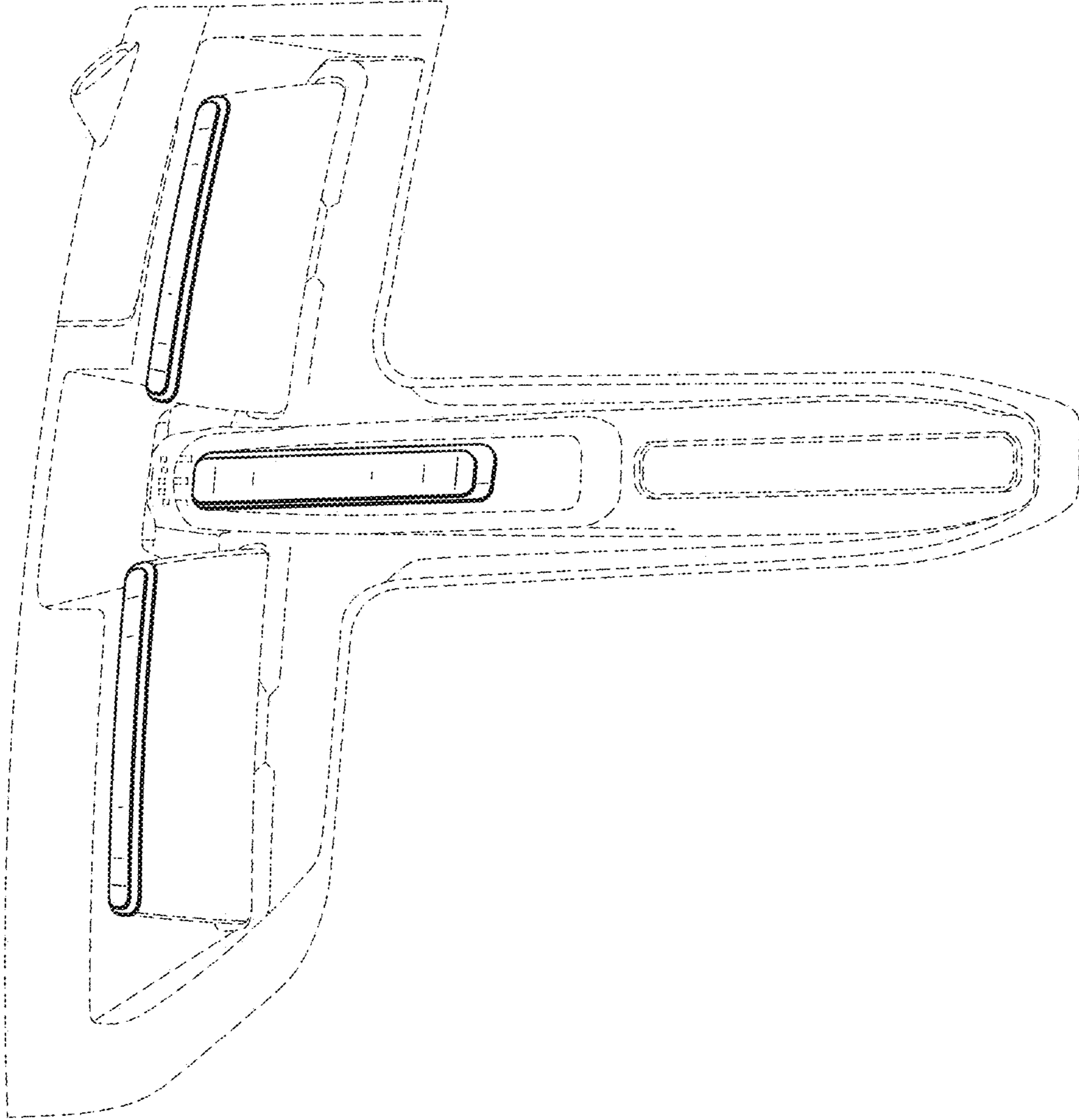


FIG. 2

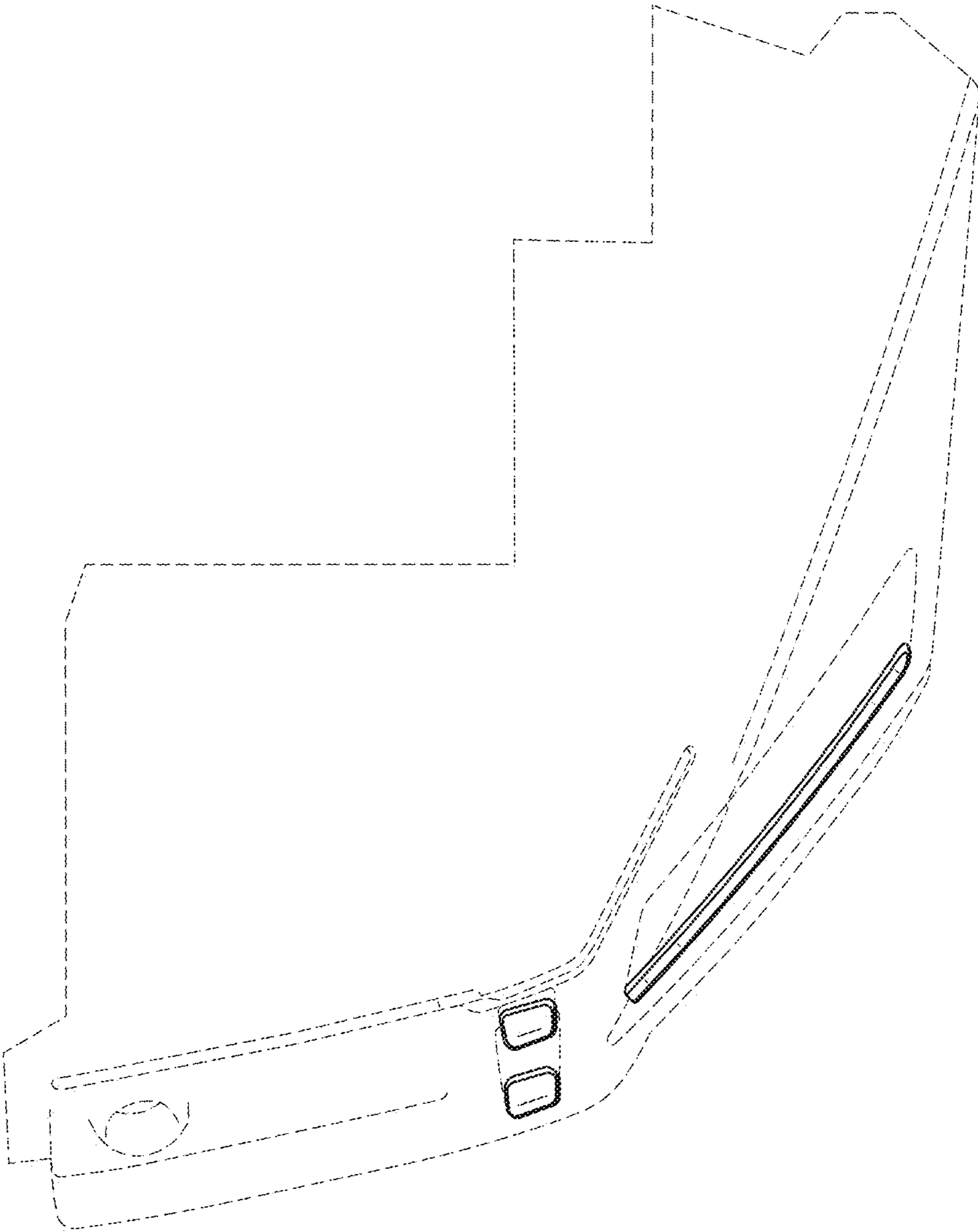


FIG. 3

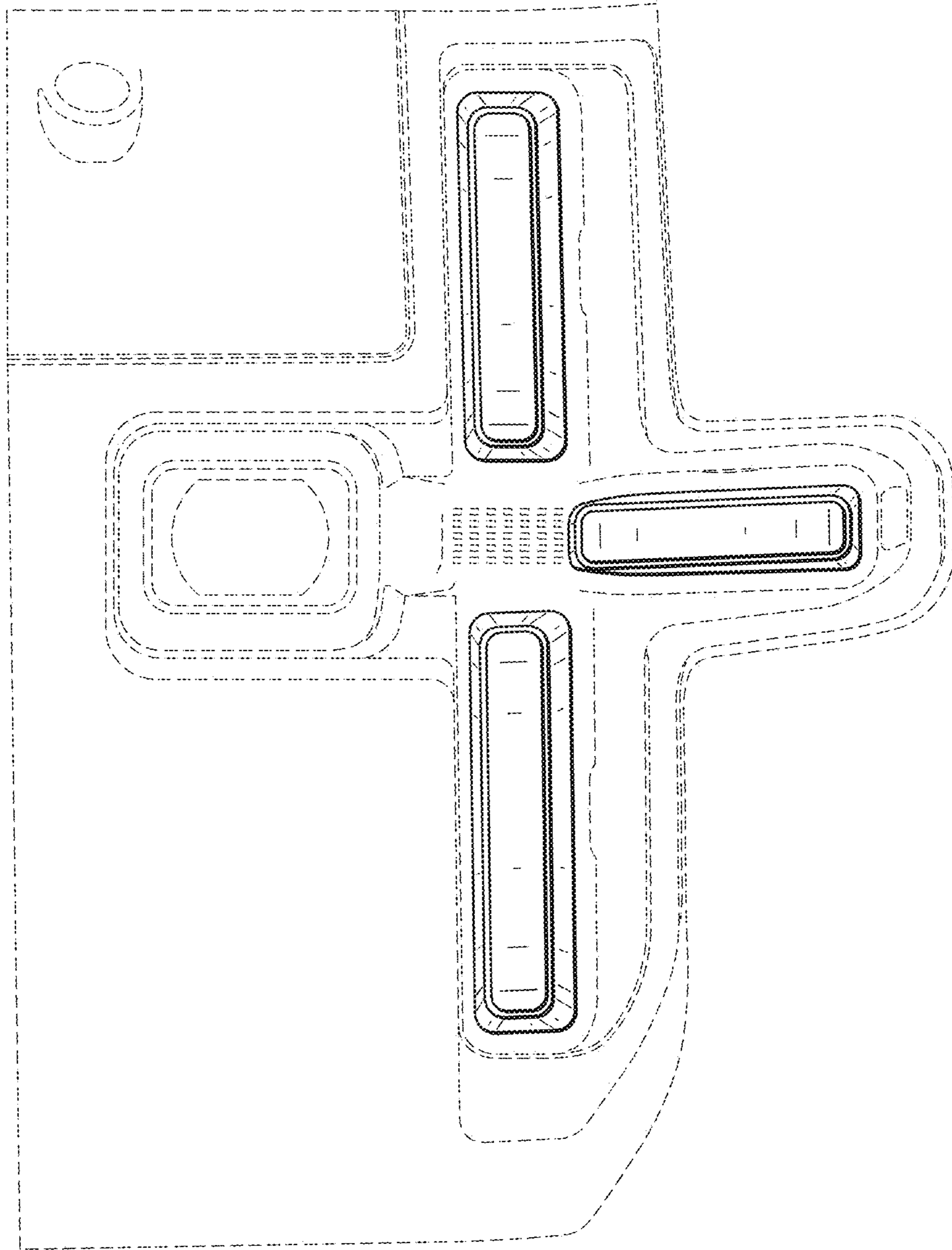


FIG. 4

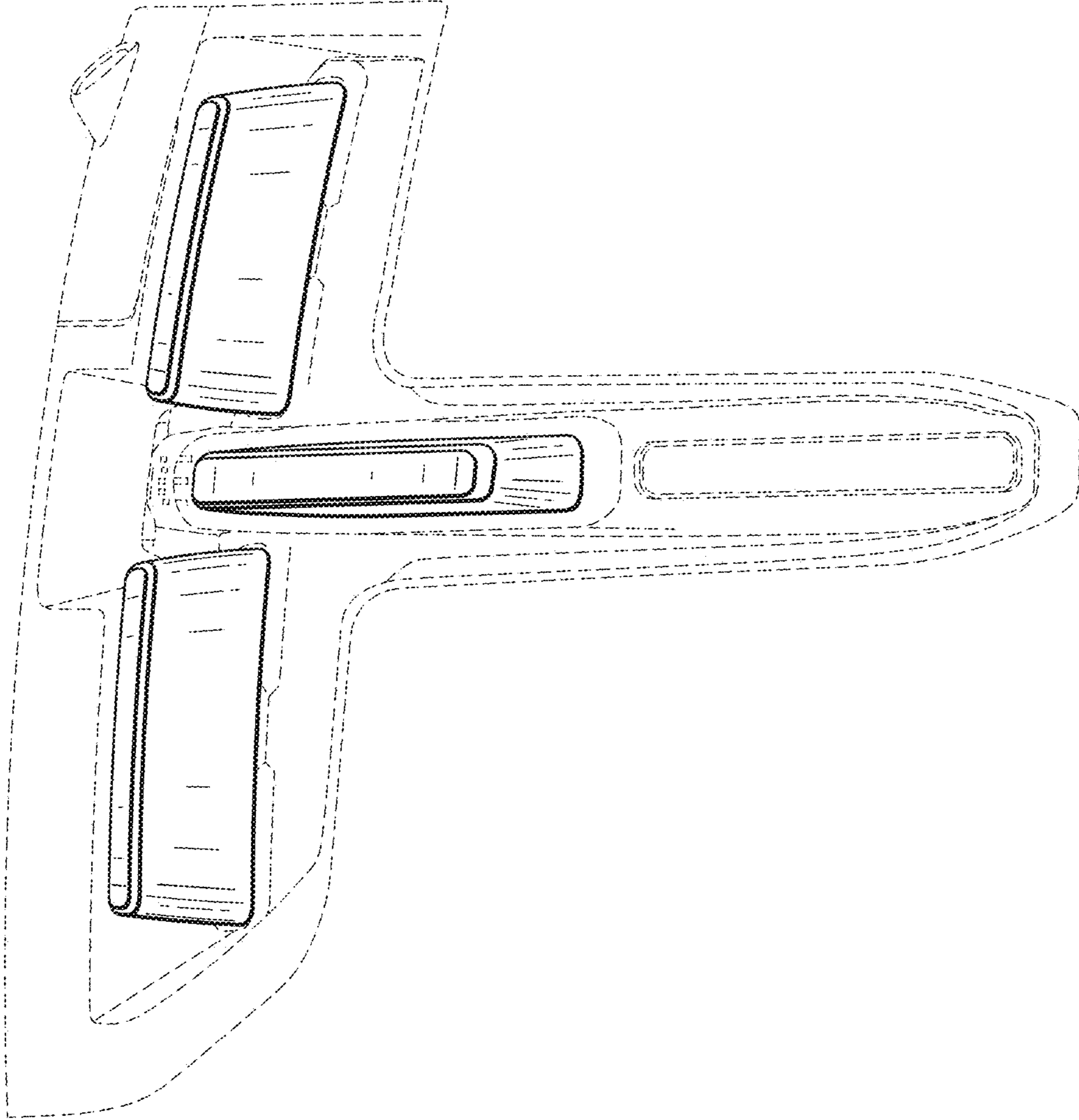


FIG. 5

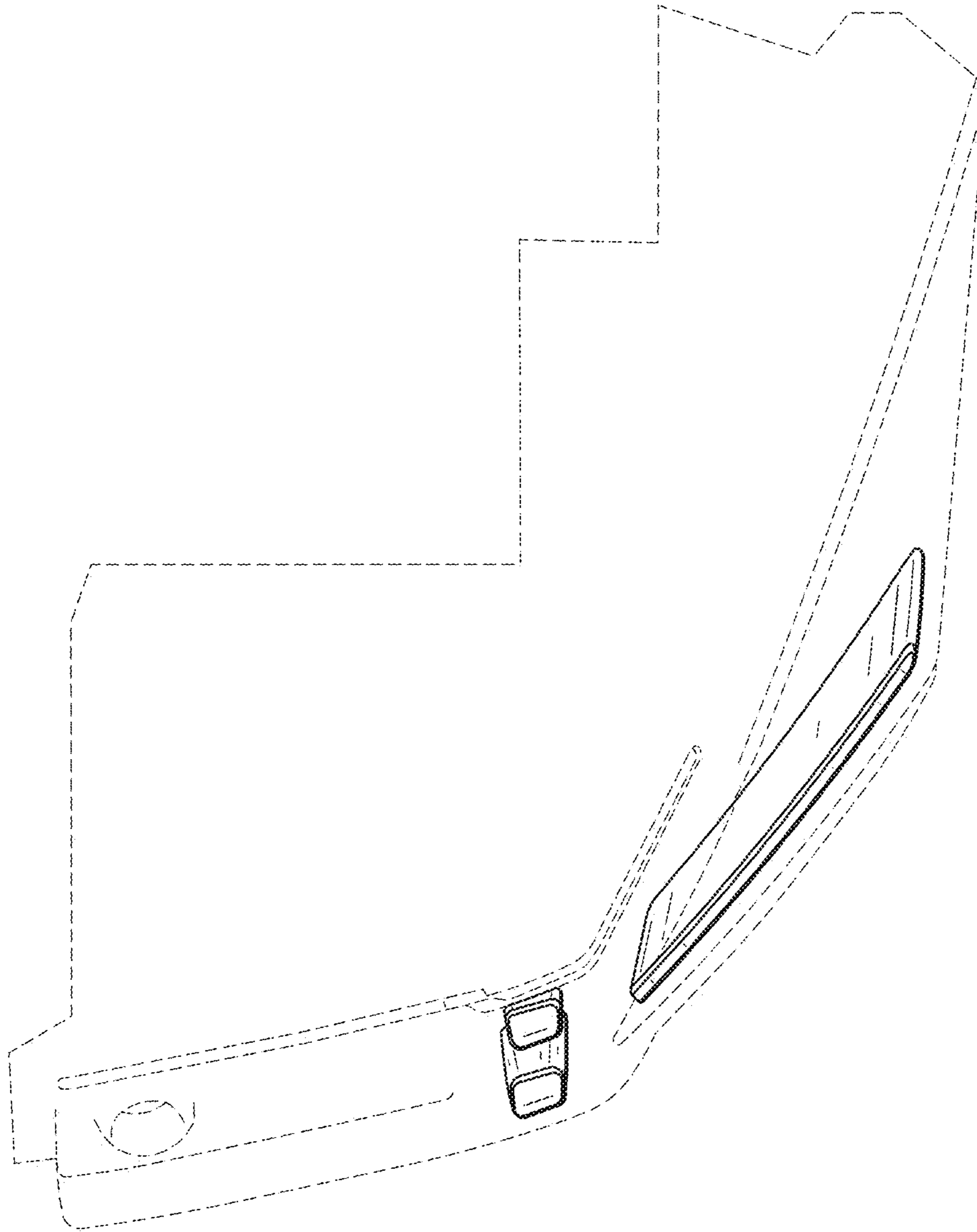


FIG. 6

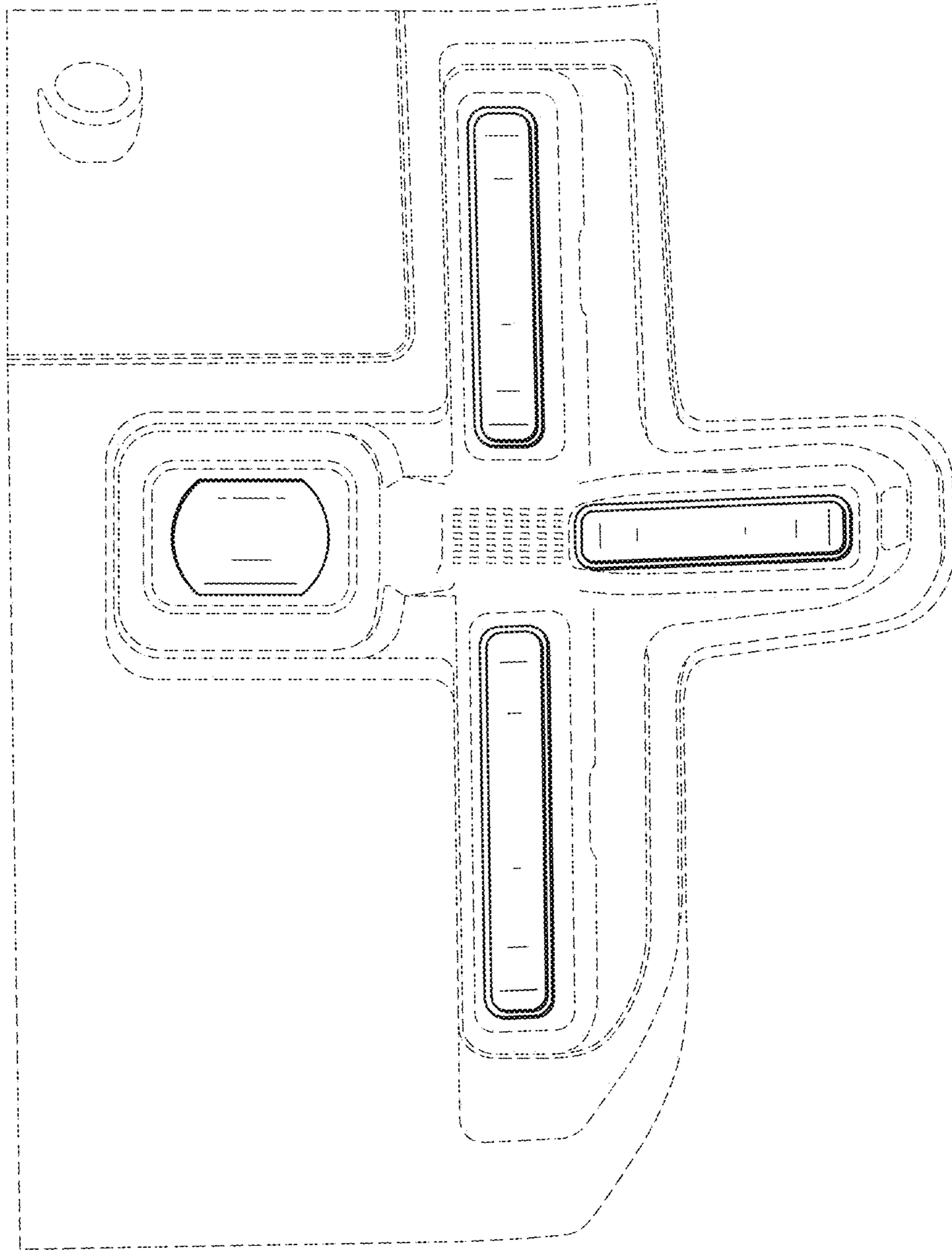


FIG. 7

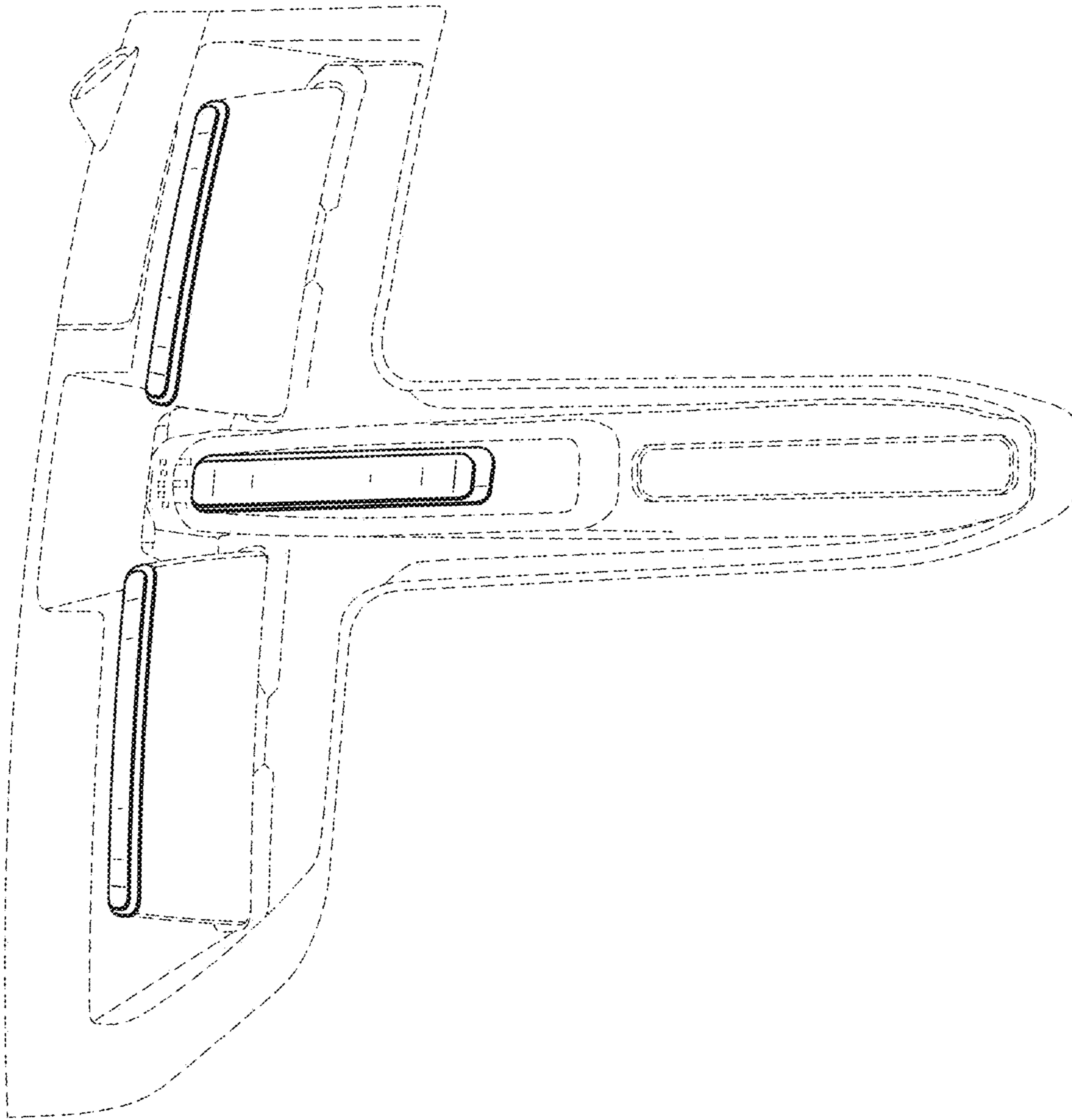


FIG. 8

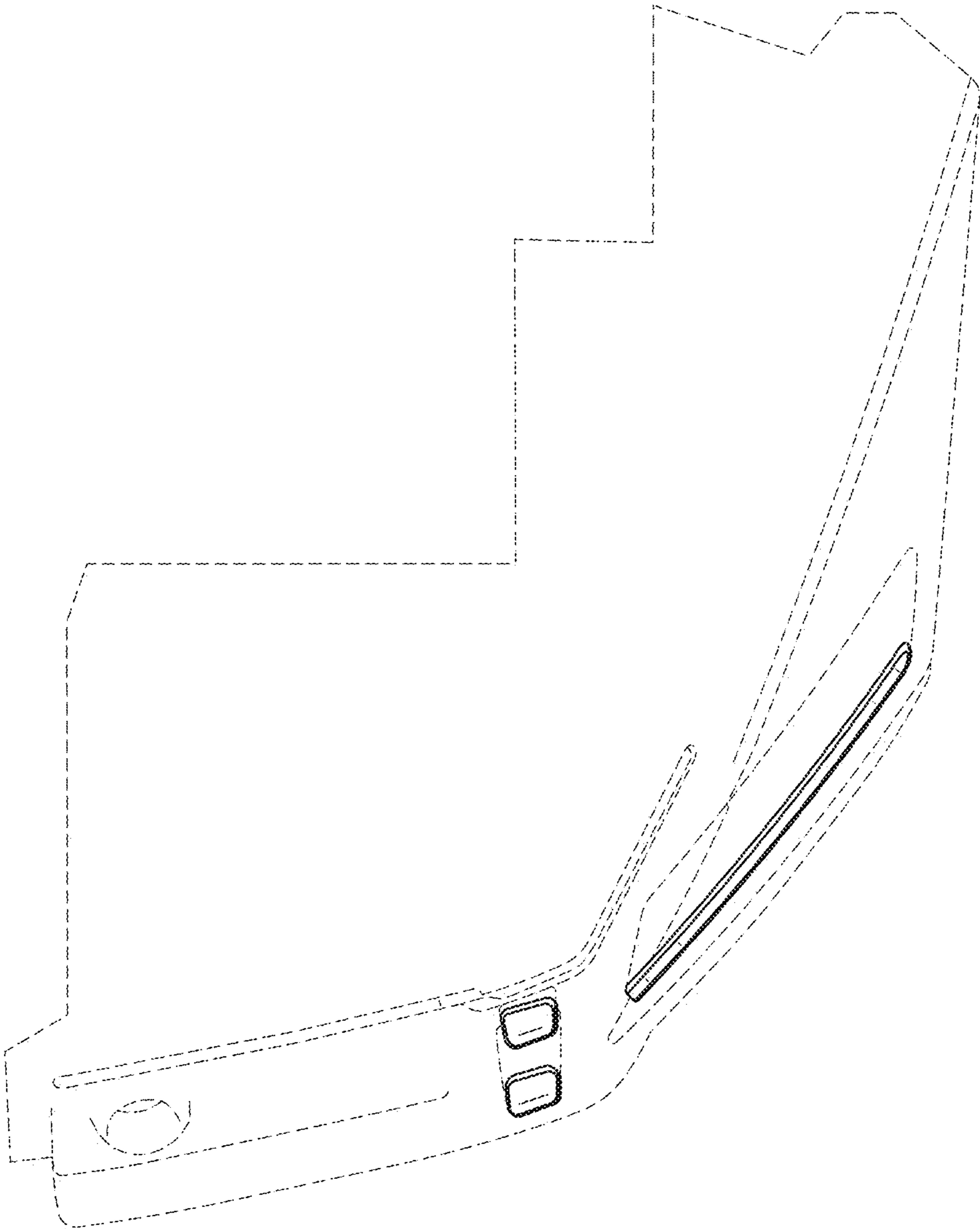


FIG. 9