



US00D979813S

(12) **United States Design Patent**  
**Zhai**

(10) **Patent No.:** **US D979,813 S**  
(45) **Date of Patent:** **\*\* Feb. 28, 2023**

(54) **TAILLIGHT FOR A VEHICLE**  
(71) Applicant: **Bayerische Motoren Werke**  
**Aktiengesellschaft, Munich (DE)**  
(72) Inventor: **Chunyue Zhai, Munich (DE)**  
(73) Assignee: **Bayerische Motoren Werke**  
**Aktiengesellschaft, Munich (DE)**  
(\*\*) Term: **15 Years**  
(21) Appl. No.: **29/786,465**  
(22) Filed: **Jun. 1, 2021**

D866,026 S \* 11/2019 Hannemann ..... D26/28  
D869,021 S \* 12/2019 Allmendinger ..... D26/28  
D870,333 S \* 12/2019 Choi ..... D26/28  
D884,938 S \* 5/2020 Zhai ..... D26/28  
D893,774 S \* 8/2020 Binder ..... D26/28  
D894,446 S \* 8/2020 Allmendinger ..... D26/28  
D919,858 S \* 5/2021 Park ..... D26/28  
D933,266 S \* 10/2021 Park ..... D26/28  
D934,464 S \* 10/2021 Allmendinger ..... D26/28  
D934,466 S \* 10/2021 Allmendinger ..... D26/28  
D935,652 S \* 11/2021 Hwang ..... D26/28  
D946,795 S \* 3/2022 Kim ..... D26/28  
D948,759 S \* 4/2022 Jung ..... F21S 2/00  
D26/28  
D966,578 S \* 10/2022 Thomas ..... D26/28

(30) **Foreign Application Priority Data**  
Dec. 4, 2020 (DE) ..... 402020101156.8  
(51) **LOC (14) Cl.** ..... **26-06**  
(52) **U.S. Cl.**  
USPC ..... **D26/28**  
(58) **Field of Classification Search**  
USPC ..... D26/28, 29, 30, 31, 32, 33, 34, 35, 36,  
D26/139  
CPC ..... F21W 2103/35; F21W 2103/40; F21W  
2102/17; F21W 2102/30; F21W 2103/00;  
F21W 2103/55; F21W 2104/00; F21W  
2107/17; F21W 2107/13; F21S 41/00;  
F21S 41/141; F21S 41/162; F21S 41/18;  
F21S 41/20; F21S 41/33; F21S 41/36;  
F21S 41/60; F21S 43/00; F21V 21/04  
See application file for complete search history.

**FOREIGN PATENT DOCUMENTS**

WO WO DM/071790 11/2009  
WO WO DM/208232 11/2020

\* cited by examiner

*Primary Examiner* — Angela J Lee  
(74) *Attorney, Agent, or Firm* — Crowell & Moring LLP

(56) **References Cited**  
U.S. PATENT DOCUMENTS

D694,440 S 11/2013 Johnson  
D844,190 S 3/2019 Nordmann  
D844,192 S 3/2019 Nordmann

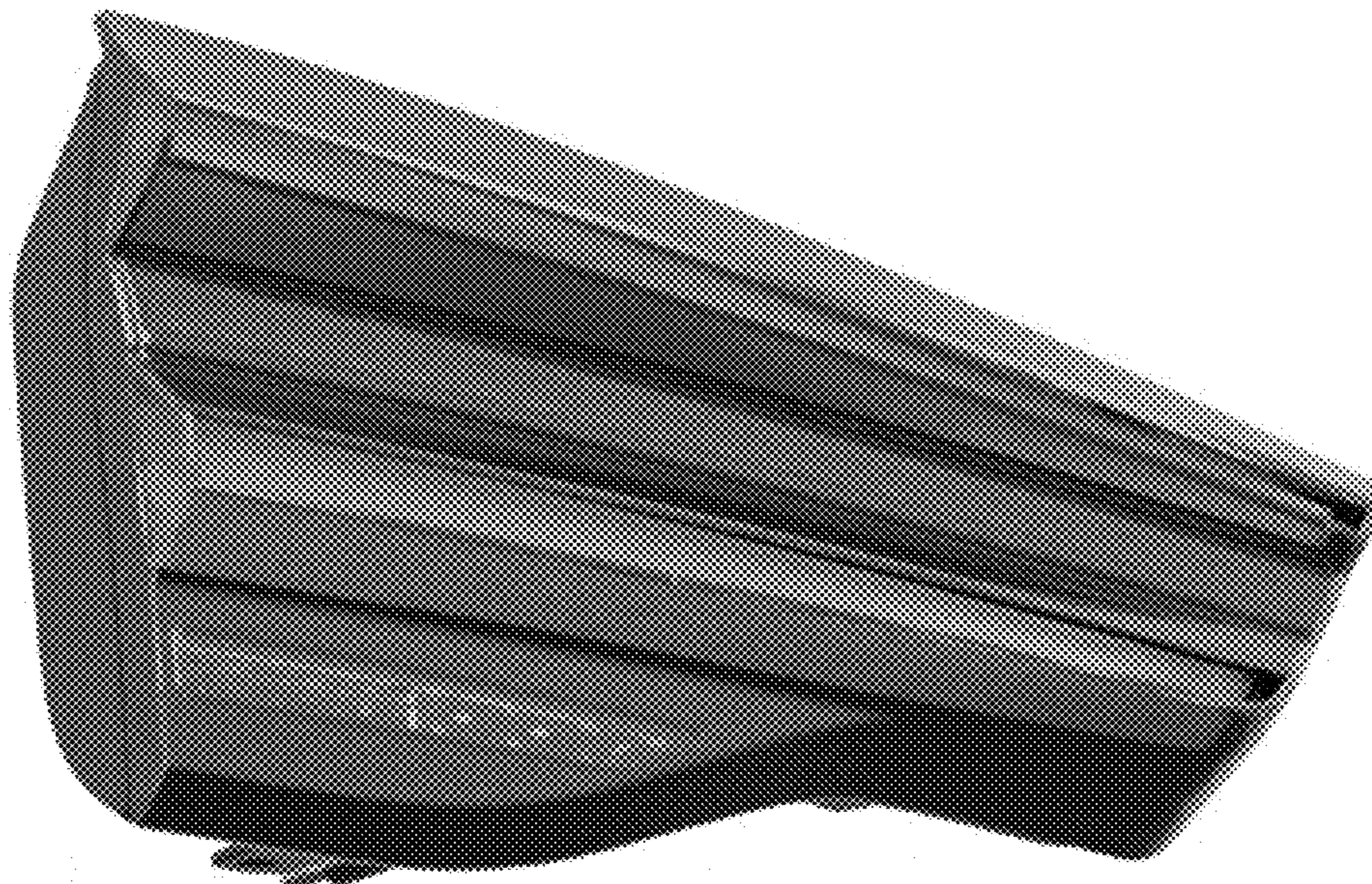
(57) **CLAIM**

The ornamental design for a taillight for a vehicle, as shown and described.

**DESCRIPTION**

FIG. 1 is a front view of a taillight for a vehicle according to the design;  
FIG. 2 is a left, bottom perspective view thereof;  
FIG. 3 is a right, front perspective view thereof;  
FIG. 4 is a left side view thereof;  
FIG. 5 is a right side view thereof;  
FIG. 6 is a top view thereof;  
FIG. 7 is a bottom view thereof; and,  
FIG. 8 is a rear view thereof.

**1 Claim, 8 Drawing Sheets**





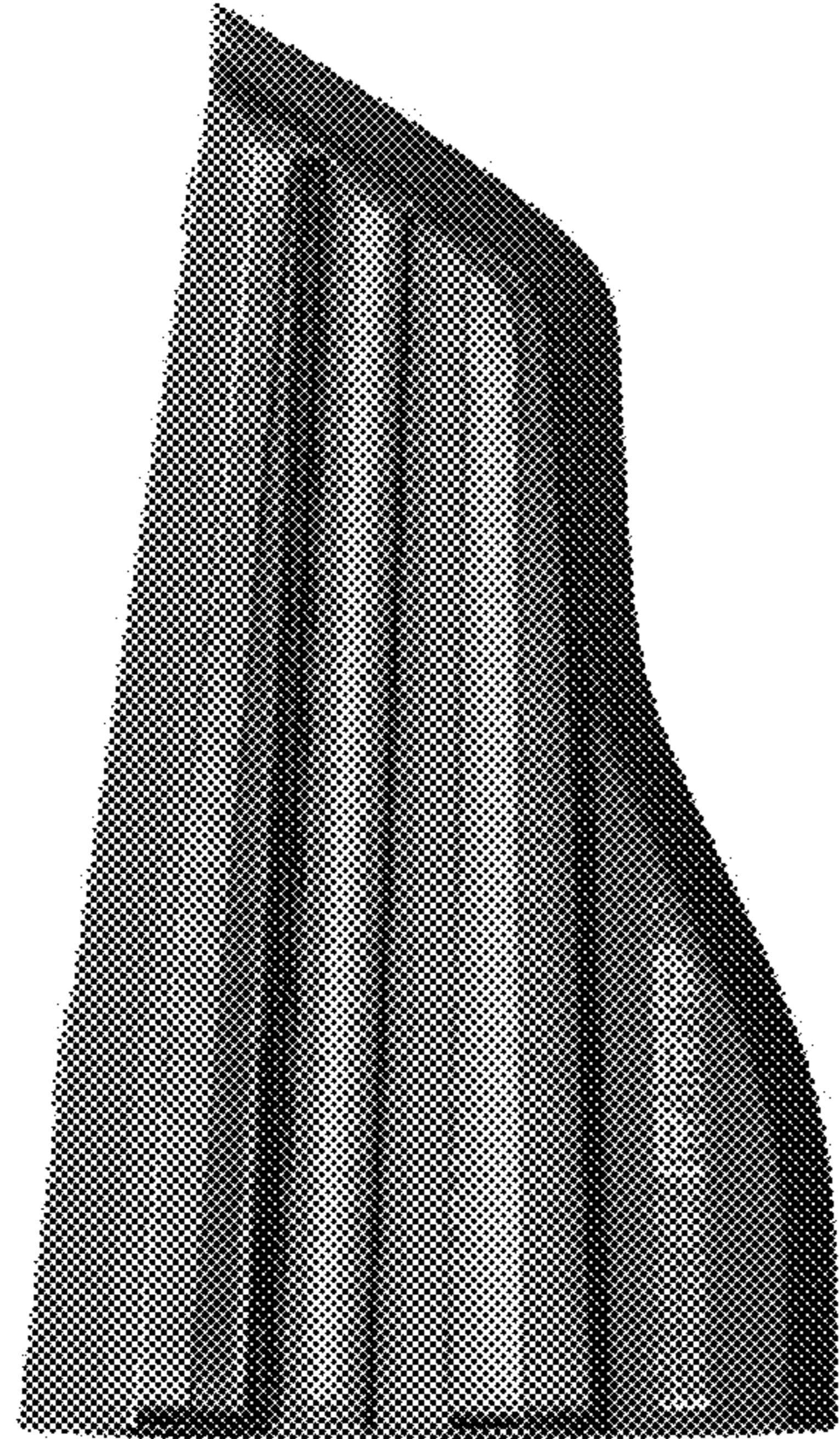


Fig. 1

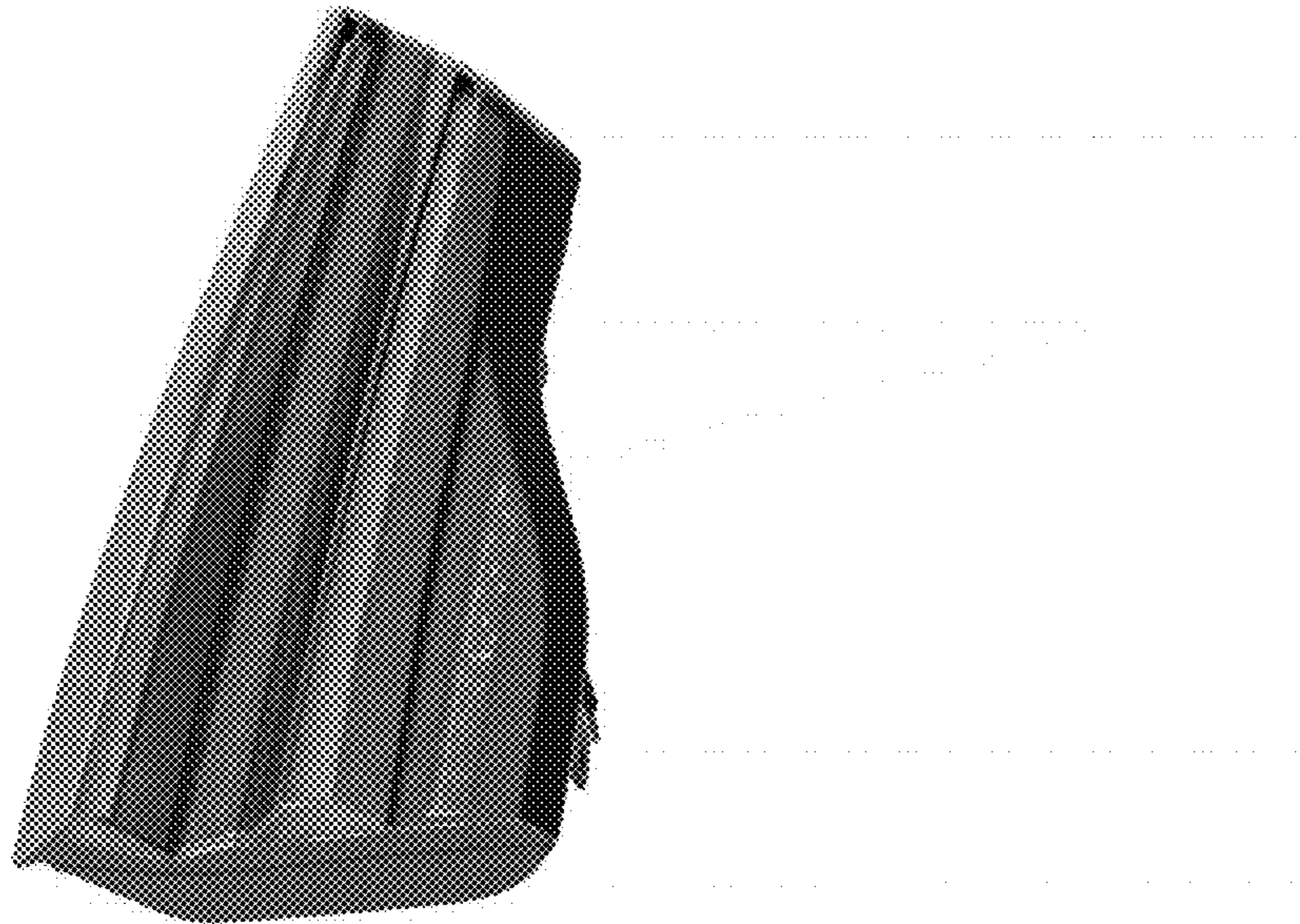


Fig. 2

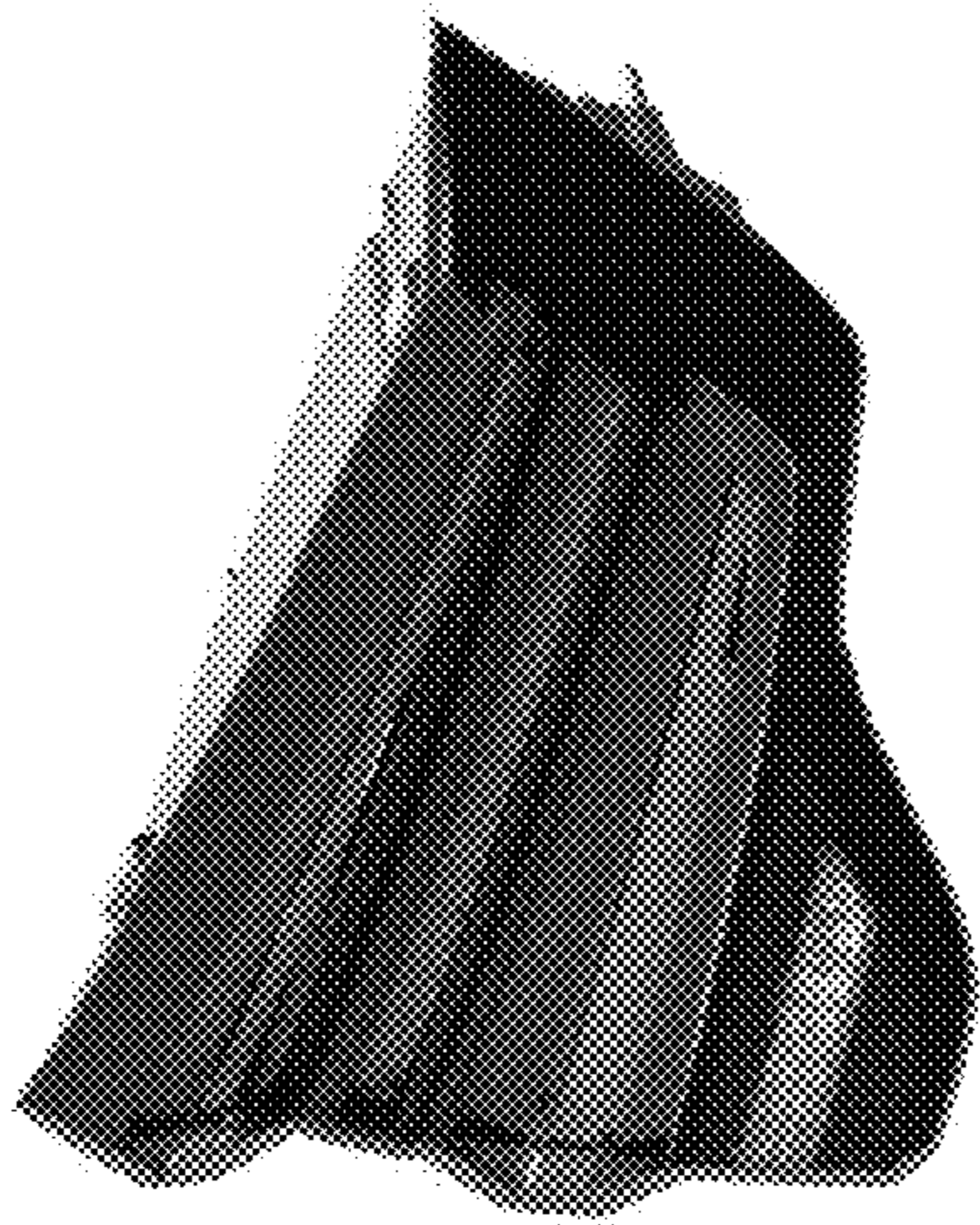


Fig. 3

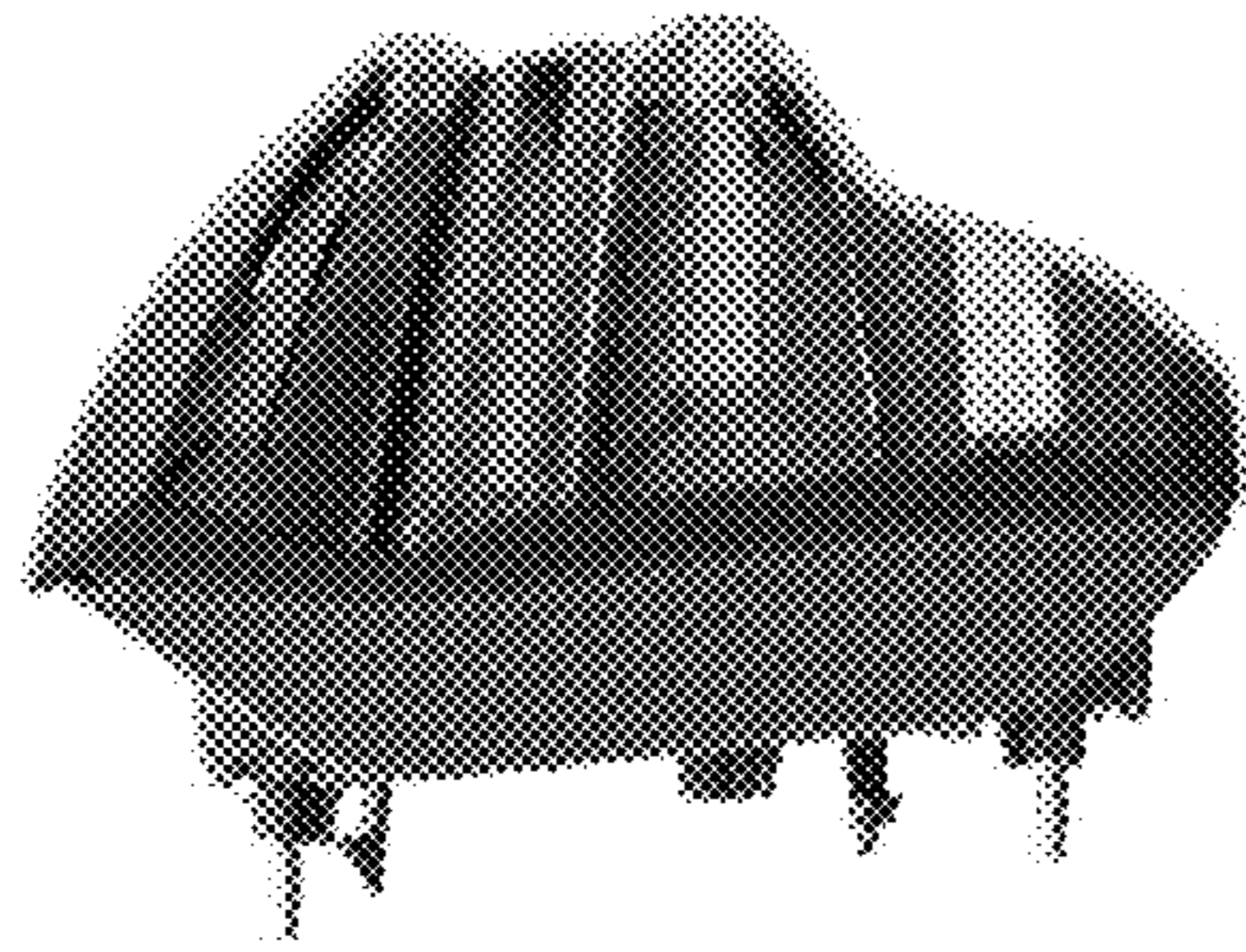


Fig. 4



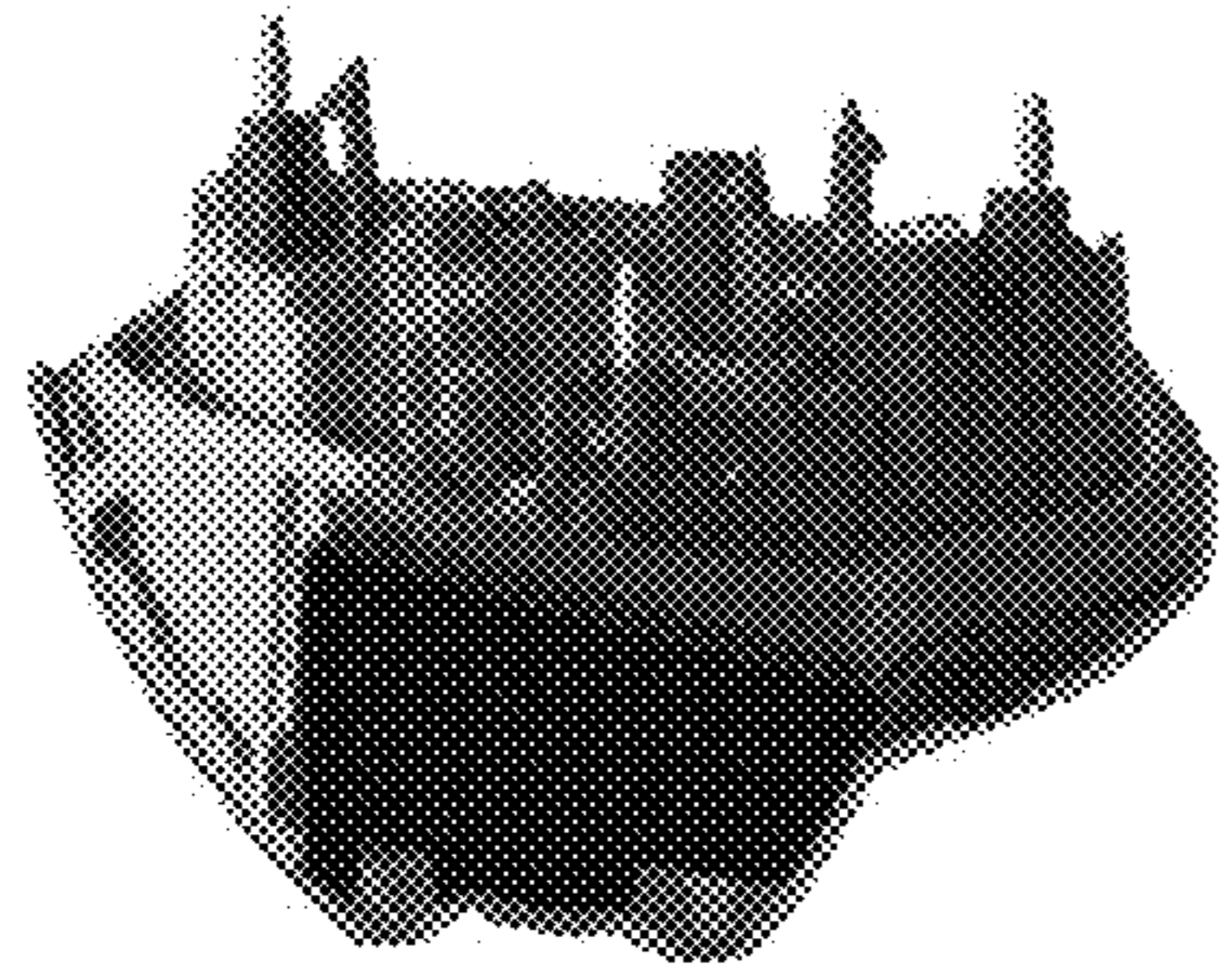


Fig. 5

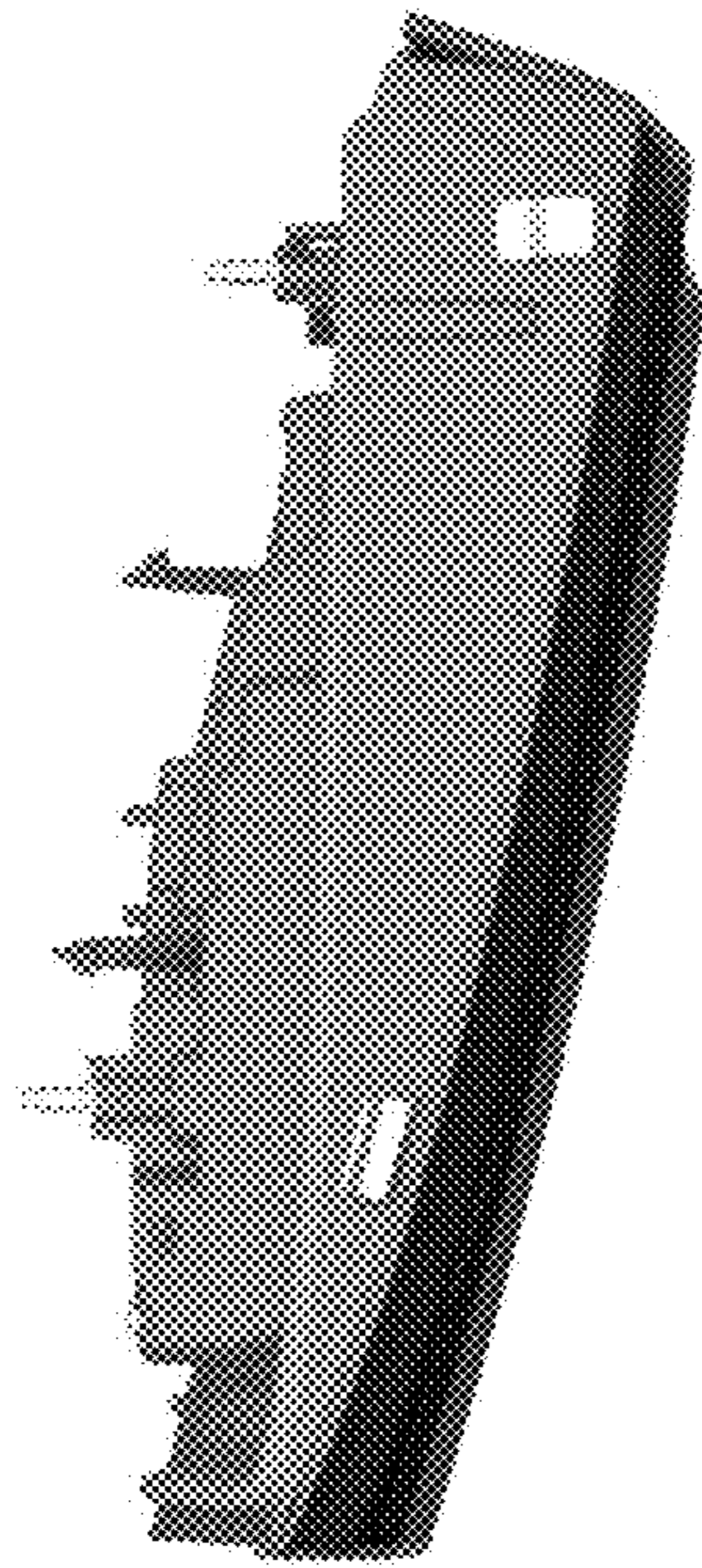


Fig. 6

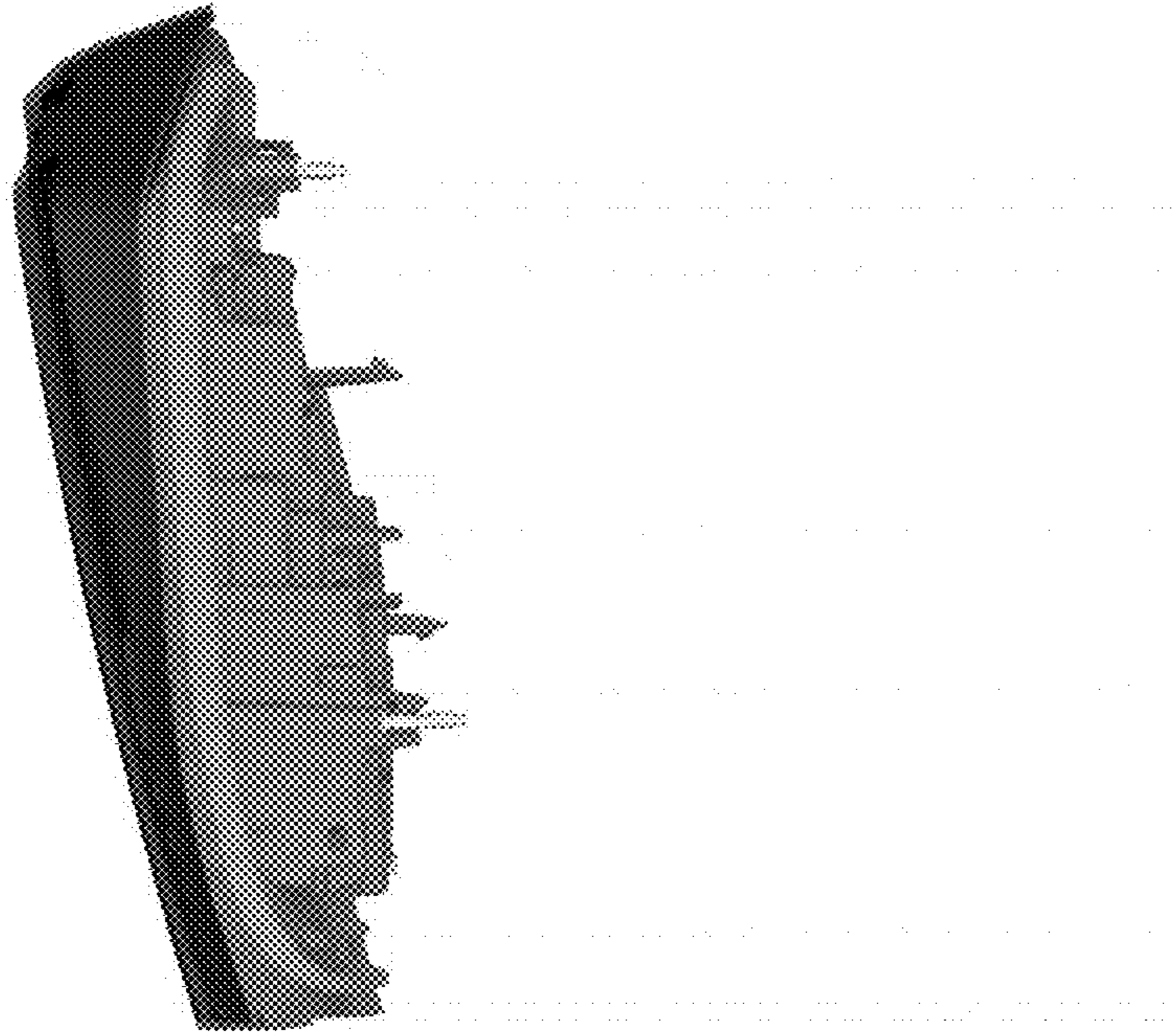


Fig. 7



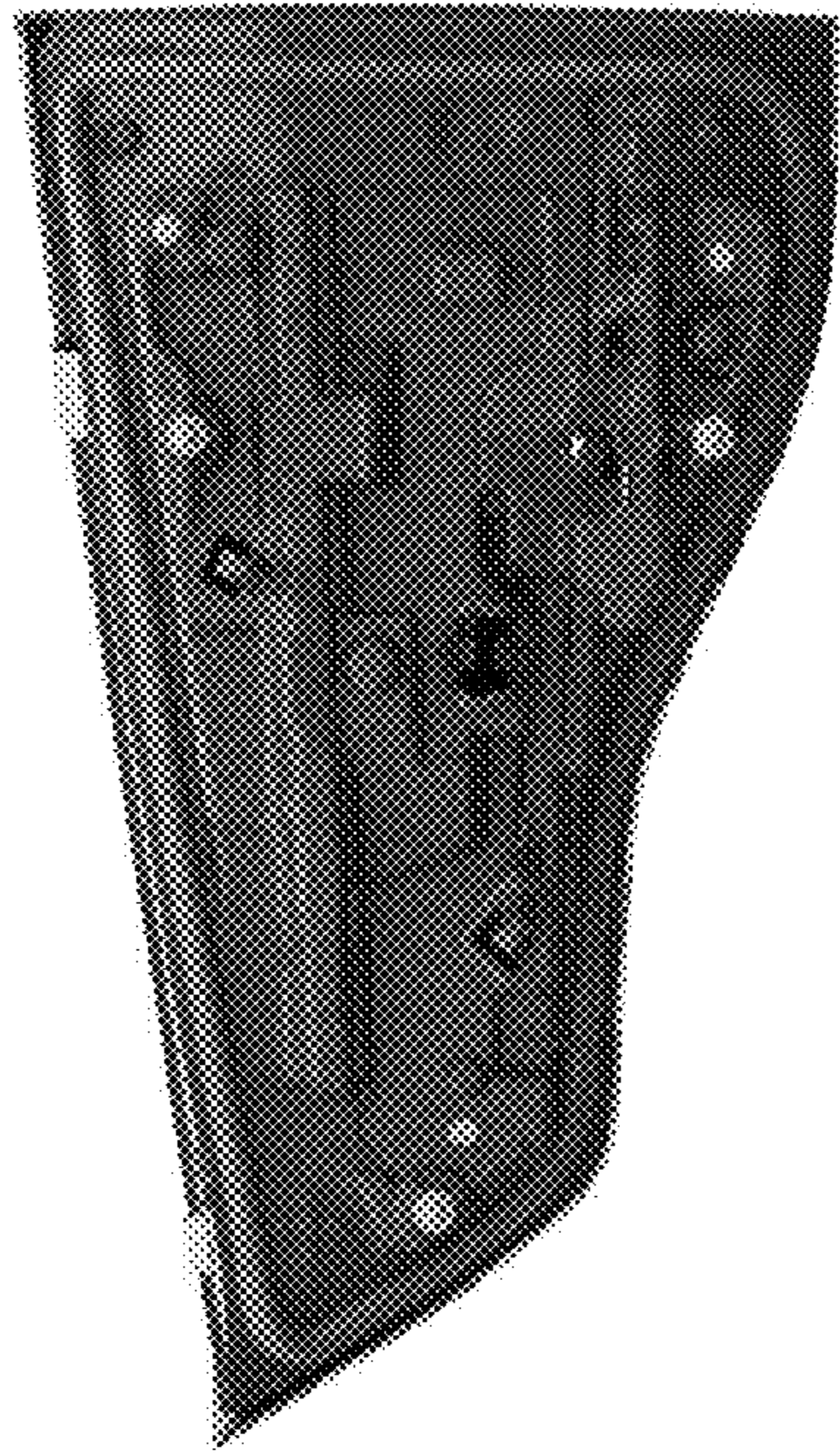


Fig. 8