



US00D979812S

(12) **United States Design Patent** (10) **Patent No.:** **US D979,812 S**
Zhai (45) **Date of Patent:** **** Feb. 28, 2023**

(54) **TAILLIGHT FOR A VEHICLE**
(71) Applicant: **Bayerische Motoren Werke Aktiengesellschaft, Munich (DE)**
(72) Inventor: **Chunyue Zhai, Munich (DE)**
(73) Assignee: **Bayerische Motoren Werke Aktiengesellschaft, Munich (DE)**
(**) Term: **15 Years**

D844,191 S	3/2019	Nordmann	
D844,192 S *	3/2019	Nordmann	D26/28
D869,020 S *	12/2019	Allmendinger	D26/28
D870,330 S *	12/2019	Binder	D26/28
D871,629 S *	12/2019	Lai	D26/28
D884,937 S *	5/2020	Zhai	D26/28
D893,773 S *	8/2020	Binder	D26/28
D894,445 S *	8/2020	Allmendinger	D26/28
D929,003 S *	8/2021	Thomas	D26/28
D934,465 S *	10/2021	Allmendinger	D26/28
D936,255 S *	11/2021	Ito	D26/28
D942,056 S *	1/2022	Allmendinger	D26/28

(21) Appl. No.: **29/786,464**
(22) Filed: **Jun. 1, 2021**

FOREIGN PATENT DOCUMENTS

WO	WO DM/208232	11/2020
WO	WO DM/215578	7/2021

(30) **Foreign Application Priority Data**

Dec. 4, 2020 (DE) 402020101156.8

(51) **LOC (14) Cl.** **26-06**

(52) **U.S. Cl.**
USPC **D26/28**

(58) **Field of Classification Search**
USPC D26/28, 29, 30, 31, 32, 33, 34, 35, 36, D26/139

CPC F21W 2103/35; F21W 2103/40; F21W 2102/17; F21W 2102/30; F21W 2103/00; F21W 2103/55; F21W 2104/00; F21W 2107/17; F21W 2107/13; F21S 41/00; F21S 41/141; F21S 41/162; F21S 41/18; F21S 41/20; F21S 41/33; F21S 41/36; F21S 41/60; F21S 43/00; F21V 21/04
See application file for complete search history.

(56) **References Cited**

U.S. PATENT DOCUMENTS

D765,289 S *	8/2016	Luk	D26/28
D844,190 S *	3/2019	Nordmann	D26/28

* cited by examiner

Primary Examiner — Angela J Lee

(74) *Attorney, Agent, or Firm* — Crowell & Moring LLP

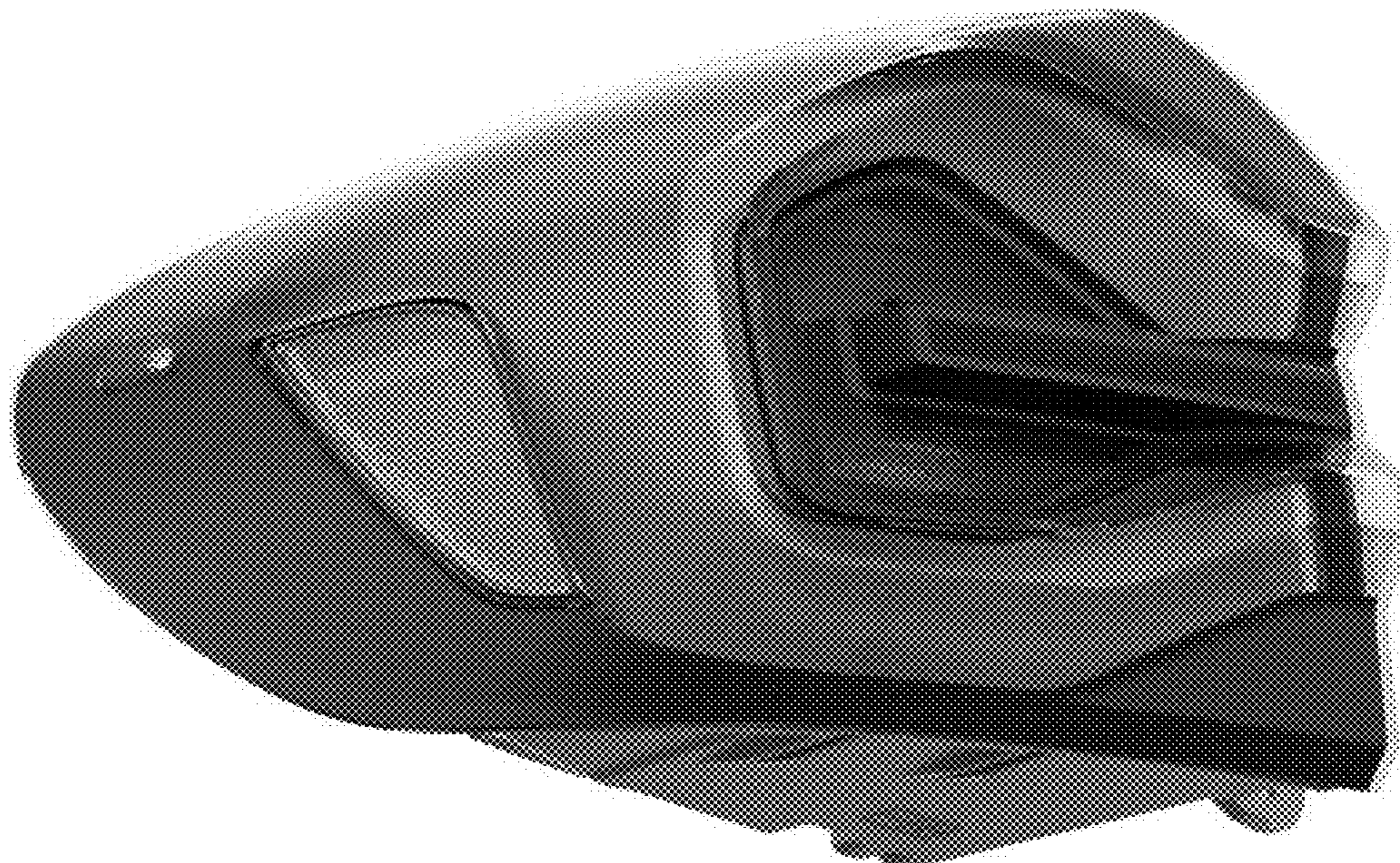
(57) **CLAIM**

The ornamental design for a taillight for a vehicle, as shown and described.

DESCRIPTION

FIG. 1 is a front view of a taillight for a vehicle according to the design;
FIG. 2 is a left, bottom perspective view thereof;
FIG. 3 is a right, front perspective view thereof;
FIG. 4 is a left side view thereof;
FIG. 5 is a right side view thereof;
FIG. 6 is a top view thereof;
FIG. 7 is a bottom view thereof; and,
FIG. 8 is a rear view thereof.

1 Claim, 8 Drawing Sheets



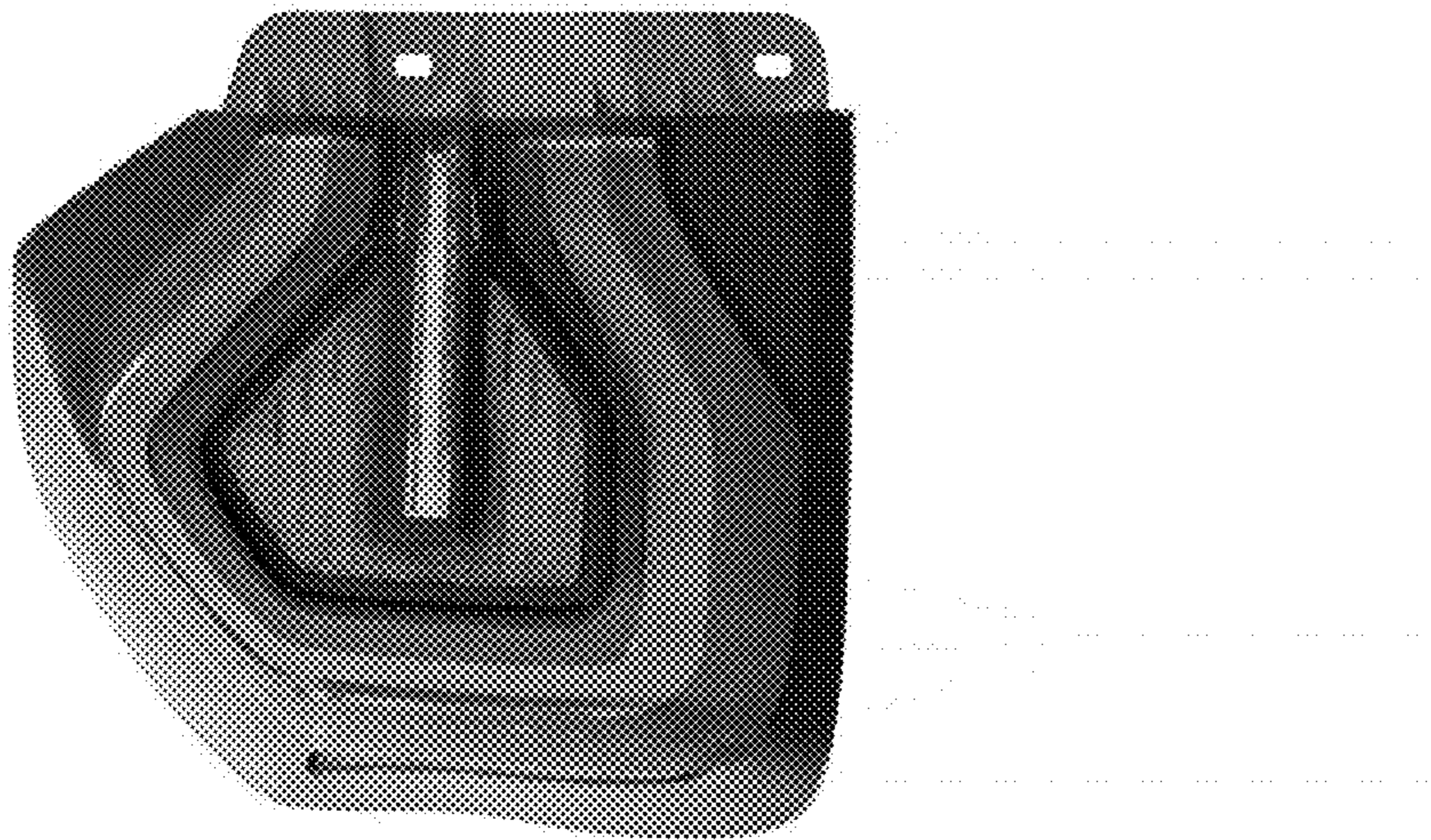


Fig. 1



Fig. 2

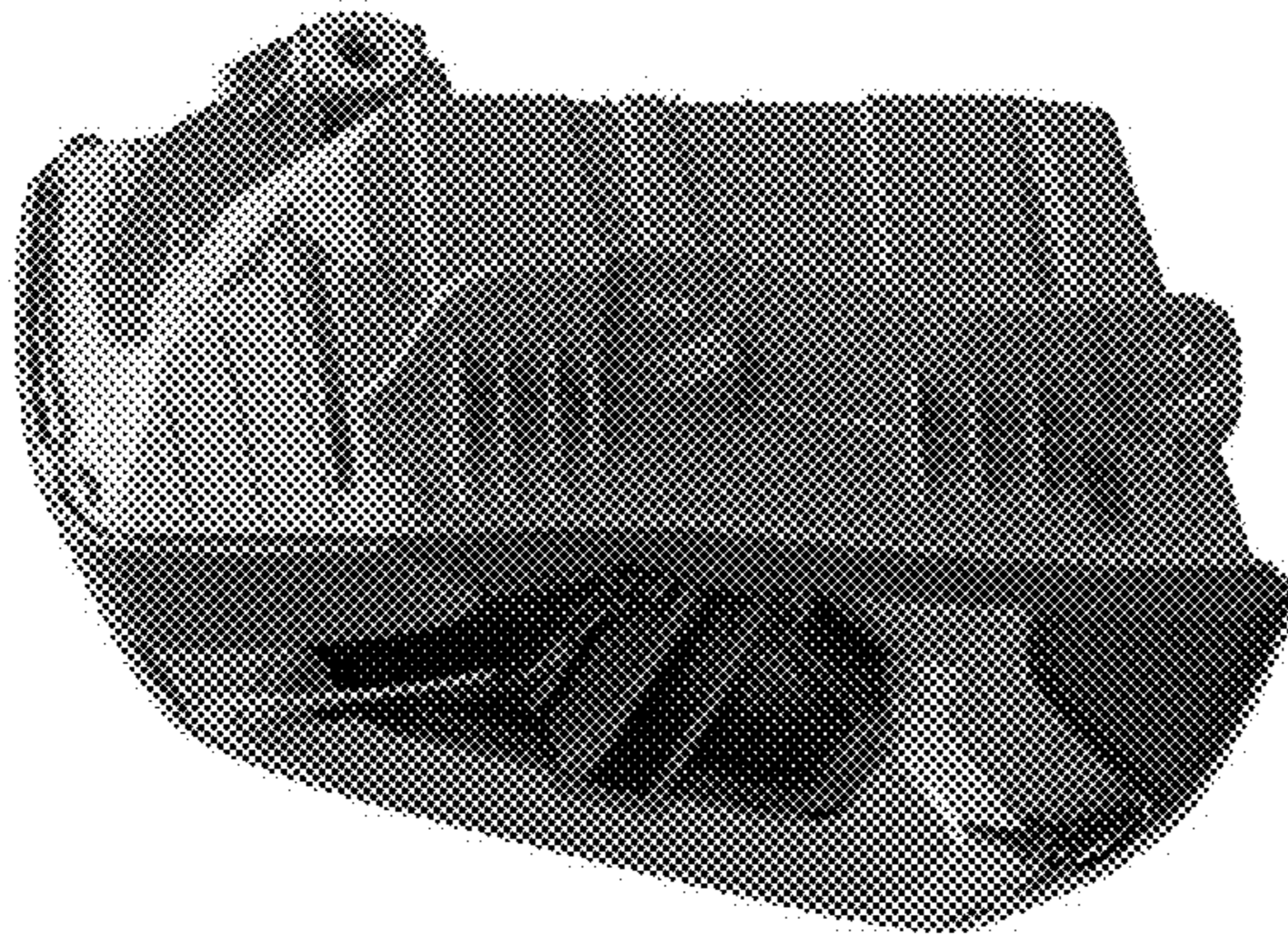


Fig. 3



Fig. 4

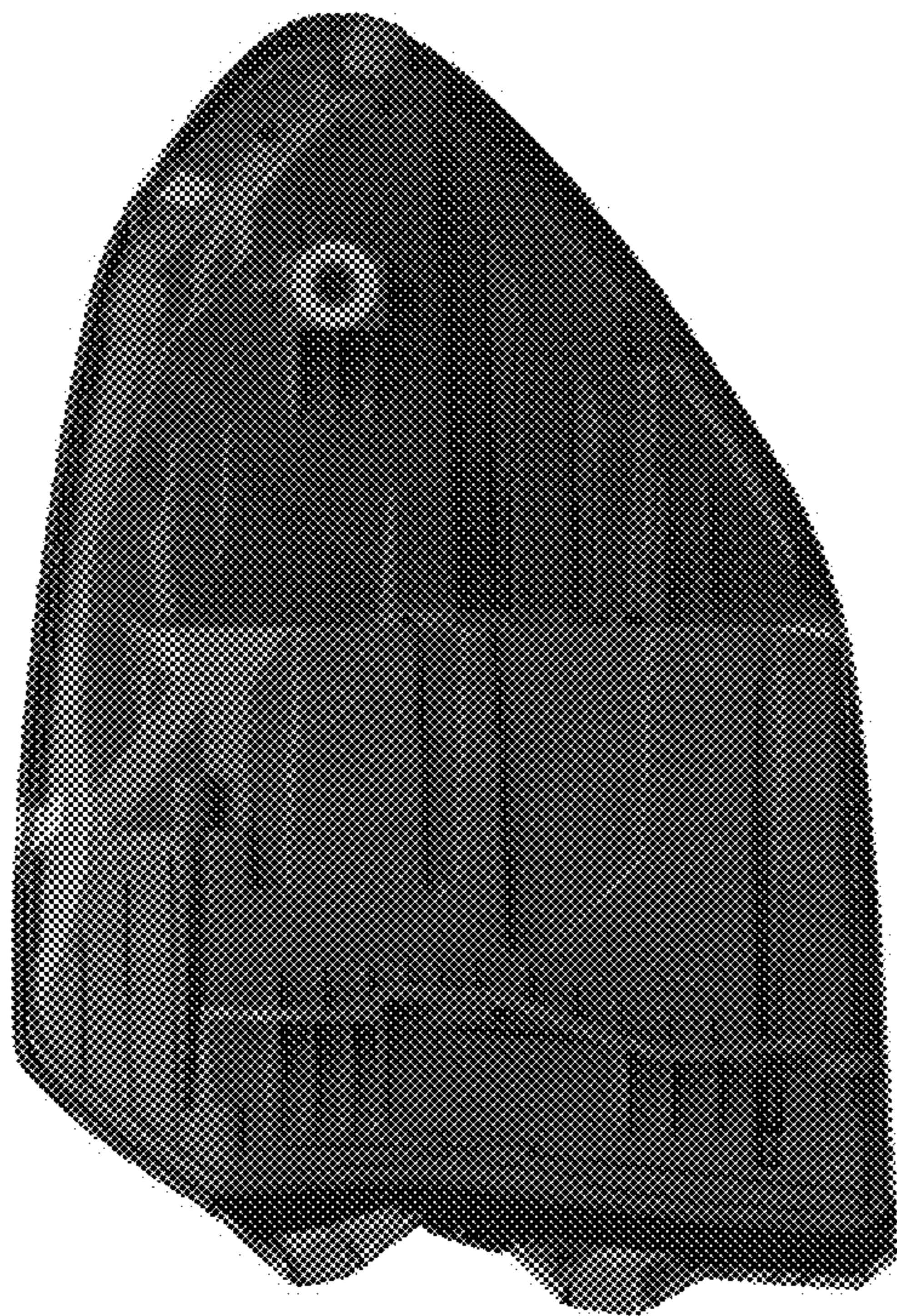


Fig. 5

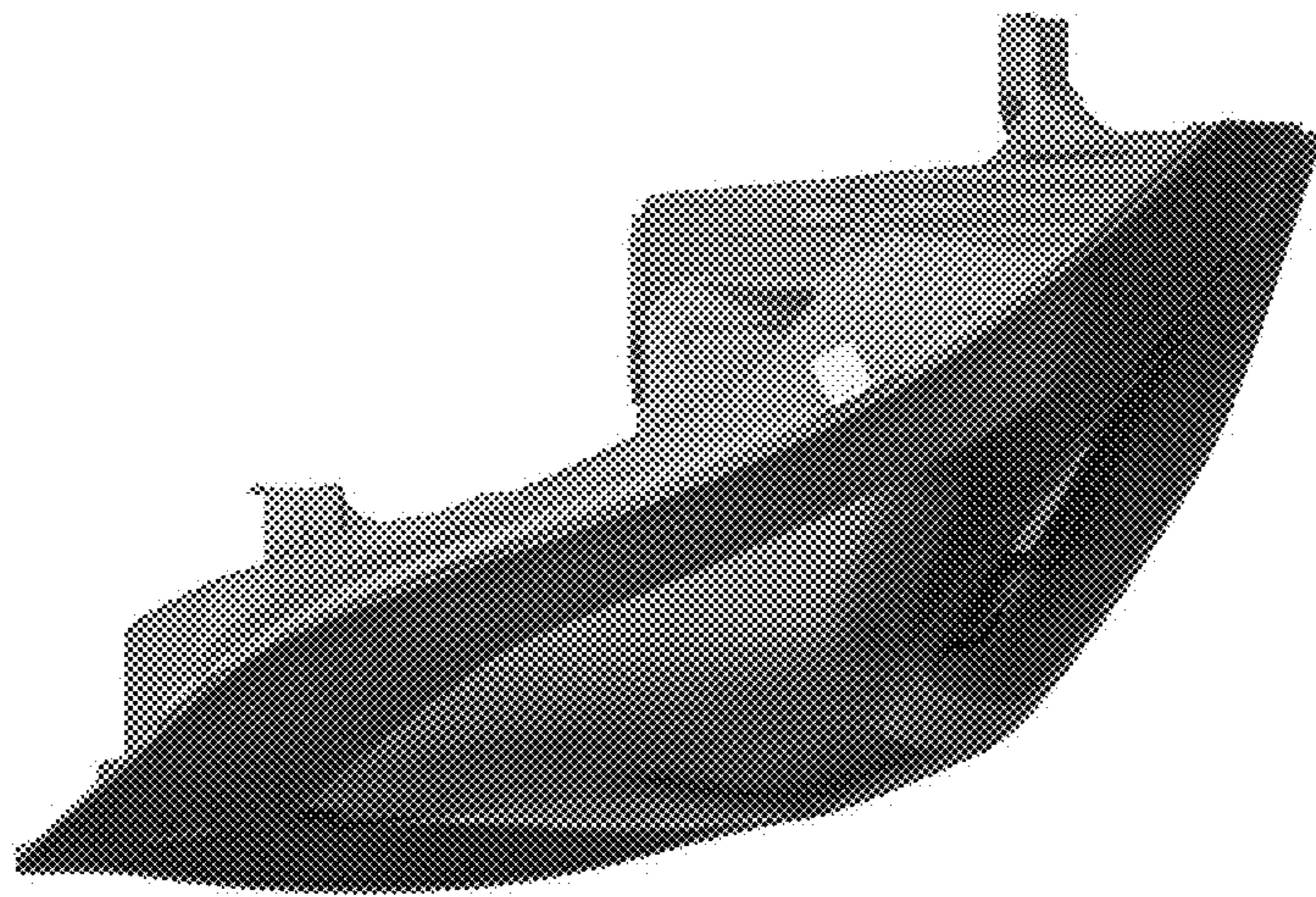


Fig. 6

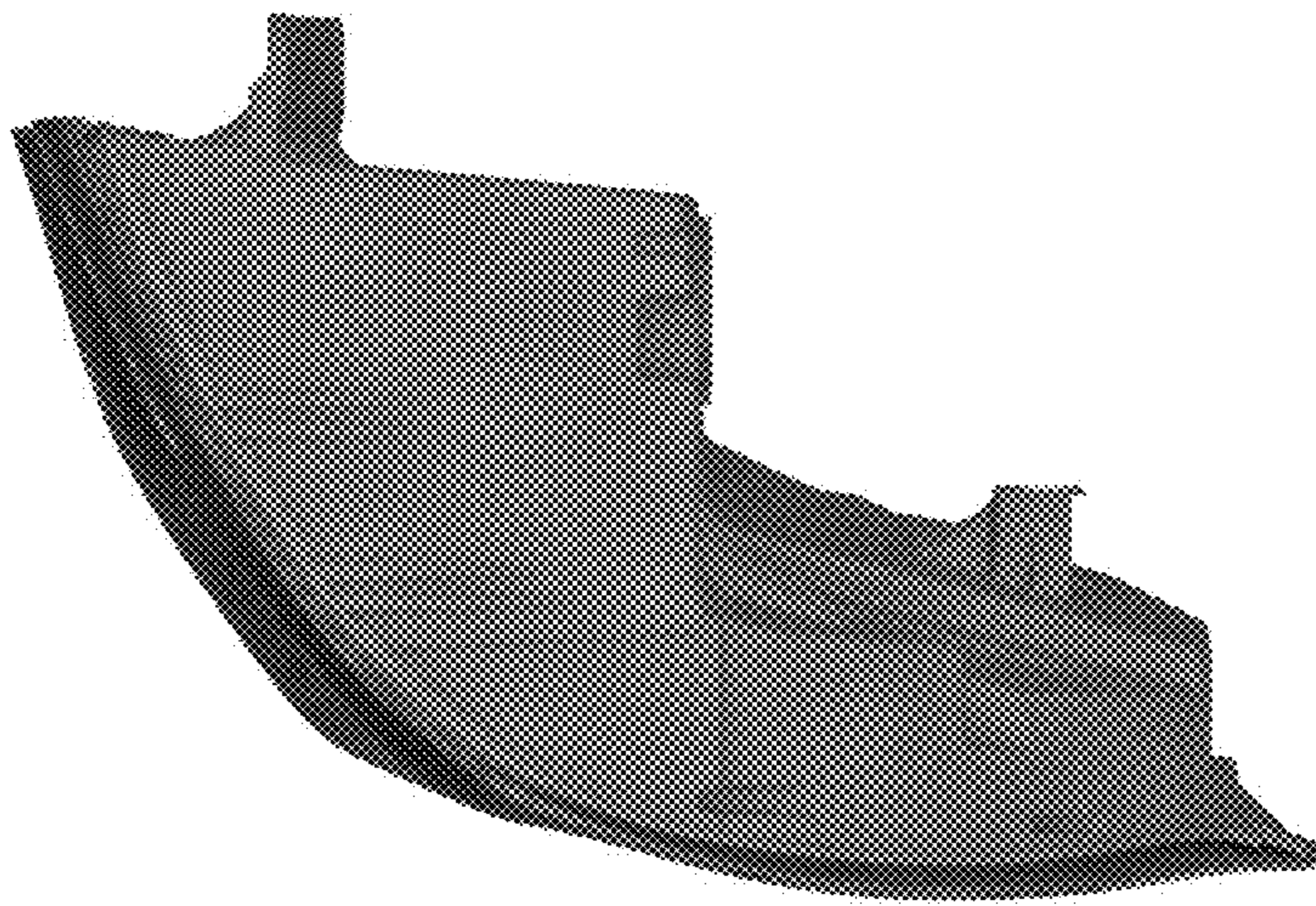


Fig. 7

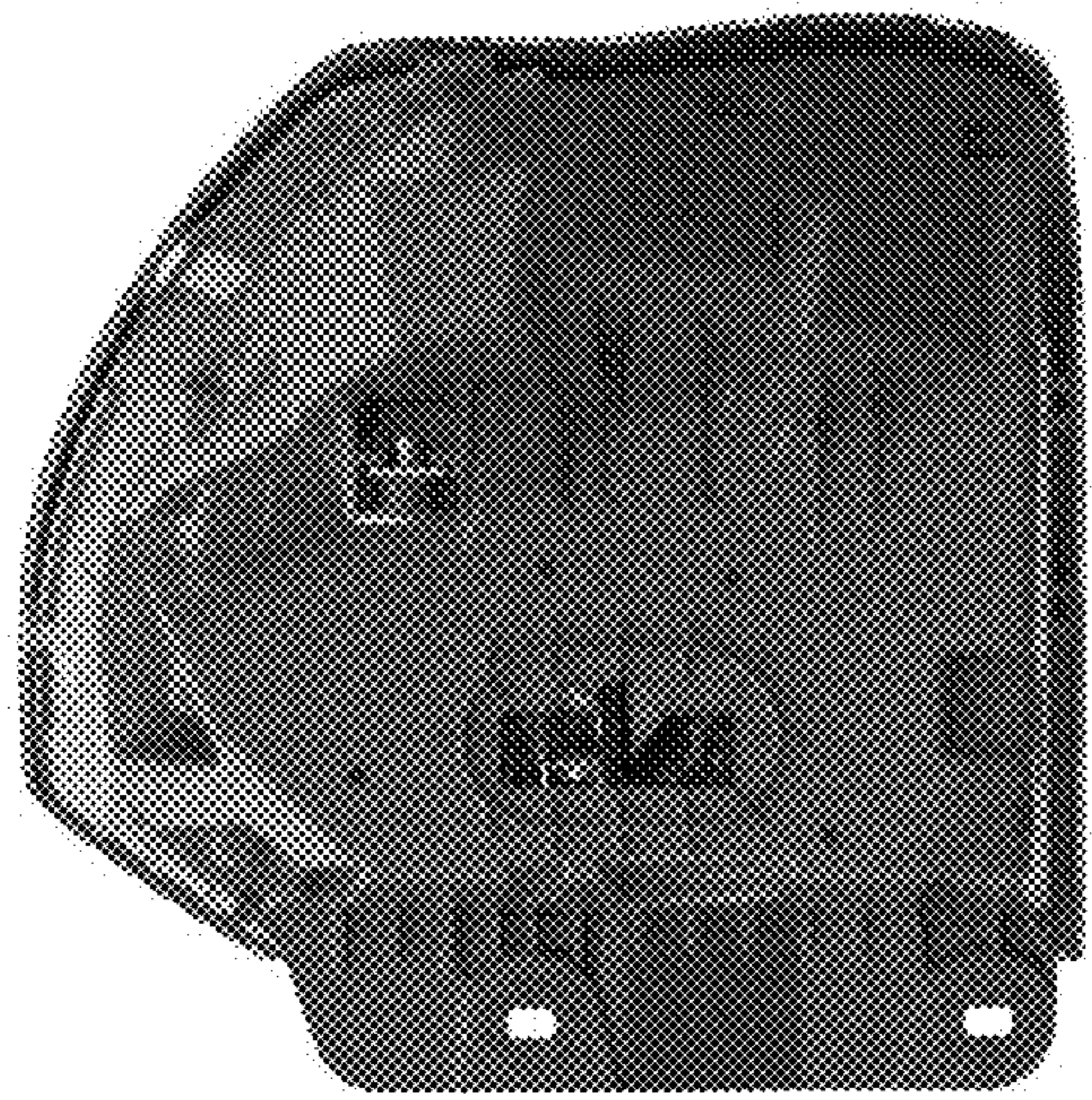


Fig. 8