



US00D979810S

(12) **United States Design Patent**
Jeong et al.

(10) **Patent No.:** **US D979,810 S**

(45) **Date of Patent:** **** Feb. 28, 2023**

(54) **HEAD LAMP FOR AUTOMOBILE**

(71) Applicants: **Hyundai Motor Company**, Seoul (KR); **Kia Corporation**, Seoul (KR)

(72) Inventors: **Da Young Jeong**, Gyeonggi-do (KR); **Byoung Suk Ahn**, Gyeonggi-do (KR); **Bradley Arnold**, Superior Township, MI (US)

(73) Assignees: **Hyundai Motor Company**, Seoul (KR); **Kia Corporation**, Seoul (KR)

(**) Term: **15 Years**

(21) Appl. No.: **29/779,333**

(22) Filed: **Apr. 19, 2021**

(51) **LOC (14) Cl.** **26-06**

(52) **U.S. Cl.**
USPC **D26/28**

(58) **Field of Classification Search**
USPC D26/28, 29, 30, 31, 32, 33, 34, 35, 36
CPC F21W 2103/35; F21W 2103/40; F21W 2102/17; F21W 2102/30; F21W 2103/00; F21W 2103/55; F21W 2104/00; F21W 2107/17; F21W 2107/13; F21S 41/00; F21S 41/141; F21S 41/162; F21S 41/18; F21S 41/20; F21S 41/33; F21S 41/36; F21S 41/60; F21S 43/00; F21V 21/04
See application file for complete search history.

(56) **References Cited**

U.S. PATENT DOCUMENTS

D604,874 S * 11/2009 Golden D26/28
D665,112 S * 8/2012 Yamada D26/28

D868,323 S * 11/2019 Kim D26/28
D868,324 S * 11/2019 Kim D26/28
D889,008 S * 6/2020 Lim D26/28
D919,854 S * 5/2021 Kaoud D26/28
D928,359 S * 8/2021 Luo D26/28
D942,655 S * 2/2022 Meyer D26/28
D943,125 S * 2/2022 Meyer D26/28
D948,760 S * 4/2022 Jeong D26/28
D948,761 S * 4/2022 Jeong D26/28

* cited by examiner

Primary Examiner — Angela J Lee

(74) *Attorney, Agent, or Firm* — Fox Rothschild LLP

(57) **CLAIM**

The ornamental design for a head lamp for automobile, as shown and described.

DESCRIPTION

FIG. 1 is a perspective view of a head lamp for automobile according to the present invention.
FIG. 2 is a front view of the head lamp for automobile of FIG. 1.
FIG. 3 is a rear view of the head lamp for automobile of FIG. 1.
FIG. 4 is a left side view of the head lamp for automobile of FIG. 1.
FIG. 5 is a right side view of the head lamp for automobile of FIG. 1.
FIG. 6 is a top view of the head lamp for automobile of FIG. 1; and,
FIG. 7 is a bottom view of the head lamp for automobile of FIG. 1.

1 Claim, 7 Drawing Sheets

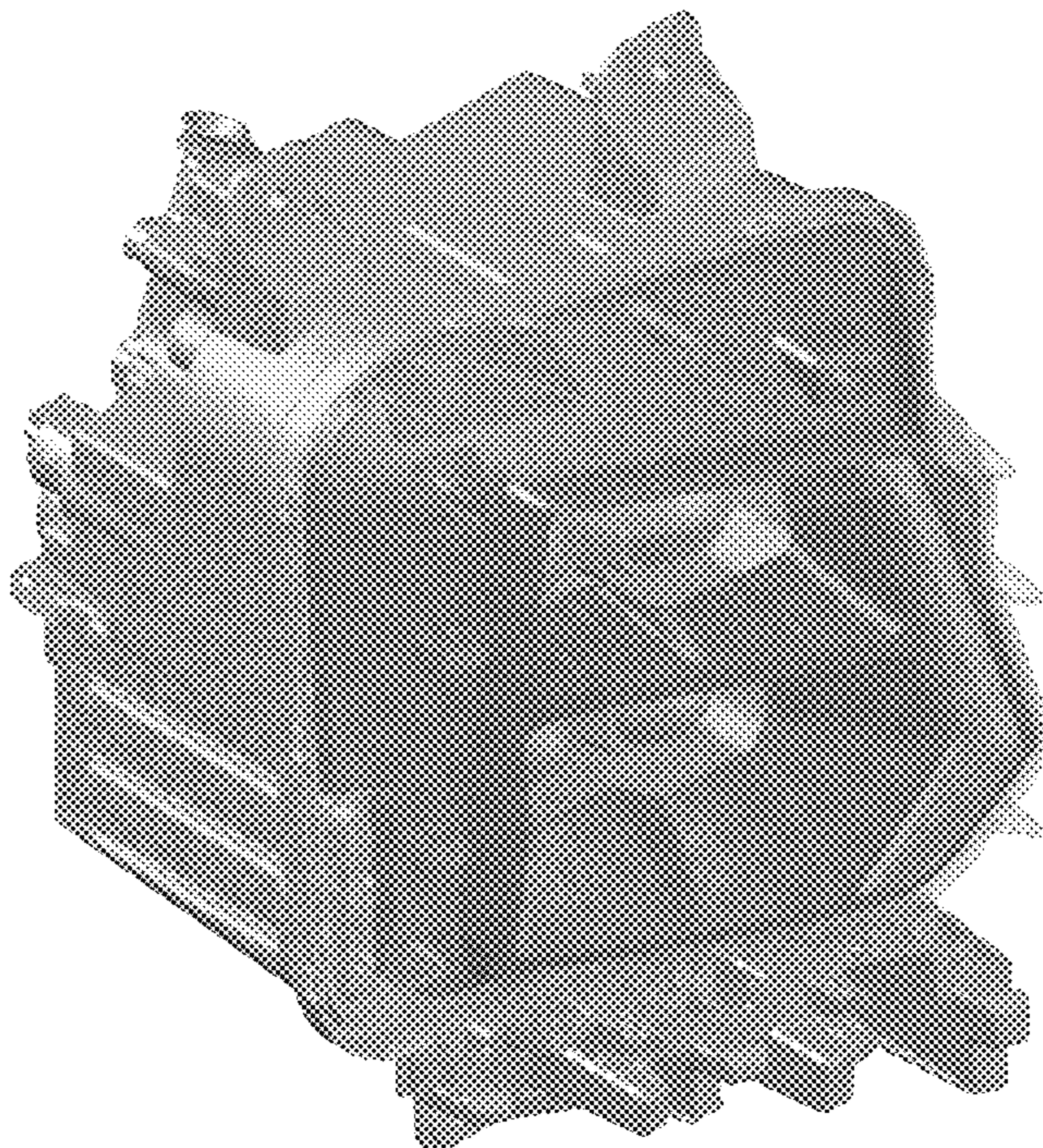


FIG. 1

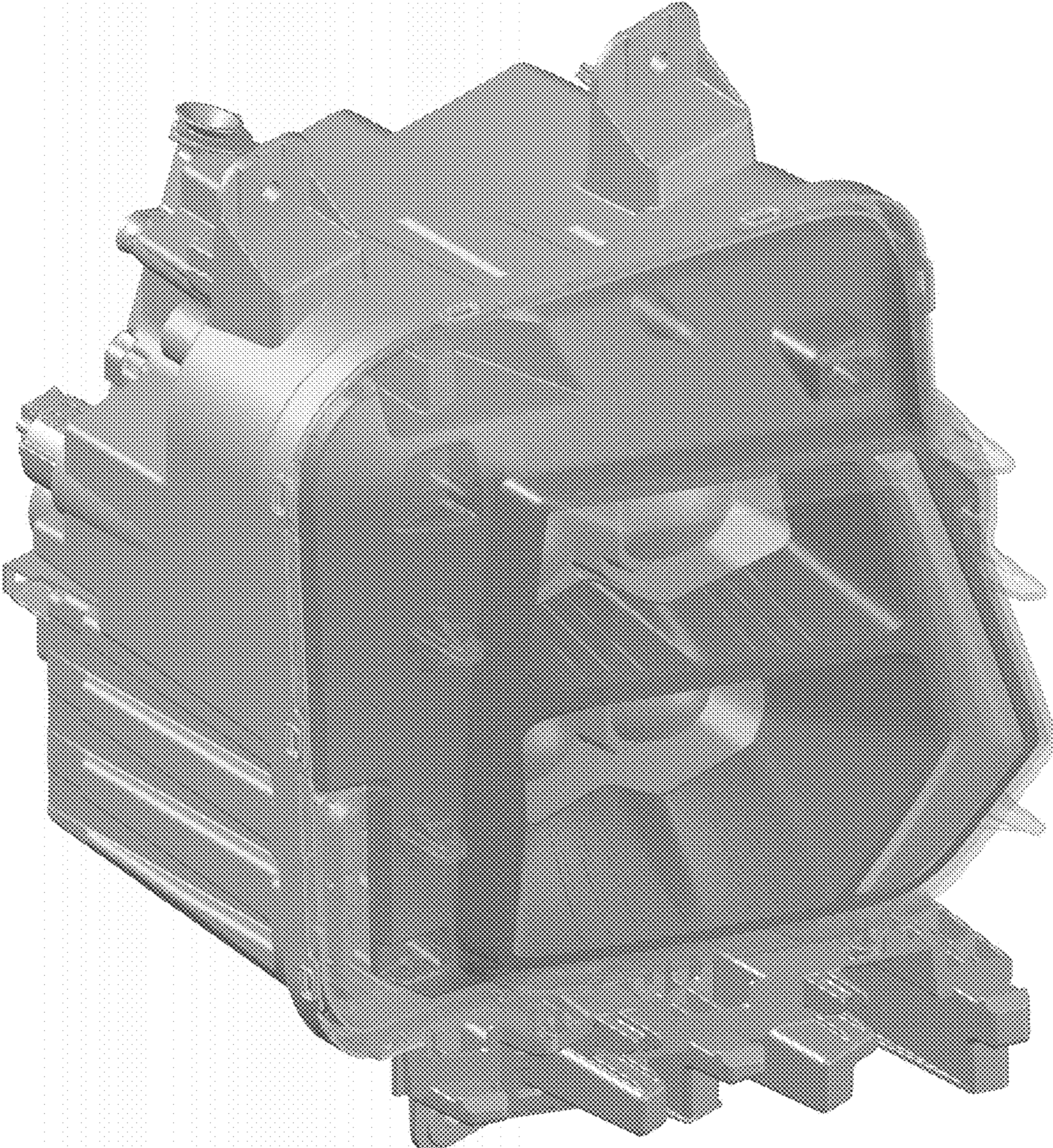


FIG. 2

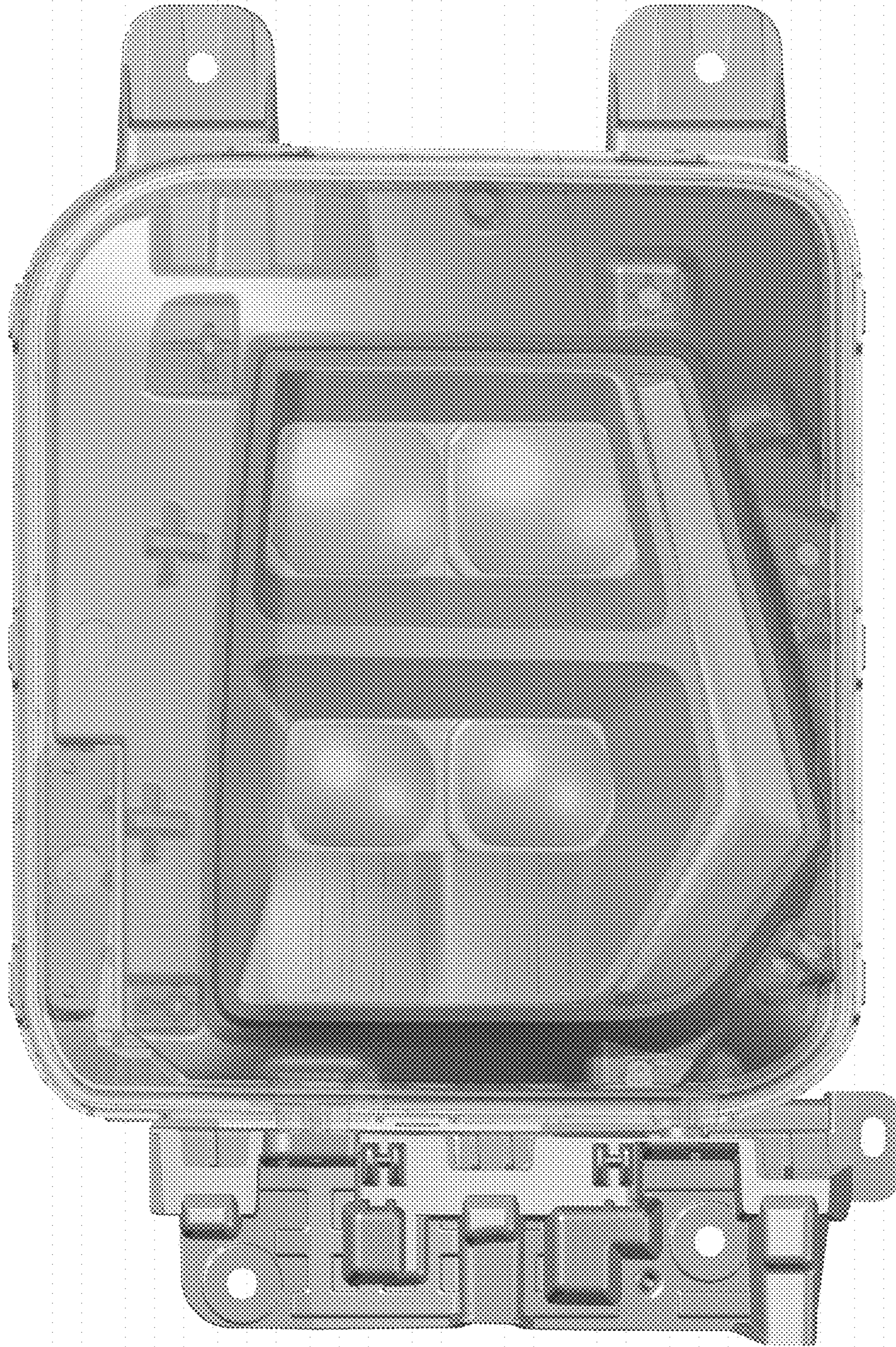


FIG. 3

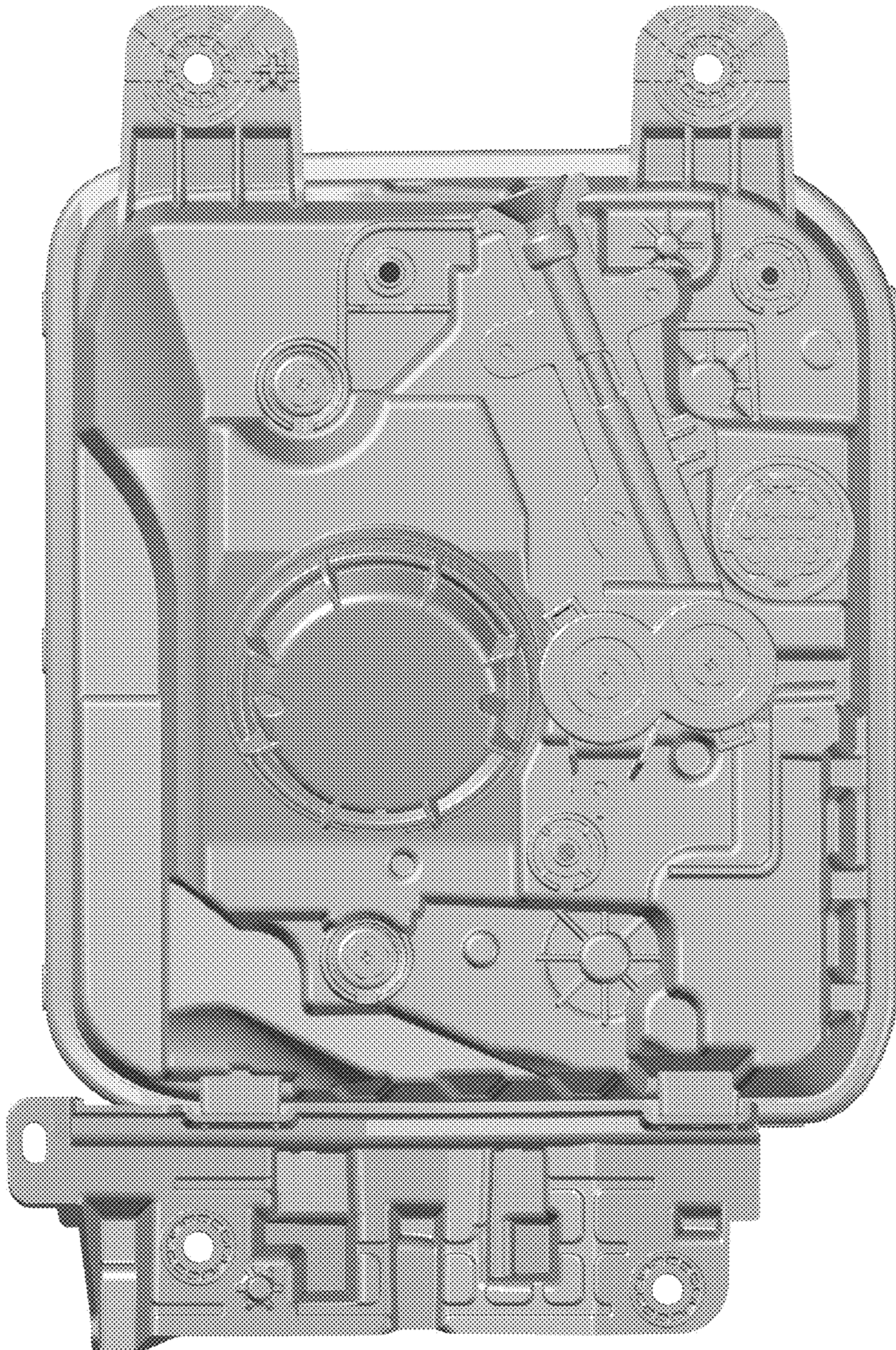


FIG. 4

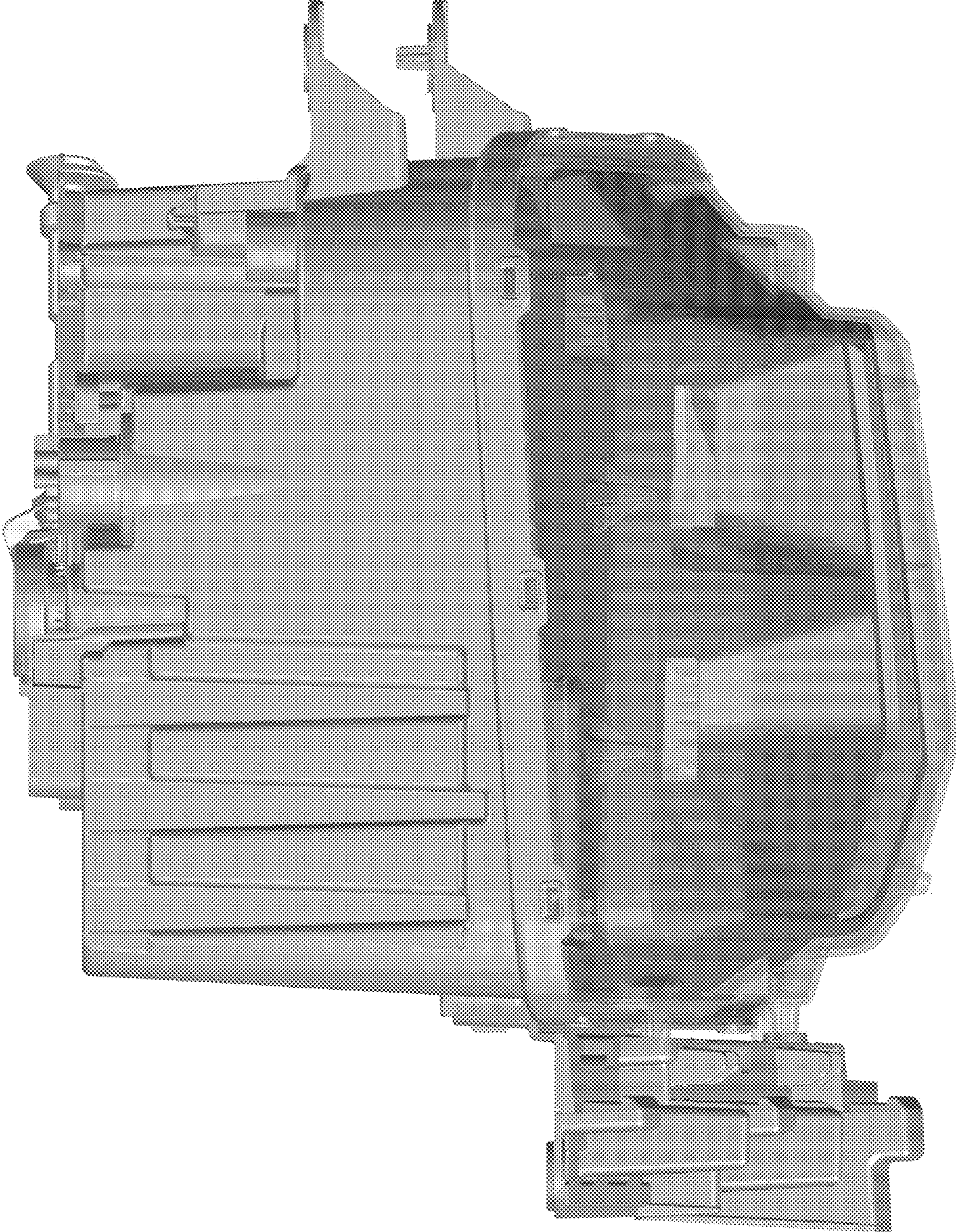


FIG. 5

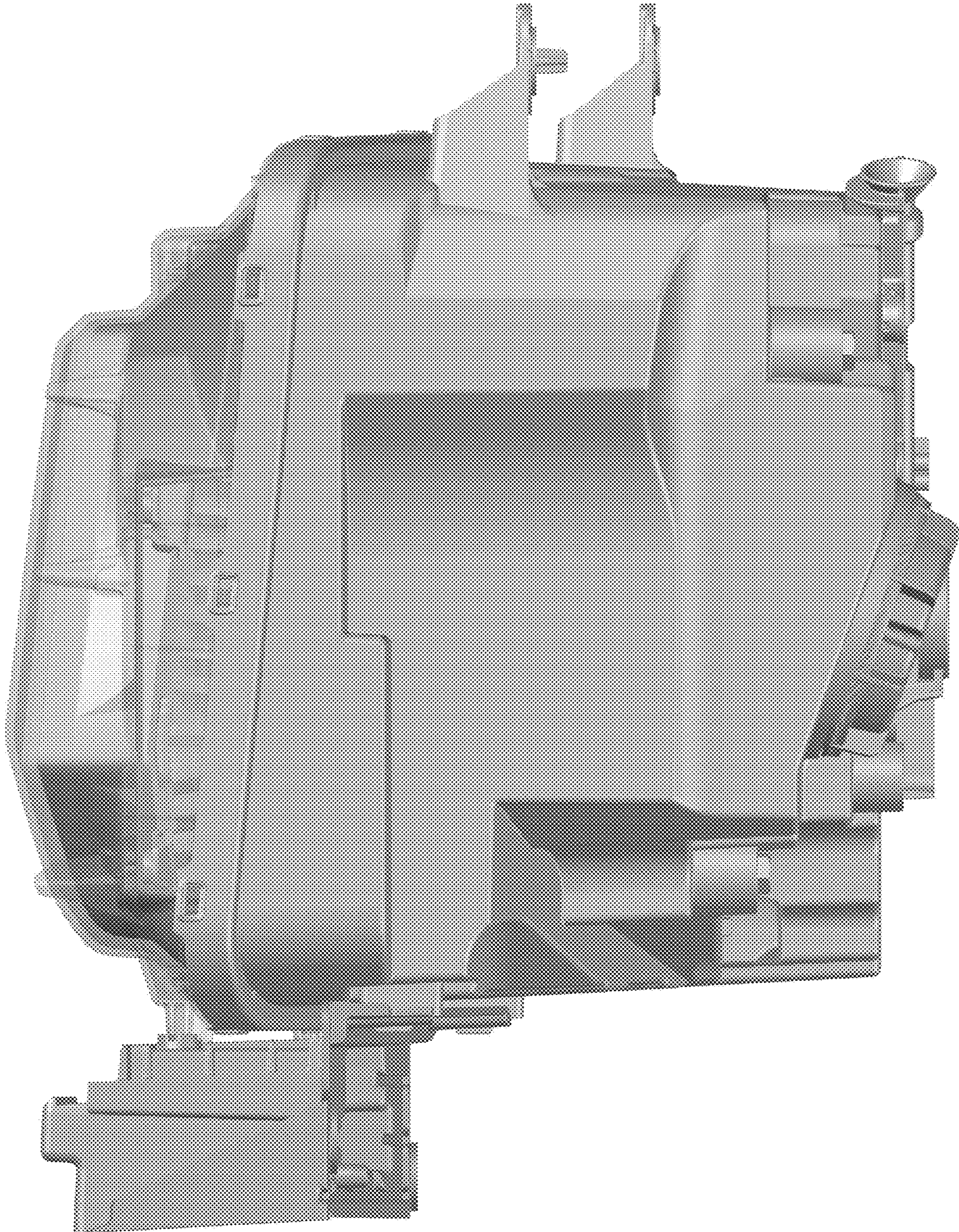


FIG. 6

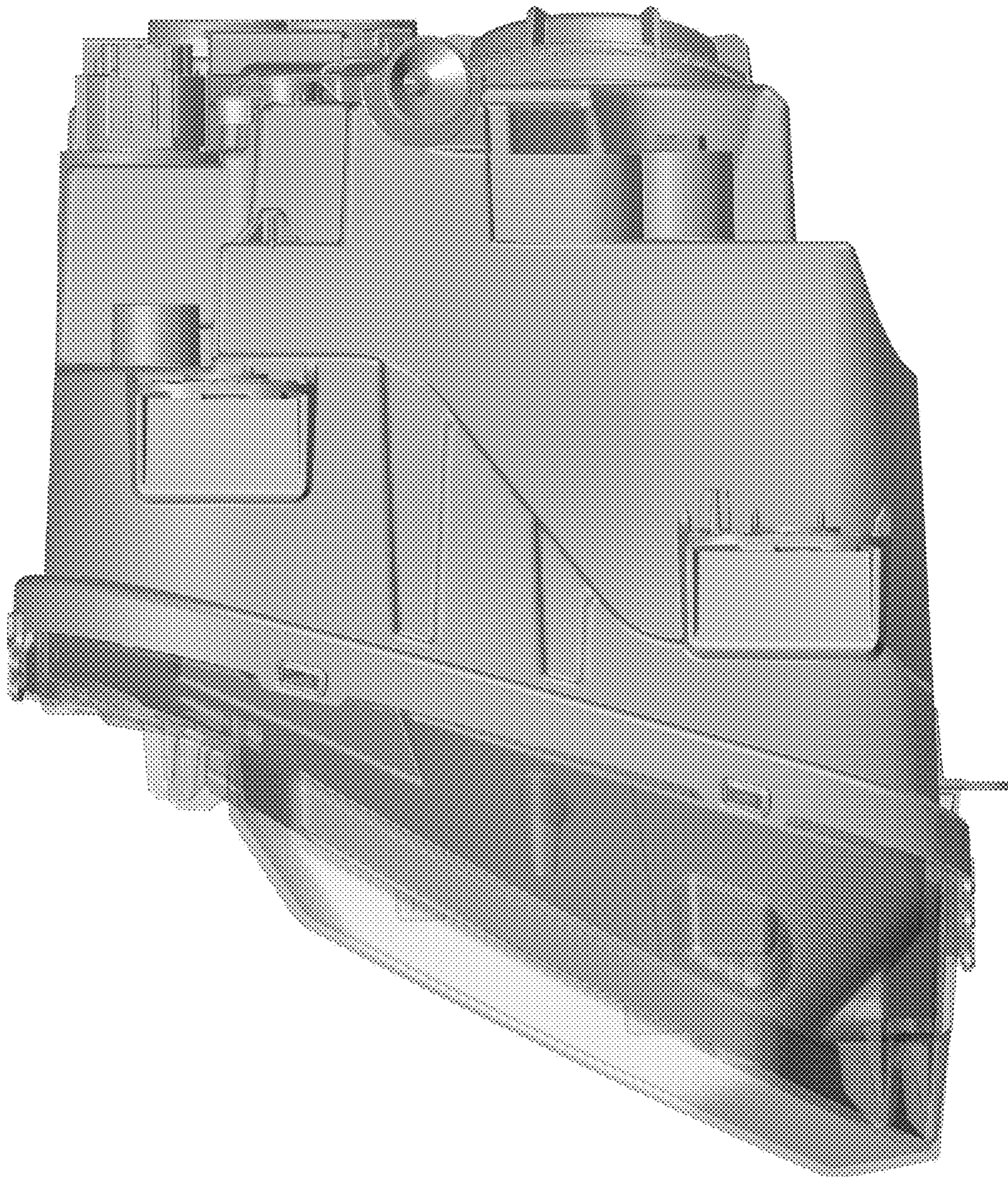


FIG. 7

