



US00D979808S

(12) **United States Design Patent** (10) **Patent No.:** **US D979,808 S**  
**Thaler** (45) **Date of Patent:** **\*\* Feb. 28, 2023**

(54) **VEHICLE LIGHTING MODULE**

(71) Applicant: **ZKW Group GmbH**, Wieselburg (AT)

(72) Inventor: **Andreas Thaler**, Linz (AT)

(73) Assignee: **ZKW Group GmbH**

(\*\*) Term: **15 Years**

(21) Appl. No.: **29/758,767**

(22) Filed: **Nov. 18, 2020**

(30) **Foreign Application Priority Data**

Sep. 16, 2020 (EM) ..... 008171052-0001

Sep. 16, 2020 (EM) ..... 008171052-0002

(51) **LOC (14) Cl.** ..... **26-06**

(52) **U.S. Cl.**  
USPC ..... **D26/28; D26/2**

(58) **Field of Classification Search**  
USPC ..... D26/28-36, 138, 2  
CPC ..... F21V 21/02; F21V 23/06; F21V 21/08;  
F21V 21/04; F21S 8/003; B60Q 9/00;  
G02B 27/30

See application file for complete search history.

(56) **References Cited**

**U.S. PATENT DOCUMENTS**

D626,668 S *	11/2010	Grebert	.....	D26/28
D722,399 S *	2/2015	Dubosc	.....	D26/28
D724,244 S *	3/2015	Hayez	.....	D26/28
10,480,739 B2 *	11/2019	Danner	.....	G02B 27/30
D882,833 S *	4/2020	Wu	.....	D26/28
D882,834 S *	4/2020	Wu	.....	D26/28
D886,338 S *	6/2020	Wu	.....	D26/28
D886,339 S *	6/2020	Wu	.....	D26/28

(Continued)

**FOREIGN PATENT DOCUMENTS**

CN	303721499	*	6/2016
CN	304075763	*	3/2017
CN	304954203	*	12/2018

(Continued)

**OTHER PUBLICATIONS**

StripeZ, available in zkw-group.com, announced Year 2019 [online], [site visited May 11, 2022], Internet URL: <https://zkw-group.com/home/produkte-und-innovationen/unsere-produkte/stripez/> (Year: 2019).\*

*Primary Examiner* — Brett Miller

*Assistant Examiner* — Jasmine L. Comedy

(74) *Attorney, Agent, or Firm* — Design IP

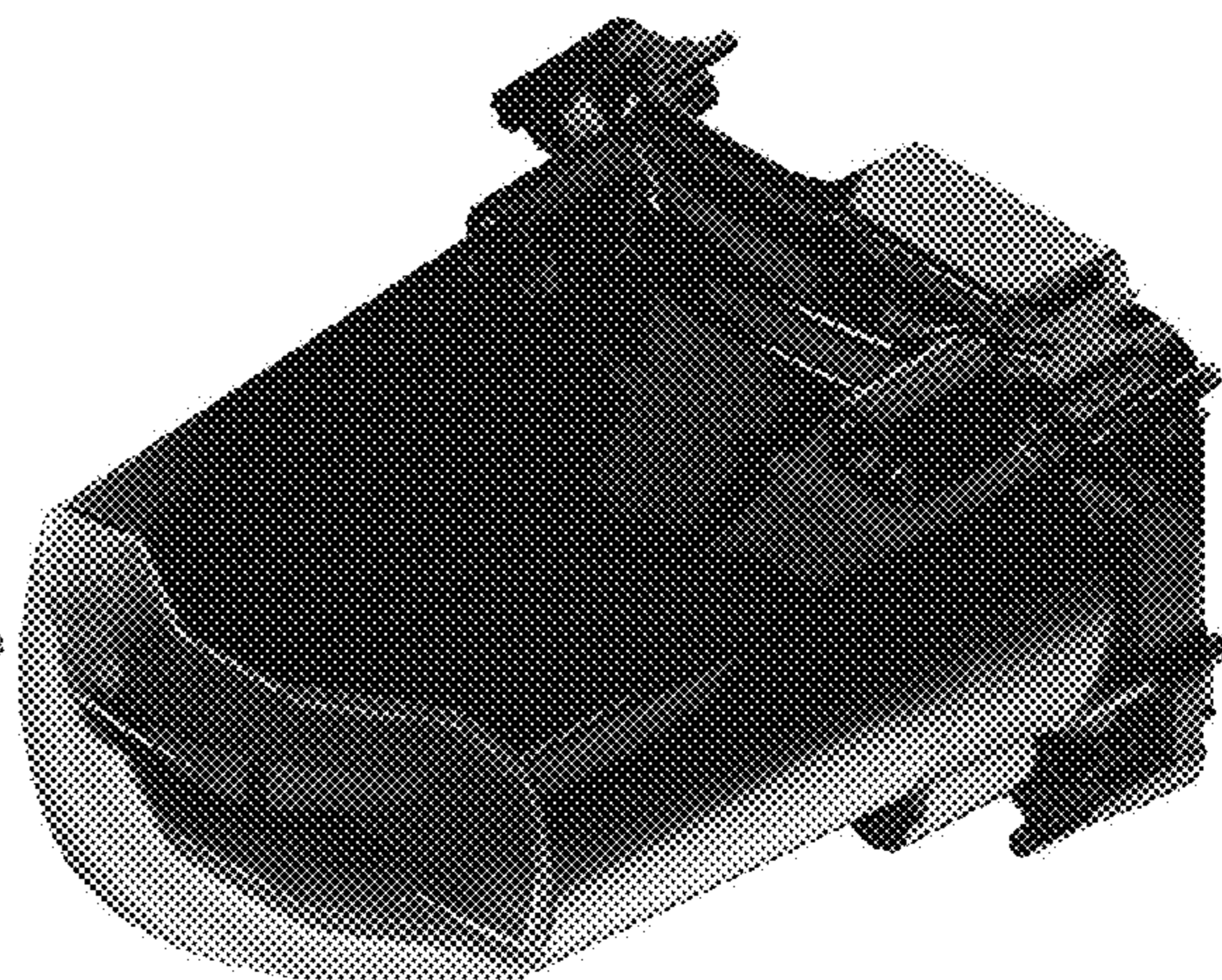
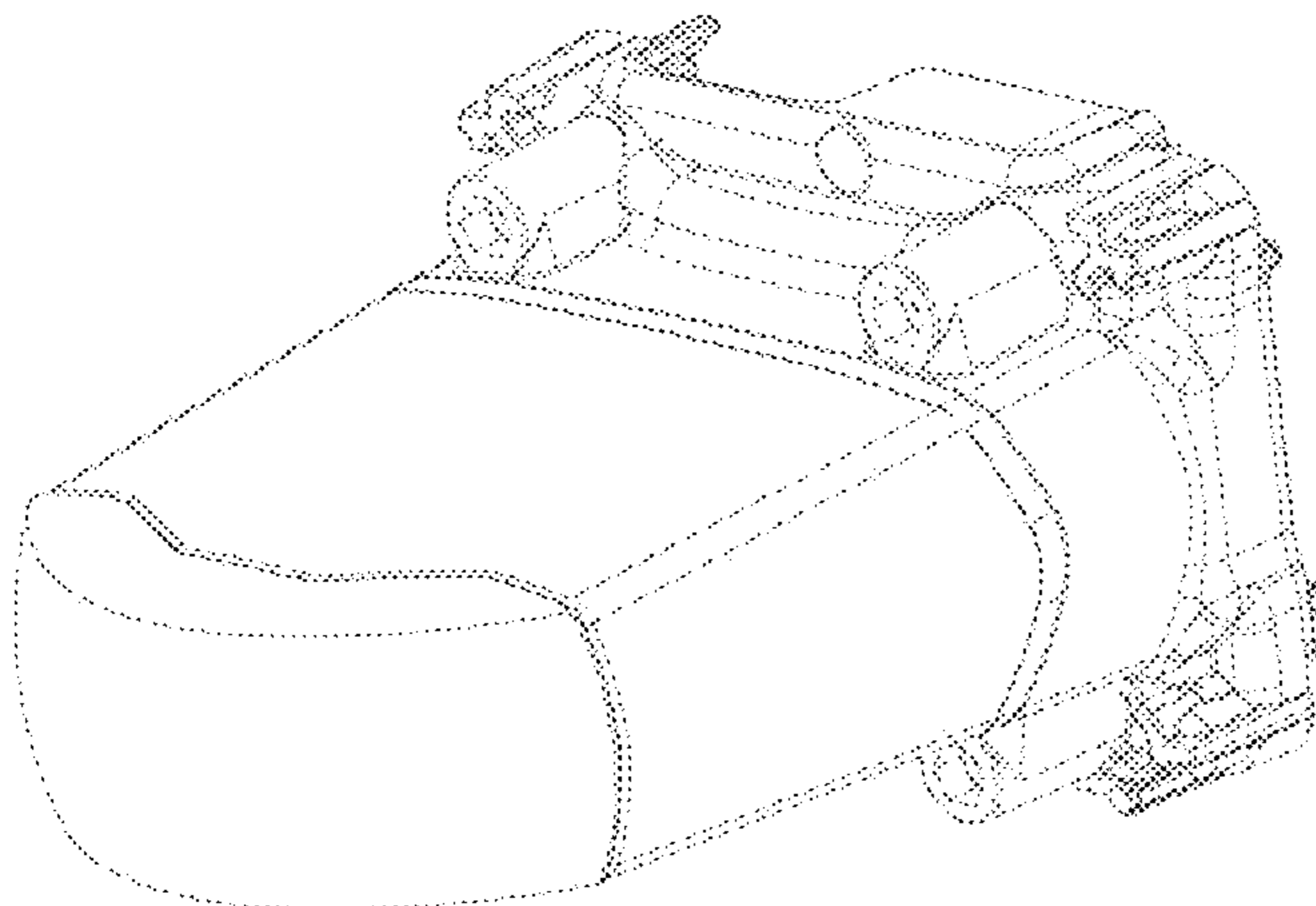
(57) **CLAIM**

The ornamental design for a vehicle lighting module, as shown and described.

**DESCRIPTION**

FIG. 1 is a front perspective view of a first embodiment of a vehicle lighting module showing my new design; FIG. 2 is a front view thereof; FIG. 3 is a top view thereof; FIG. 4 is a bottom view thereof; FIG. 5 is a left side view thereof; FIG. 6 is a right side view thereof; FIG. 7 is a front perspective view of a second embodiment of a vehicle lighting module showing my new design; FIG. 8 is a front view thereof; FIG. 9 is a top view thereof; FIG. 10 is bottom view thereof; FIG. 11 a left side view thereof; and, FIG. 12 is a right side view thereof. FIGS. 7 through 12 include grayscale shading. Neither the color nor the relative brightness of the grayscale surface shading forms any part of the claimed design. The rear view is omitted and forms no part of the claimed design.

**1 Claim, 12 Drawing Sheets**



(56)

**References Cited**

U.S. PATENT DOCUMENTS

D886,340 S \* 6/2020 Wu ..... D26/28  
D886,341 S \* 6/2020 Wu ..... D26/28

FOREIGN PATENT DOCUMENTS

CN 305179664 \* 5/2019  
CN 305599486 \* 2/2020

\* cited by examiner

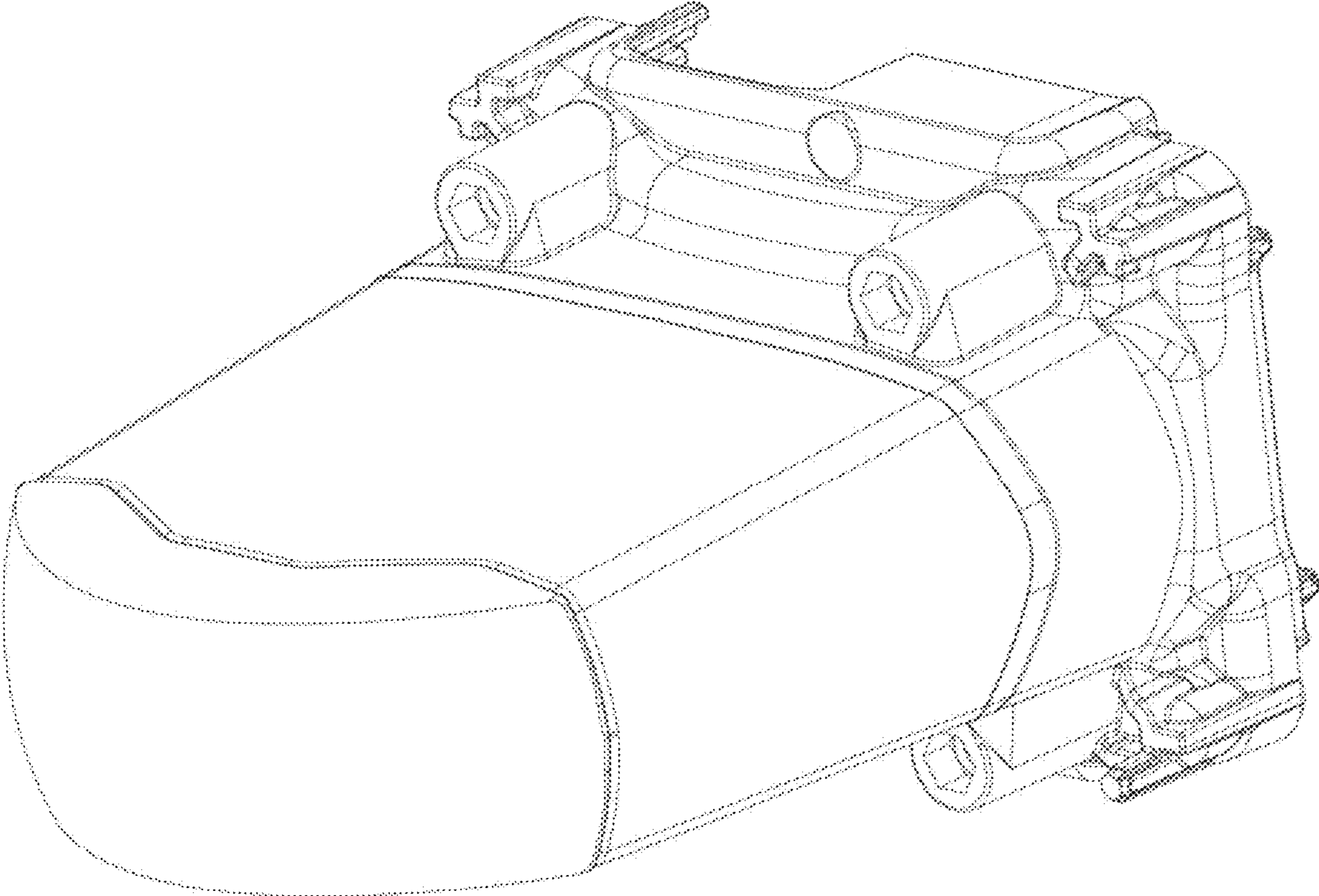


FIG. 1

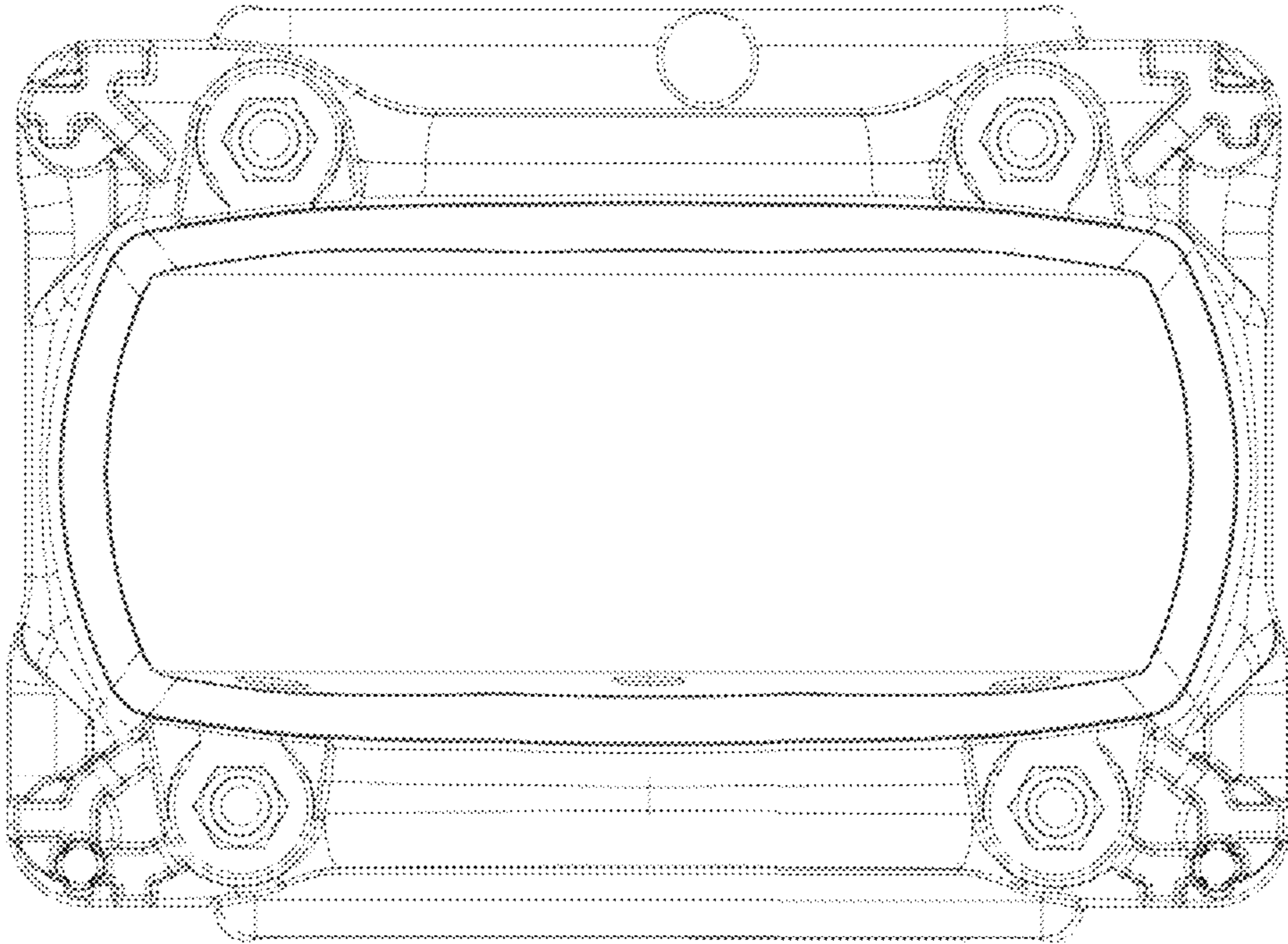


FIG. 2

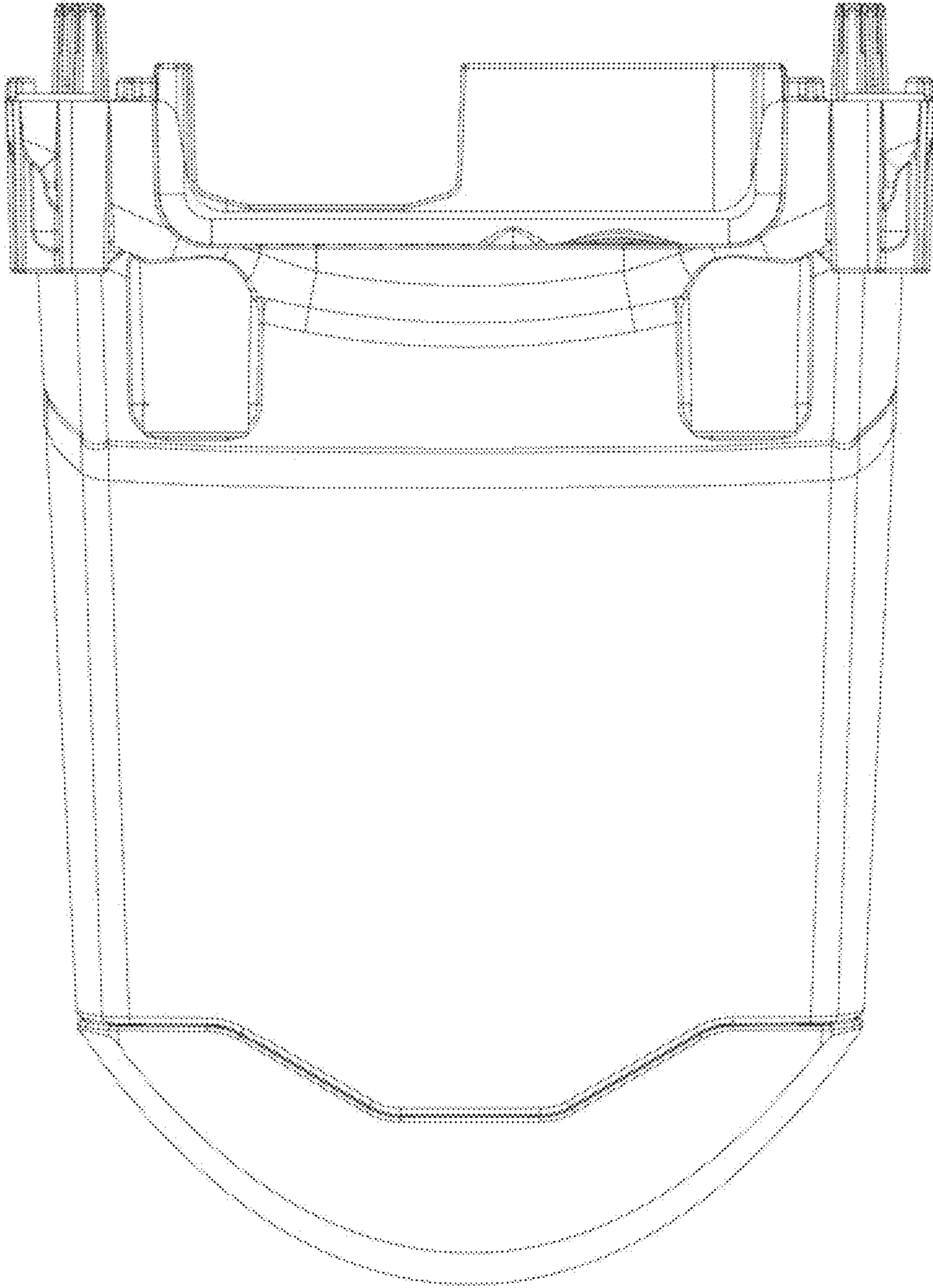


FIG. 3

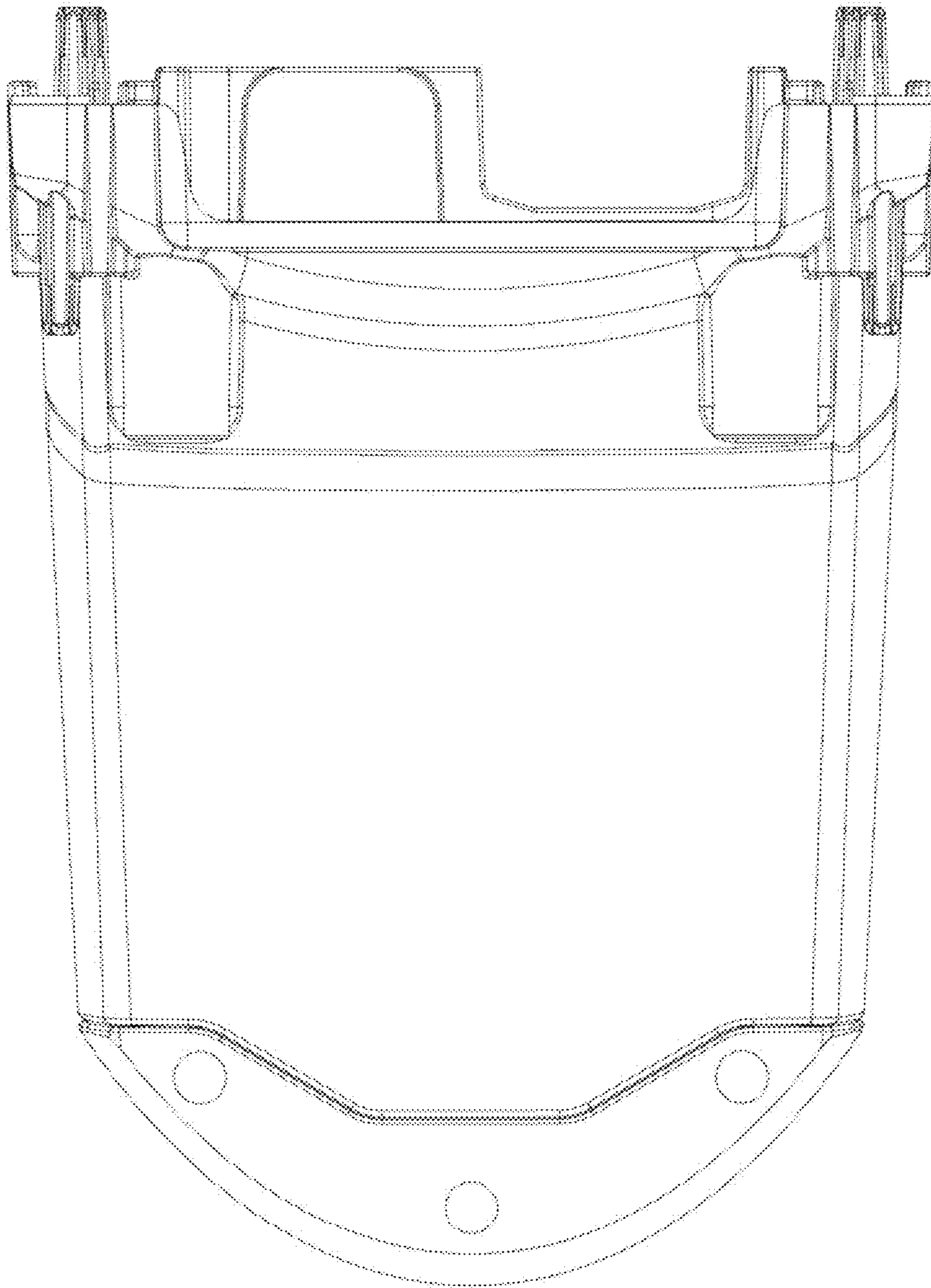


FIG. 4

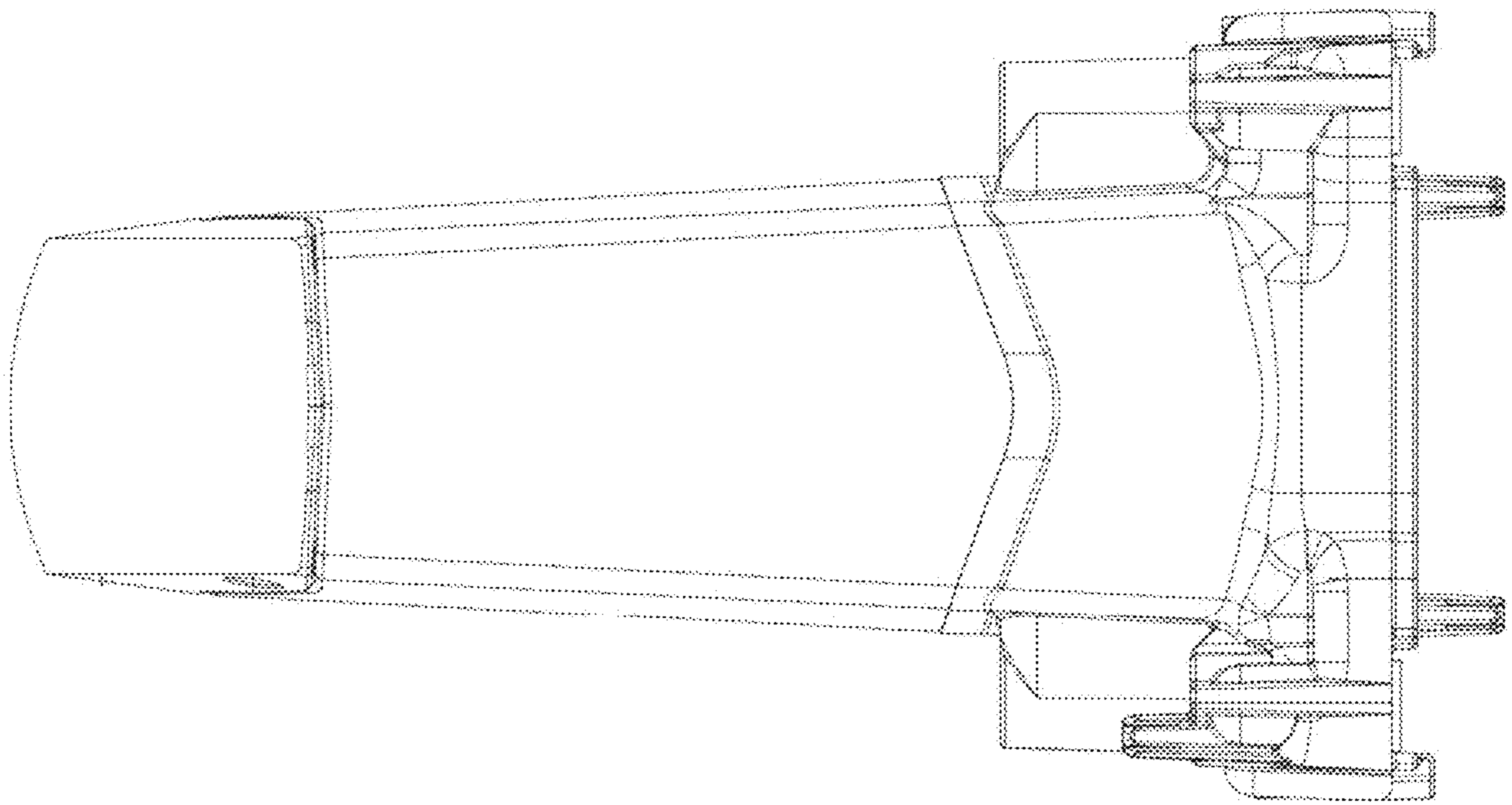


FIG. 5

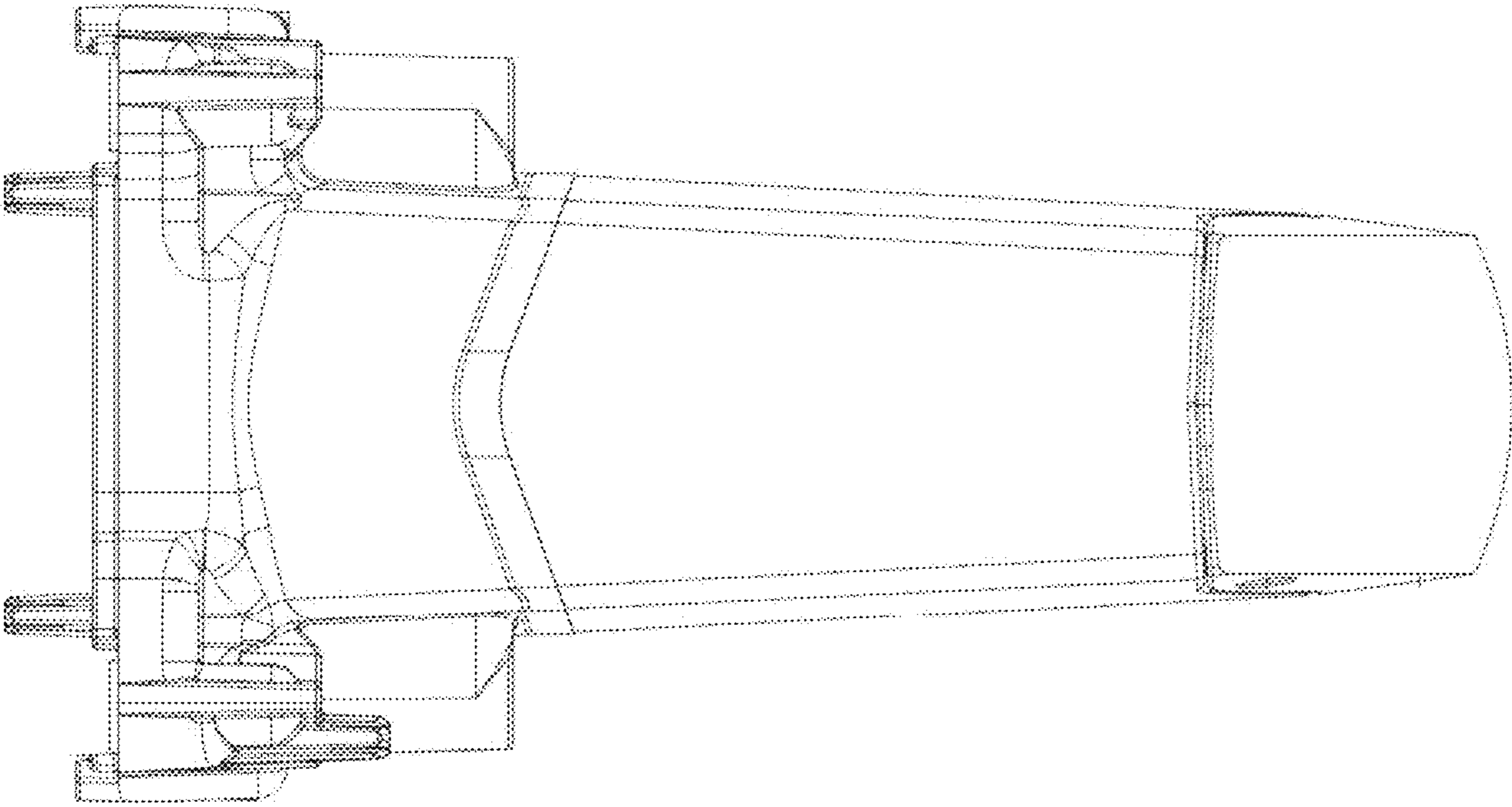


FIG. 6



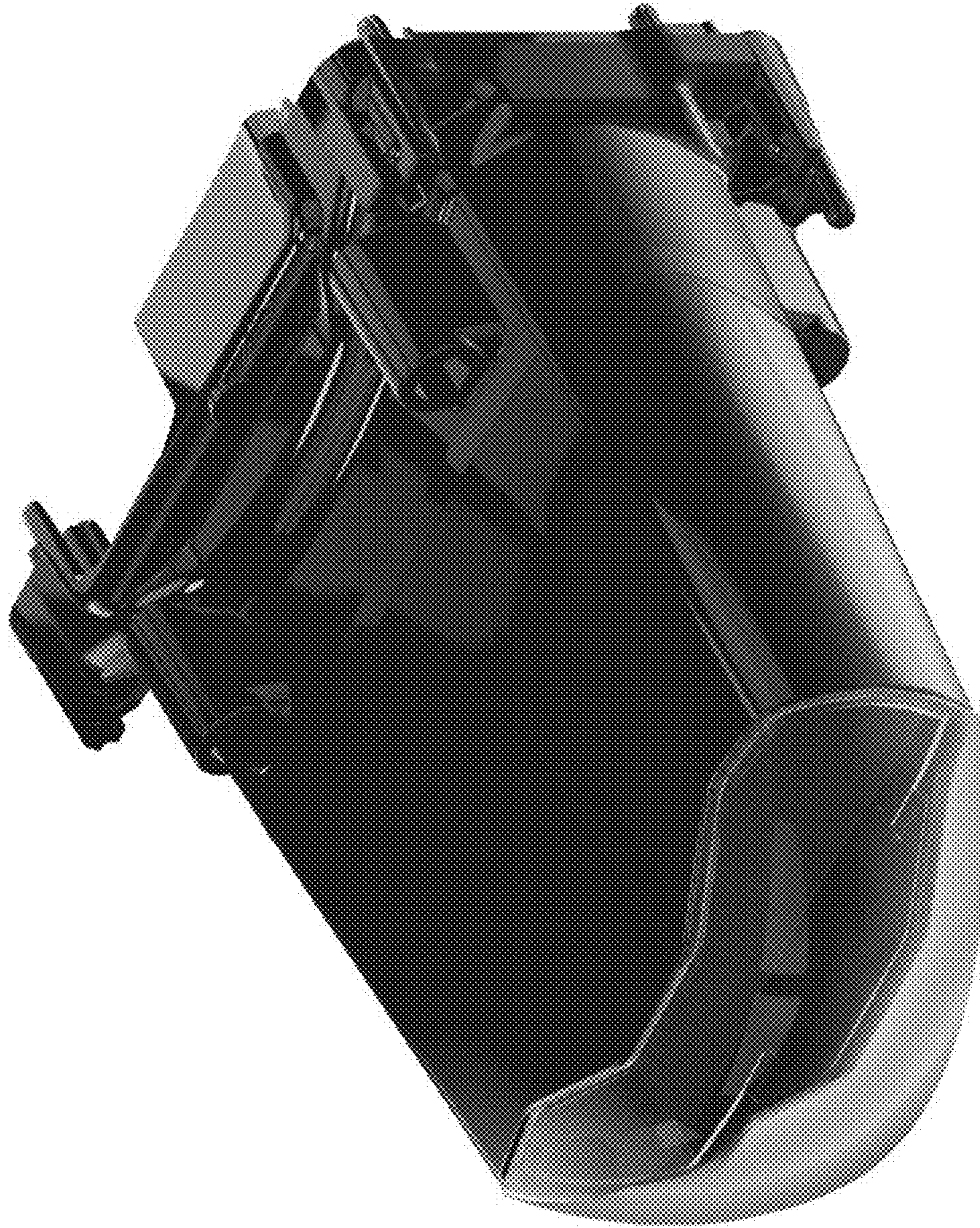


FIG. 7

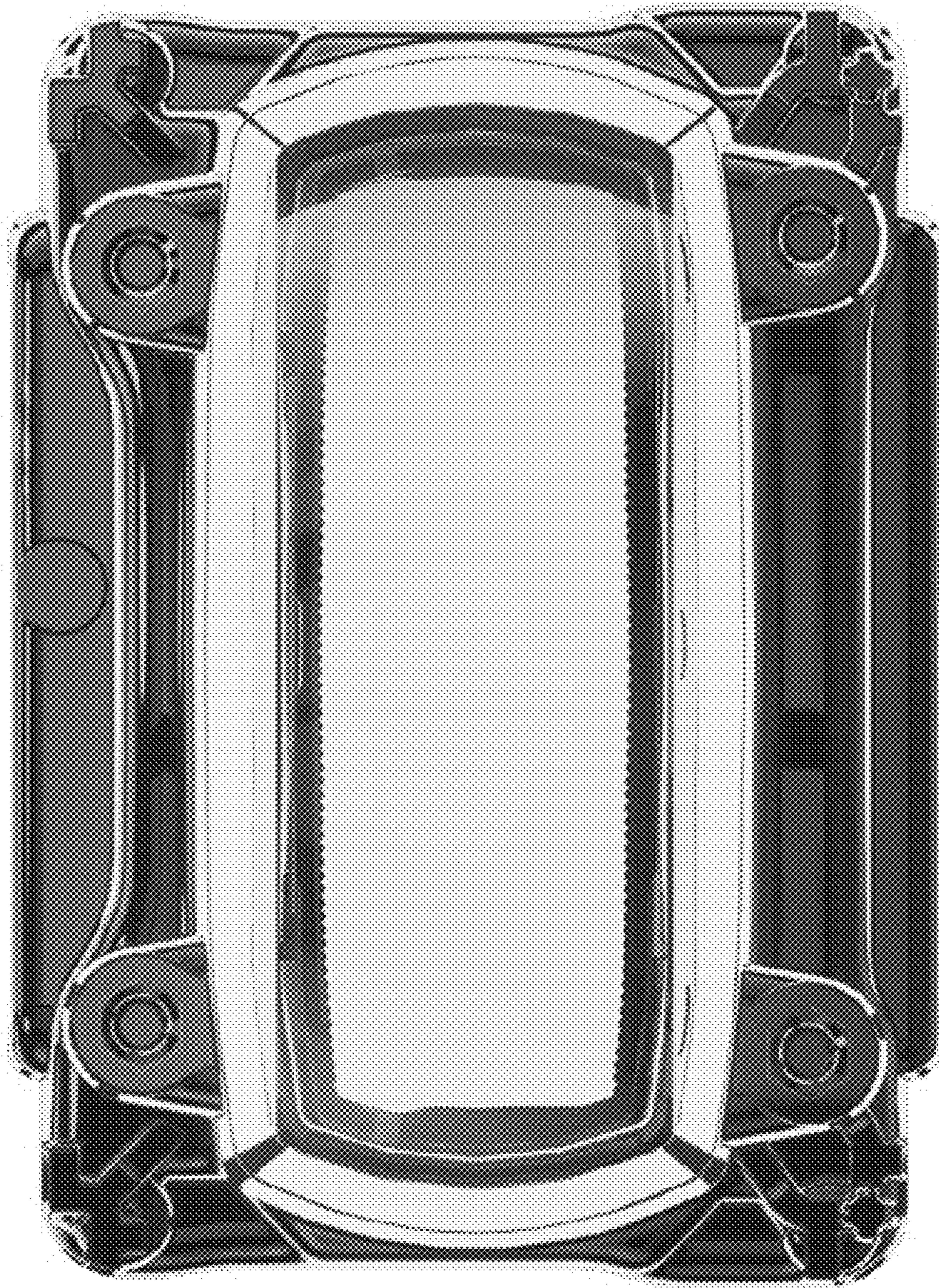


FIG. 8



FIG. 9



FIG. 10

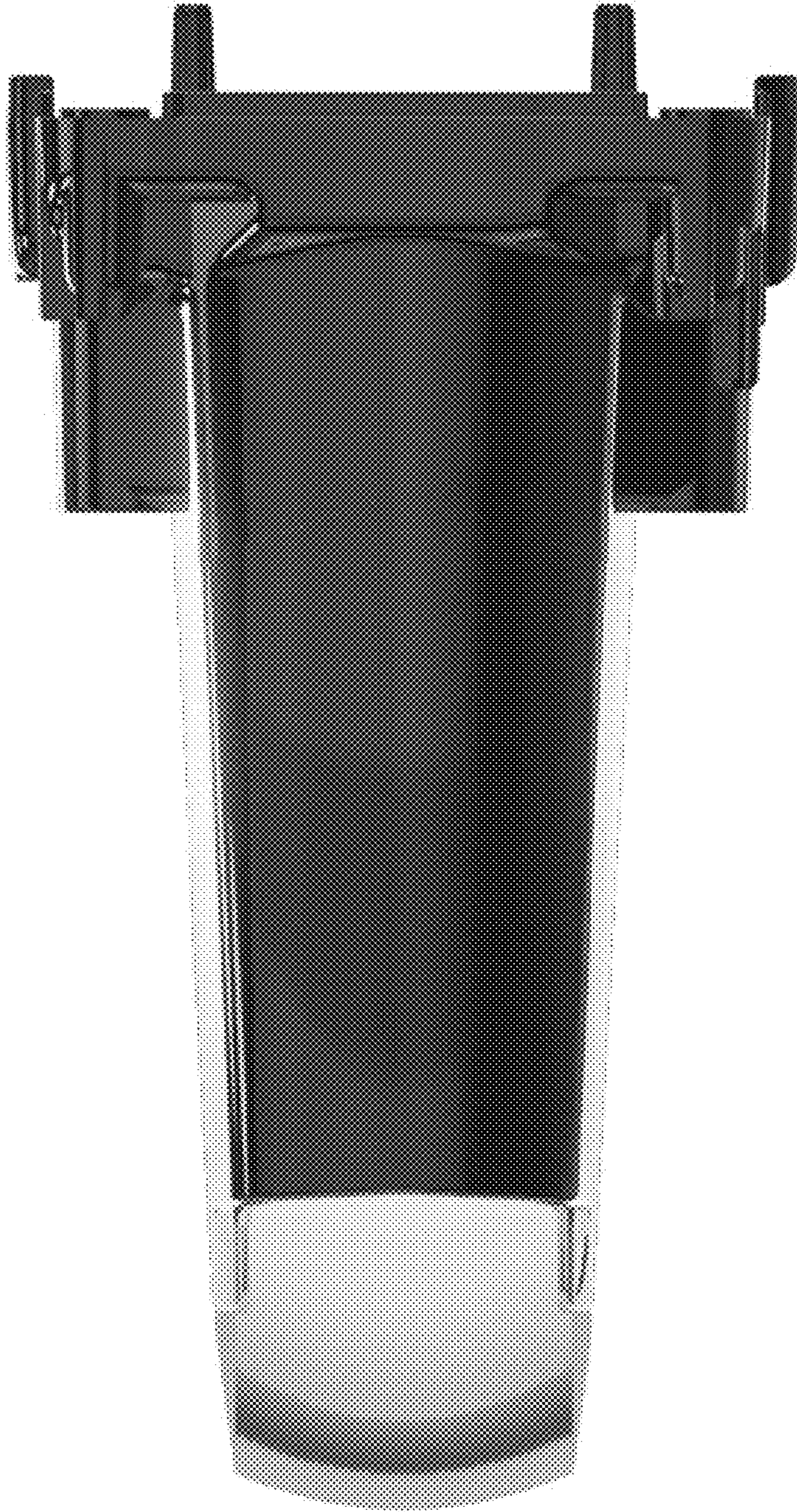


FIG. 11

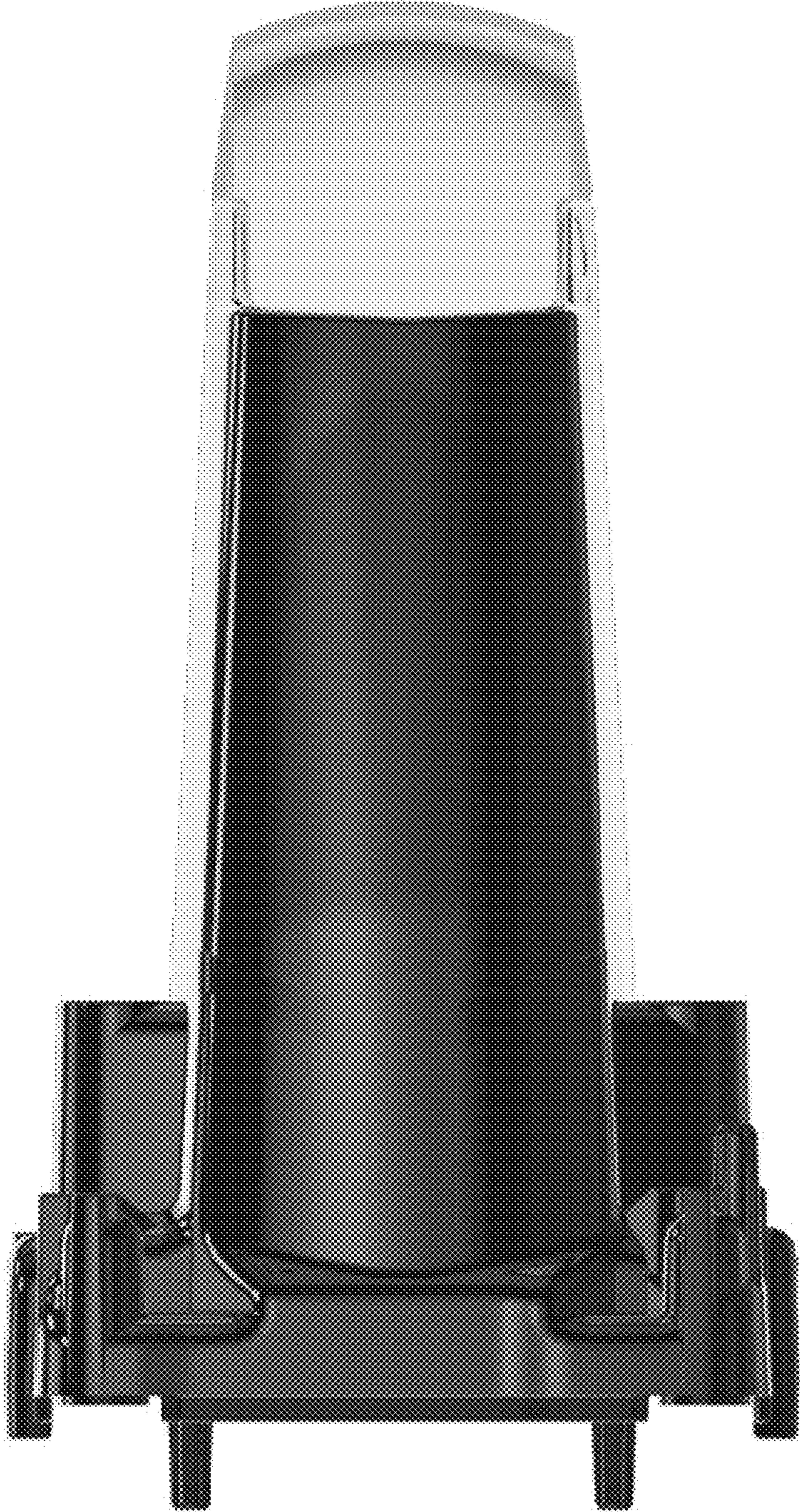


FIG. 12