



US00D979804S

(12) **United States Design Patent**
Chen

(10) **Patent No.:** **US D979,804 S**

(45) **Date of Patent:** **** Feb. 28, 2023**

(54) **PANEL LIGHT**

FOREIGN PATENT DOCUMENTS

(71) Applicant: **Heshan Pace Technology Co., Ltd.**,
Heshan (CN)

CN 303908083 * 11/2016
CN 304195538 * 7/2017
CN 305015200 * 2/2018

(72) Inventor: **Qiusheng Chen**, Heshan (CN)

(73) Assignee: **HESHAN PACE TECHNOLOGY CO., LTD.**, Guangdong Province (CN)

OTHER PUBLICATIONS

(**) Term: **15 Years**

“Auvon” reference by Auvon Inc. on Amazon.com, date first available Jan. 4, 2019 [online], site visited Apr. 14, 2022, available from internet URL: <https://www.amazon.com/AUVON-Rechargeable-Adjustable-Brightness-Cabinet/dp/B07MHVTHQS> (Year: 2019).*

(21) Appl. No.: **29/766,279**

(Continued)

(22) Filed: **Jan. 14, 2021**

Primary Examiner — Marissa J Cash

(30) **Foreign Application Priority Data**

Assistant Examiner — Liv C Anderson

Aug. 19, 2020 (CN) 202030477238.X

(74) *Attorney, Agent, or Firm* — Ware, Fressola, Maguire & Barber LLP

(51) **LOC (14) Cl.** **26-03**

(52) **U.S. Cl.**
USPC **D26/24**

(57) **CLAIM**

(58) **Field of Classification Search**
USPC D26/1, 2, 24, 51, 52, 60, 72, 74, 85, 93,
D26/104, 106

The ornamental design for a panel light, as shown and described.

CPC F21S 6/00; F21S 8/00; F21S 8/02; F21S 8/03; F21S 8/035; F21S 8/04; F21S 8/06; F21S 8/061; F21S 8/063; F21S 10/00; F21K 9/00

DESCRIPTION

See application file for complete search history.

FIG. 1 is a front perspective view of a panel light of the present disclosure;

FIG. 2 is a rear perspective view thereof;

FIG. 3 is a front elevational view thereof;

FIG. 4 is a rear elevational view thereof;

FIG. 5 is a left-side elevational view thereof;

FIG. 6 is a right-side elevational view thereof;

FIG. 7 is a top plan view thereof; and,

FIG. 8 is a bottom plan view thereof.

The shade lines shown in the drawings indicate the character and contour of surfaces represented and should not be confused with surface ornamentation.

The broken lines shown in the drawings depict portions of the panel light that form no part of the claimed design.

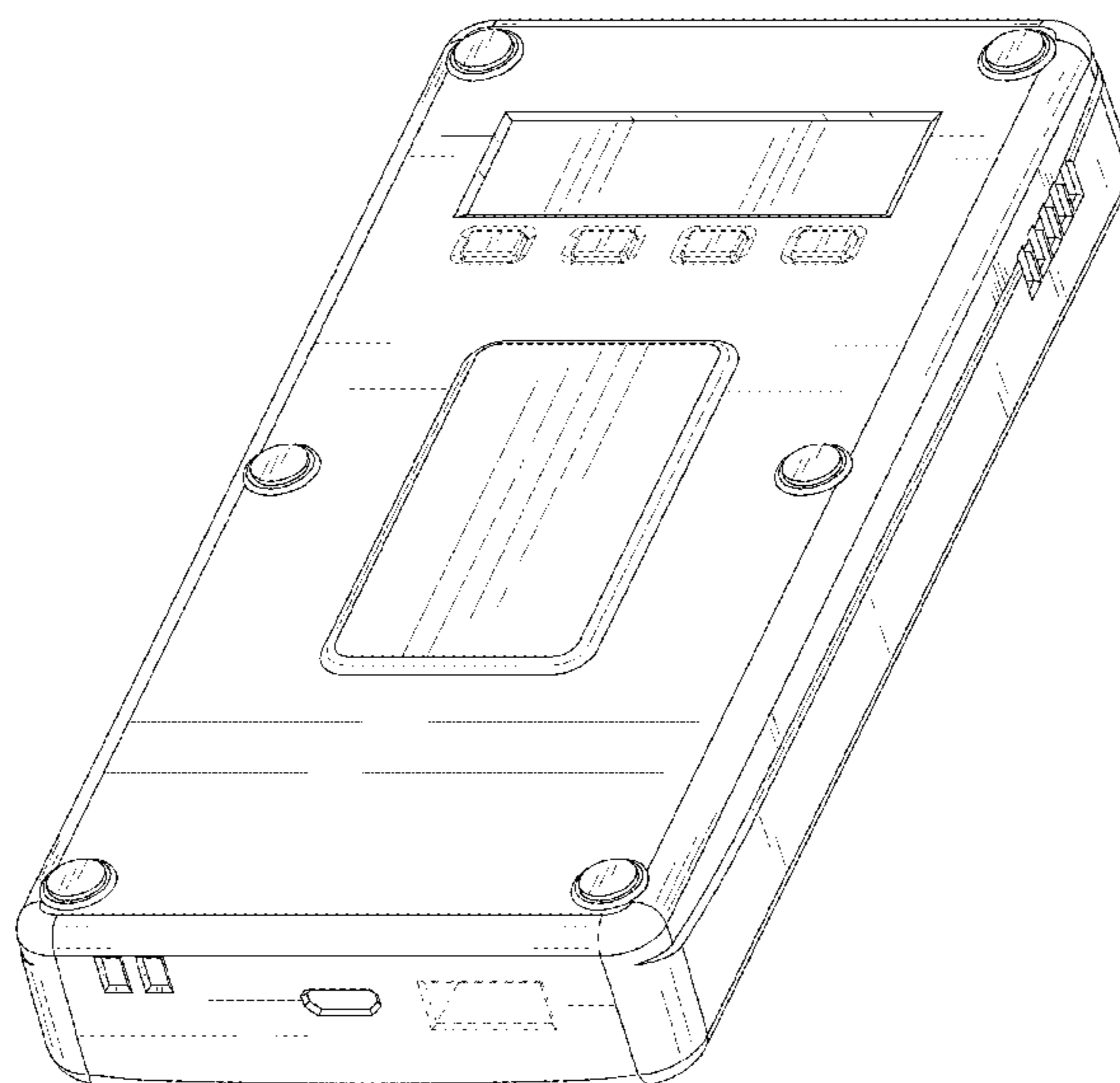
(56) **References Cited**

U.S. PATENT DOCUMENTS

D564,928 S * 3/2008 Belitz D10/114.4
D592,930 S * 5/2009 Cai D26/38
D595,875 S * 7/2009 Irvine D26/37
D604,871 S * 11/2009 Denton D26/24
D633,237 S * 2/2011 Wang D26/26
D647,193 S * 10/2011 Kim D23/366
D688,148 S * 8/2013 Ten Wolde D10/114.2
D707,677 S * 6/2014 Azuma D14/307
D722,718 S * 2/2015 Chen D26/72

(Continued)

1 Claim, 8 Drawing Sheets



(56)

References Cited

U.S. PATENT DOCUMENTS

D732,728	S	*	6/2015	Rischau	D26/113
D788,331	S	*	5/2017	Beghelli	D26/24
D819,244	S	*	5/2018	Wojan	D26/37
D824,559	S	*	7/2018	Ljunggren	D26/63
D842,518	S	*	3/2019	Griffin	D26/51
D851,789	S	*	6/2019	Johnson	D26/24
D864,429	S	*	10/2019	Zhang	D26/26
D905,299	S	*	12/2020	Zhang	D26/26
D928,978	S	*	8/2021	Ye	D26/93
D945,659	S	*	3/2022	James	D26/39
D952,218	S	*	5/2022	Qiu	D26/26

OTHER PUBLICATIONS

“Dimmable” reference by DORESshop on Amazon.com, date first available Apr. 3, 2019 [online], site visited Apr. 14, 2022, available from internet URL: <https://www.amazon.com/Dimmable-DORESshop-Adjustable-Brightness-Daylight/dp/B07QB28Y5X> (Year: 2019).*

“Mr.” reference by Amazon.com, date first available Jul. 7, 2014 [online], site visited Apr. 14, 2022, available from internet URL: <https://www.amazon.com/dp/B00LLIXJO4> (Year: 2014).*

“Motion” reference by Priorare Store on Amazon.com, date first available May 11, 2020 [online], site visited Apr. 14, 2022, available from internet URL: <https://www.amazon.com/Cabinet-Lighting-Rechargeable-Magnetic-Homelife/dp/B086PT23FZ> (Year: 2020).*

* cited by examiner

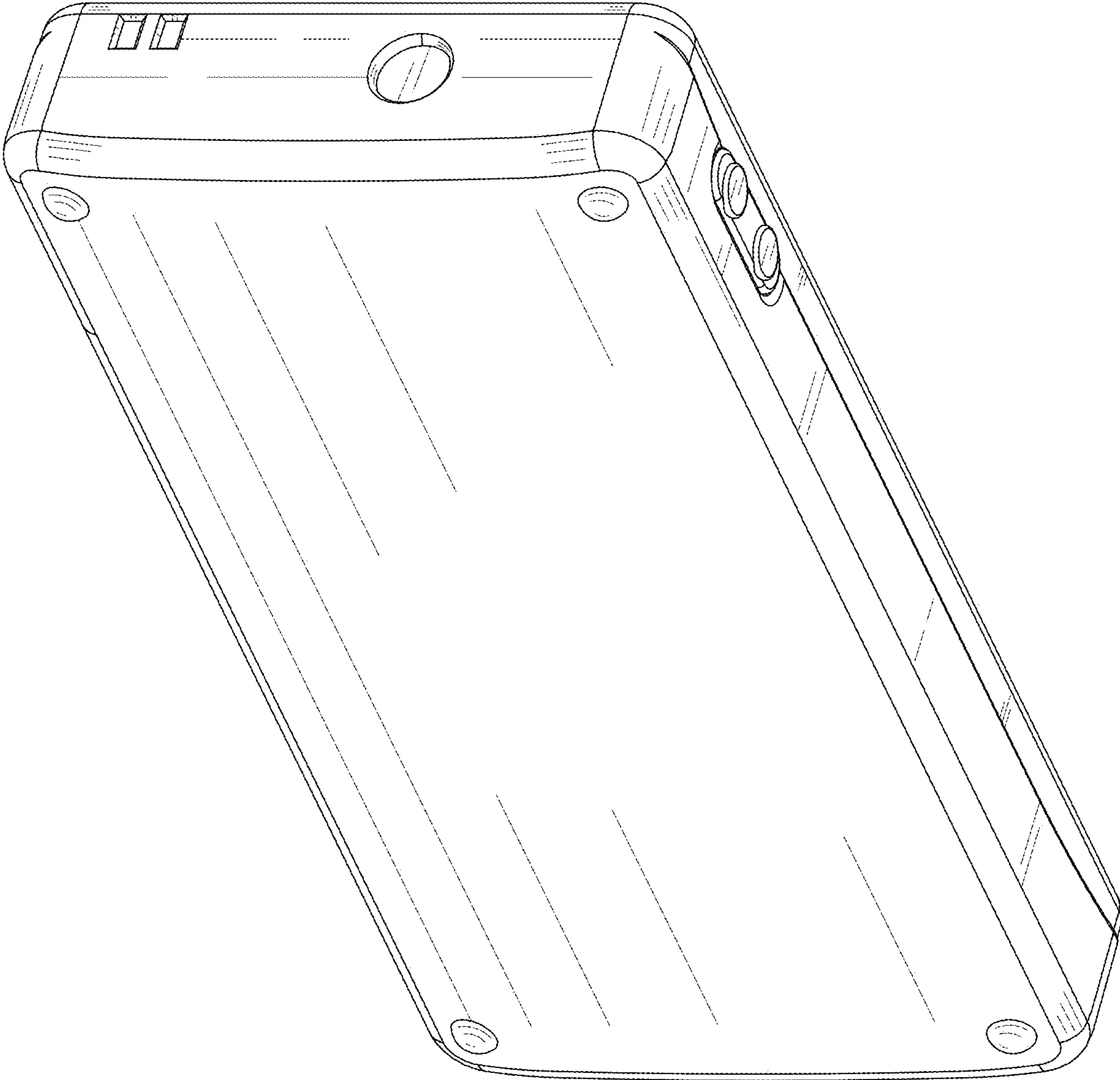


FIG. 1

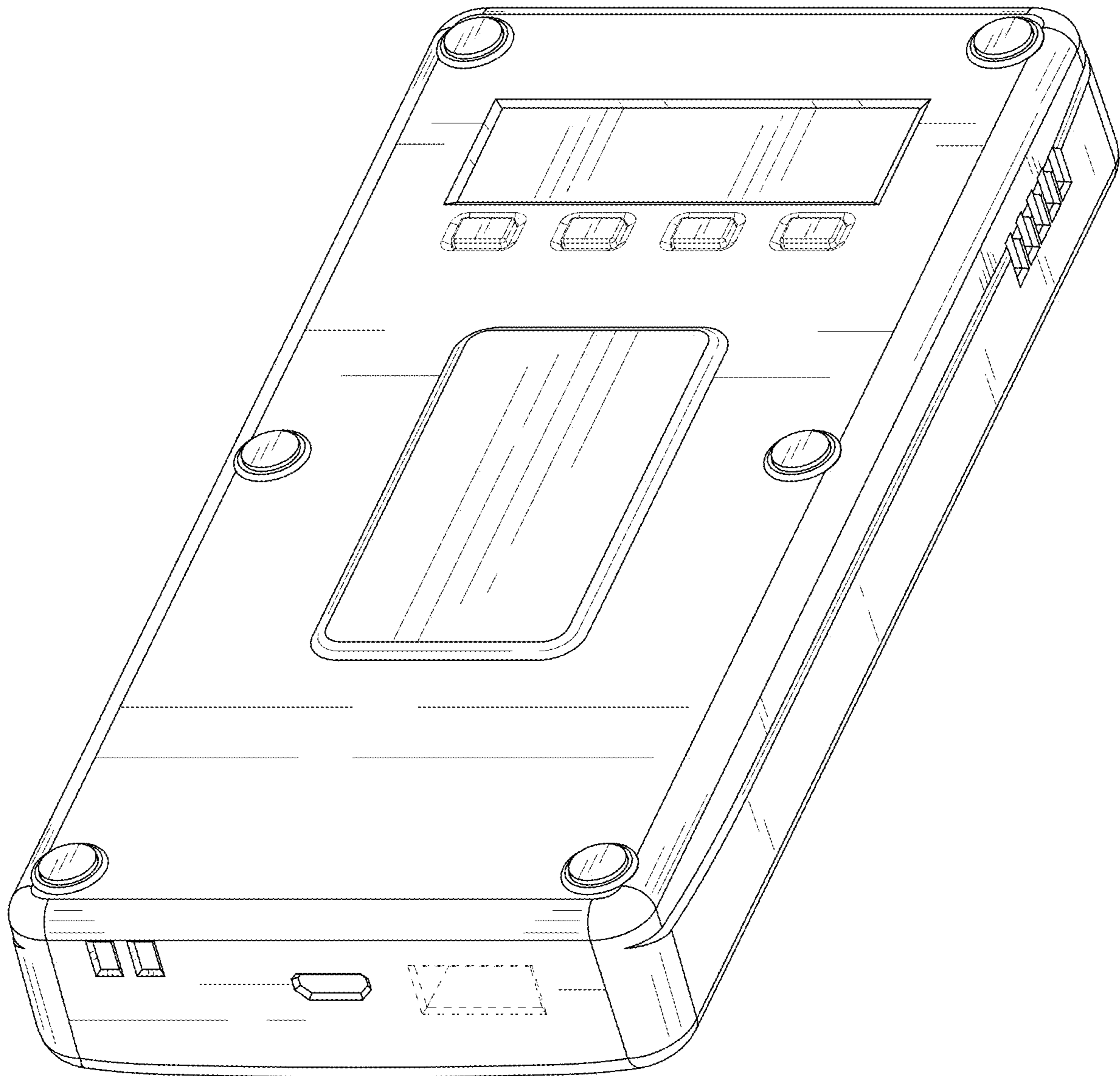


FIG.2

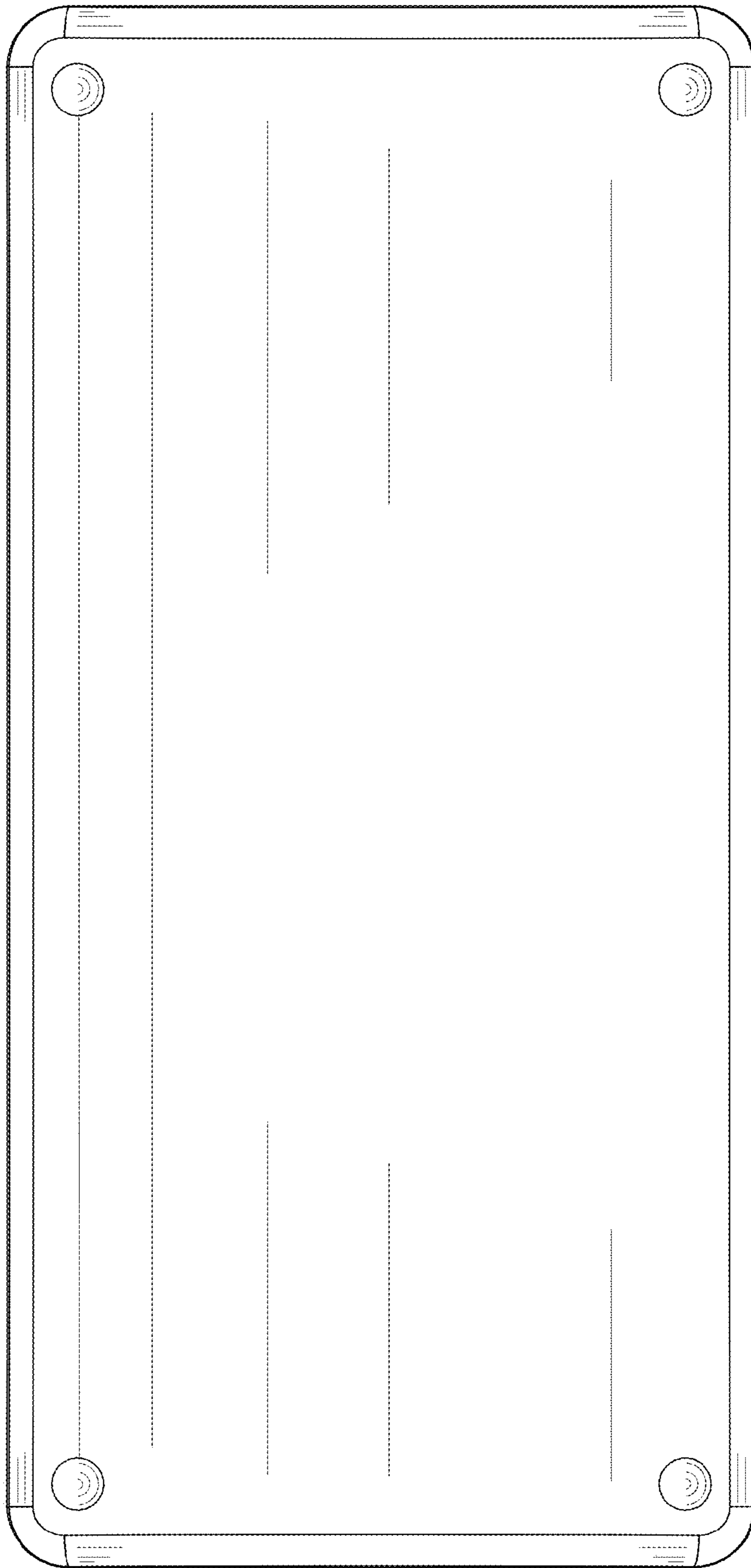


FIG. 3

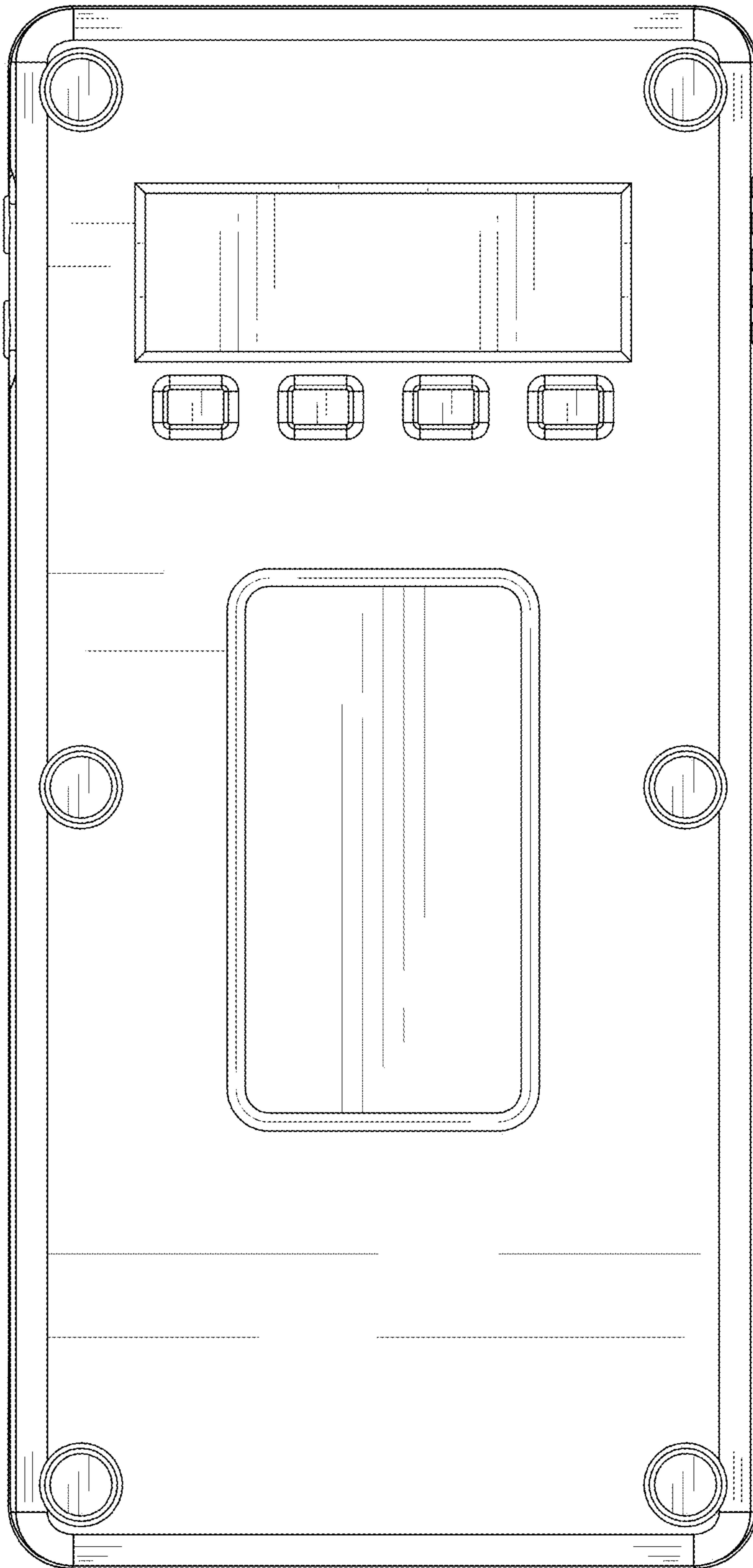


FIG. 4

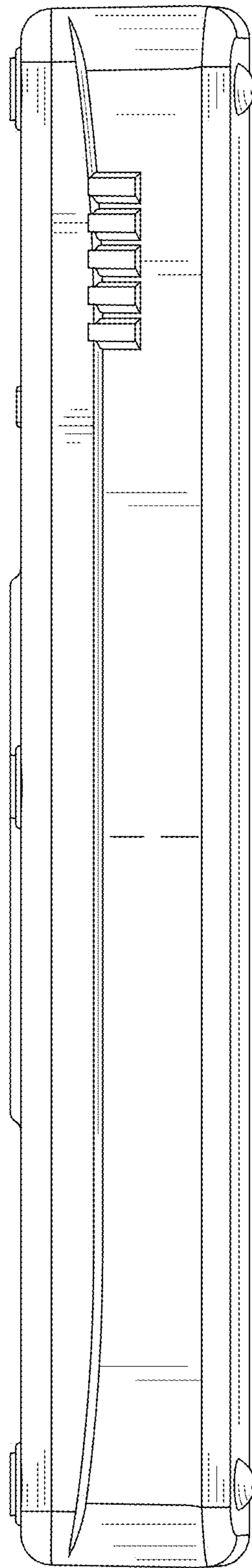


FIG.5

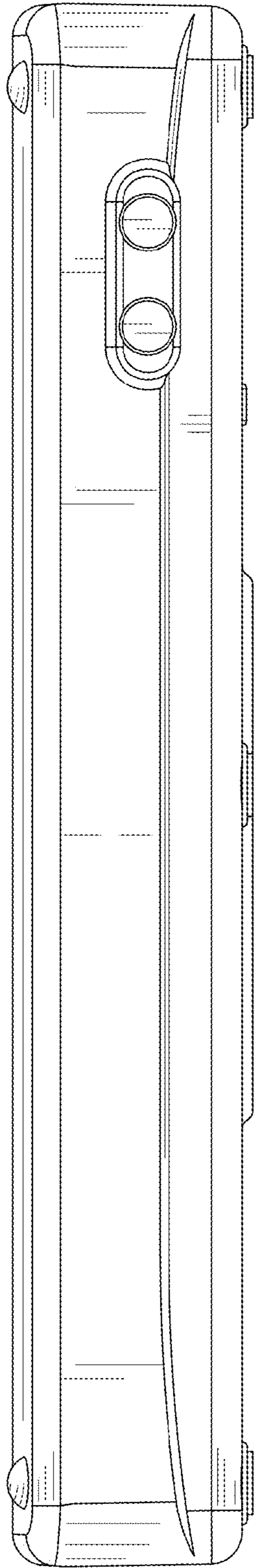


FIG.6

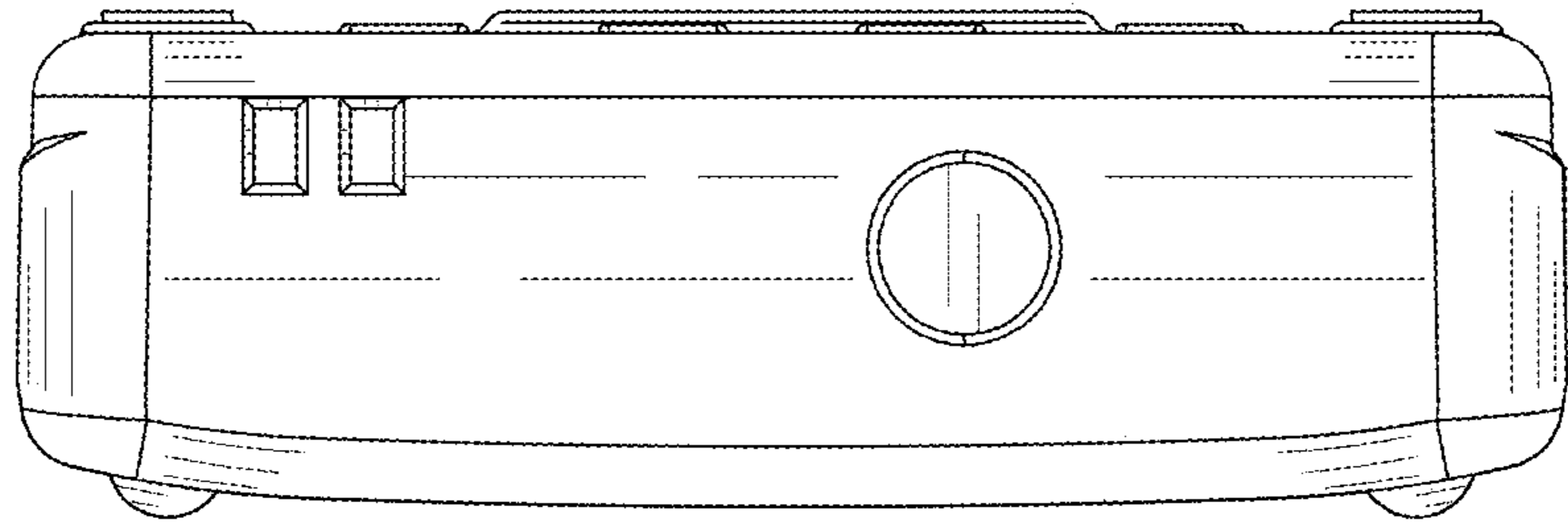


FIG. 7

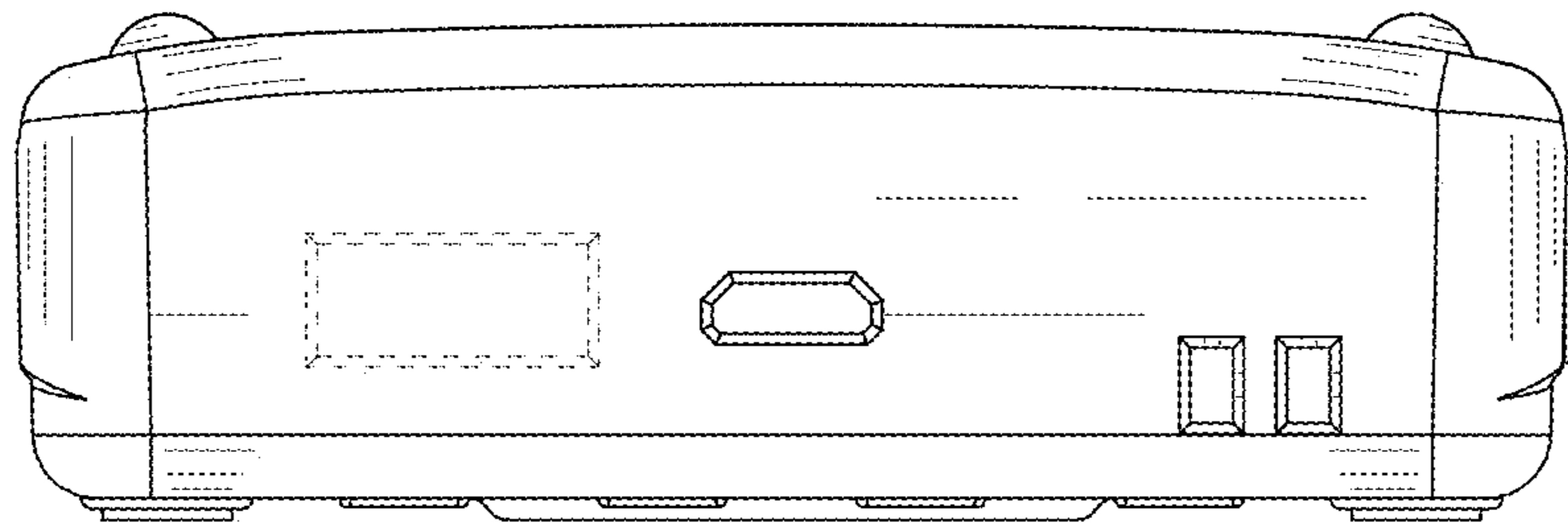


FIG.8