



US00D979803S

(12) **United States Design Patent**
Huang

(10) **Patent No.:** **US D979,803 S**

(45) **Date of Patent:** **** Feb. 28, 2023**

(54) **CANDLE SOCKET**

(71) Applicant: **Liqing Huang**, Xianyou County (CN)

(72) Inventor: **Liqing Huang**, Xianyou County (CN)

(**) Term: **15 Years**

(21) Appl. No.: **29/851,041**

(22) Filed: **Aug. 25, 2022**

(51) **LOC (14) Cl.** **26-01**

(52) **U.S. Cl.**

USPC **D26/22**; D26/9

(58) **Field of Classification Search**

USPC D26/9, 11, 16, 22; D11/146, 155, 156;
D7/509, 531, 523

CPC F21V 35/00; F21V 35/003

See application file for complete search history.

(56) **References Cited**

U.S. PATENT DOCUMENTS

D417,018 S	11/1999	Soller	
D424,471 S *	5/2000	Souris	D11/146
6,435,694 B1 *	8/2002	Bell	C11C 5/008
			431/291
D477,791 S *	7/2003	Wells	D11/146
D515,927 S *	2/2006	Smay	D7/615
D527,583 S *	9/2006	Freeman	D7/509
D544,613 S	6/2007	Timmann et al.	
D575,108 S *	8/2008	Barducci	D7/509
D625,851 S	10/2010	Furner et al.	
D631,578 S	1/2011	Barrett et al.	

D667,574 S	9/2012	Abbondanzio et al.	
D682,448 S	5/2013	Nugent	
D707,373 S *	6/2014	Nugent	D26/22
D734,513 S	7/2015	Brown et al.	
D743,208 S *	11/2015	Thun	D7/509
D744,283 S *	12/2015	Thun	D7/509
D744,284 S *	12/2015	Thun	D7/509
D889,203 S *	7/2020	Bull	C11C 5/008
			D7/509
D916,332 S	4/2021	Threlkeld	
D931,504 S	9/2021	Mecker et al.	

* cited by examiner

Primary Examiner — Cary M Robinson

Assistant Examiner — Julie Marie Bailey

(74) *Attorney, Agent, or Firm* — Xiaofang Zhong

(57) **CLAIM**

The ornamental design for a candle socket, as shown and described.

DESCRIPTION

FIG. 1 is a perspective view of a candle socket showing my new design;

FIG. 2 is another perspective view thereof;

FIG. 3 is a top plan view thereof;

FIG. 4 is a bottom plan view thereof;

FIG. 5 is a left view thereof;

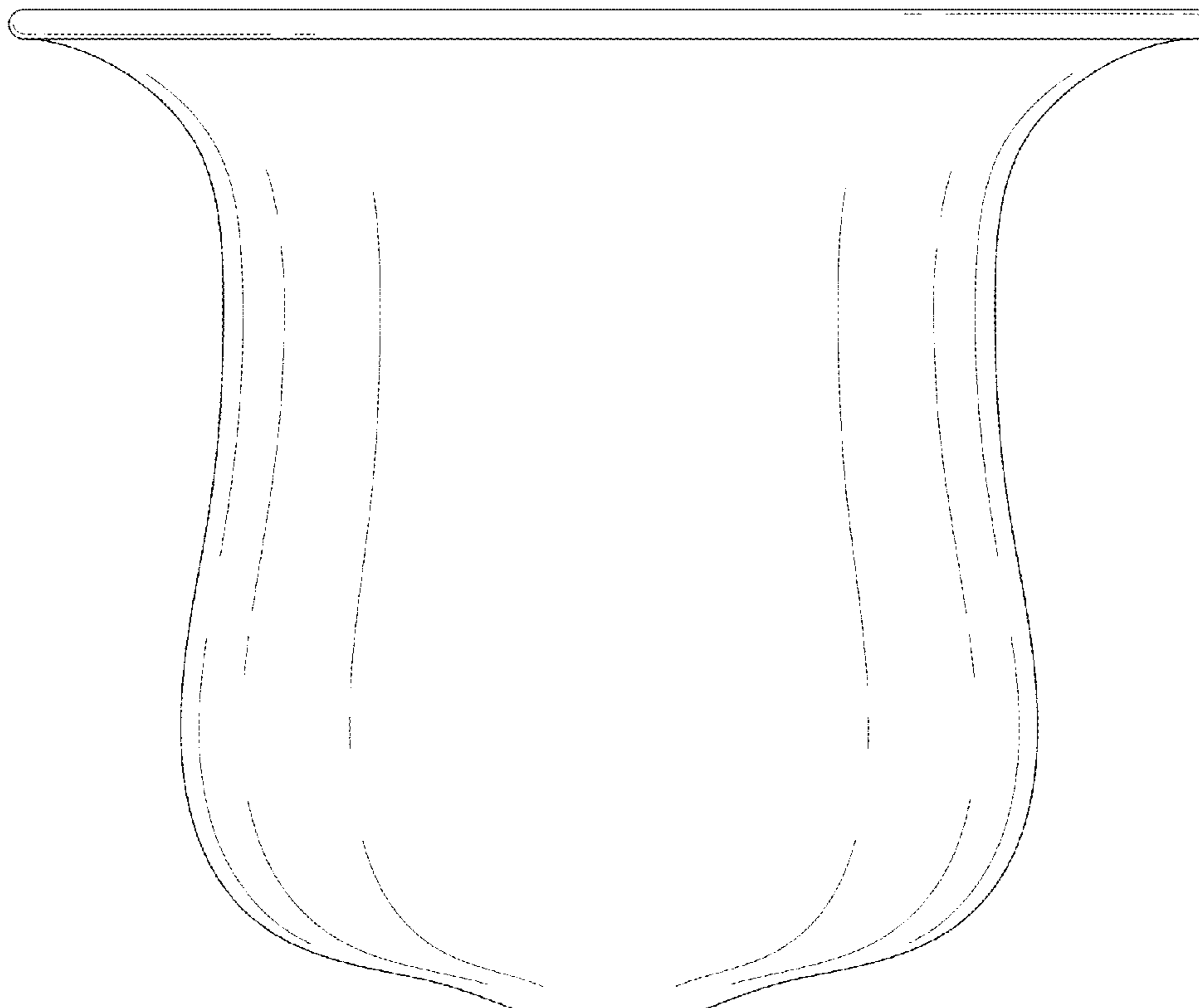
FIG. 6 is a right view thereof;

FIG. 7 is a rear elevational view thereof;

FIG. 8 is a front elevational view thereof; and,

FIG. 9 is a section view taken along line 9 of FIG. 3.

1 Claim, 9 Drawing Sheets



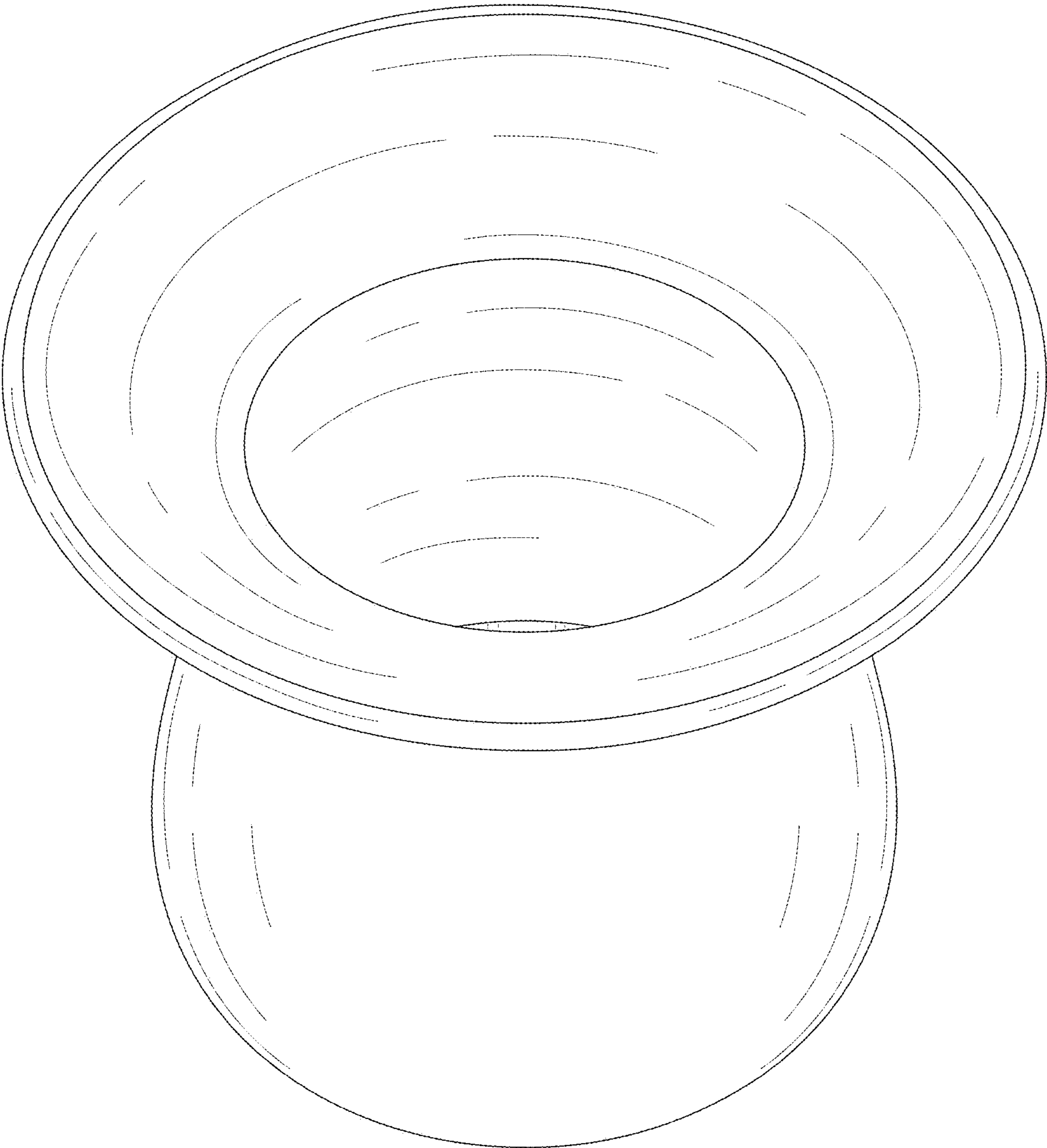


FIG. 1

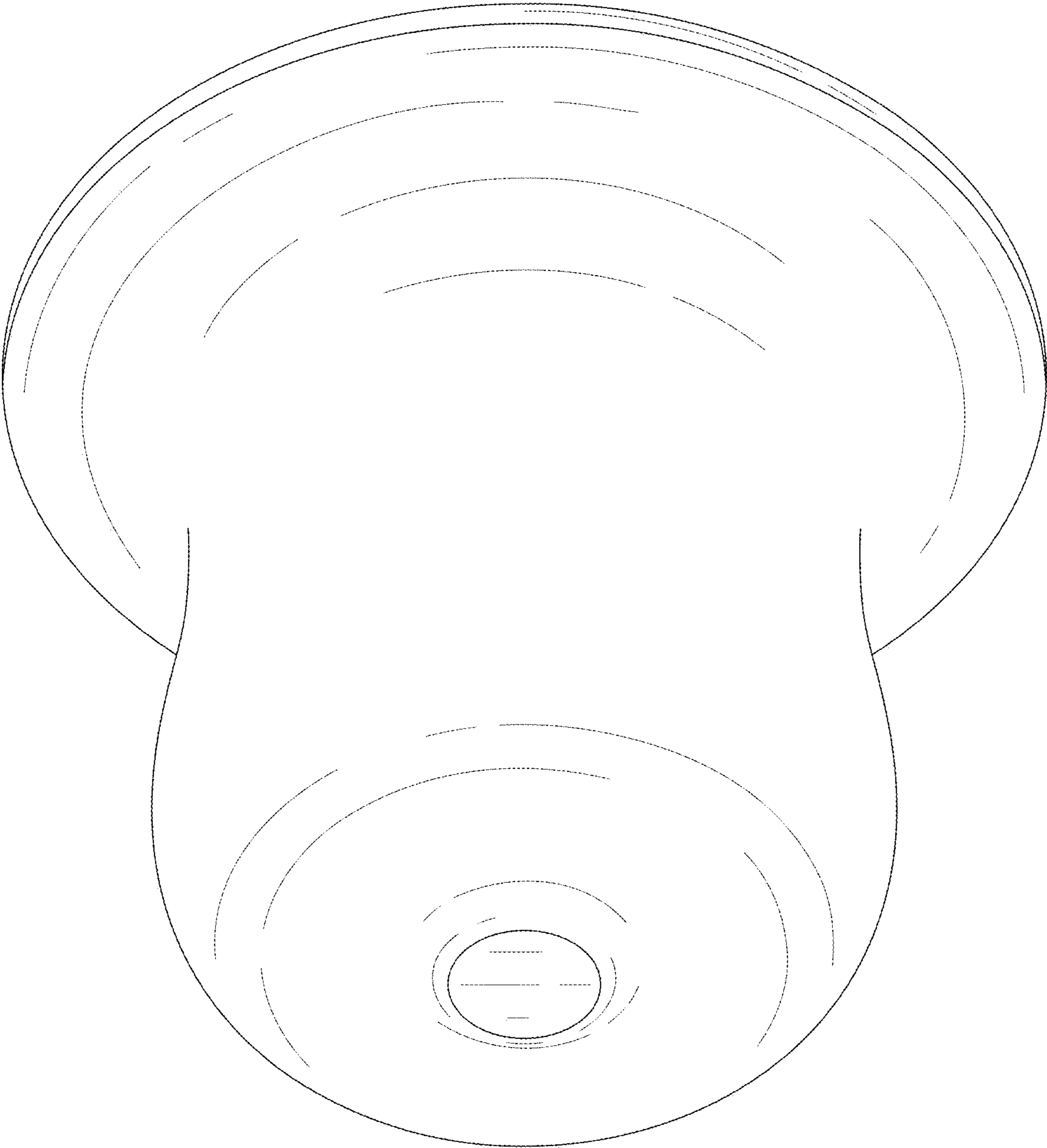


FIG. 2

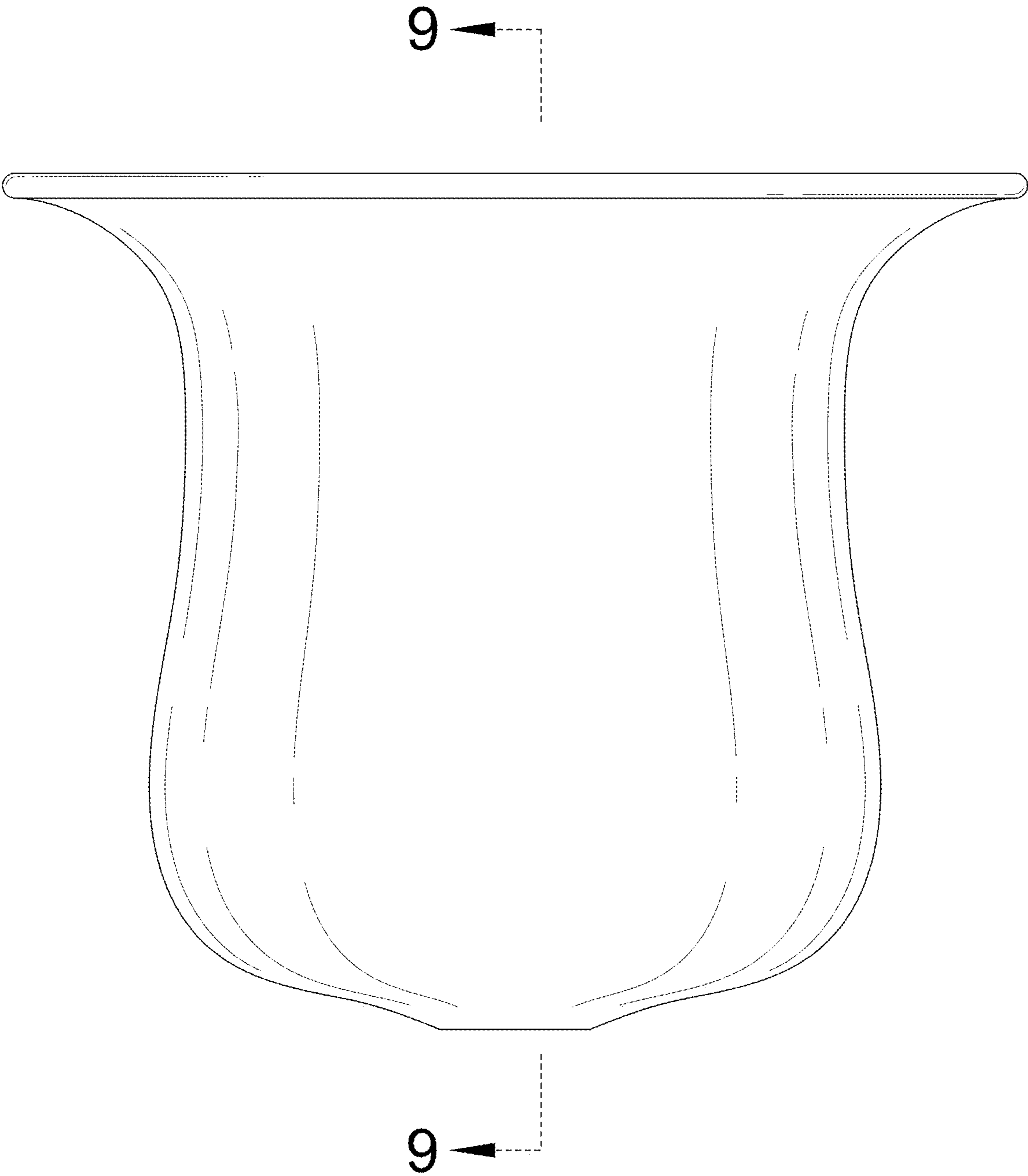


FIG. 3

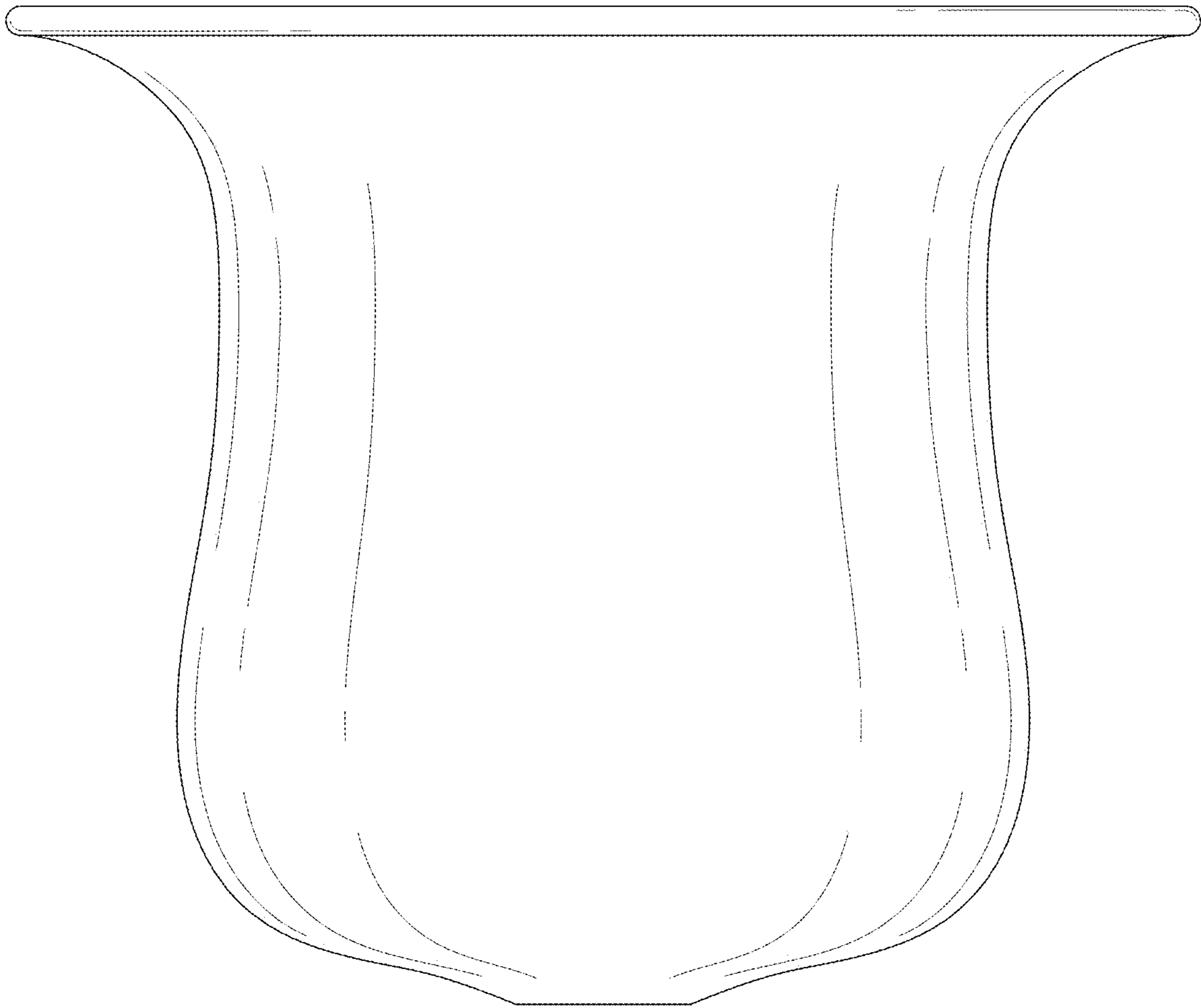


FIG. 4

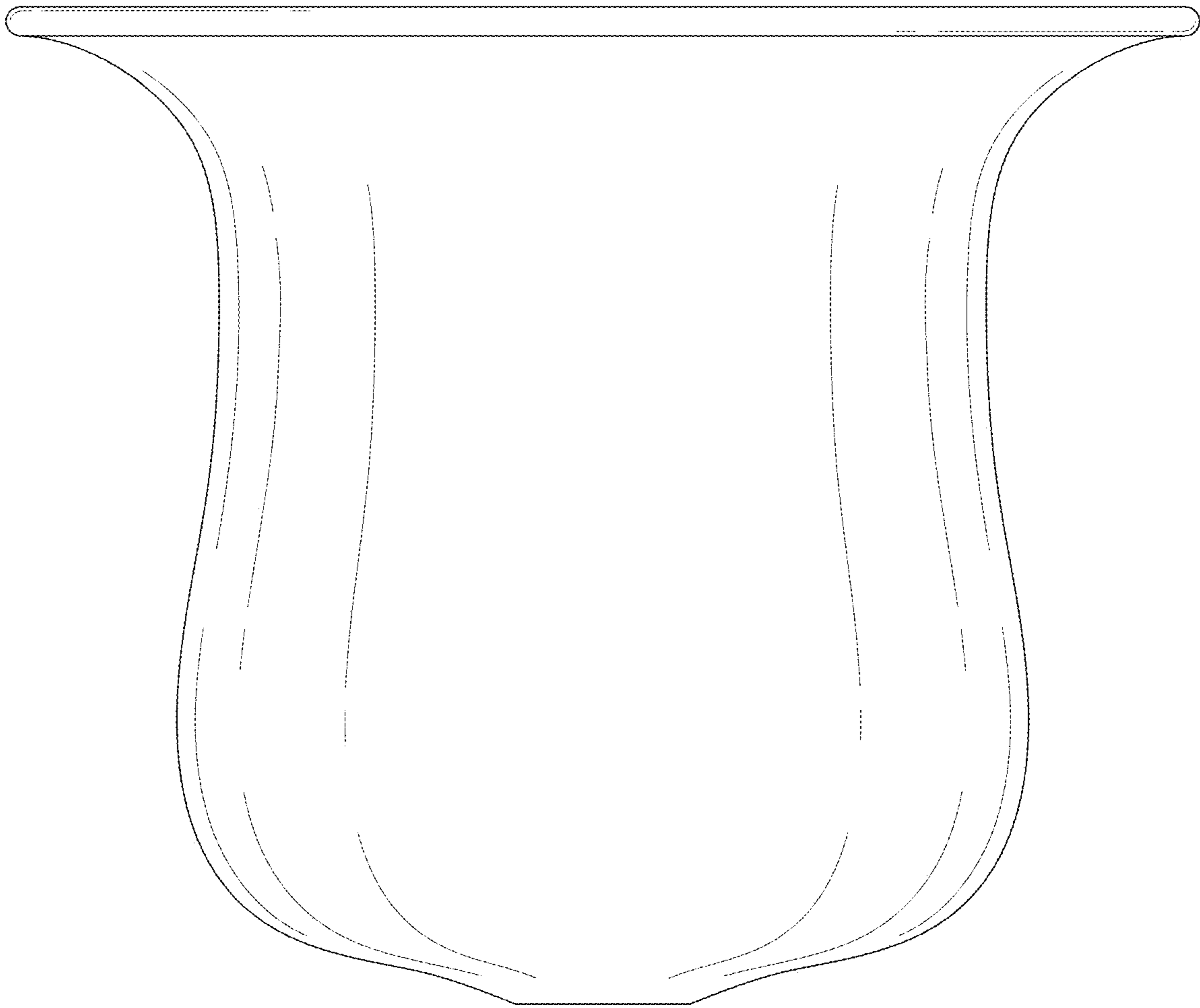


FIG. 5

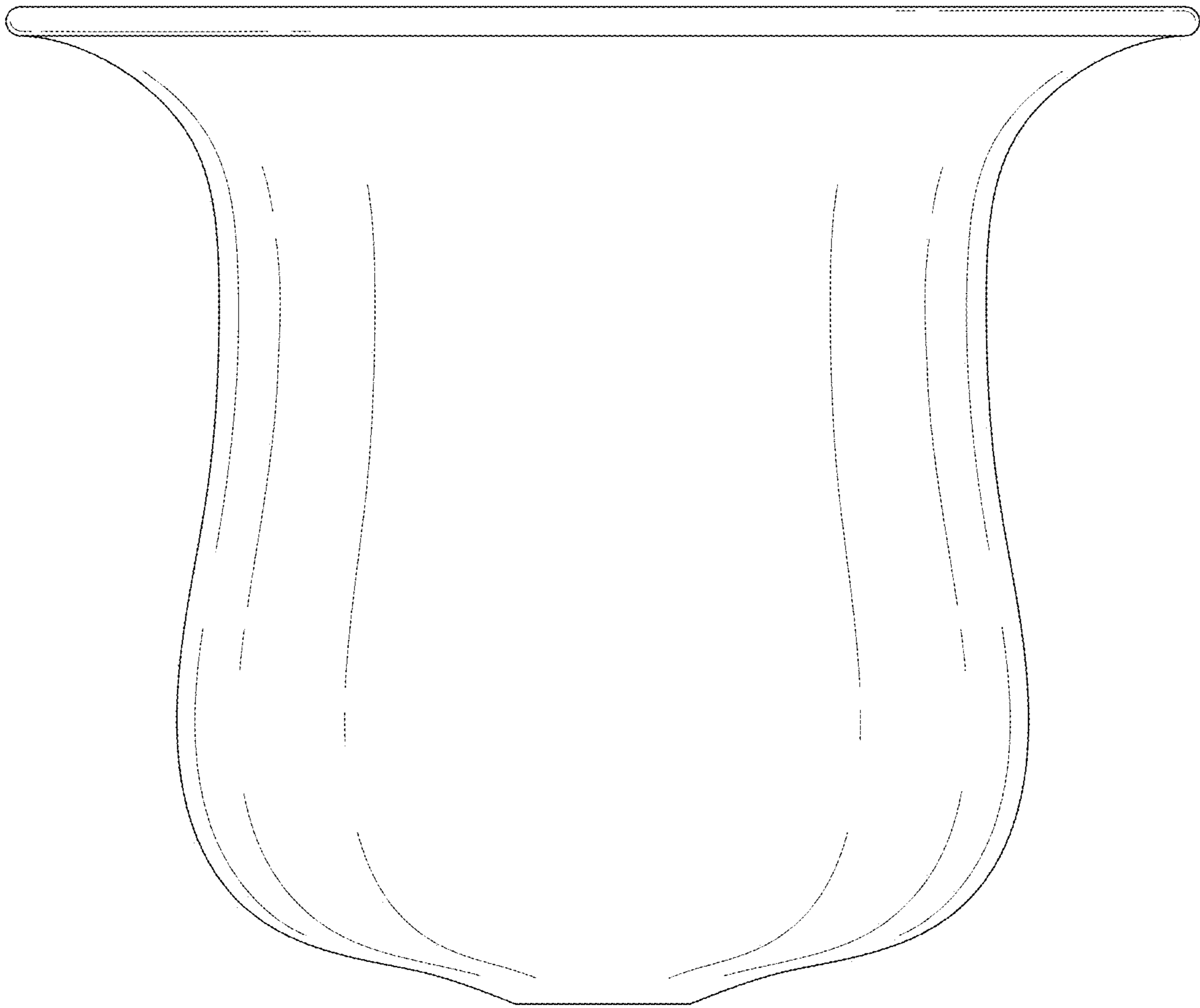


FIG. 6

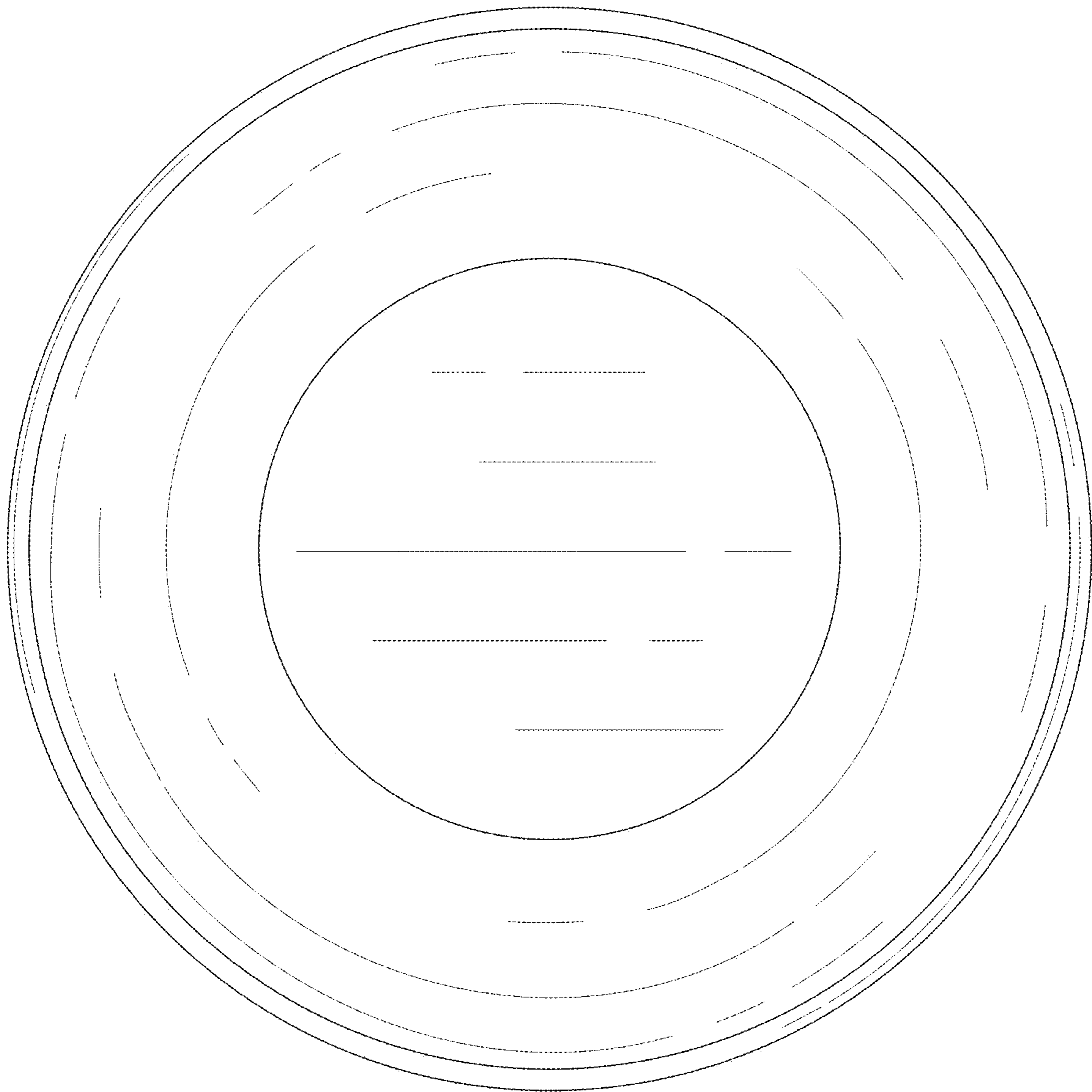


FIG. 7

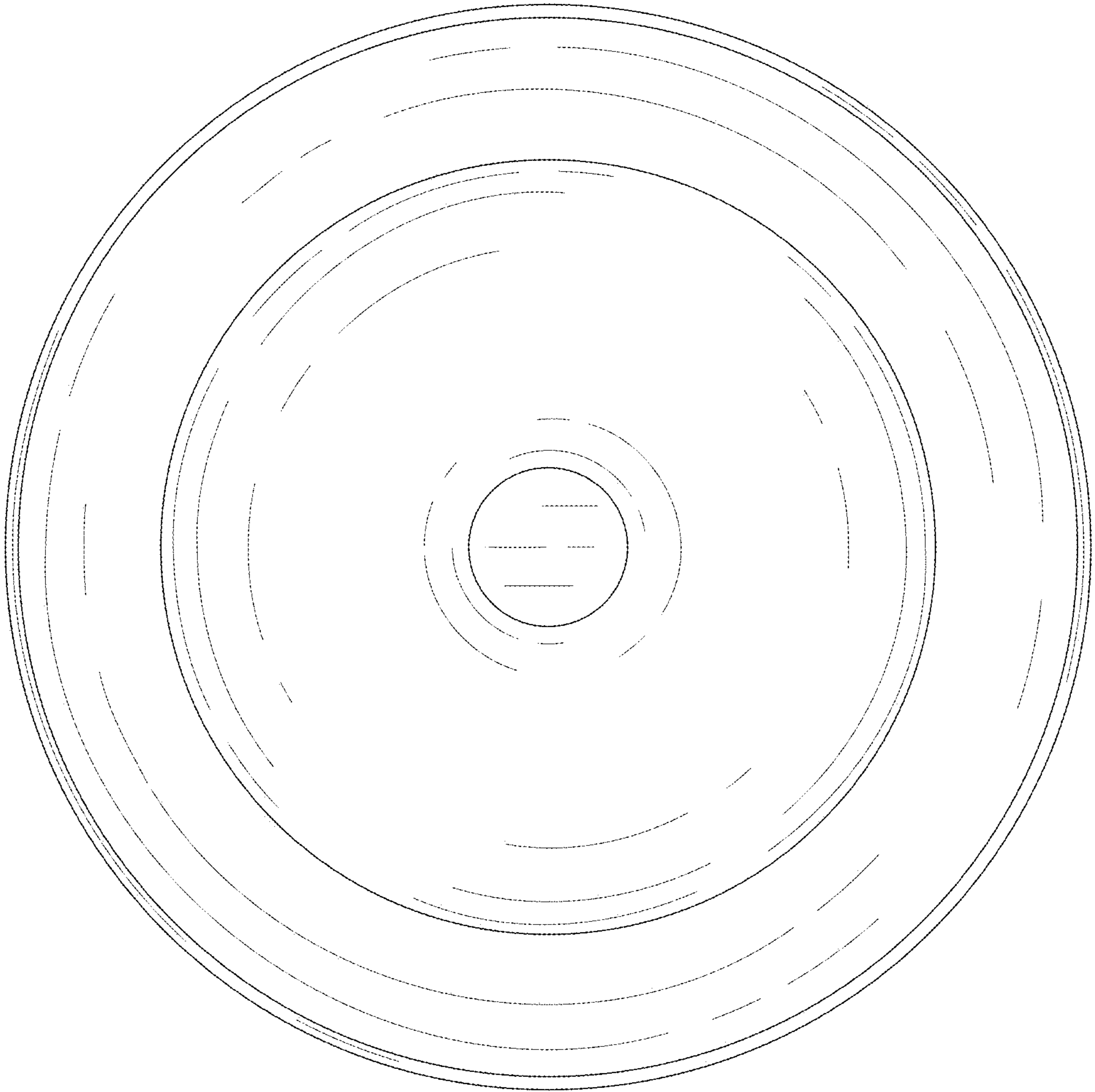


FIG. 8

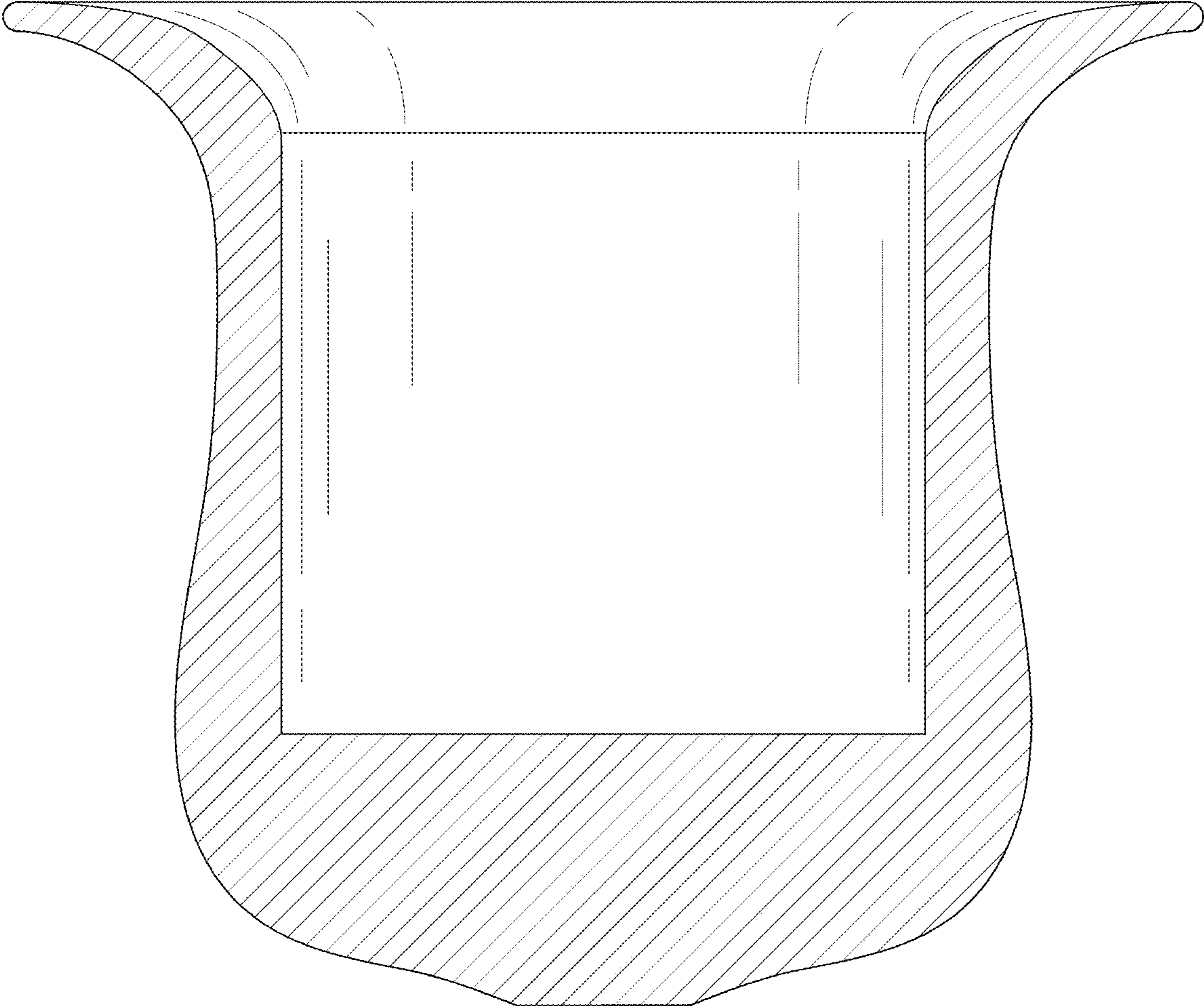


FIG. 9