



US00D979800S

(12) **United States Design Patent**  
**Shaw et al.**

(10) **Patent No.:** **US D979,800 S**  
(45) **Date of Patent:** **\*\* Feb. 28, 2023**

(54) **SIDING PANEL**  
(71) Applicant: **CertainTeed L:LC**, Malvern, PA (US)  
(72) Inventors: **Robert D. Shaw**, Parma, MI (US);  
**David J. Stucky**, Grass Lake, MI (US);  
**Kara Radcliffe**, Malvern, PA (US)  
(73) Assignee: **CERTAINTEED LLC**, Malvern, PA (US)

8,596,013 B2 \* 12/2013 Boo ..... E04C 2/38  
52/588.1  
D698,046 S \* 1/2014 Griffiths ..... D25/141  
D699,867 S \* 2/2014 Thompson ..... D25/141

\* cited by examiner

*Primary Examiner* — Doris Clark  
(74) *Attorney, Agent, or Firm* — McDonnell Boehnen  
Hulbert & Berghoff LLP

(\*\*) Term: **15 Years**

(21) Appl. No.: **29/736,241**

(22) Filed: **May 28, 2020**

(51) **LOC (14) Cl.** ..... **25-01**

(52) **U.S. Cl.**  
USPC ..... **D25/141**

(58) **Field of Classification Search**  
USPC ..... D25/139, 141  
CPC ..... E04F 13/007; E04F 13/07; E04F 13/076;  
E04F 13/08; E04F 13/0841; E04F  
13/0862; E04F 13/0864; B32B 2607/00  
See application file for complete search history.

(56) **References Cited**

**U.S. PATENT DOCUMENTS**

D641,894 S \* 7/2011 Bragg ..... D25/141  
8,336,269 B1 \* 12/2012 Mollinger ..... E04F 13/185  
428/167

(57) **CLAIM**

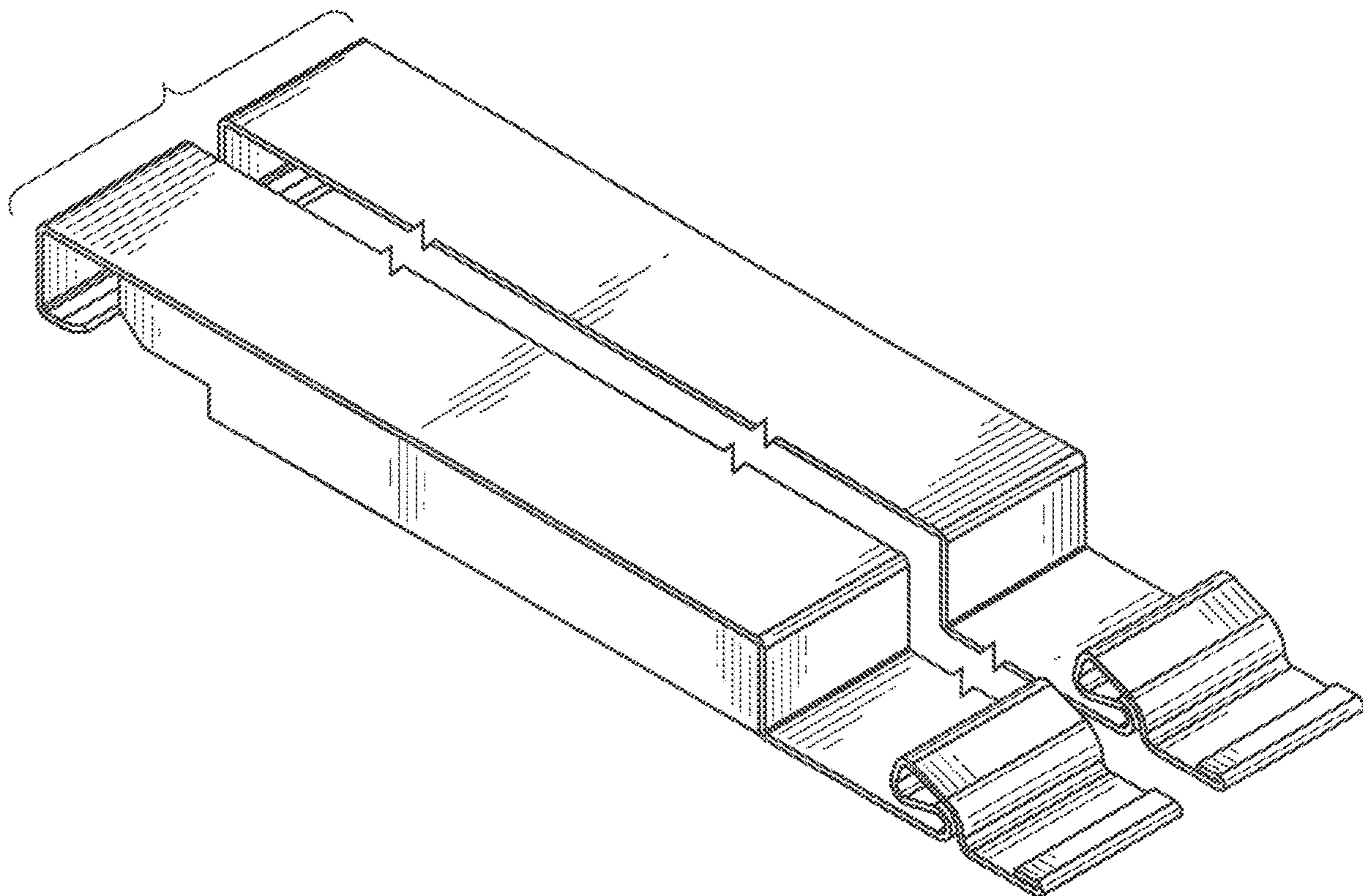
We claim the ornamental design for a siding panel, as shown and described.

**DESCRIPTION**

FIG. 1 is a perspective view of a siding panel in accordance with our new design.  
FIG. 2 is a left side elevation view thereof,  
FIG. 3 is a right side elevation view thereof,  
FIG. 4 is a front elevation view thereof,  
FIG. 5 is a rear elevation view thereof,  
FIG. 6 is a top view thereof; and,  
FIG. 7 is a bottom view thereof.

Areas that appear between the break lines in the figures form no part of the claimed design and indicate that a specific width forms no part of the claimed design.

**1 Claim, 4 Drawing Sheets**



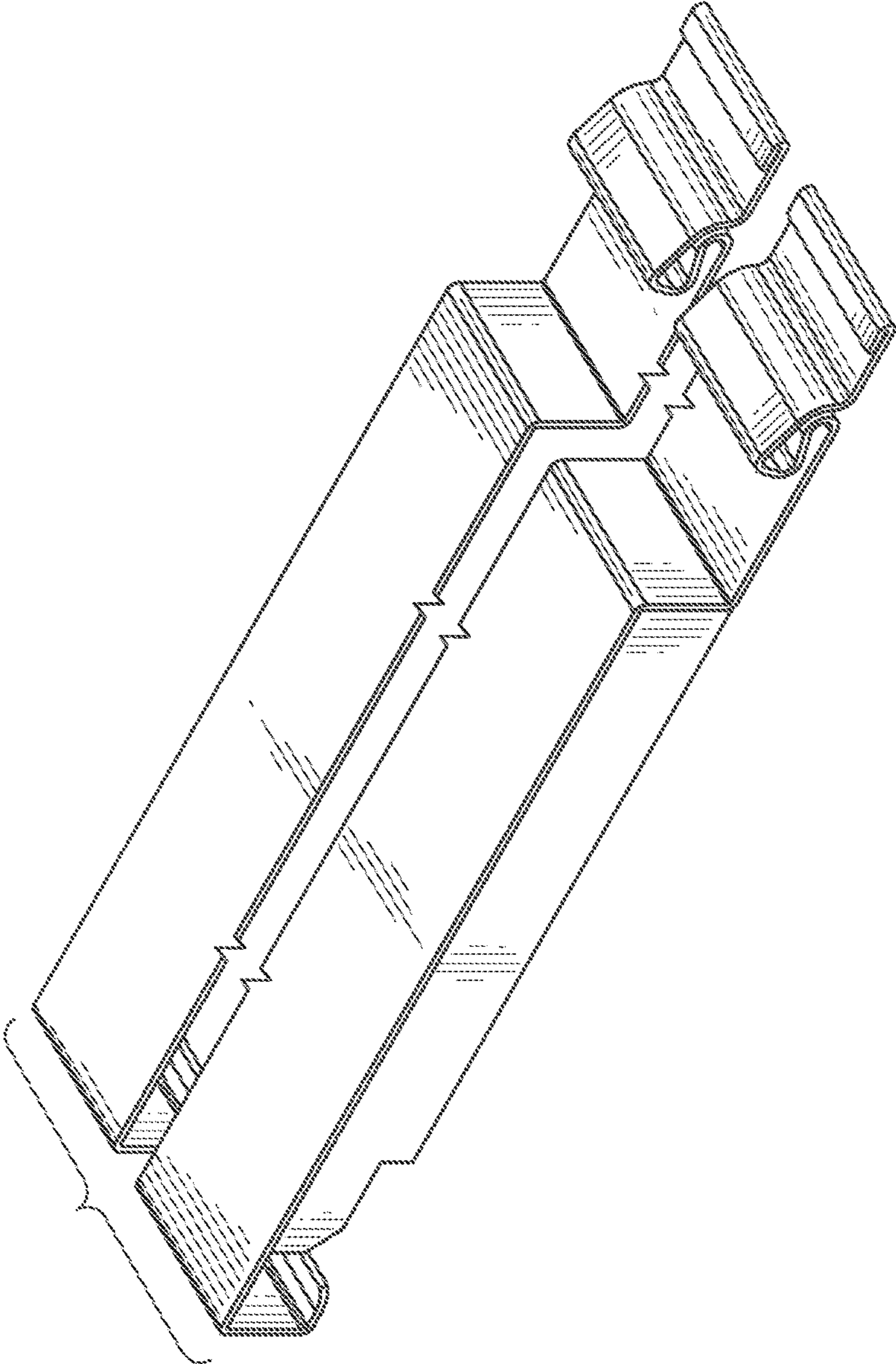


FIG. 1



FIG. 2

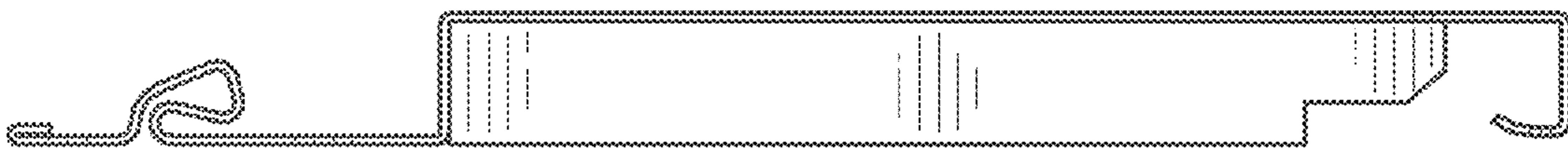


FIG. 3



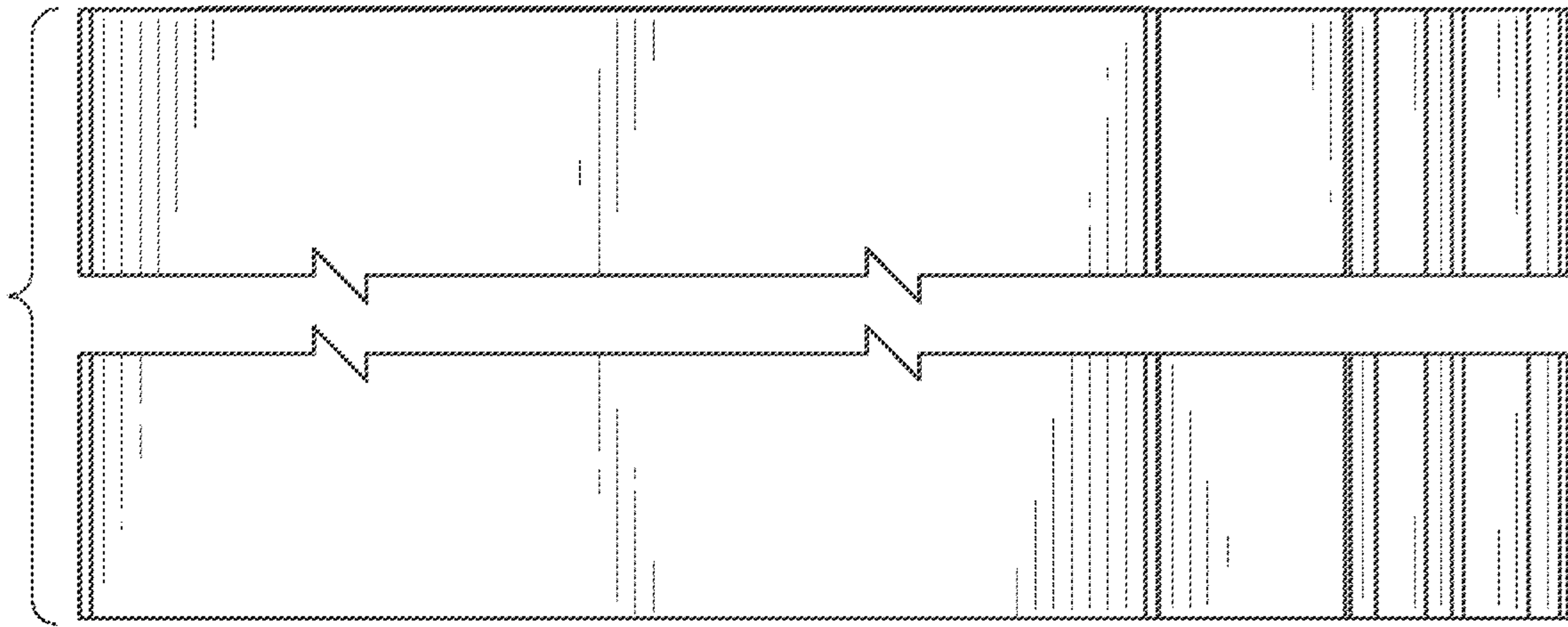


FIG. 4

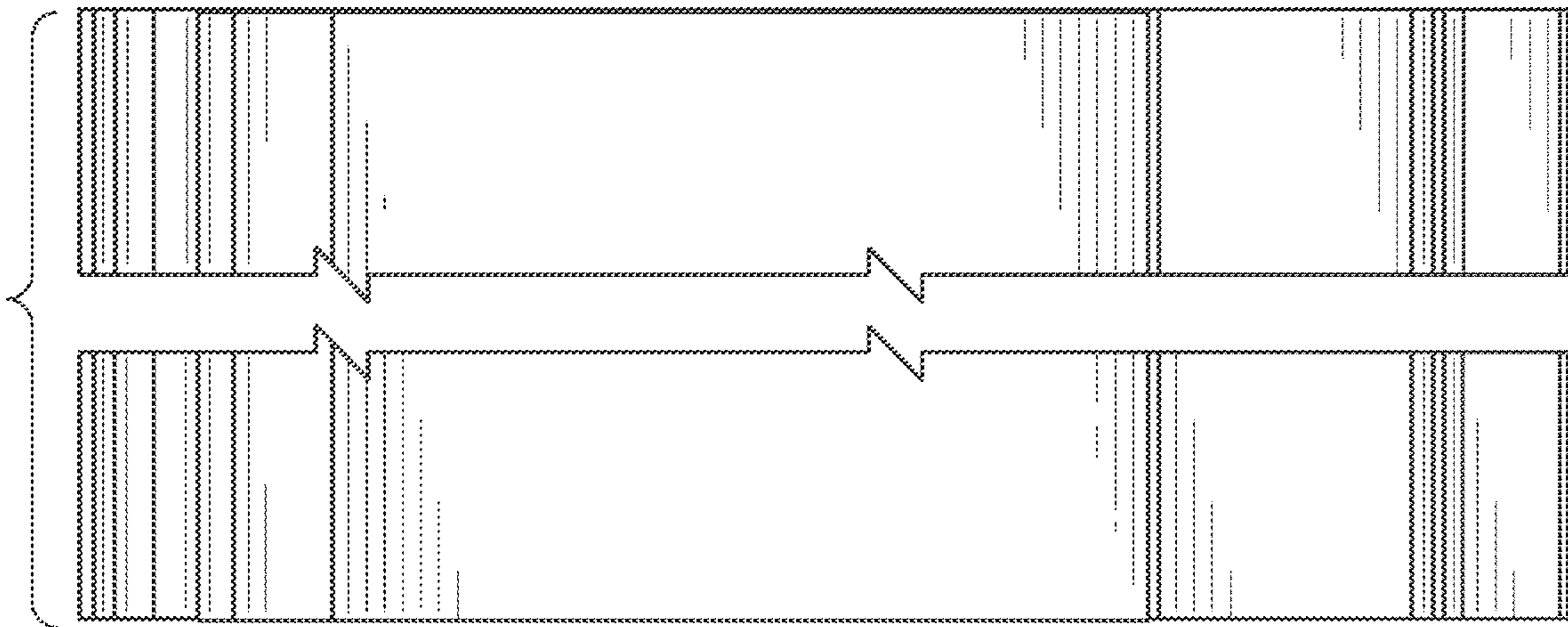


FIG. 5

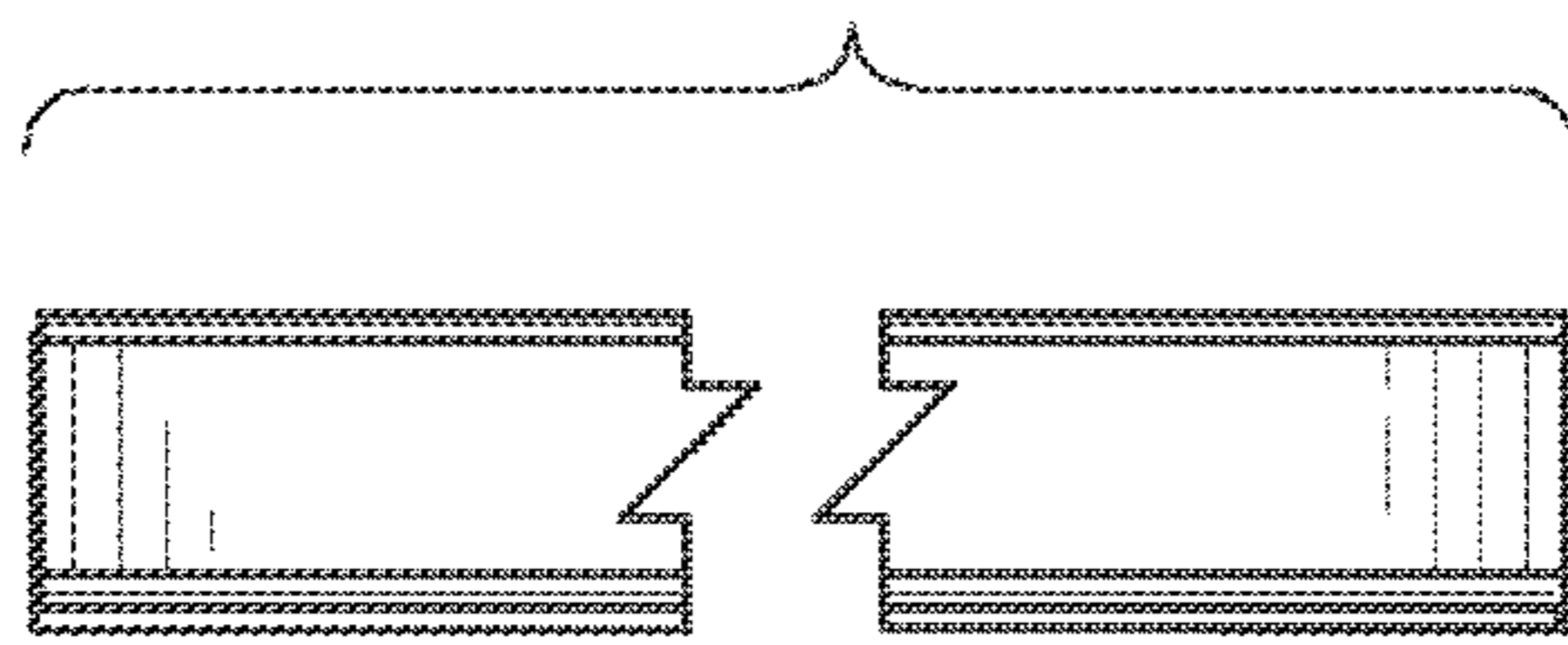


FIG. 6

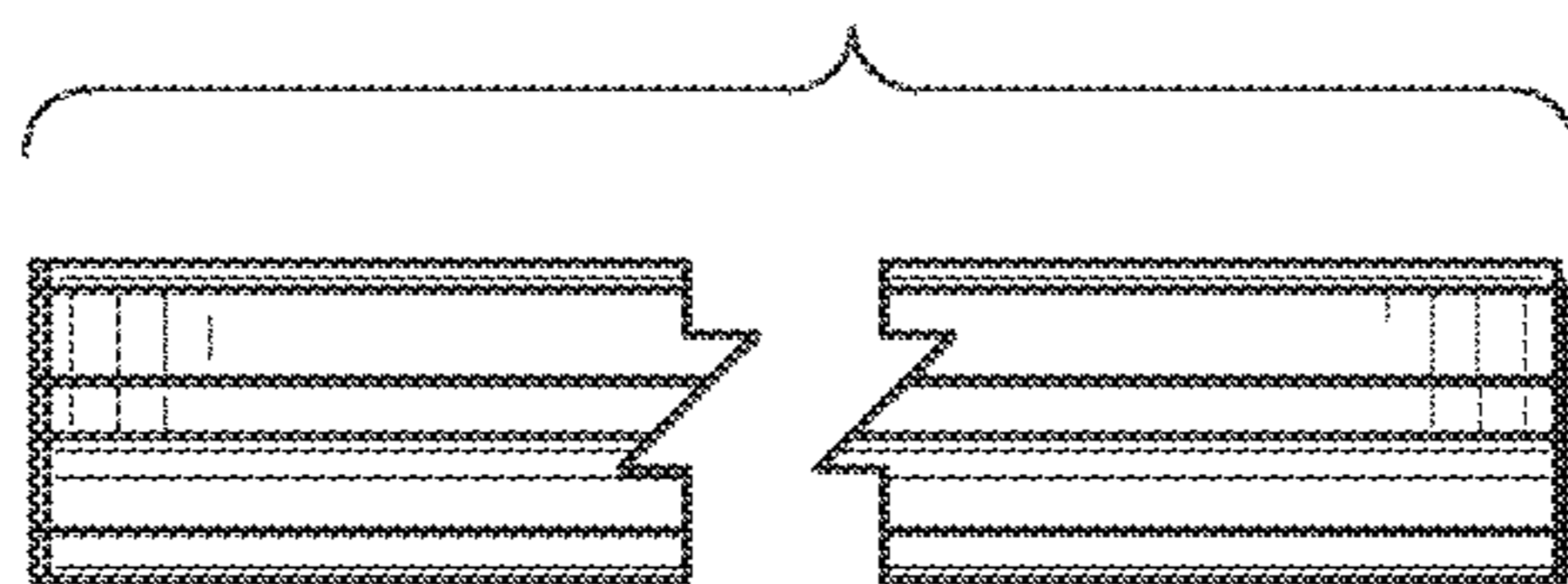


FIG. 7