



US00D979797S

(12) **United States Design Patent**
Ridley

(10) **Patent No.:** **US D979,797 S**

(45) **Date of Patent:** **** Feb. 28, 2023**

- (54) **BUILDING MODULE**
- (71) Applicant: **Bill Ridley**, Oklahoma City, OK (US)
- (72) Inventor: **Bill Ridley**, Oklahoma City, OK (US)
- (**) Term: **15 Years**
- (21) Appl. No.: **29/713,434**
- (22) Filed: **Nov. 15, 2019**
- (51) **LOC (14) Cl.** **25-04**
- (52) **U.S. Cl.**
USPC **D25/69**
- (58) **Field of Classification Search**
USPC D25/62, 63, 68, 69; 52/187, 832, 183,
52/189, 741.2; 119/847
CPC E04F 11/035; E04F 11/022; E04F 11/09;
E04F 11/1812; E04F 11/1817; E04F
2011/007; E04F 11/032; E04F 11/038;
E04B 1/2403
See application file for complete search history.

(56) **References Cited**

U.S. PATENT DOCUMENTS

- 6,155,007 A * 12/2000 Murase E04F 11/032
52/182
- D463,039 S * 9/2002 Tseng D25/69

- 6,523,310 B1 * 2/2003 Tseng E04F 11/032
52/182
- 8,534,234 B2 * 9/2013 Moore, III A01K 1/035
119/847
- 2008/0236066 A1* 10/2008 Arnold E04F 11/032
52/187

* cited by examiner

Primary Examiner — Gino Colan

(74) *Attorney, Agent, or Firm* — Dunlap Coddling, P.C.

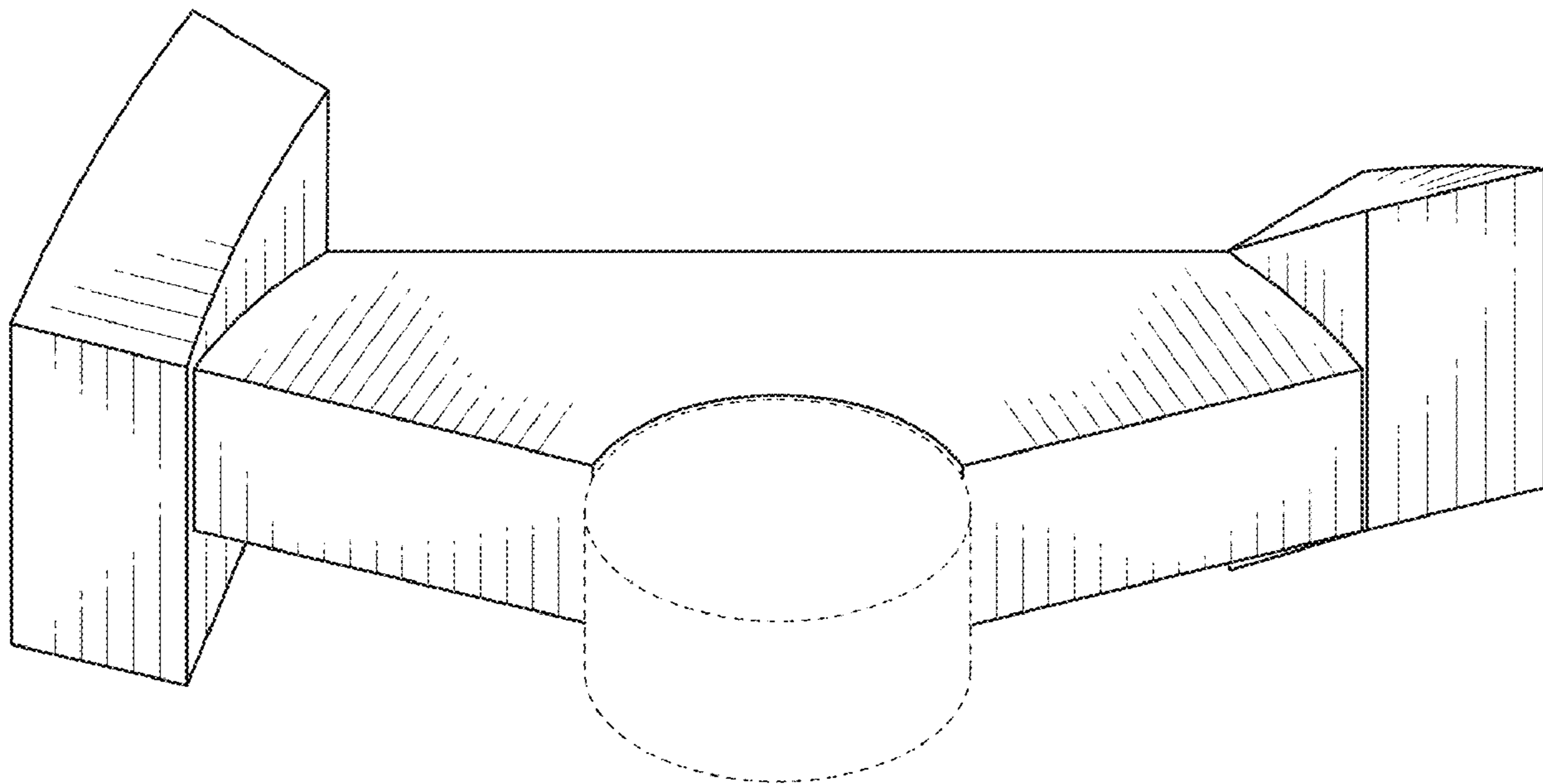
(57) **CLAIM**

The ornamental design for a building module, as shown and described.

DESCRIPTION

FIG. 1 is a perspective view of a building module showing my new design.
 FIG. 2 is a front elevational view thereof.
 FIG. 3 is a rear elevational view thereof.
 FIG. 4 is a right side elevational view thereof.
 FIG. 5 is a left side elevational view thereof.
 FIG. 6 is a top plan view thereof.
 FIG. 7 is a bottom plan view thereof; and,
 FIG. 8 is a perspective view of the building module shown incorporated into a building structure.
 The broken lines represent environment that forms no part of the claim.

1 Claim, 4 Drawing Sheets



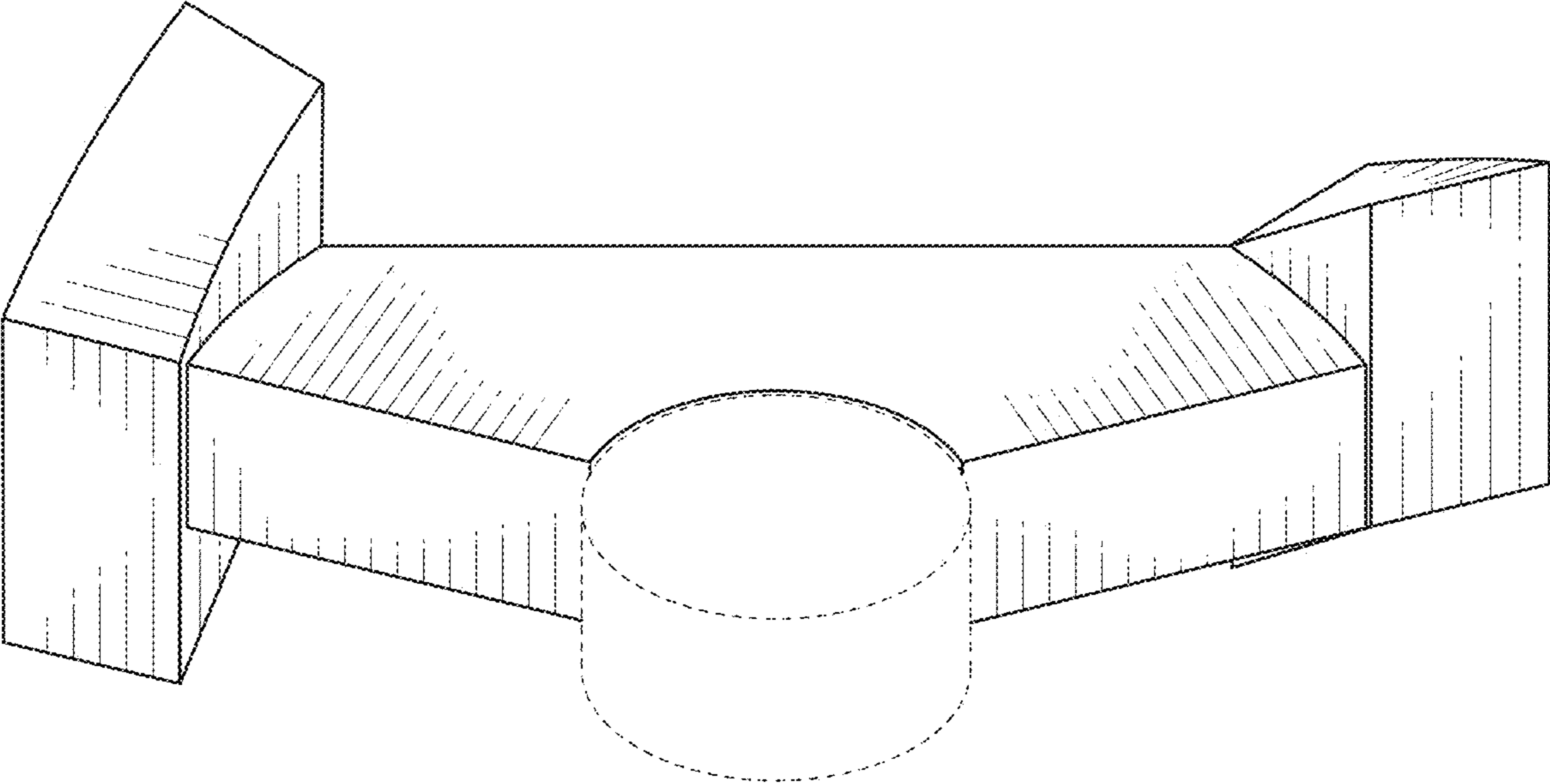


FIG. 1

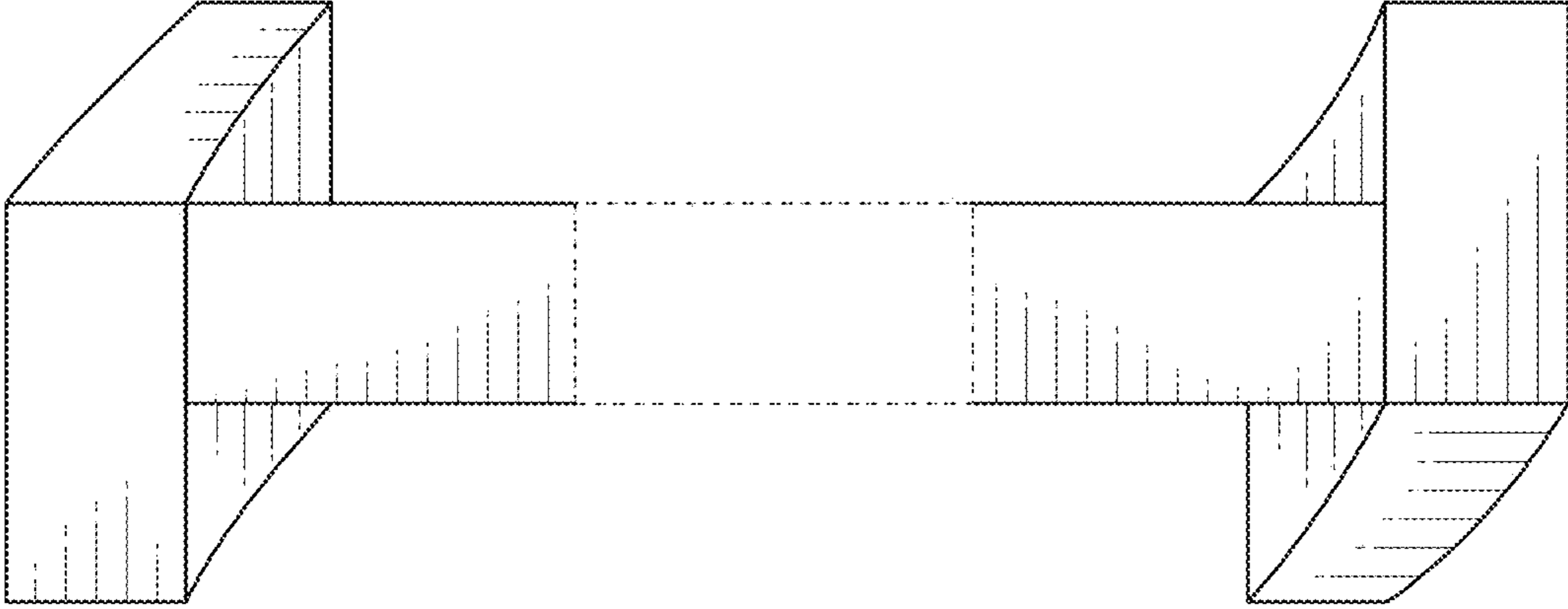


FIG. 2

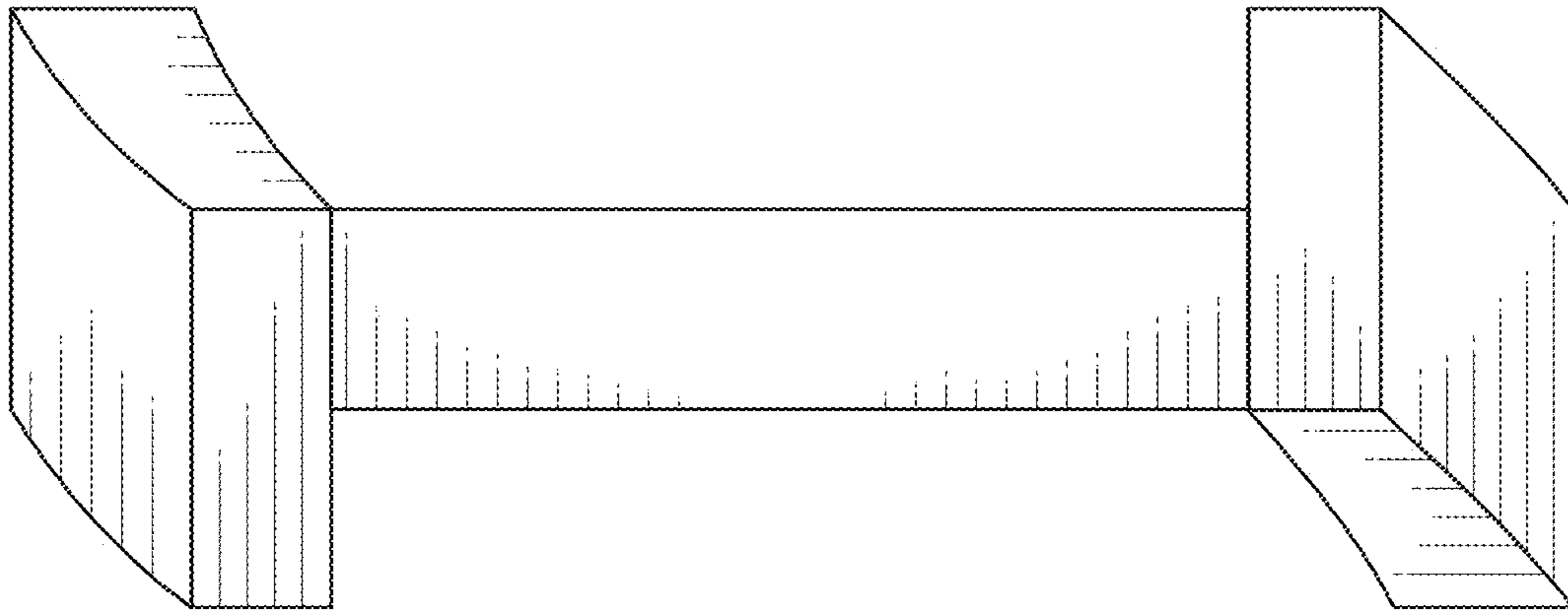


FIG. 3

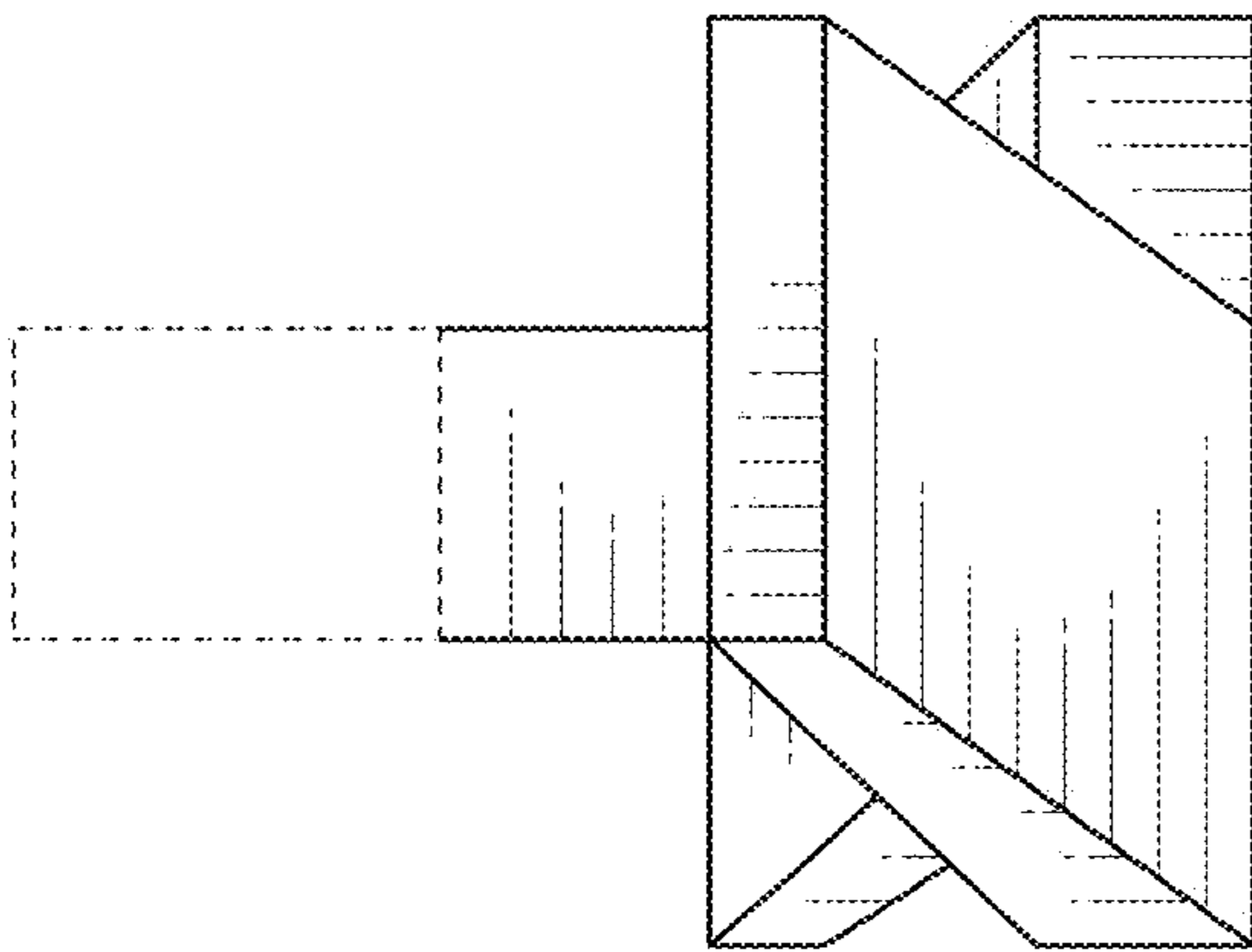


FIG. 4

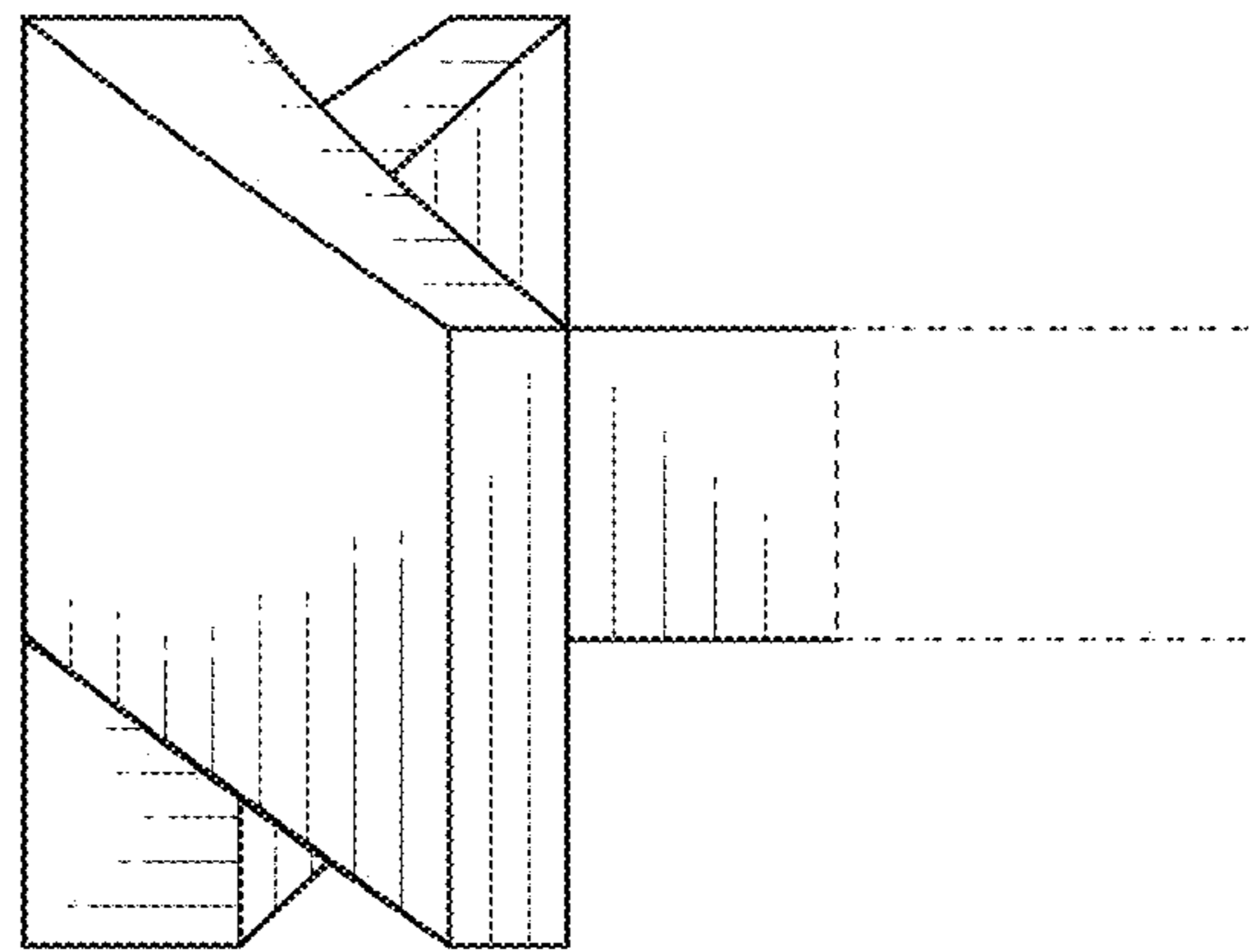


FIG. 5

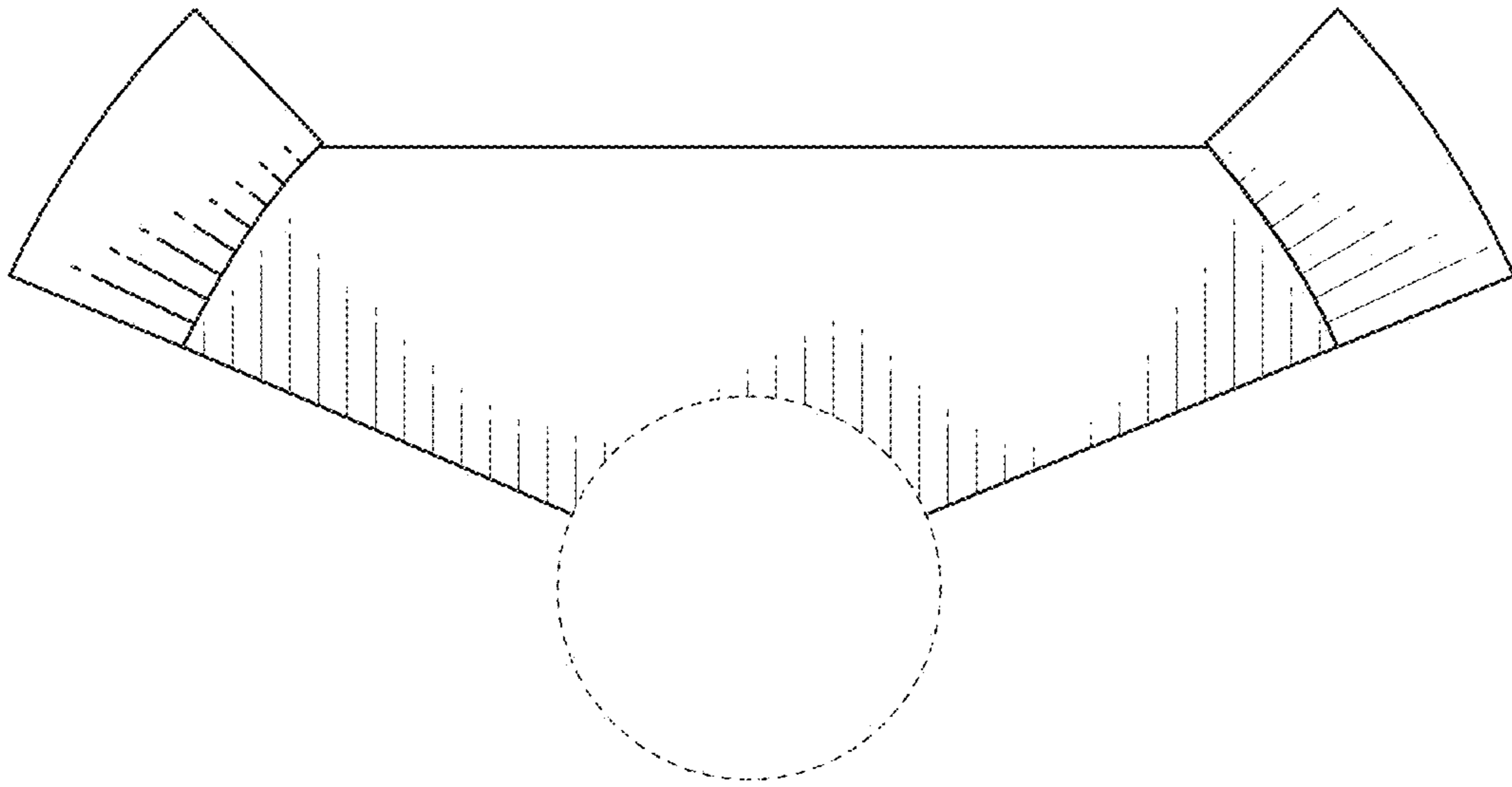


FIG. 6

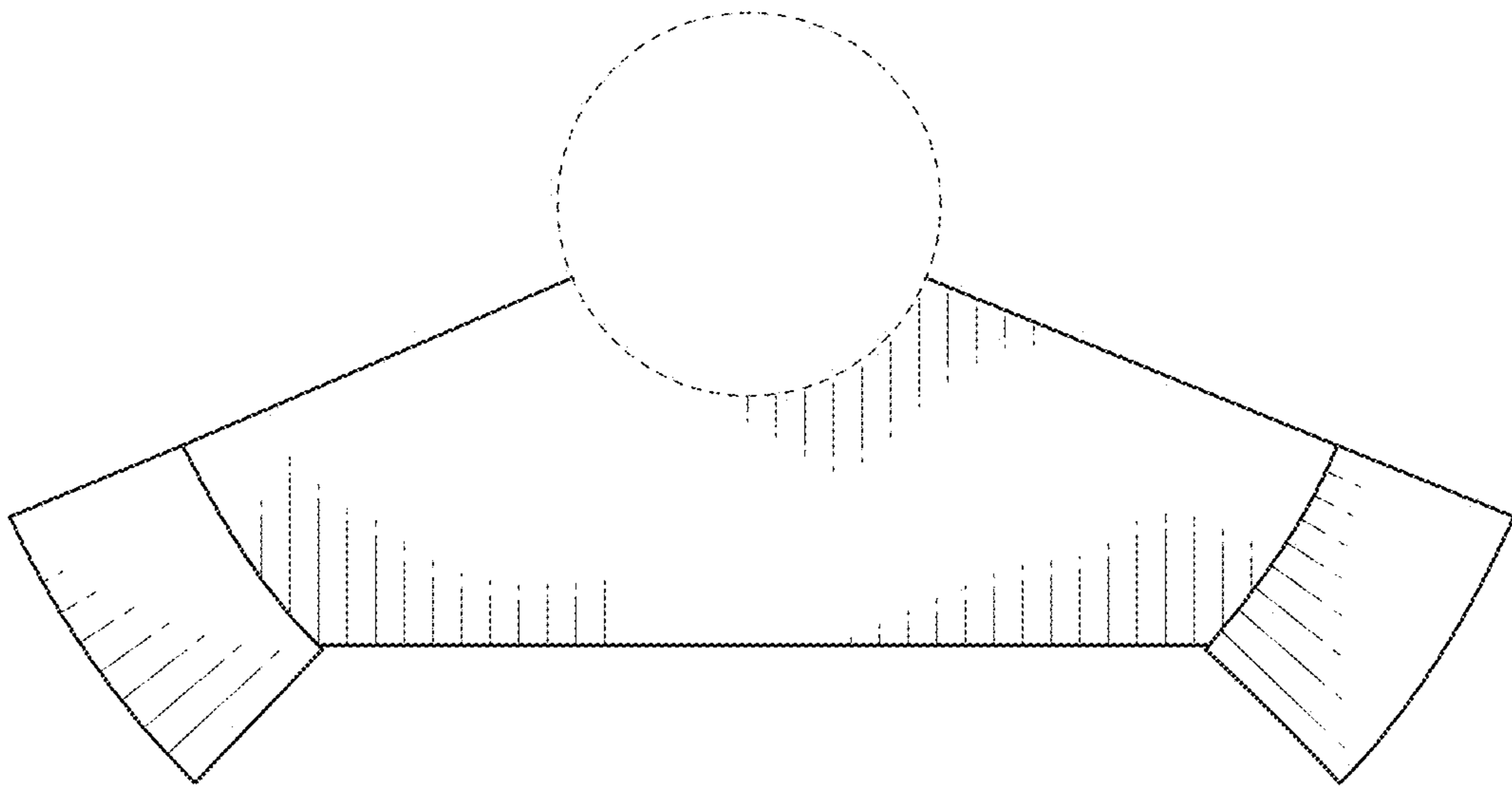


FIG. 7

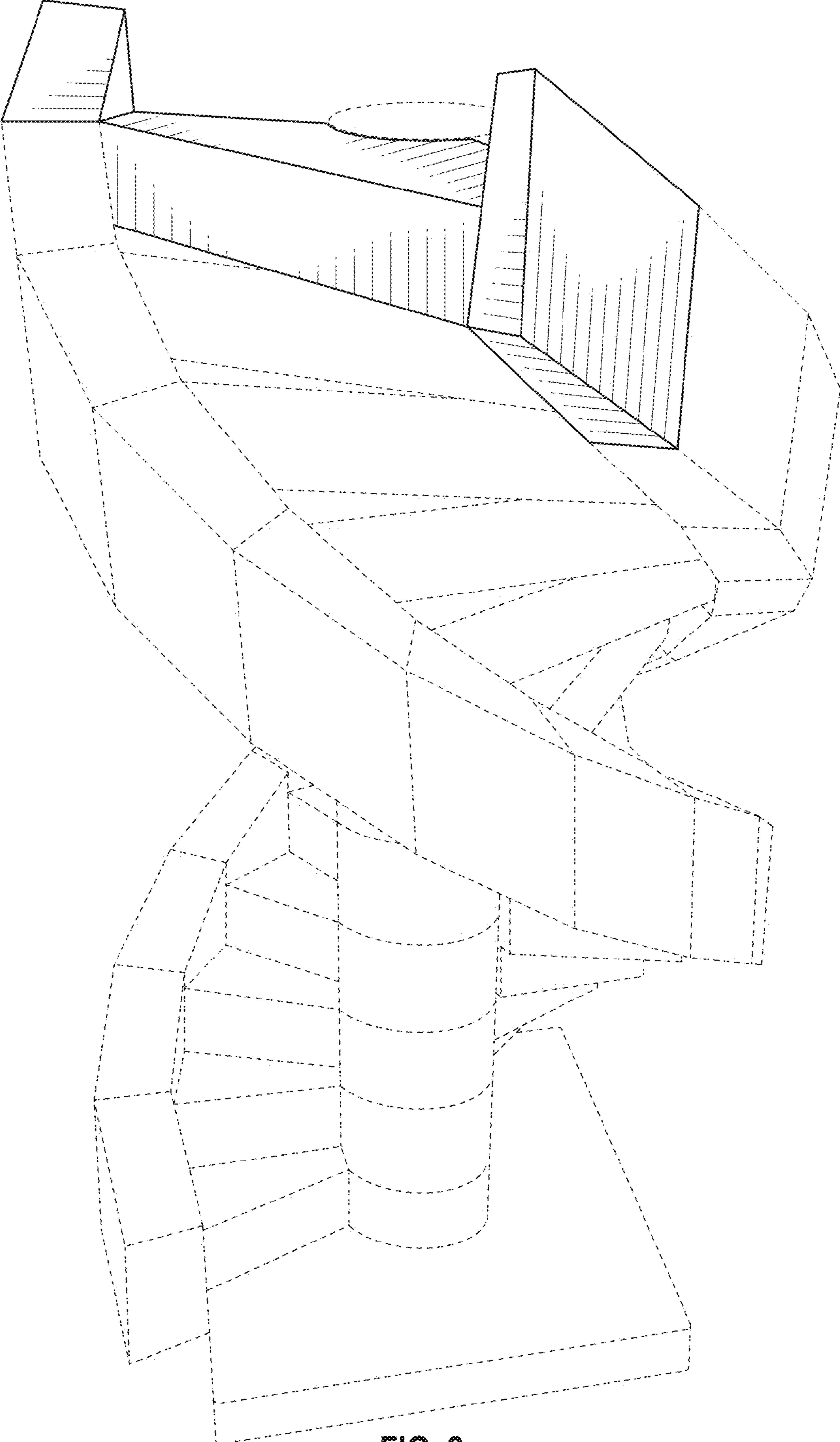


FIG. 8