



US00D979796S

(12) **United States Design Patent**
Carrière et al.

(10) **Patent No.:** **US D979,796 S**

(45) **Date of Patent:** **** Feb. 28, 2023**

(54) **SPA STEP**

(71) Applicant: **CPA POOL PRODUCTS, INC.**,
Blainville (CA)

(72) Inventors: **William Carrière**, Pointe-Claire (CA);
Amiel Lapalme, Montreal (CA);
Angela D'Antonio, Blainville (CA)

(73) Assignee: **CPA POOL PRODUCTS, INC.**,
Blainville (CA)

(**) Term: **15 Years**

(21) Appl. No.: **29/800,503**

(22) Filed: **Jul. 21, 2021**

(51) **LOC (14) Cl.** **25-04**

(52) **U.S. Cl.**
USPC **D25/63; D25/62; D25/65**

(58) **Field of Classification Search**
USPC D6/334-365, 691, 692, 698, 700, 707,
D6/708, 716; D25/62, 63, 65
CPC A47C 12/00; A47C 13/00; A47C 16/02;
A47C 16/03; A47C 16/04; A47K 17/02;
A47K 17/028; E04F 11/00; E04F 11/04;
E04H 4/144

See application file for complete search history.

(56) **References Cited**

U.S. PATENT DOCUMENTS

D181,560 S * 11/1967 Varnando D25/65
D212,086 S * 8/1968 Gilman D6/350

D351,739 S * 10/1994 Cannon D6/350
D430,679 S * 9/2000 Rodgers D25/63
D485,915 S * 1/2004 Robbins D25/65
D550,374 S * 9/2007 Genova D25/63
9,611,691 B1 * 4/2017 Hunter A47K 17/028
D802,347 S * 11/2017 Yoshida A47K 17/028
D6/350
D825,942 S * 8/2018 Hunter D6/350
D963,892 S * 9/2022 Greer D25/69
D964,600 S * 9/2022 Greer D25/69
2008/0029342 A1 * 2/2008 Genova E04F 11/00
182/151

* cited by examiner

Primary Examiner — T Chase Nelson

Assistant Examiner — Sydney Margaret Parsley

(74) *Attorney, Agent, or Firm* — Hodgson Russ LLP

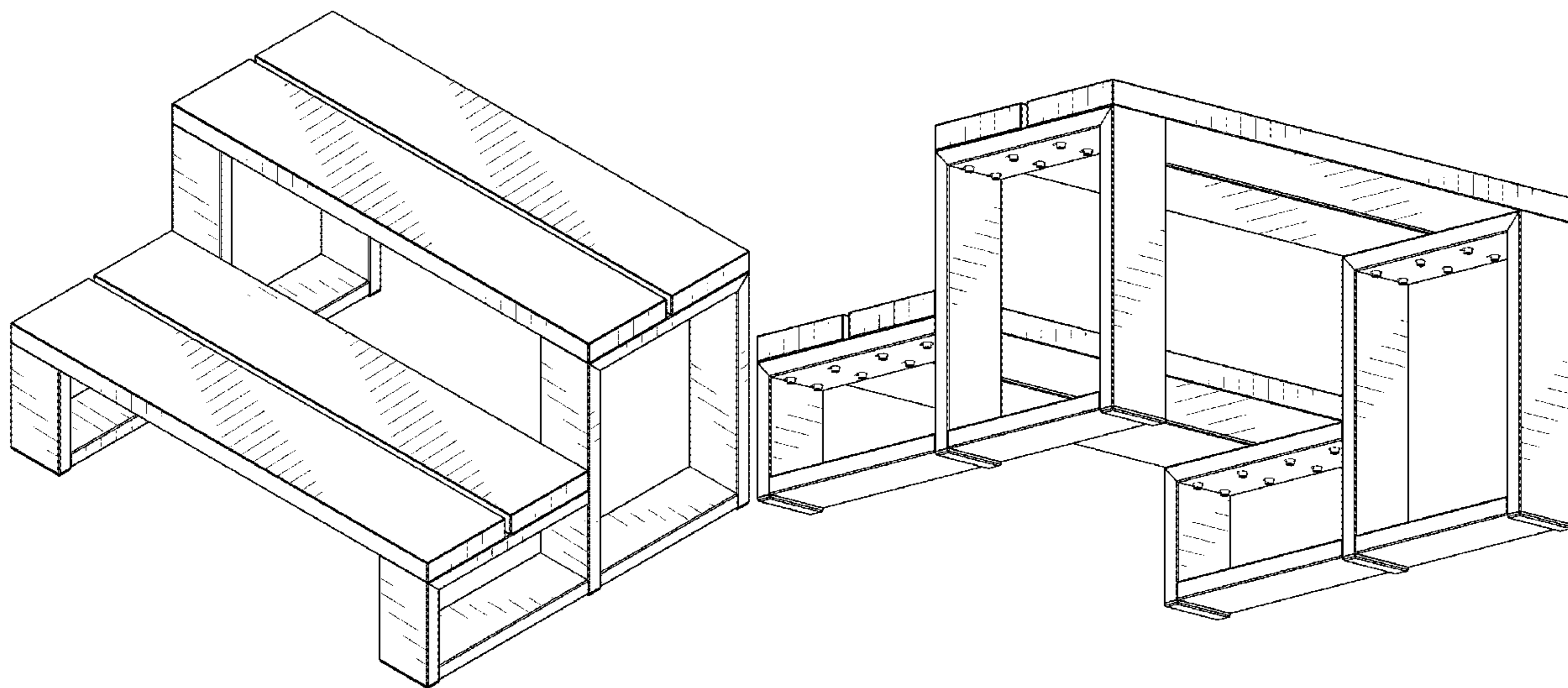
(57) **CLAIM**

The ornamental design for a spa step, as shown and described.

DESCRIPTION

FIG. 1 is a front-top-right perspective view of a spa step, showing our new design;
FIG. 2 is a rear-top-right perspective view thereof;
FIG. 3 is a rear-bottom-right perspective view thereof;
FIG. 4 is a front elevation view thereof;
FIG. 5 is a rear elevation view thereof;
FIG. 6 is a right side elevation view thereof;
FIG. 7 is a left side elevation view thereof;
FIG. 8 is a top plan view thereof; and,
FIG. 9 is a bottom plan view thereof.

1 Claim, 6 Drawing Sheets



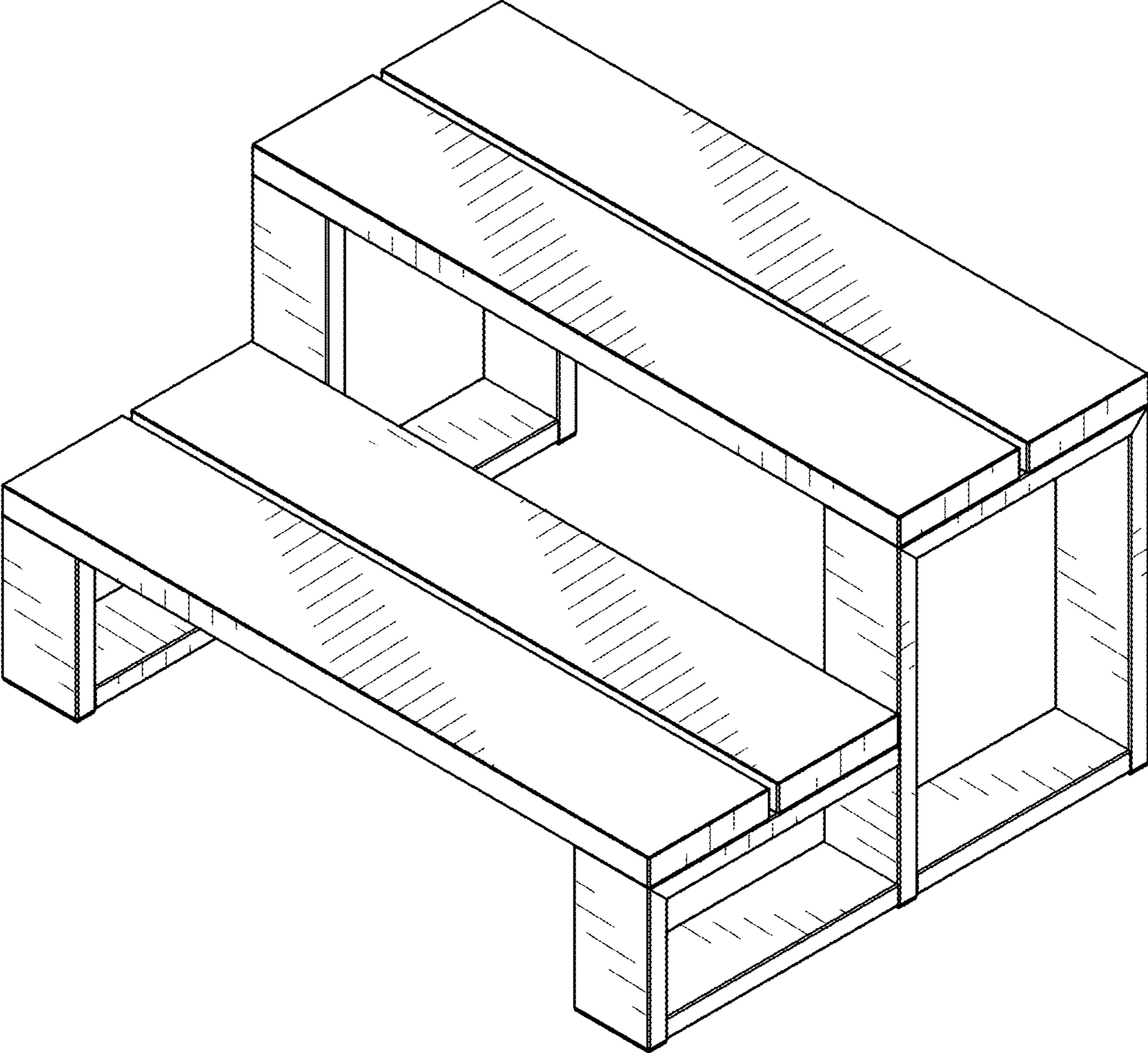


FIG. 1

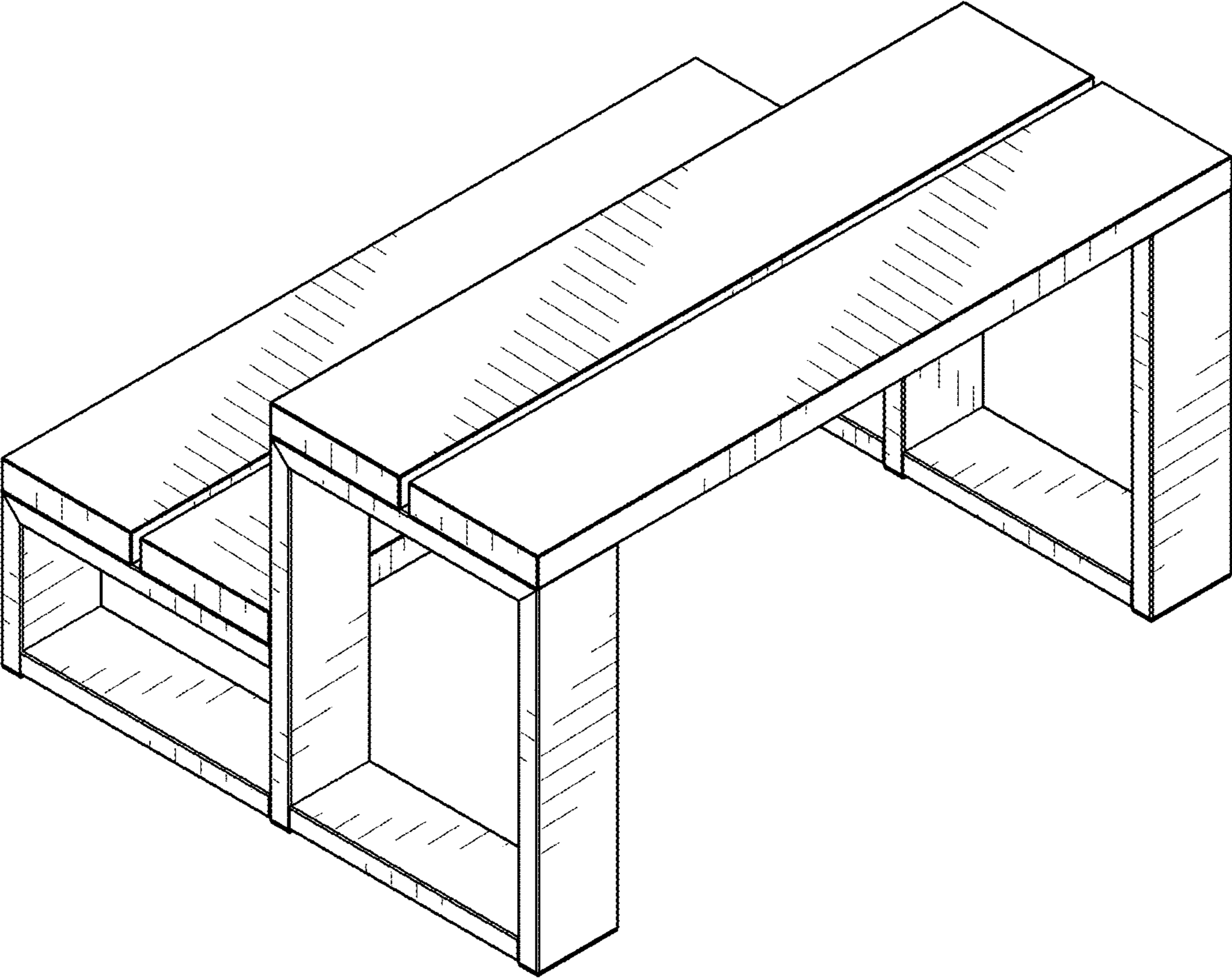


FIG. 2

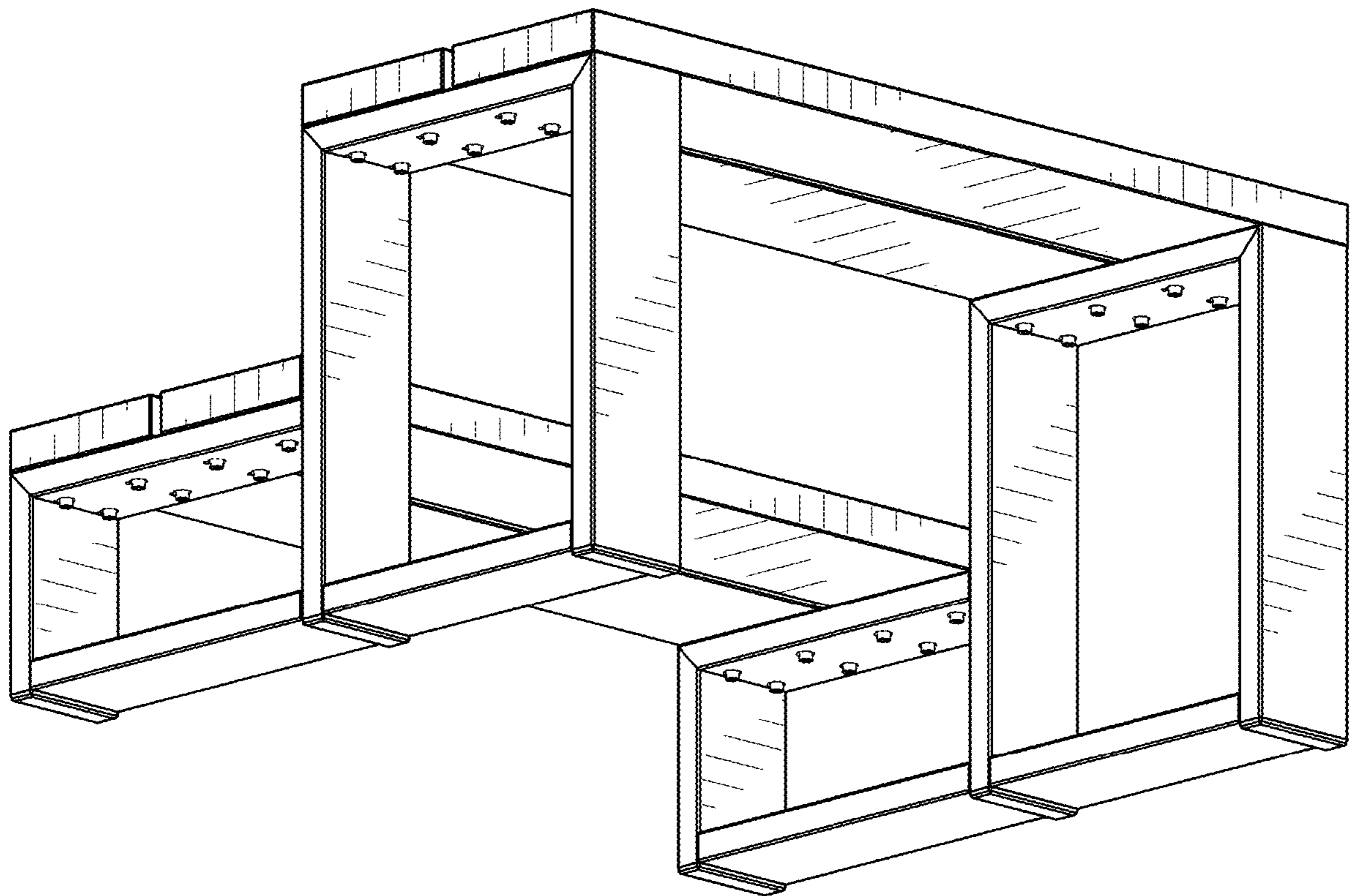


FIG. 3

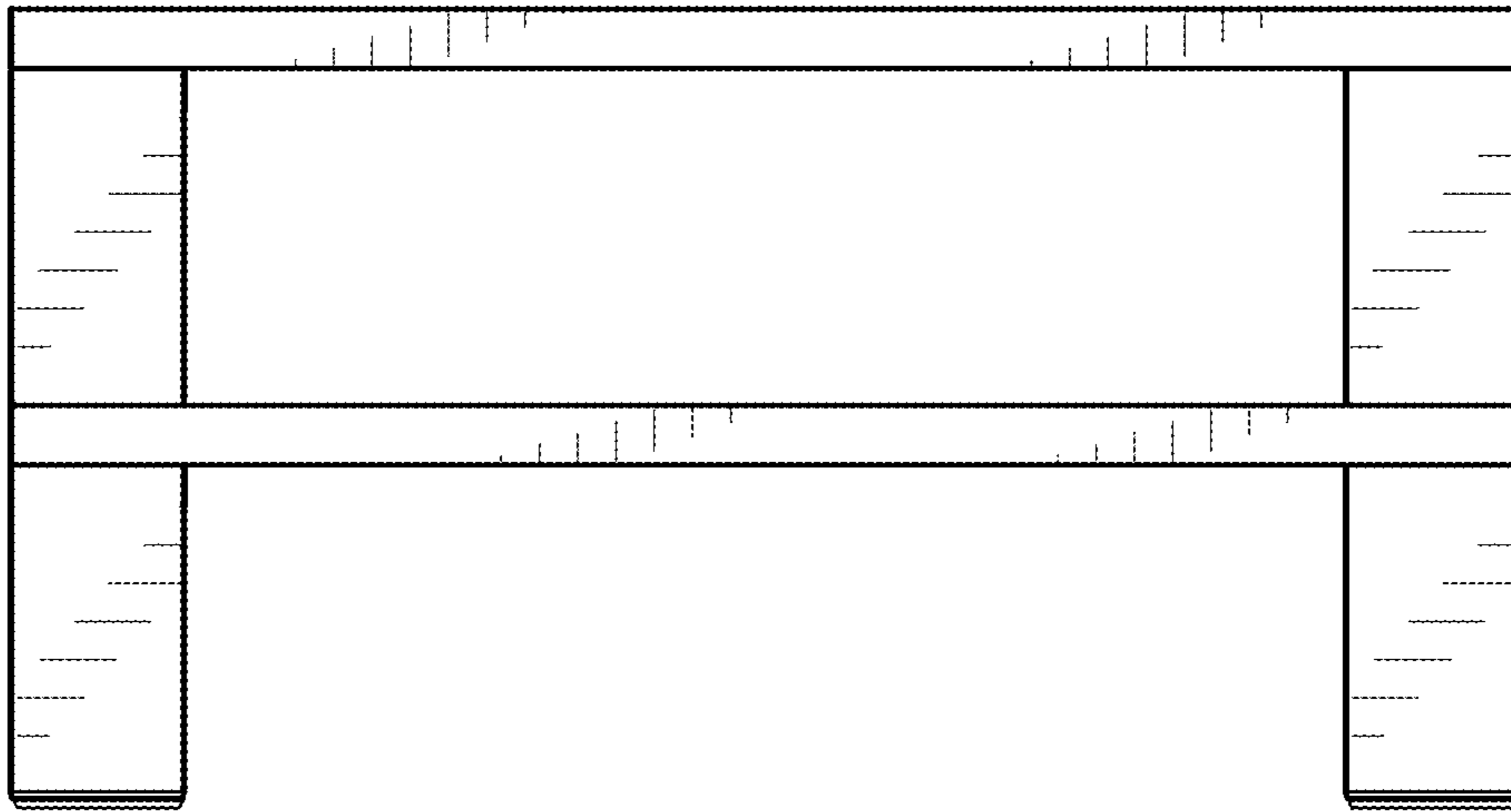


FIG. 4

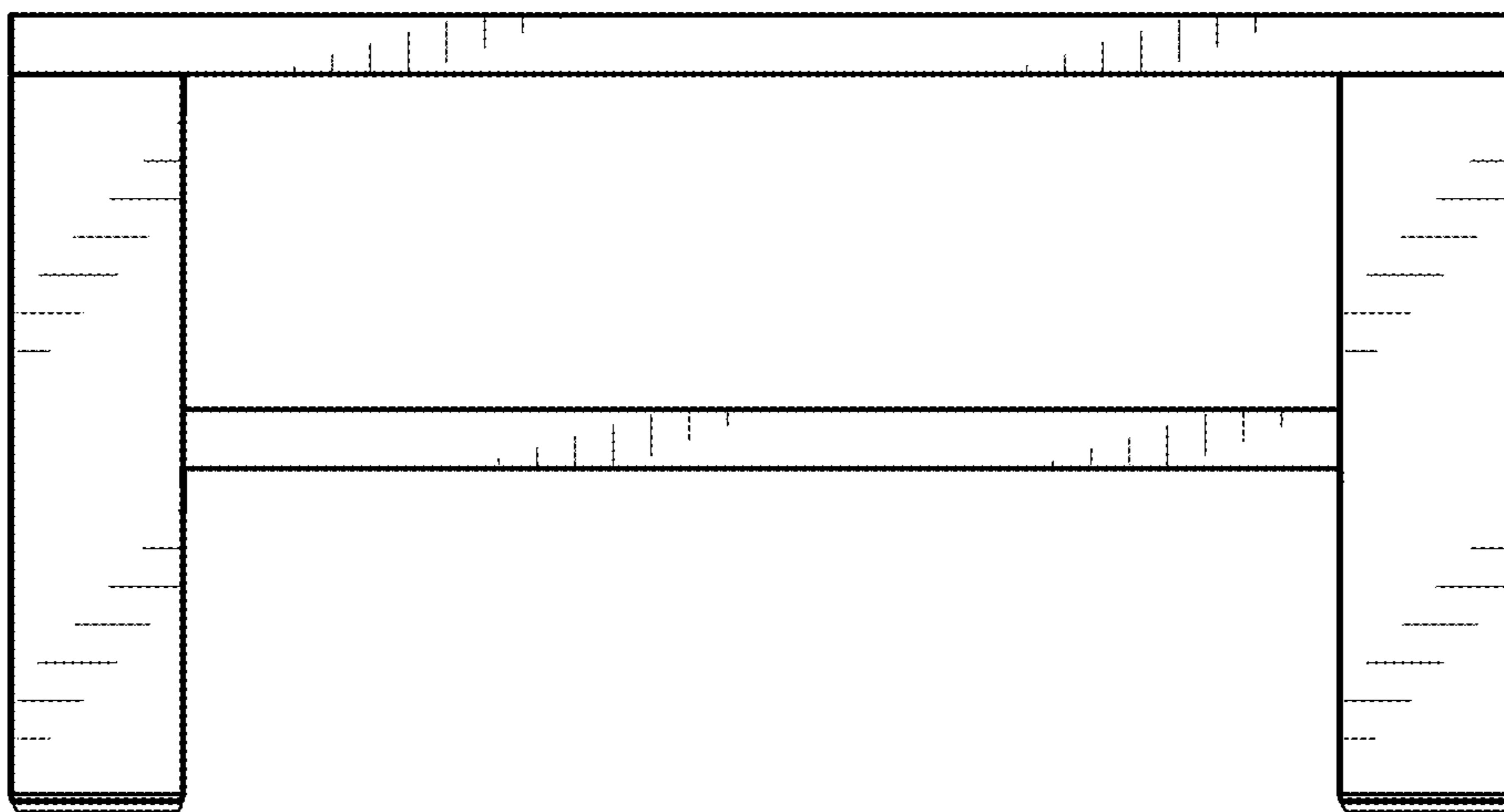


FIG. 5

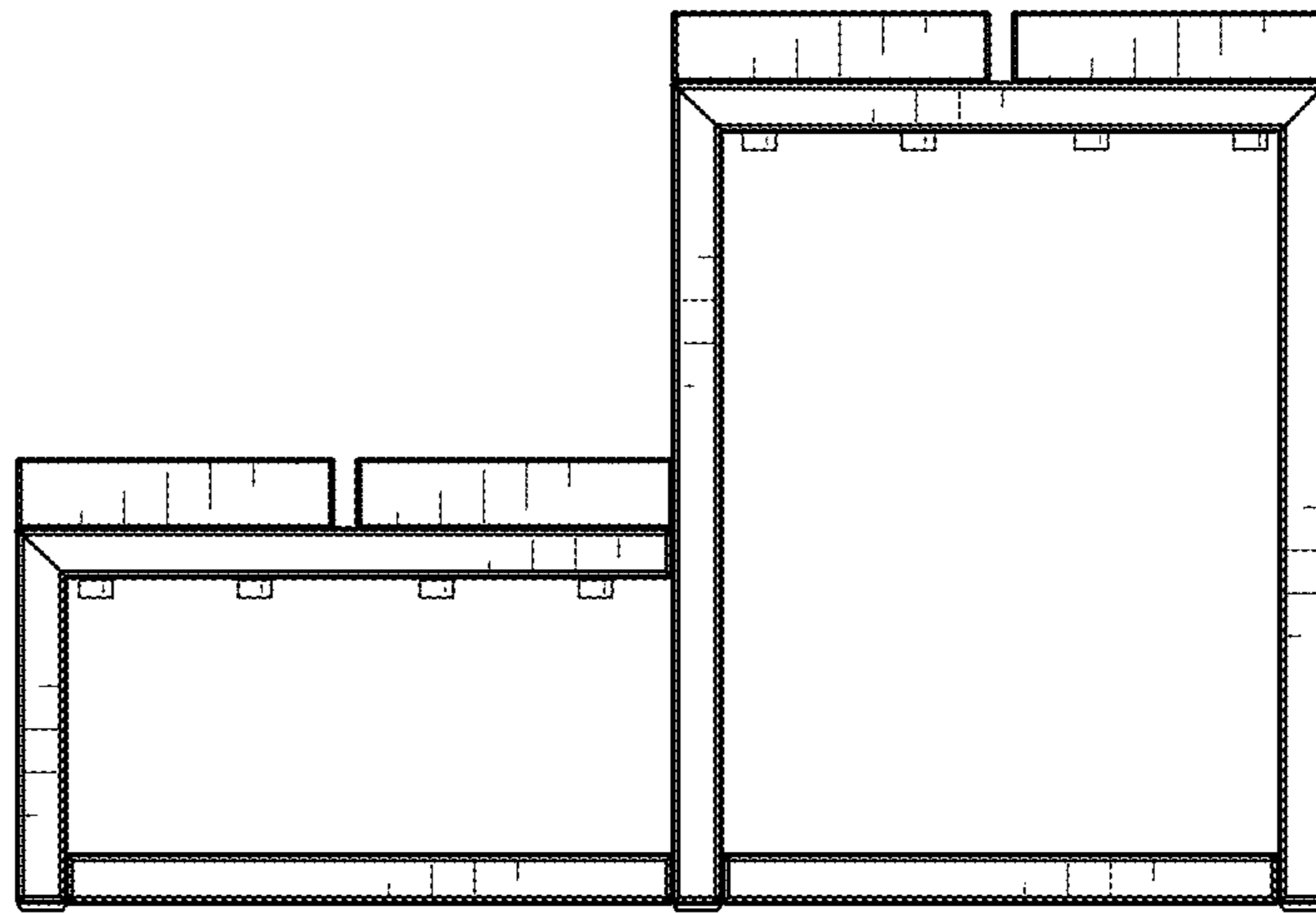


FIG. 6

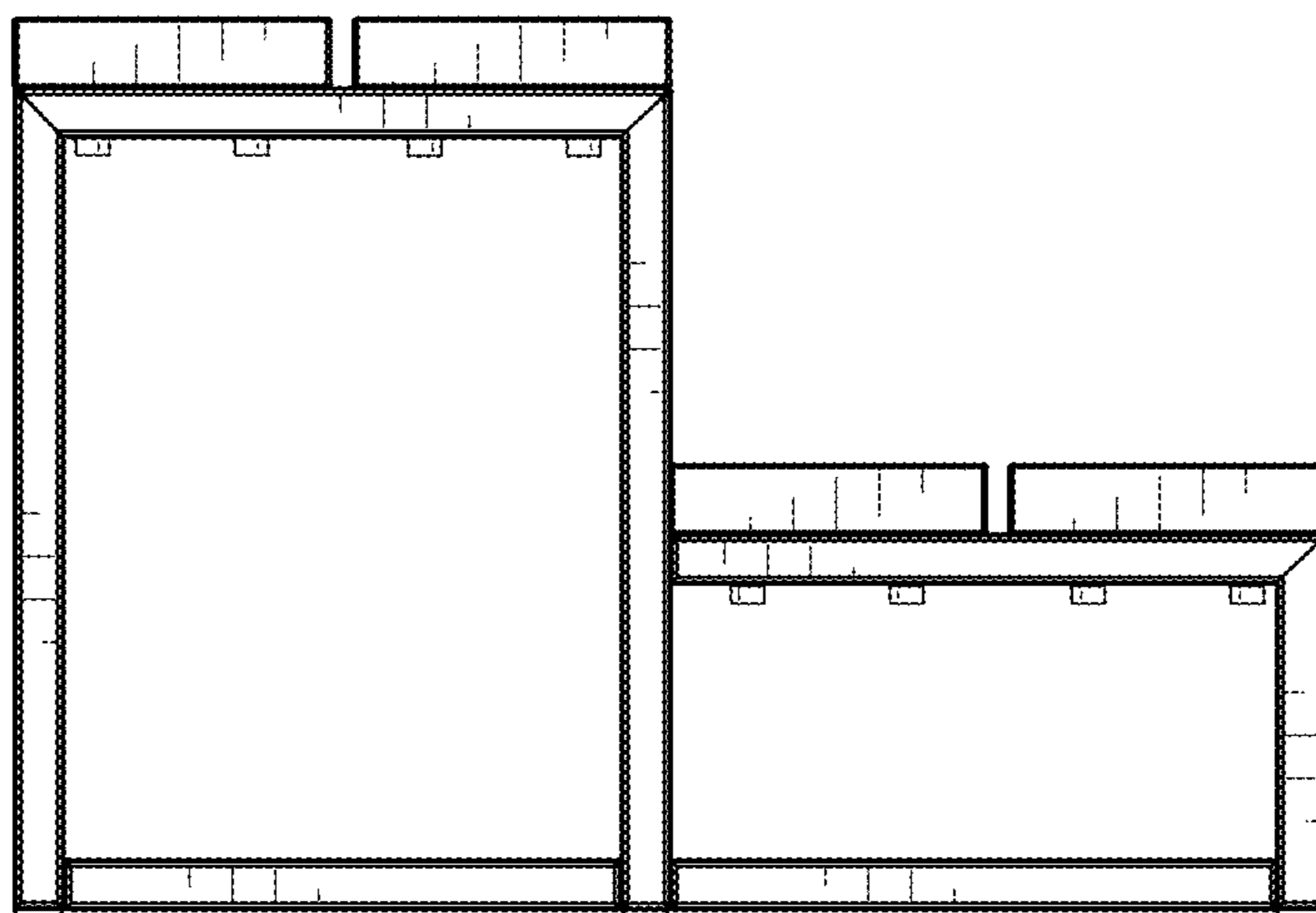


FIG. 7

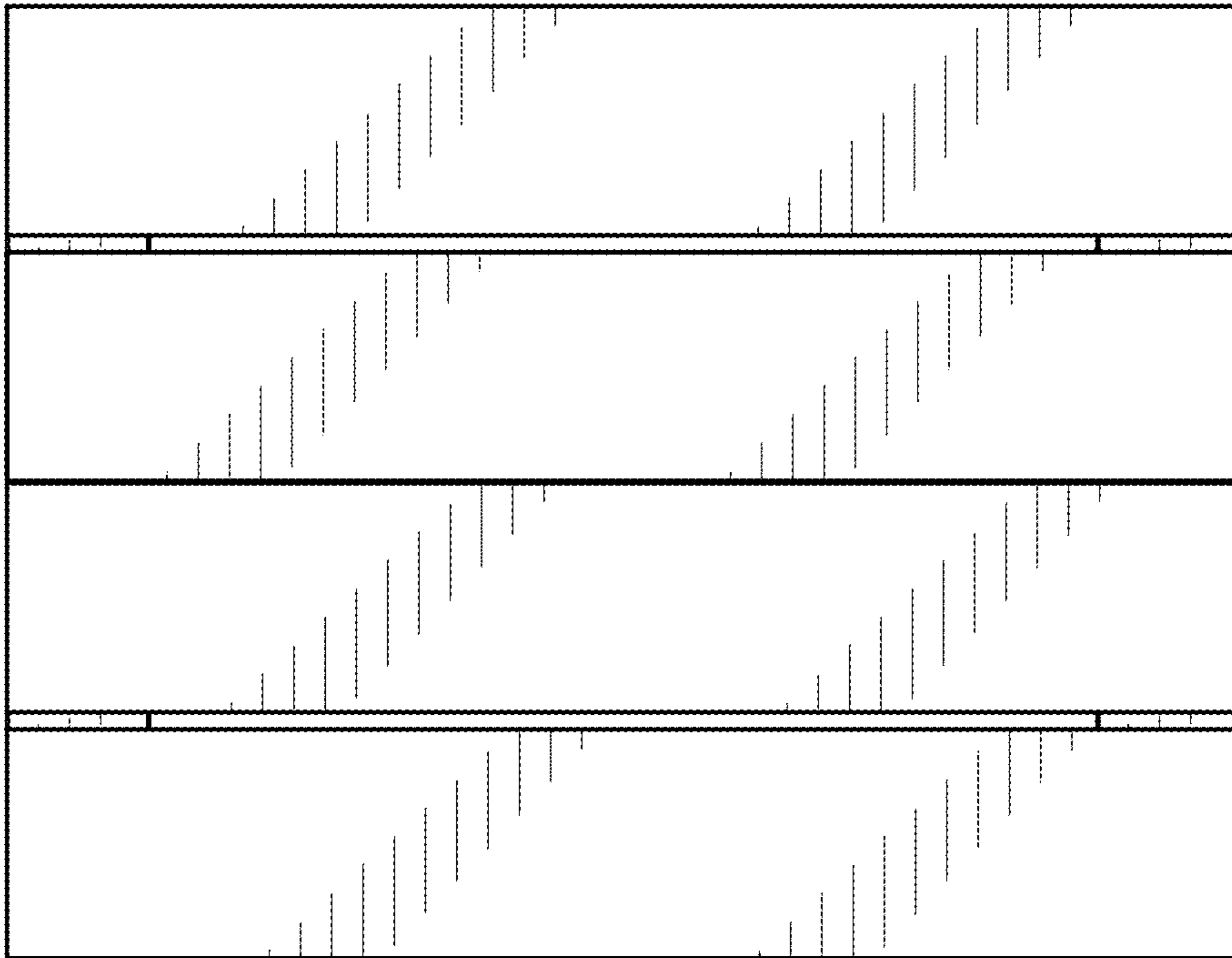


FIG. 8

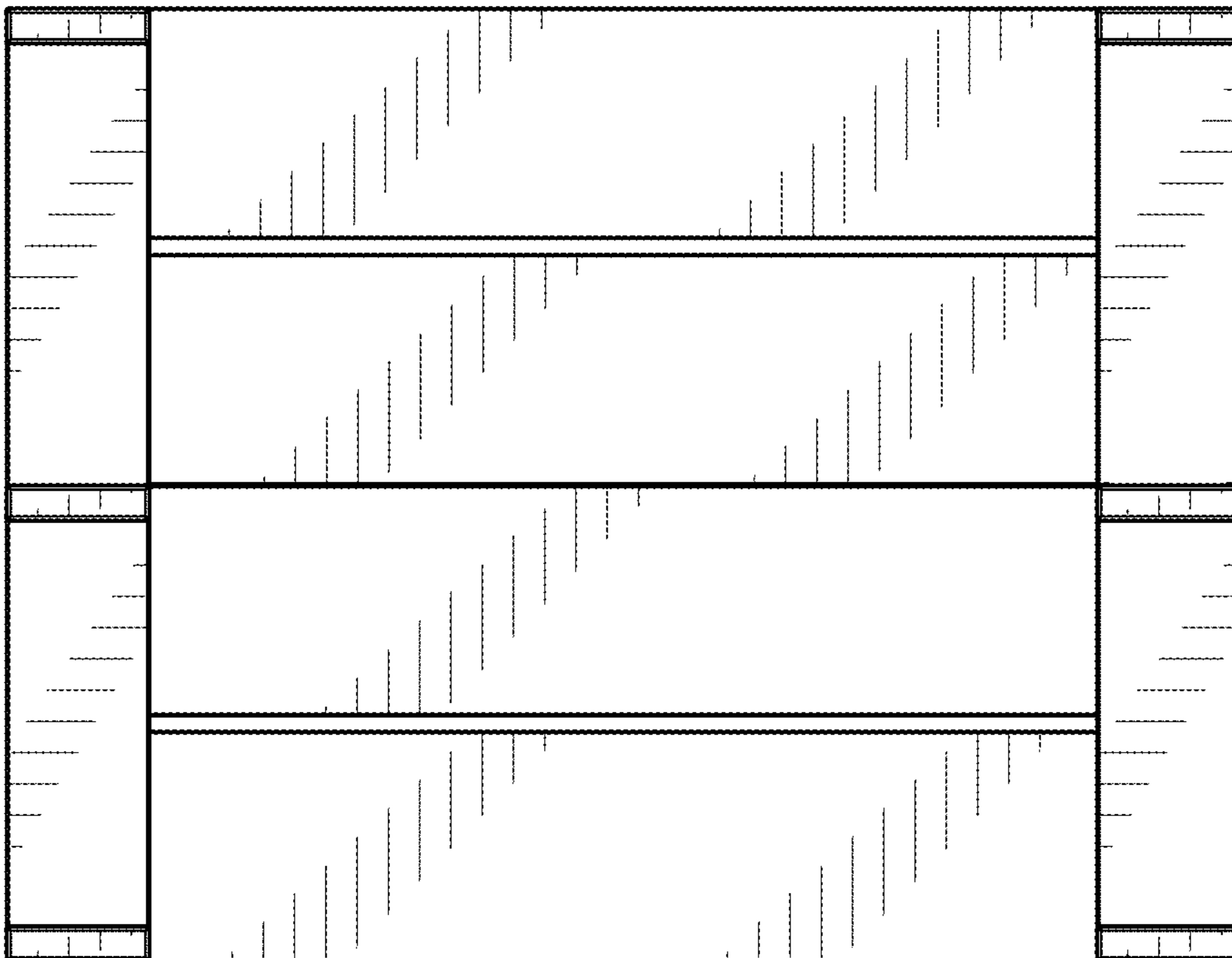


FIG. 9