



US00D979794S

(12) **United States Design Patent**
Lamoureux

(10) **Patent No.:** **US D979,794 S**

(45) **Date of Patent:** **** Feb. 28, 2023**

(54) **THERAPEUTIC APPARATUS**

(71) Applicant: **NWT Management GmbH**, Taucha (DE)

(72) Inventor: **Bruno Lamoureux**, Taucha (DE)

(73) Assignee: **NWT Management GmbH**, Taucha (DE)

(**) Term: **15 Years**

(21) Appl. No.: **35/511,393**

(22) Filed: **Aug. 19, 2020**

(80) **Hague Agreement Data**

Int. Filing Date: **Aug. 19, 2020**

Int. Reg. No.: **DM/210086**

Int. Reg. Date: **Aug. 19, 2020**

Int. Reg. Pub. Date: **Feb. 19, 2021**

(30) **Foreign Application Priority Data**

Feb. 24, 2020 (DE) 402020100182.1

(51) **LOC (14) Cl.** **24-01**

(52) **U.S. Cl.**
USPC **D24/232**

(58) **Field of Classification Search**
USPC D3/240, 201, 203.1, 203.6–203.8;
D24/188, 200, 232

CPC A61M 16/00
See application file for complete search history.

(56) **References Cited**

U.S. PATENT DOCUMENTS

D96,682 S * 8/1935 Lending D3/240
D107,764 S * 1/1938 Felmann A61M 16/0057
D3/240
D109,534 S * 5/1938 Robbins 150/117
D120,126 S * 4/1940 Lewis D3/240
D131,188 S * 1/1942 Lewis D3/240

D177,591 S * 5/1956 Robinson D3/285
3,820,566 A * 6/1974 Sundblom et al. ... A61M 16/00
137/624.14
D328,352 S * 7/1992 Futatsuka D24/232
D709,202 S * 7/2014 Lamoureux D24/185
D825,777 S * 8/2018 Quick D24/232
D888,985 S * 6/2020 Hsieh D24/232
D936,706 S * 11/2021 Swatosch A61M 16/00
D15/7
D937,560 S * 12/2021 Lateef A61M 16/022
D99/28
D957,683 S * 7/2022 Fogel D24/231
D962,473 S * 8/2022 Wu D24/232
D963,499 S * 9/2022 Blake D24/232
D964,593 S * 9/2022 Grimmel D24/232
2008/0099017 A1 * 5/2008 Bordewick A61M 16/0057
128/204.21

(Continued)

OTHER PUBLICATIONS

Youtube. NWT Version 190221—NWT GmbH Feb. 20, 2021. <https://www.youtube.com/watch?v=QjA00sfSA3Q> (Year: 2021).*

Primary Examiner — Darcey E Gottschalk

(74) *Attorney, Agent, or Firm* — Olson & Cepuritis, Ltd.

(57) **CLAIM**

The ornamental design for a therapeutic apparatus, as shown and described.

DESCRIPTION

3. Therapeutic apparatus

3.1 : Bottom

3.2 : Front

3.3 : Perspective

3.4 : Perspective

3.5 : Left

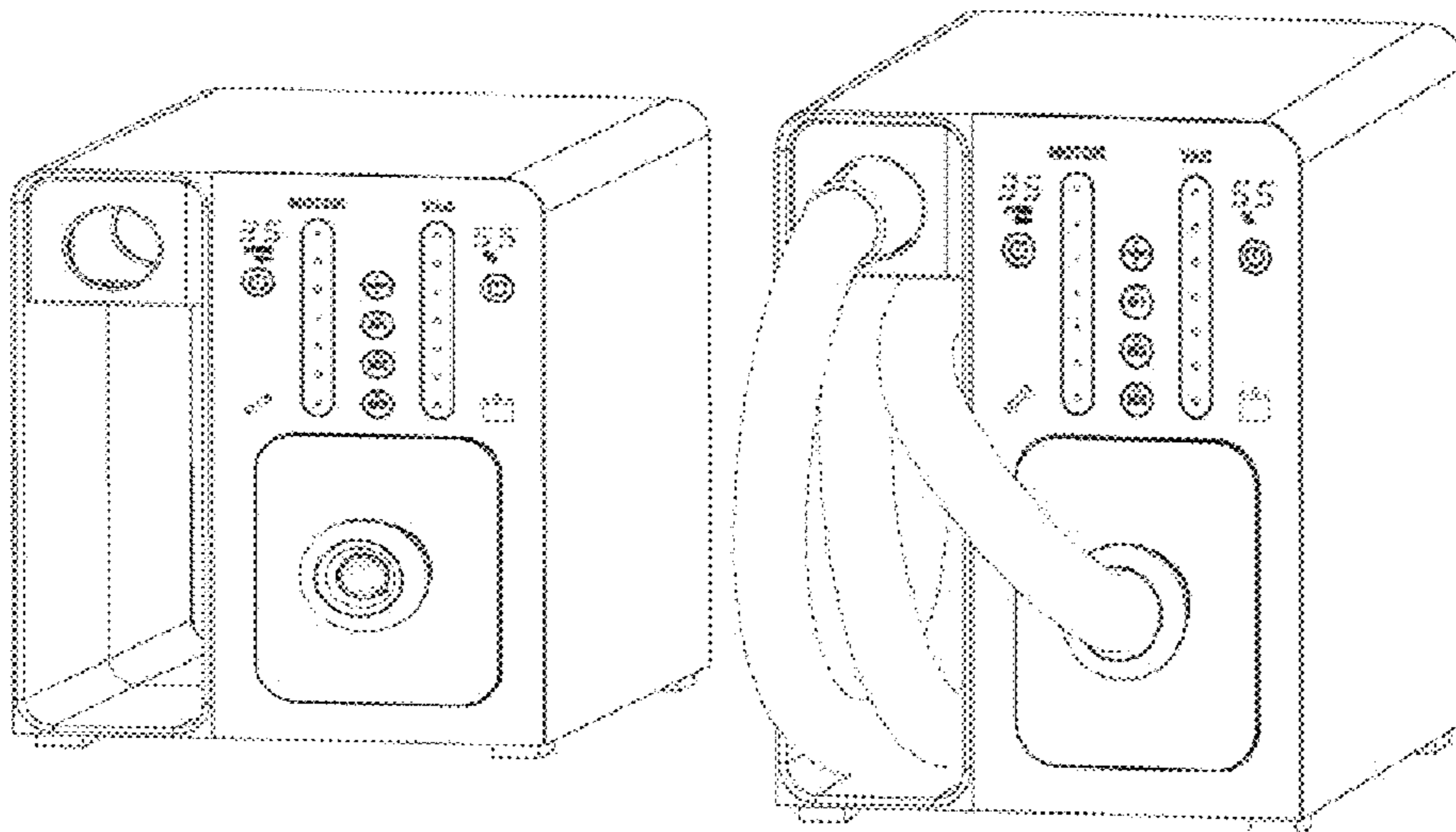
3.6 : Back

3.7 : Right

3.8 : Top

In the drawings, the broken lines show portions of the therapeutic apparatus that form no part of the claim.

1 Claim, 8 Drawing Sheets



(56)

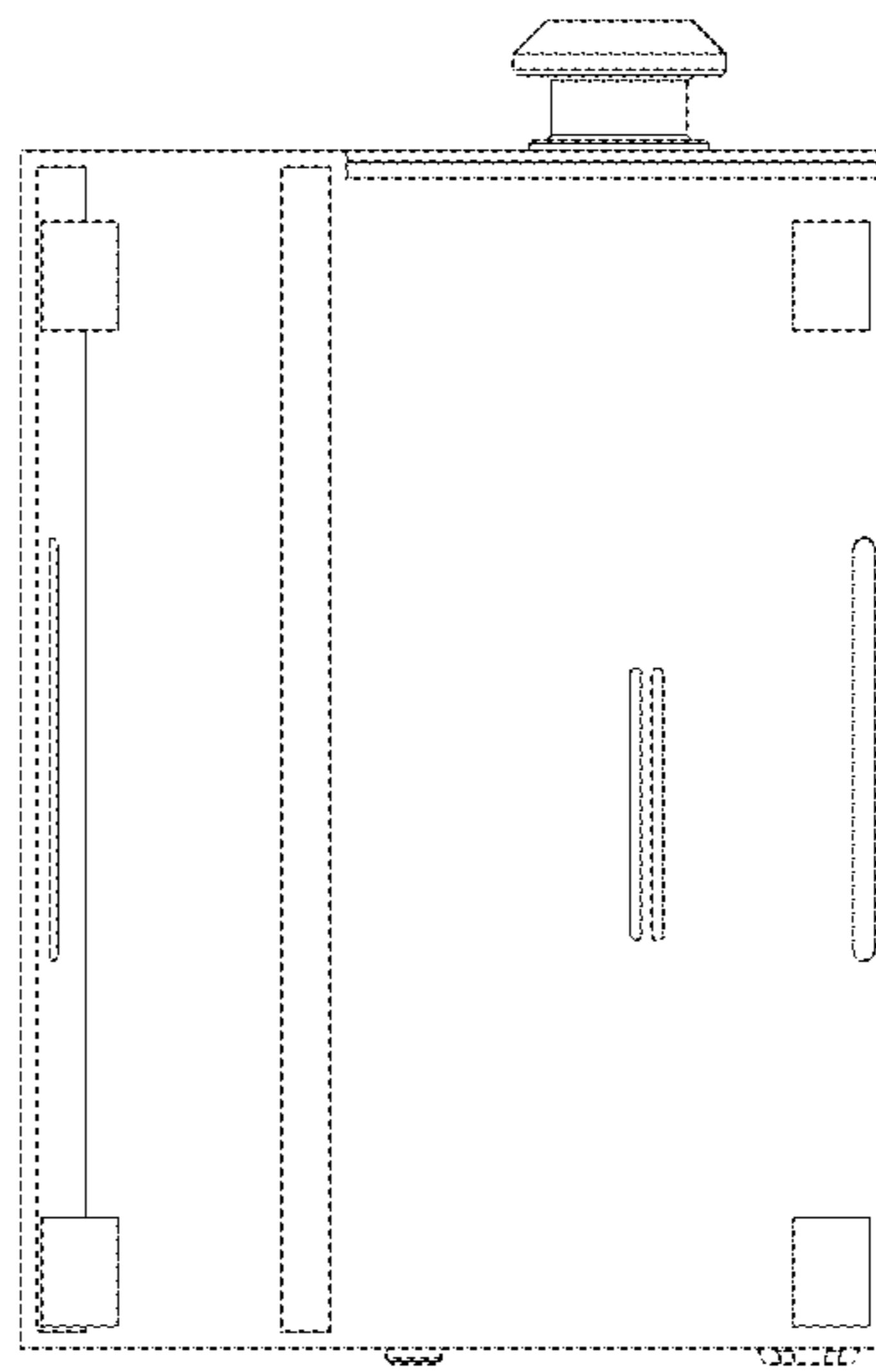
References Cited

U.S. PATENT DOCUMENTS

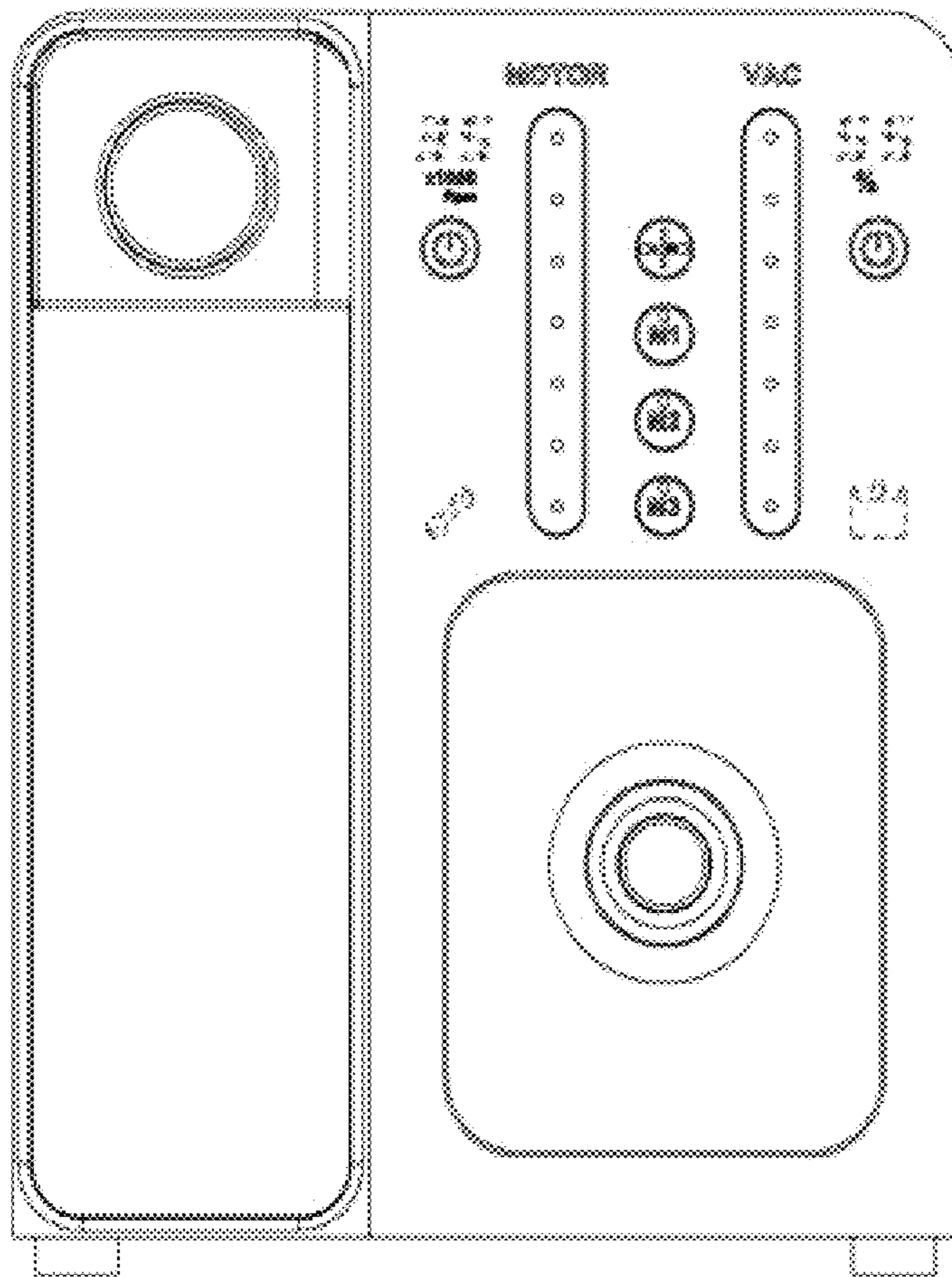
2011/0184253 A1* 7/2011 Archer A61M 16/022
128/202.16

* cited by examiner

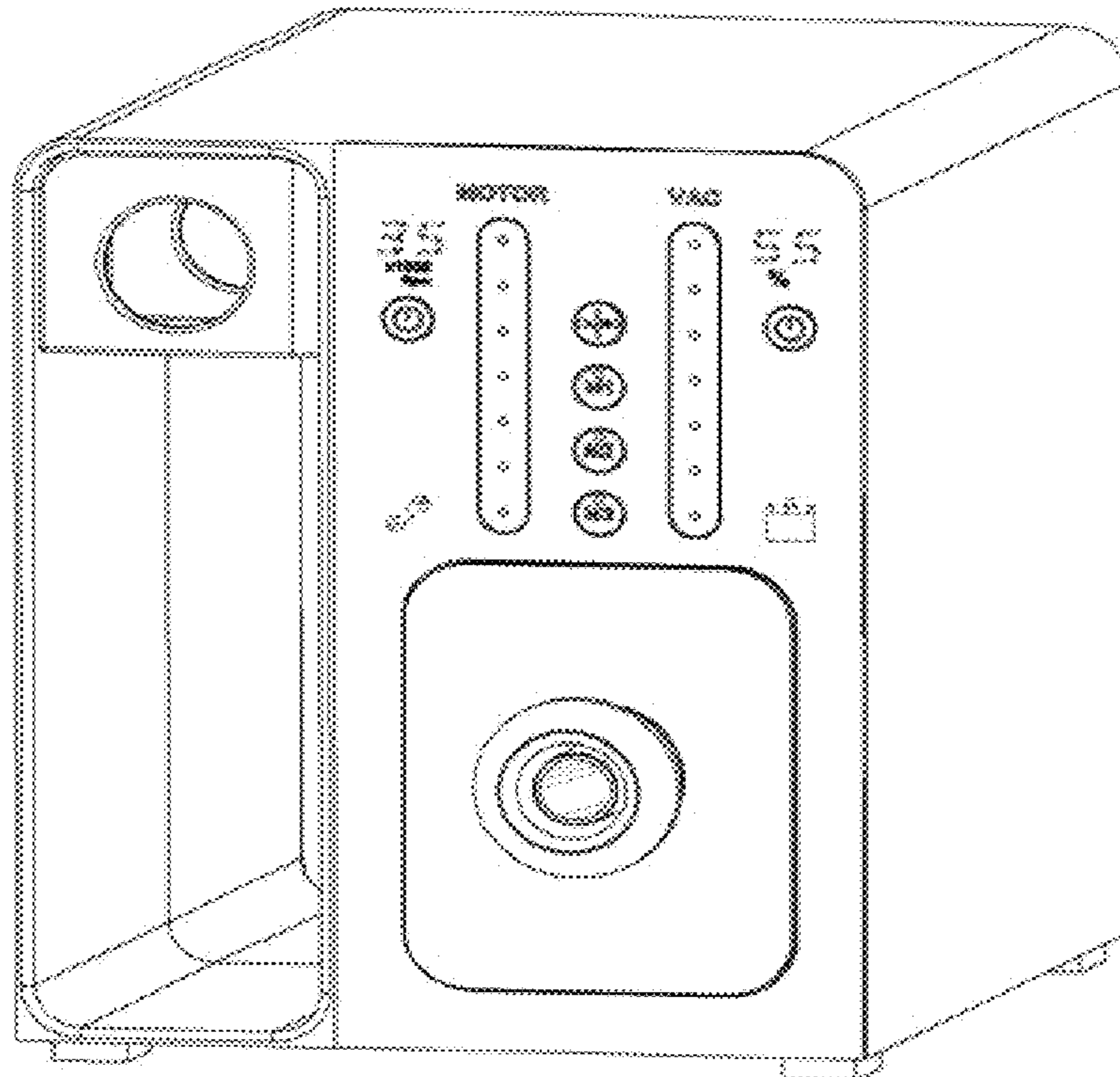
3.1



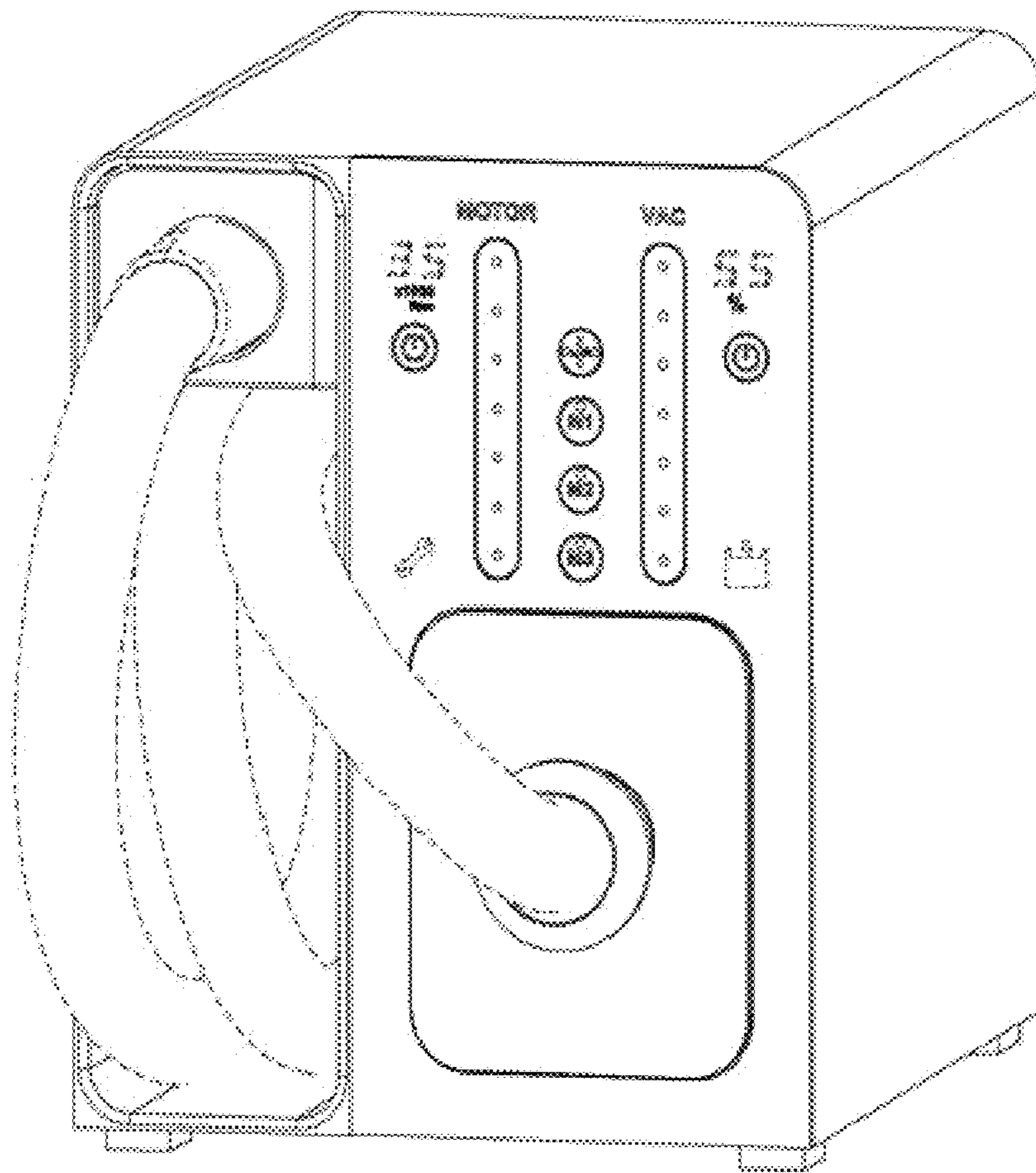
3.2



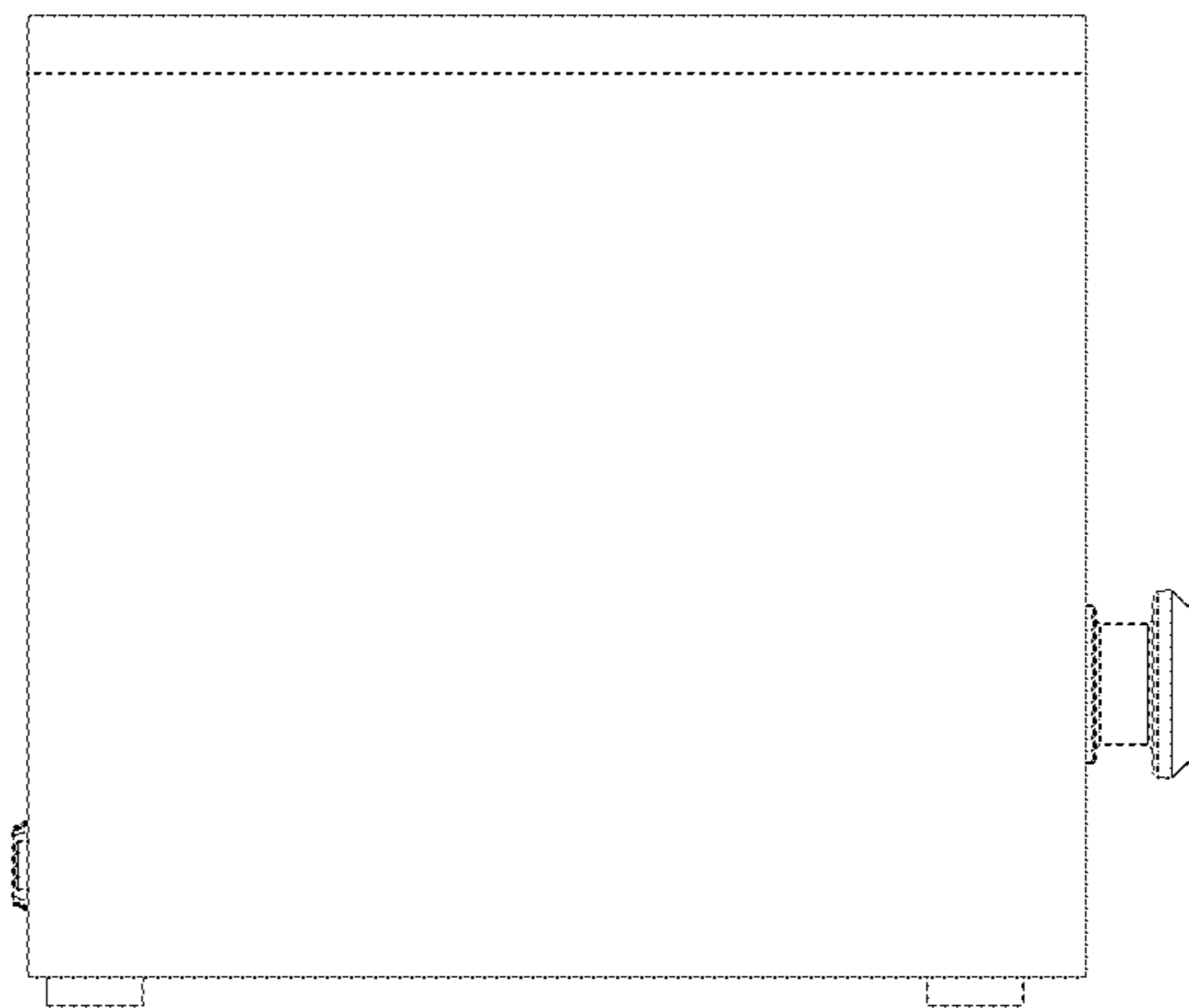
3.3



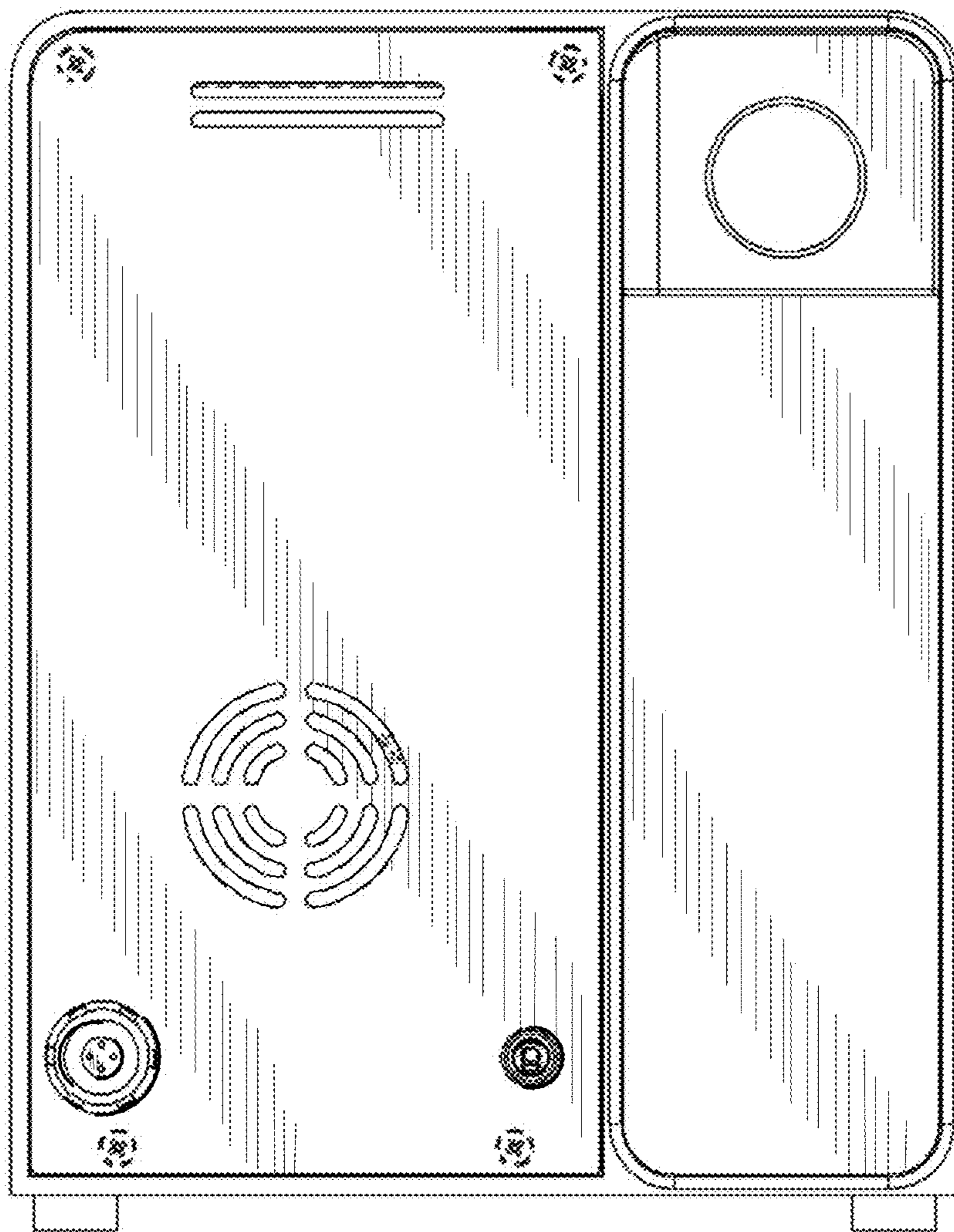
3.4



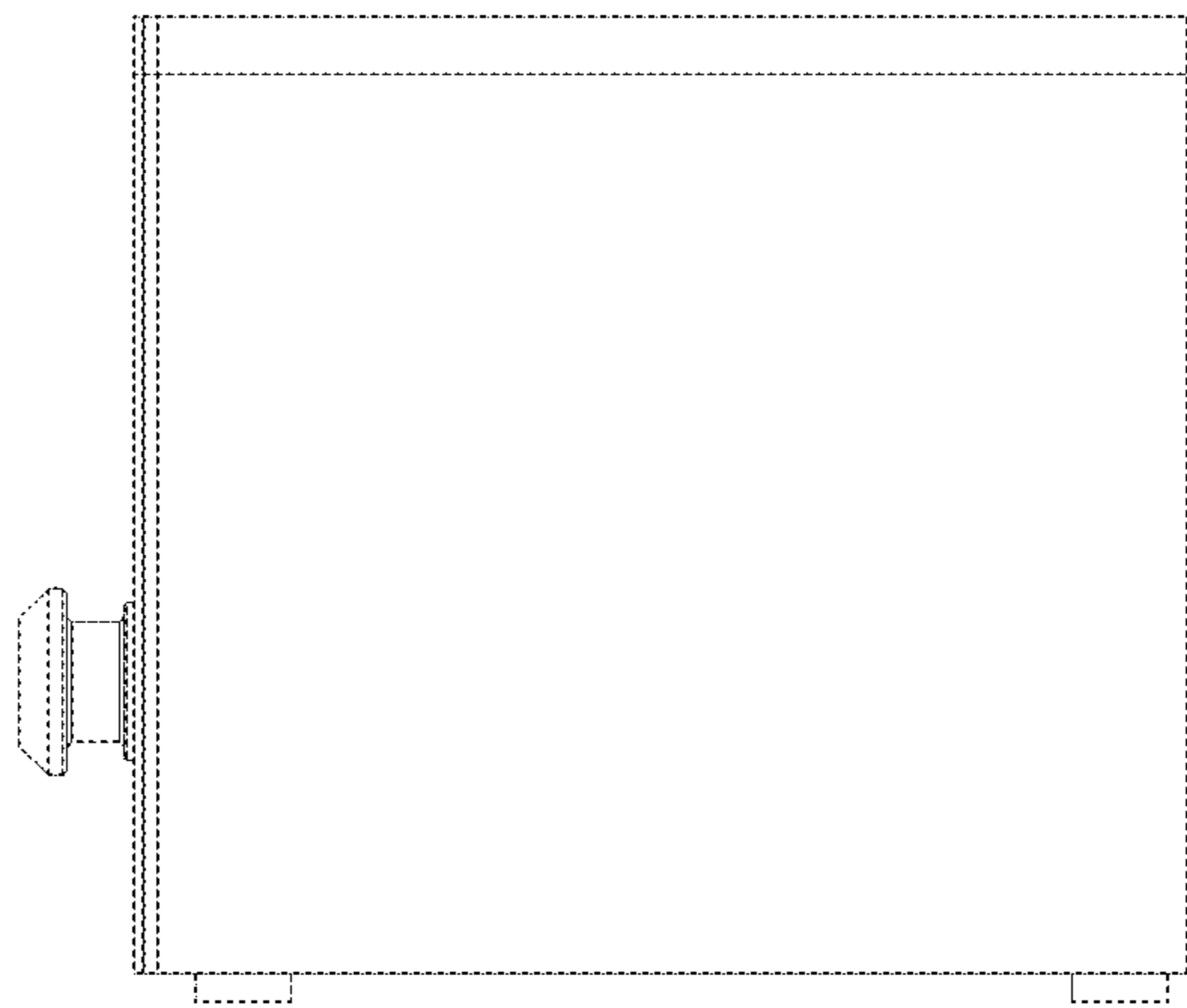
3.5



3.6



3.7



3.8

