



US00D979793S

(12) **United States Design Patent** (10) **Patent No.:** **US D979,793 S**
Fang (45) **Date of Patent:** **** Feb. 28, 2023**

- (54) **EXTRACTION TUBE HOLDER**
- (71) Applicant: **Zhejiang Orient Gene Biotech Co., Ltd, Zhejiang (CN)**
- (72) Inventor: **Jianqiu Fang, Zhejiang (CN)**
- (73) Assignee: **Zhejiang Orient Gene Biotech Co., Ltd, Anji Huzhou (CN)**
- (**) Term: **15 Years**
- (21) Appl. No.: **29/797,363**
- (22) Filed: **Jun. 30, 2021**
- (30) **Foreign Application Priority Data**
Mar. 18, 2021 (CN) 202130145414.4
- (51) **LOC (14) Cl.** **24-02**
- (52) **U.S. Cl.**
USPC **D24/227**
- (58) **Field of Classification Search**
USPC D24/112-114, 127-130, 131, 186, 199, D24/207, 224, 226, 227
CPC A61M 5/008; A61M 5/002; A61J 1/16; A61J 1/06
See application file for complete search history.

11,305,055	B1 *	4/2022	Peters	A61M 5/008
11,305,291	B2 *	4/2022	Tuma	G01N 35/026
D952,839	S *	5/2022	Ho	D24/128
D954,985	S *	6/2022	Grayson	D24/224
2014/0197120	A1 *	7/2014	Seiwell	A61M 5/008 211/85.13

(Continued)

FOREIGN PATENT DOCUMENTS

CN	307550799	*	9/2022
GB	6121114	*	2/2021

OTHER PUBLICATIONS

Hopkins 3-Pocket Zippered Tote, Hopkins Medical, hopkinsmedicalproducts.com, [Post date unknown], [Site seen Oct. 6, 2022], Seen at URL: <https://www.hopkinsmedicalproducts.com/product/Hopkins-Tote-3-Pocket-600D-HMP?option=530793> (Year: 2022).*

(Continued)

Primary Examiner — Natasha Vujcic
Assistant Examiner — Gilbert B Ford
(74) *Attorney, Agent, or Firm* — NZ Carr Law Office

(57) **CLAIM**

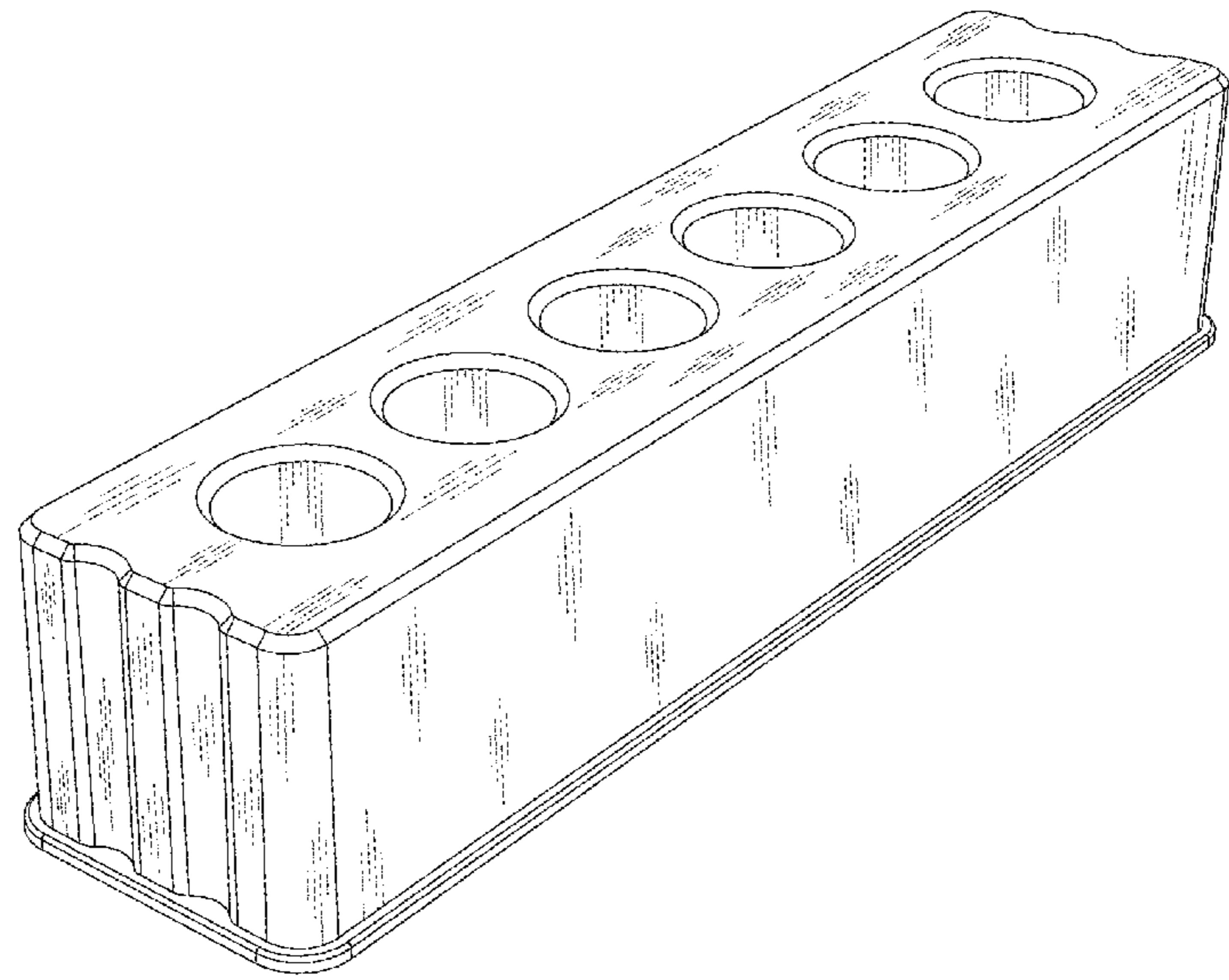
I claim, the ornamental design for an extraction tube holder, as shown and described.

DESCRIPTION

FIG. 1 is a top front perspective view of an extraction tube holder of our design;
FIG. 2 is a bottom rear perspective view thereof;
FIG. 3 is a front side view thereof;
FIG. 4 is a rear side view thereof;
FIG. 5 is a left view thereof;
FIG. 6 is a right view thereof;
FIG. 7 is a top view thereof; and,
FIG. 8 is a bottom view thereof.

1 Claim, 8 Drawing Sheets

- (56) **References Cited**
U.S. PATENT DOCUMENTS
4,090,850 A * 5/1978 Chen B01L 3/5025
422/535
D285,344 S * 8/1986 Olson D24/127
7,867,444 B2 * 1/2011 Testrut G01N 35/0099
422/65
D735,881 S * 8/2015 Thomas D24/227
D770,042 S * 10/2016 Christensen D24/128
D787,087 S * 5/2017 Duffy D24/227
D877,899 S * 3/2020 Shepherd D24/128
D932,052 S * 9/2021 Zergiebel D24/227
D935,607 S * 11/2021 Yoo D24/128



(56)

References Cited

U.S. PATENT DOCUMENTS

2015/0238686 A1* 8/2015 Mohyi A61M 5/008
206/364
2020/0269256 A1* 8/2020 Ho A61K 9/0019
2021/0220547 A1* 7/2021 Sonoyama A61M 5/008

OTHER PUBLICATIONS

Handy Tube Holder, Hopkins Medical, hopkinsmedicalproducts.com, [Post date unknown], [Site seen Oct. 6, 2022], Seen at URL: <https://www.hopkinsmedicalproducts.com/product/Handy-Tube-Holder-HM2500> (Year: 2022).*

* cited by examiner

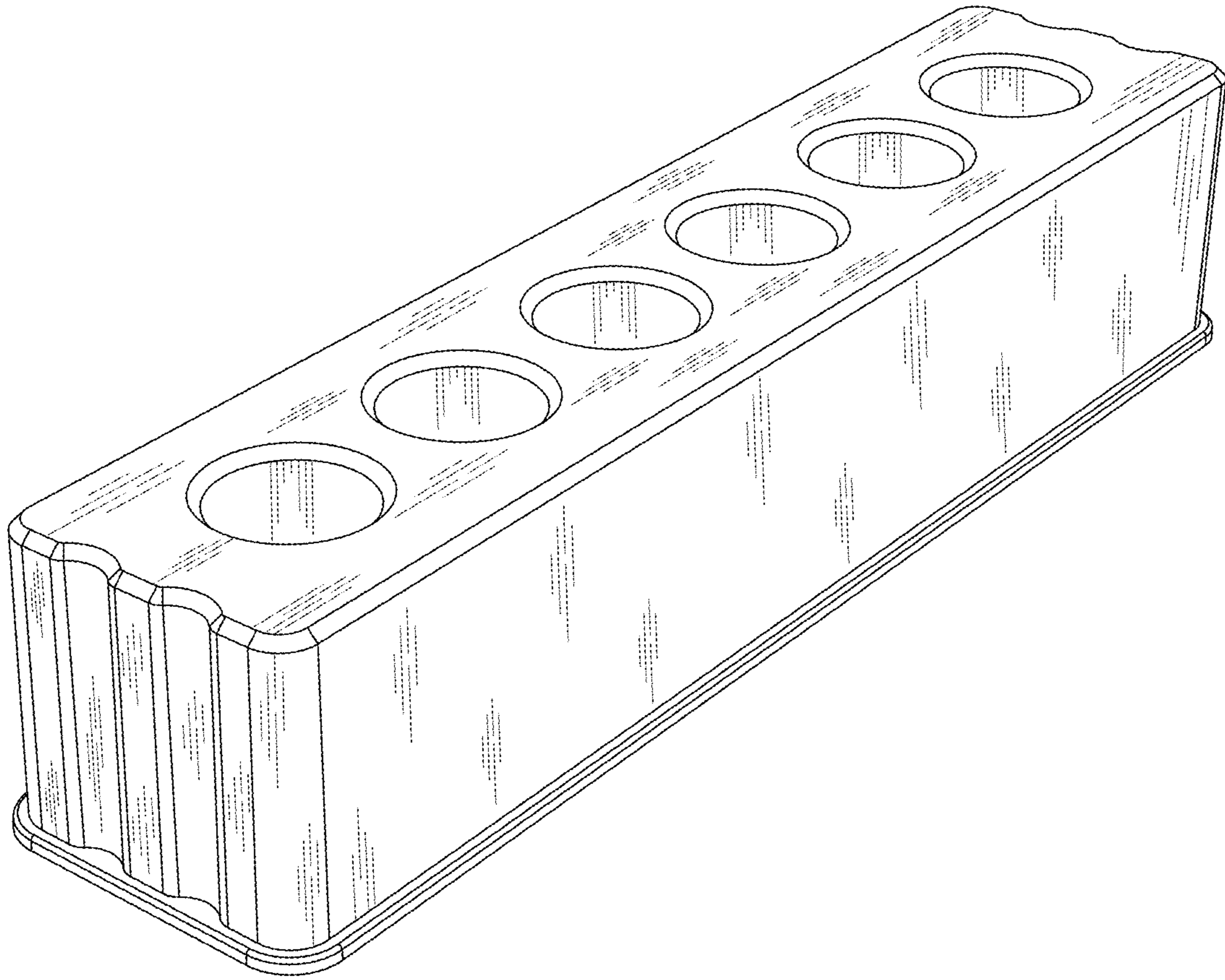


FIG.1

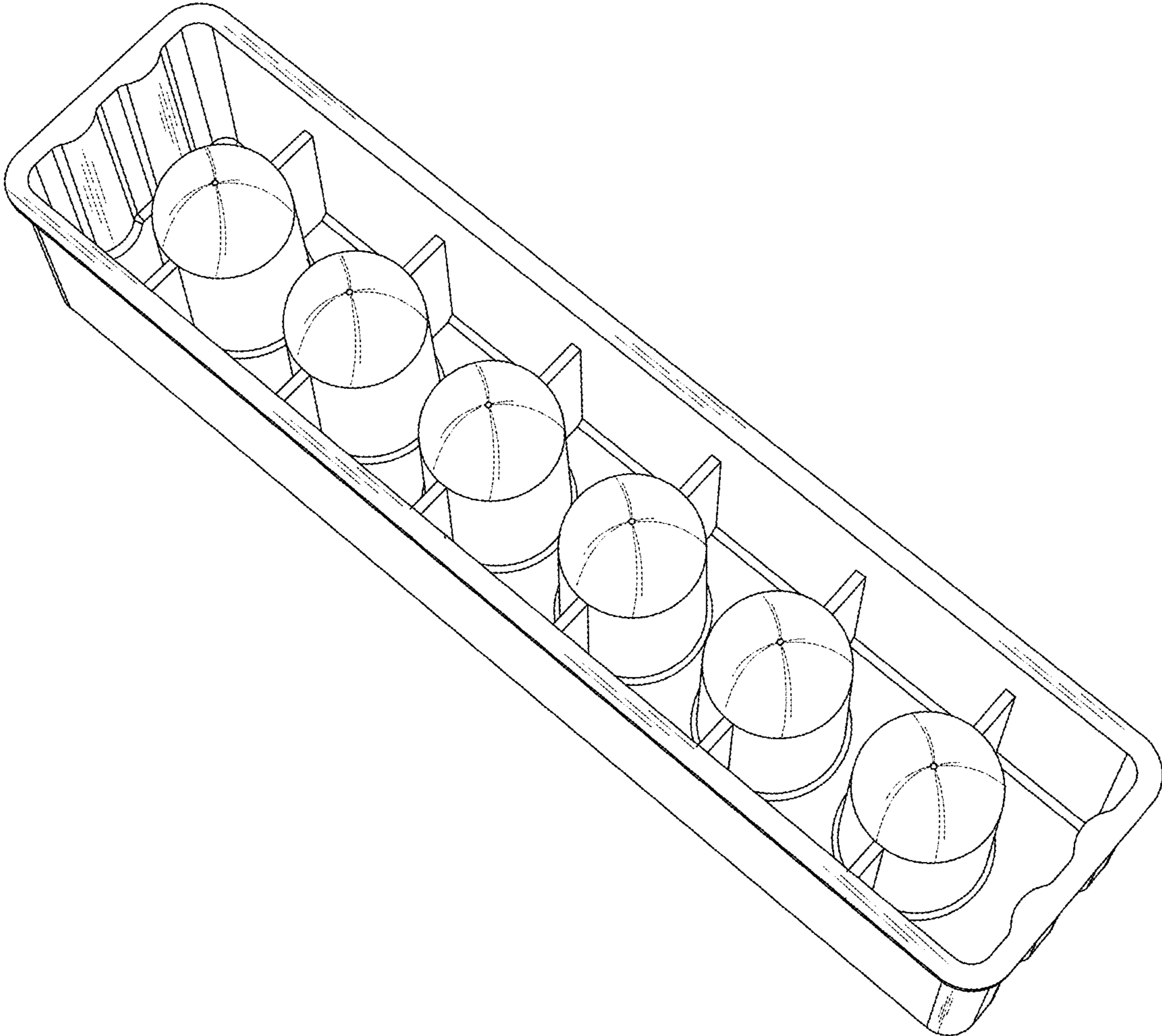


FIG.2

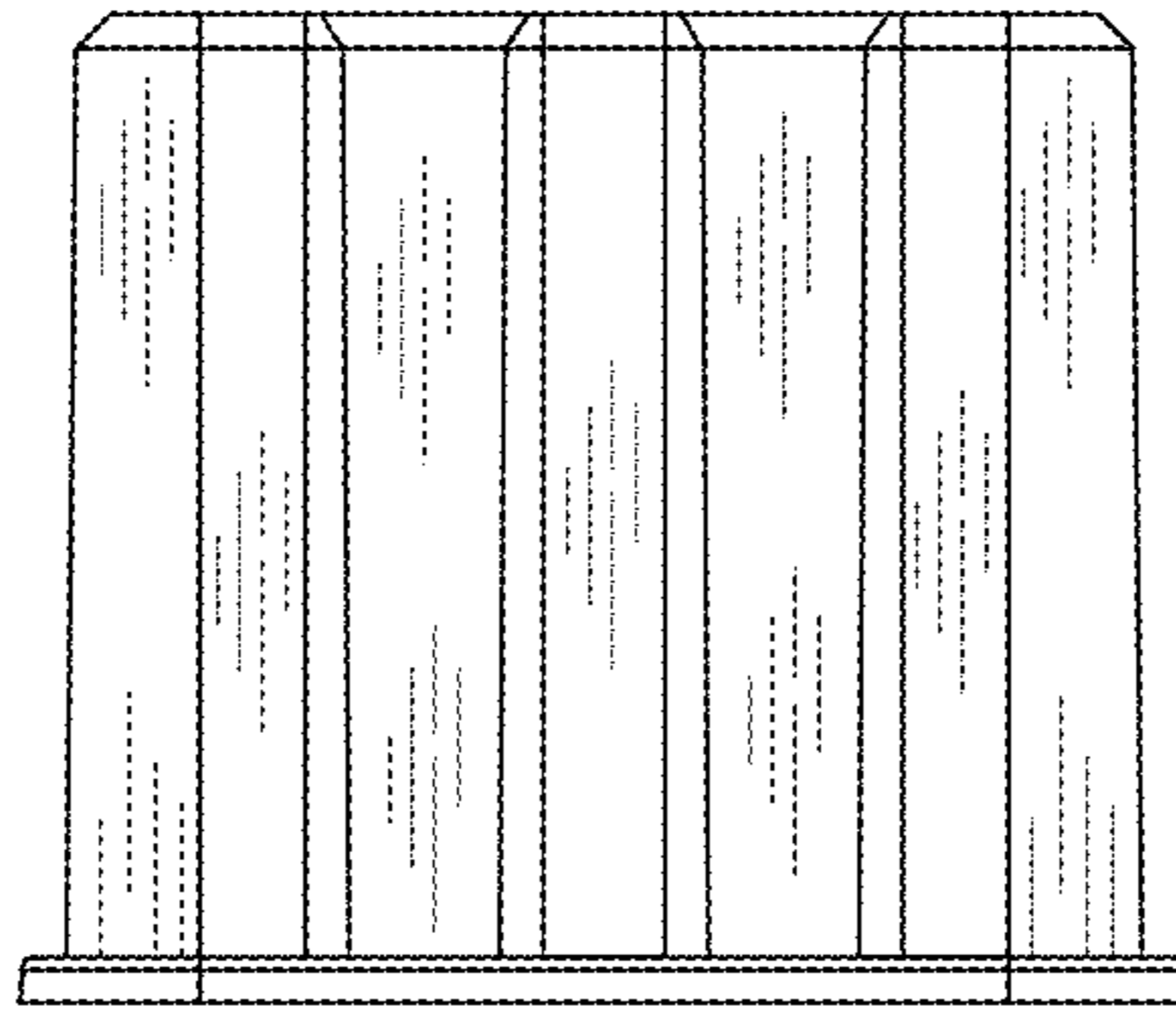


FIG.3

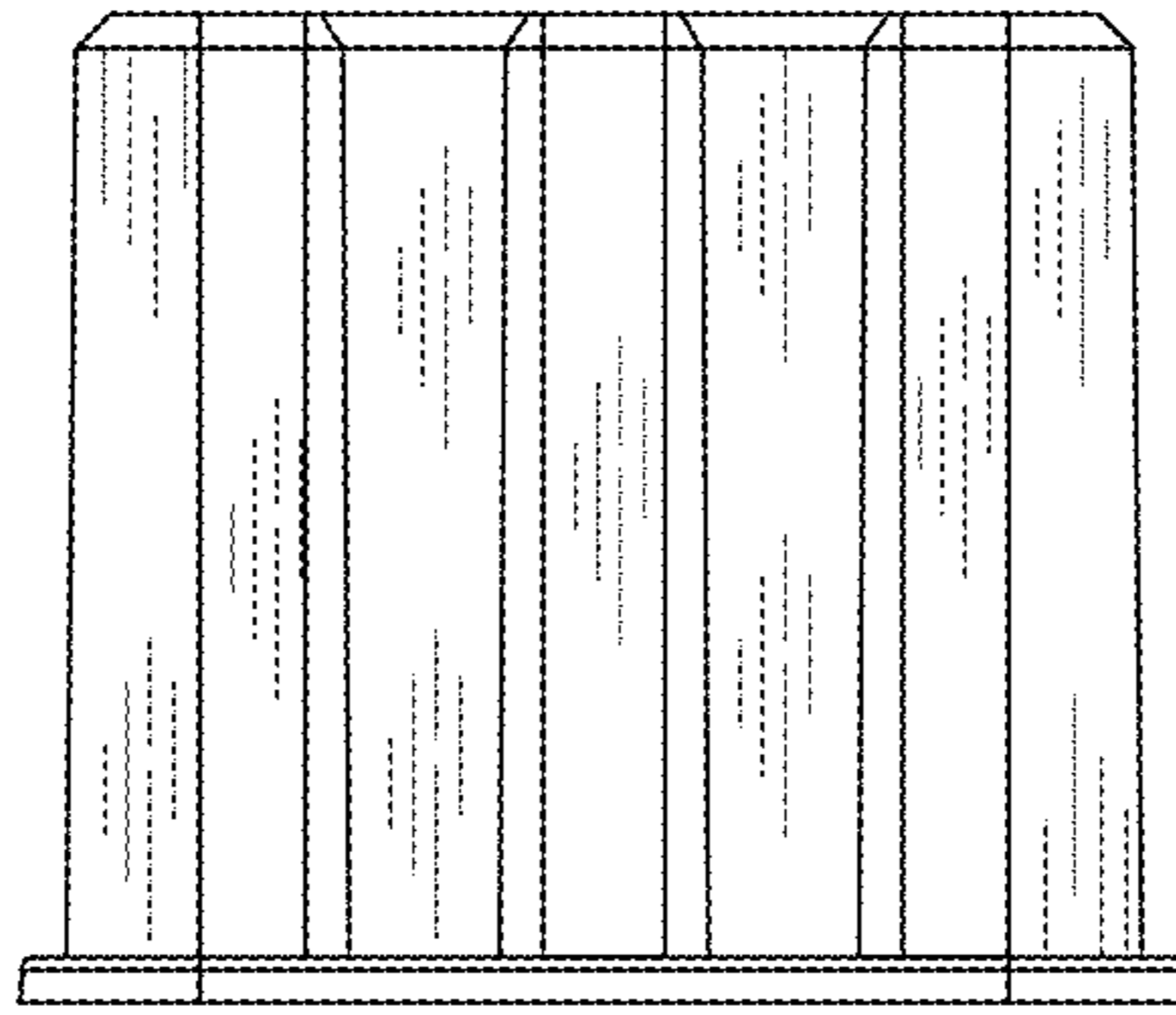


FIG.4

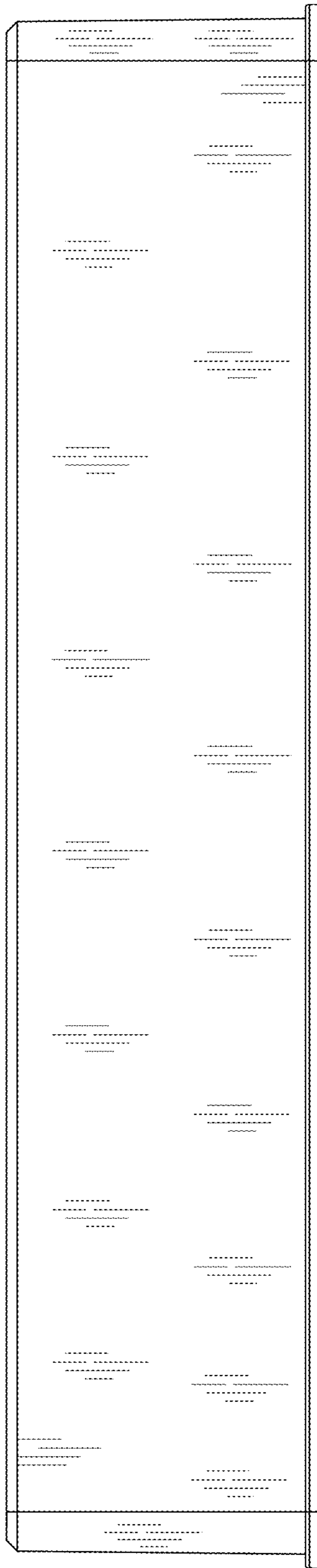


FIG.5

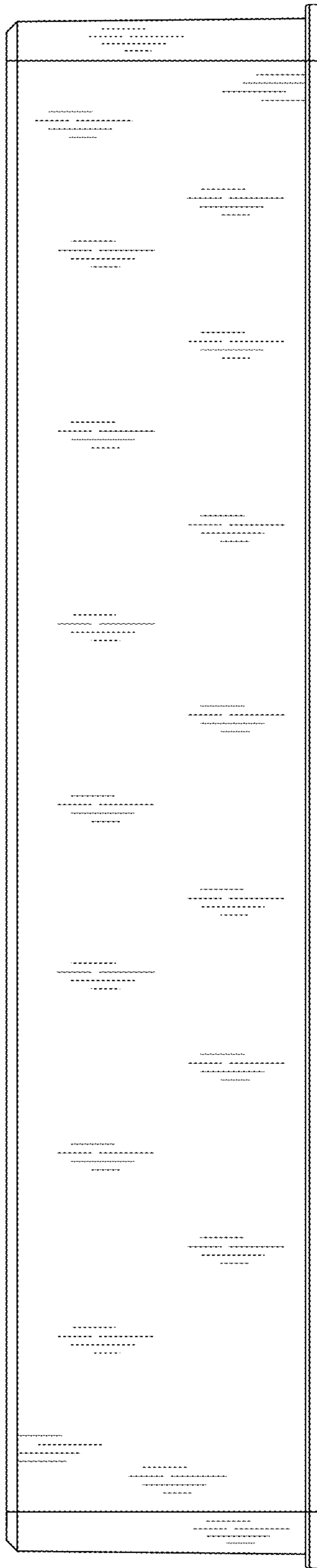


FIG.6

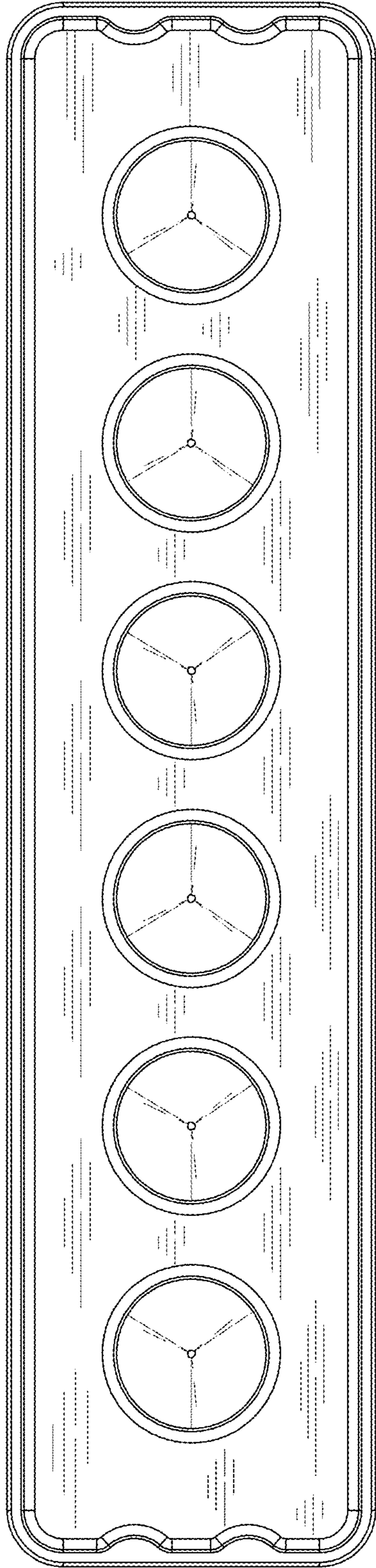


FIG.7

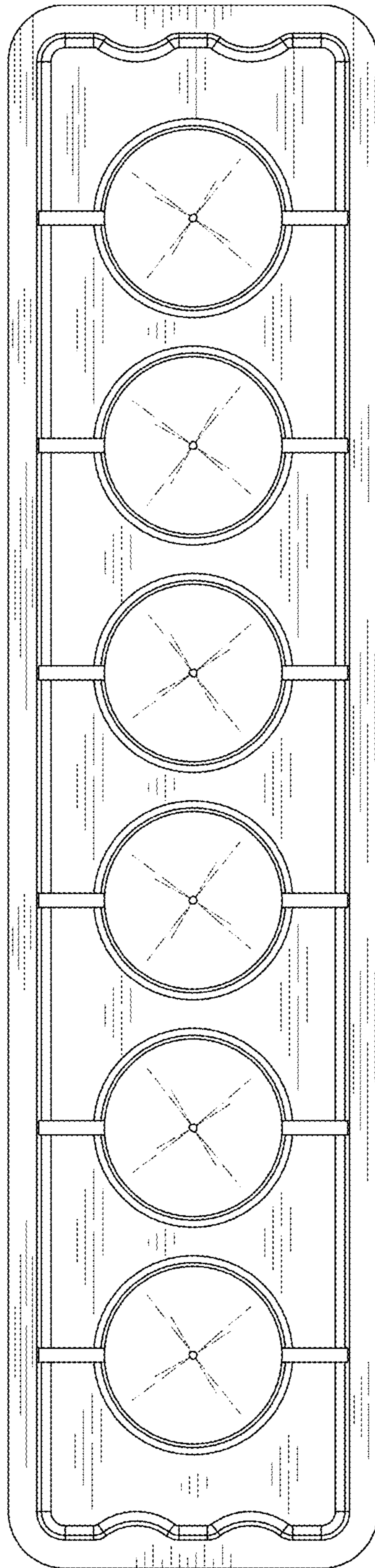


FIG.8