



US00D979791S

(12) **United States Design Patent** (10) **Patent No.:** **US D979,791 S**
Peters (45) **Date of Patent:** **** Feb. 28, 2023**

(54) **PURSE FOR SYRINGE POUCH SYSTEM WITH INSERT**

(71) Applicant: **Jenna Marie Peters**, Wellington, FL (US)

(72) Inventor: **Jenna Marie Peters**, Wellington, FL (US)

(**) Term: **15 Years**

(21) Appl. No.: **29/777,114**

(22) Filed: **Apr. 2, 2021**

(51) **LOC (14) Cl.** **24-02**

(52) **U.S. Cl.**
USPC **D24/227**

(58) **Field of Classification Search**
USPC D24/112-114, 127-130, 131, 186, 199, D24/207, 224, 226, 227

(Continued)

(56) **References Cited**

U.S. PATENT DOCUMENTS

4,090,850 A * 5/1978 Chen B01L 3/5025
422/535

D285,344 S * 8/1986 Olson D24/127

(Continued)

FOREIGN PATENT DOCUMENTS

CN 307550799 * 9/2022

GB 6121114 * 2/2021

OTHER PUBLICATIONS

Hopkins 3-Pocket Zippered Tote, Hopkins Medical, hopkinsmedicalproducts.com, [Post date unknown], [Site seen Oct. 6, 2022], Seen at URL: <https://www.hopkinsmedicalproducts.com/product/Hopkins-Tote-3-Pocket-600D-HMP?option=530793> (Year: 2022).*

(Continued)

Primary Examiner — Natasha Vujcic
Assistant Examiner — Gilbert B Ford
(74) *Attorney, Agent, or Firm* — Melvin K. Silverman

(57) **CLAIM**

The ornamental design for a purse for syringe pouch system with insert, as shown and described.

DESCRIPTION

FIG. 1 is a perspective front top view of a design for a purse for syringe pouch system with insert;

FIG. 2 is a left-side view thereof;

FIG. 3 is a right-side view thereof;

FIG. 4 is a front view thereof;

FIG. 5 is a rear view thereof;

FIG. 6 is a top view thereof;

FIG. 7 is a bottom view thereof;

FIG. 8 is a perspective front top view of the insert shown detached for clarity of illustration.

FIG. 9 is a left-side view of the insert shown detached for clarity of illustration.

FIG. 10 is a right-side view of the insert shown detached for clarity of illustration.

FIG. 11 is a front view of the insert shown detached for clarity of illustration.

FIG. 12 is a rear view of the insert shown detached for clarity of illustration.

FIG. 13 is a top view of the insert shown detached for clarity of illustration.

FIG. 14 is a bottom view of the insert shown detached for clarity of illustration.

FIG. 15 is an external perspective front top view of a purse for a syringe pouch shown without the insert for clarity of illustration;

FIG. 16 is a left-side view thereof;

FIG. 17 is a right-side view thereof;

FIG. 18 is a front view thereof;

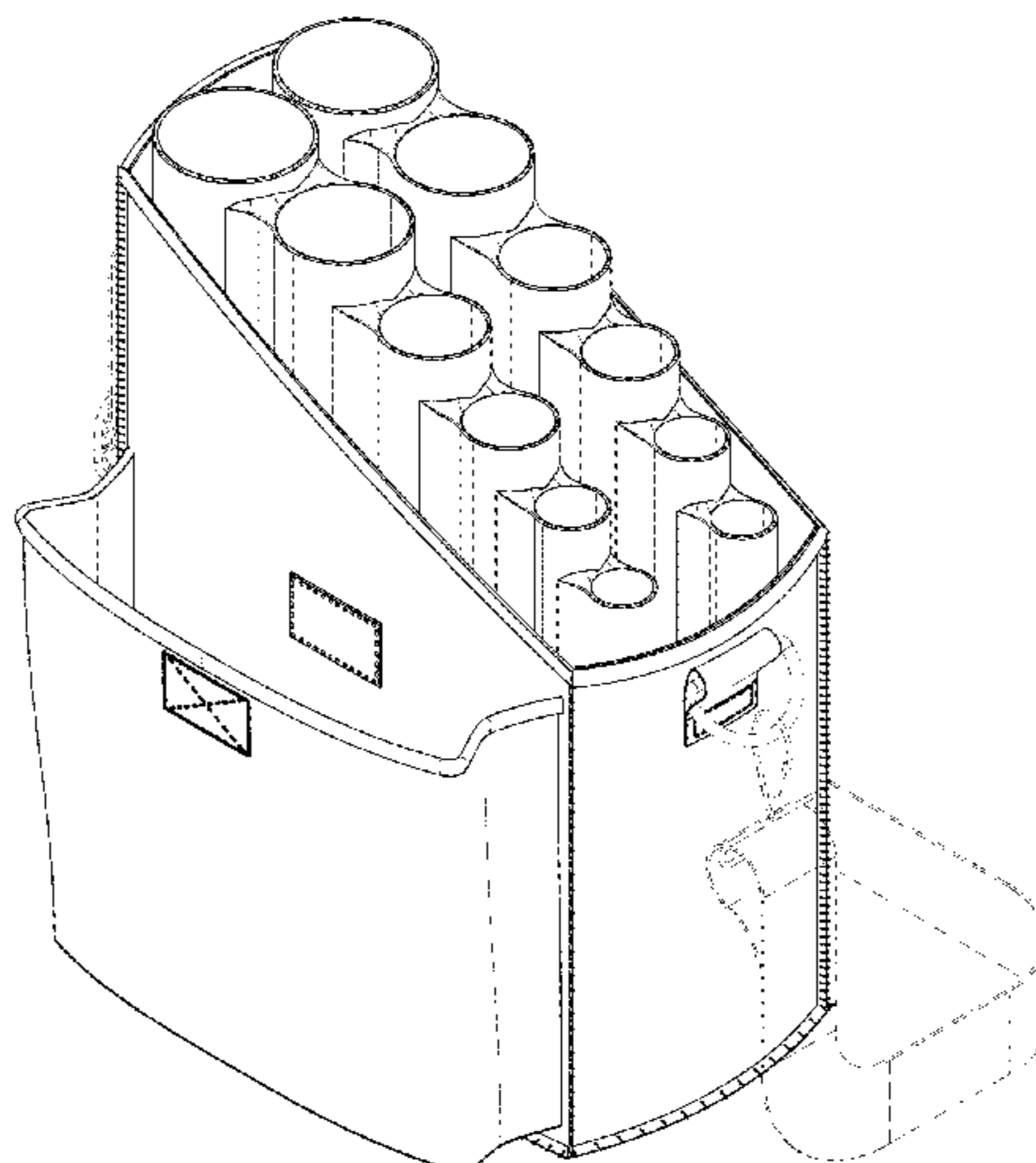
FIG. 19 is a rear view thereof;

FIG. 20 is a top view thereof; and,

FIG. 21 is a bottom view thereof.

The broken lines shown for the strap elements on the purse for syringe pouch system with insert in FIGS. 1-7 and 15-21 represent portions of the purse for syringe pouch system

(Continued)



with insert that form no part of the claimed design. All other broken lines in FIGS. 1, 2, 4, 5, 15, 16, 18, and 19 represent stitching.

1 Claim, 21 Drawing Sheets

(58) Field of Classification Search

CPC A61M 5/008; A61M 5/002; A61J 1/16;
A61J 1/06

See application file for complete search history.

(56)

References Cited

U.S. PATENT DOCUMENTS

7,867,444	B2 *	1/2011	Testrut	G01N 35/0099 422/65
D735,881	S *	8/2015	Thomas	D24/227
D770,042	S *	10/2016	Christensen	D24/128
D787,087	S *	5/2017	Duffy	D24/227

D877,899	S *	3/2020	Shepherd	D24/128
D932,052	S *	9/2021	Zergiebel	D24/227
D935,607	S *	11/2021	Yoo	D24/128
11,305,055	B1 *	4/2022	Peters	A61M 5/008
11,305,291	B2 *	4/2022	Tuma	G01N 35/026
D952,839	S *	5/2022	Ho	D24/128
D954,985	S *	6/2022	Grayson	D24/224
2014/0197120	A1 *	7/2014	Seiwell	A61M 5/008 211/85.13
2015/0238686	A1 *	8/2015	Mohyi	A61M 5/008 206/364
2020/0269256	A1 *	8/2020	Ho	A61K 9/0019
2021/0220547	A1 *	7/2021	Sonoyama	A61M 5/008

OTHER PUBLICATIONS

Handy Tube Holder, Hopkins Medical, hopkinsmedicalproducts.com, [Post date unknown], [Site seen Oct. 6, 2022], Seen at URL: <https://www.hopkinsmedicalproducts.com/product/Handy-Tube-Holder-HM2500> (Year: 2022).*

* cited by examiner

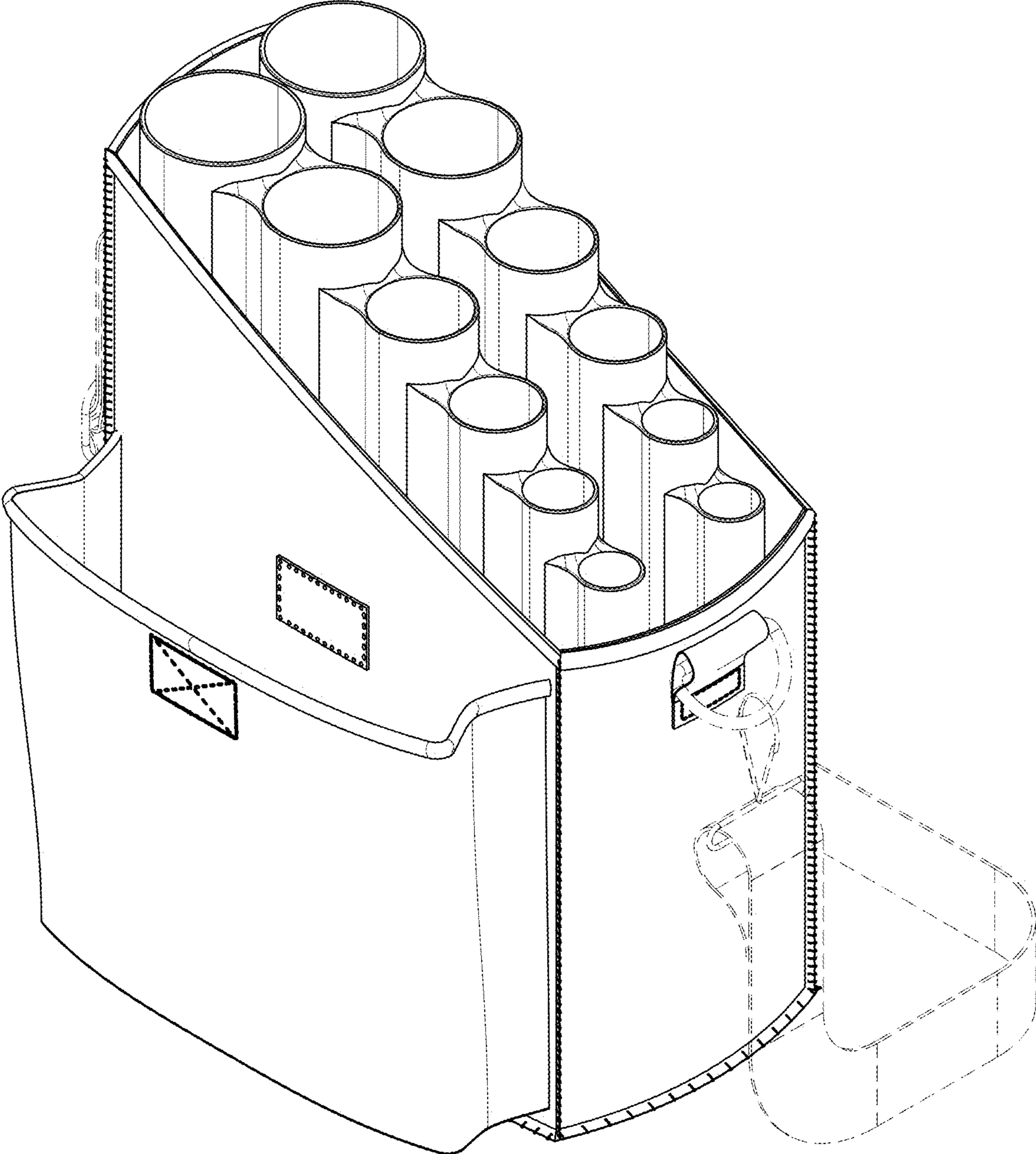


FIG. 1

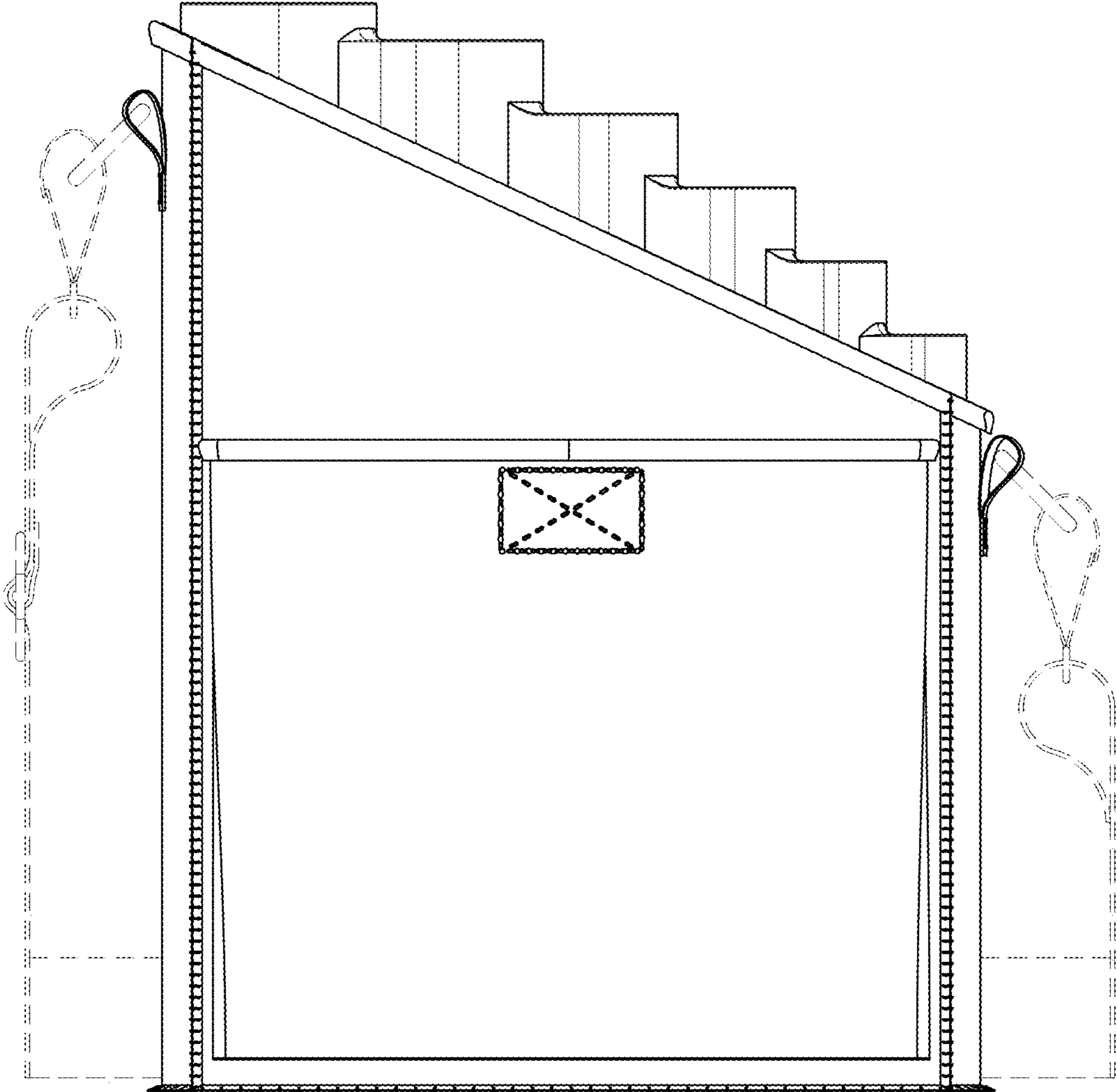


FIG. 2

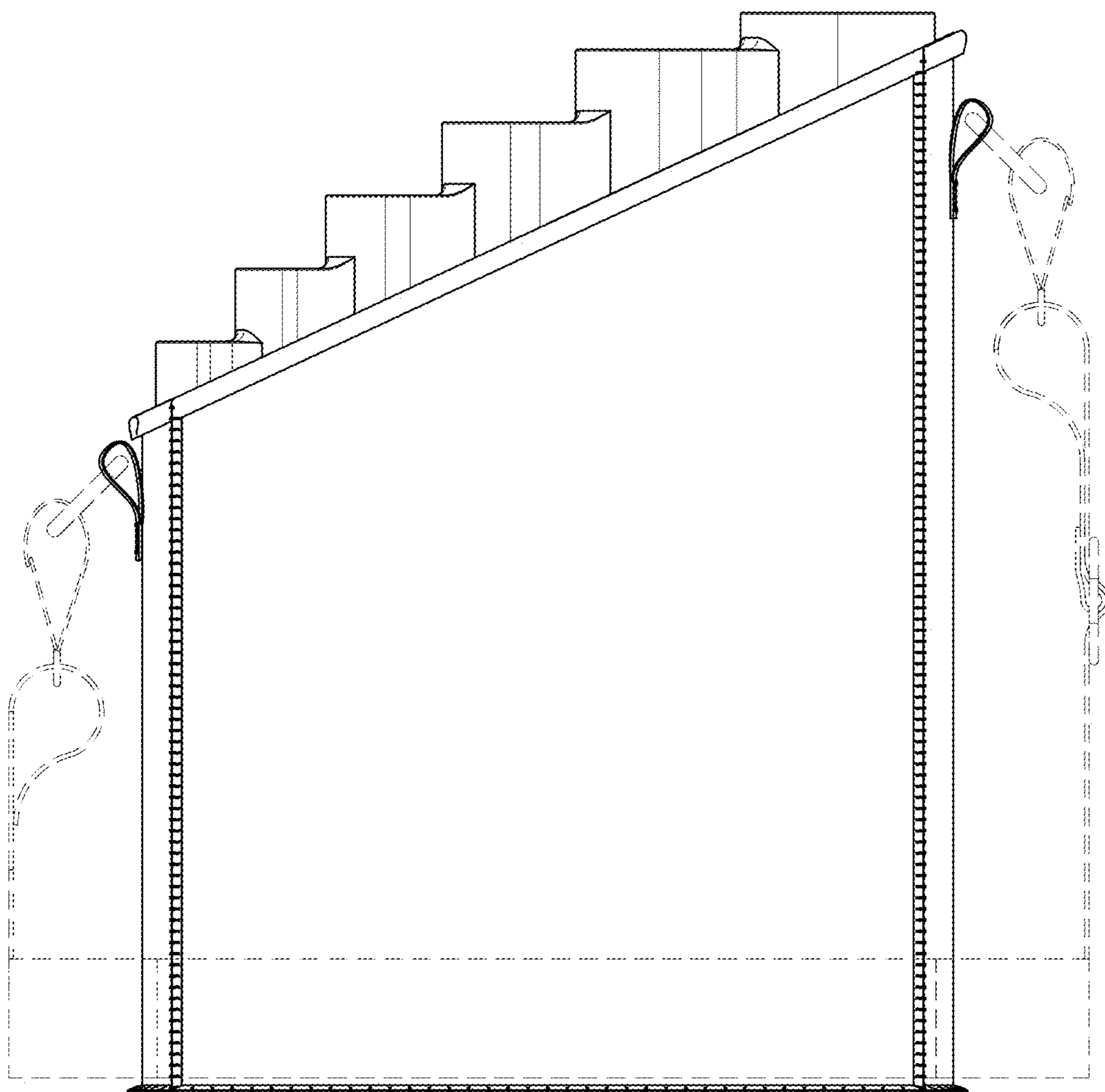


FIG. 3

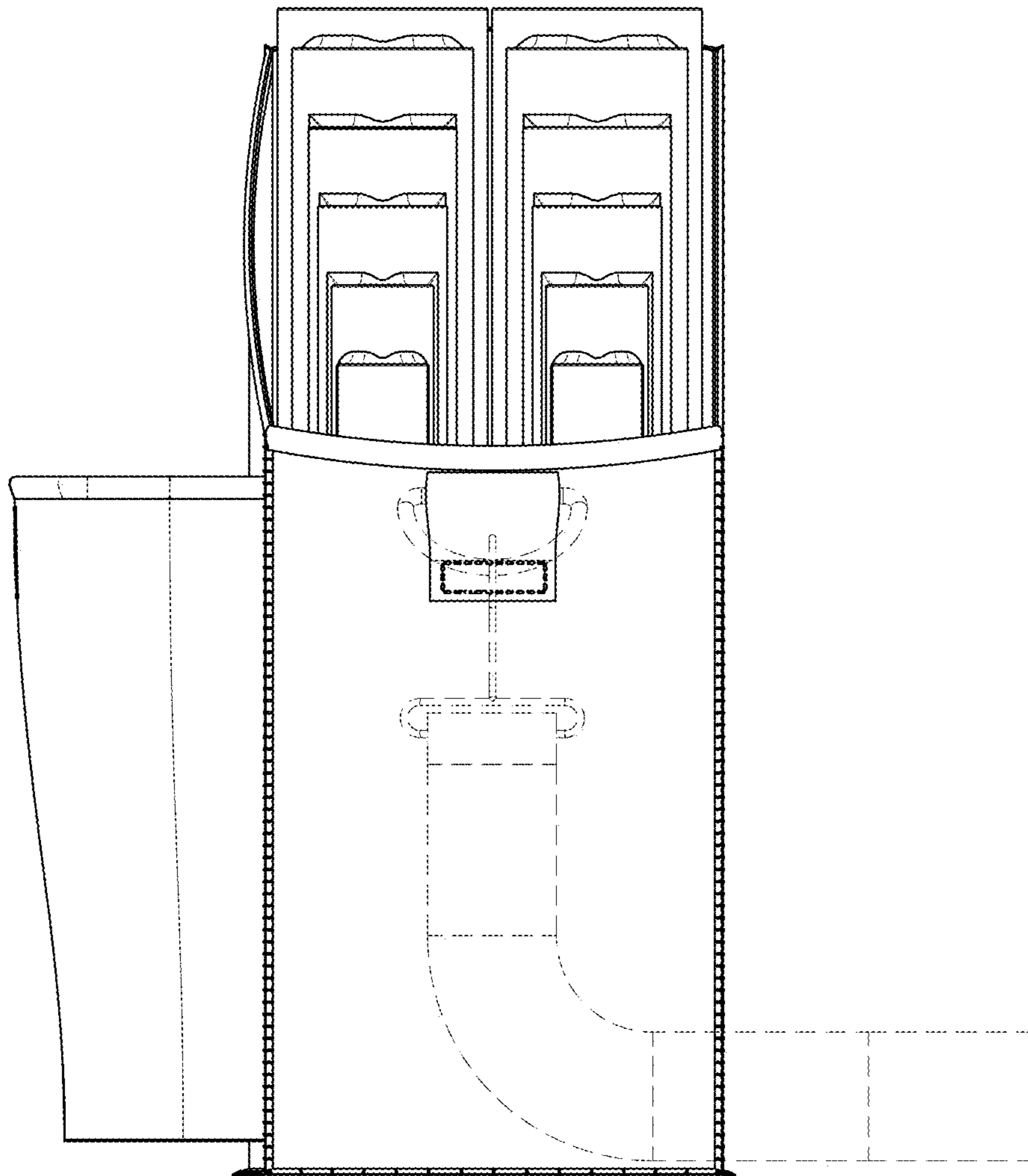


FIG. 4

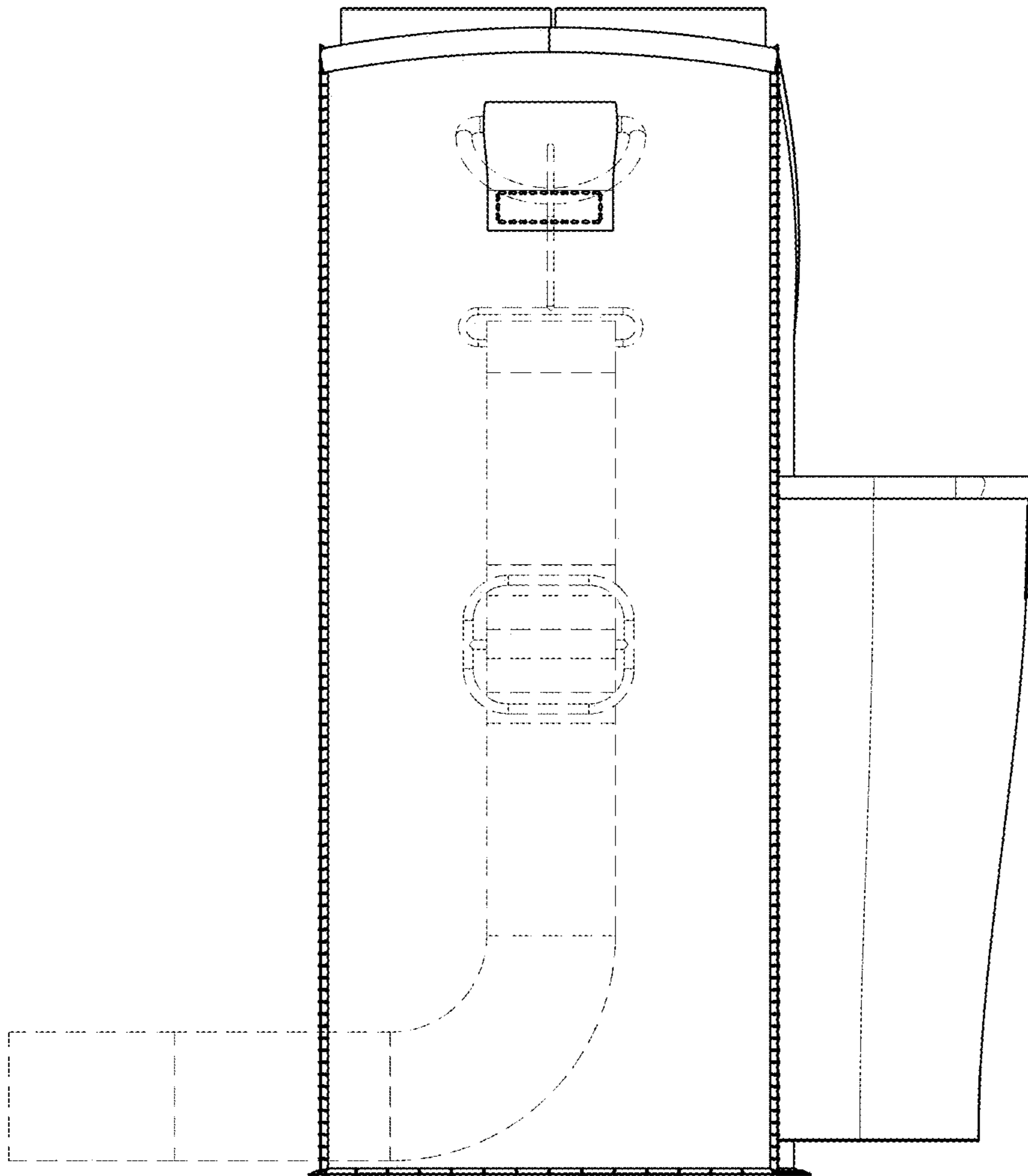


FIG. 5

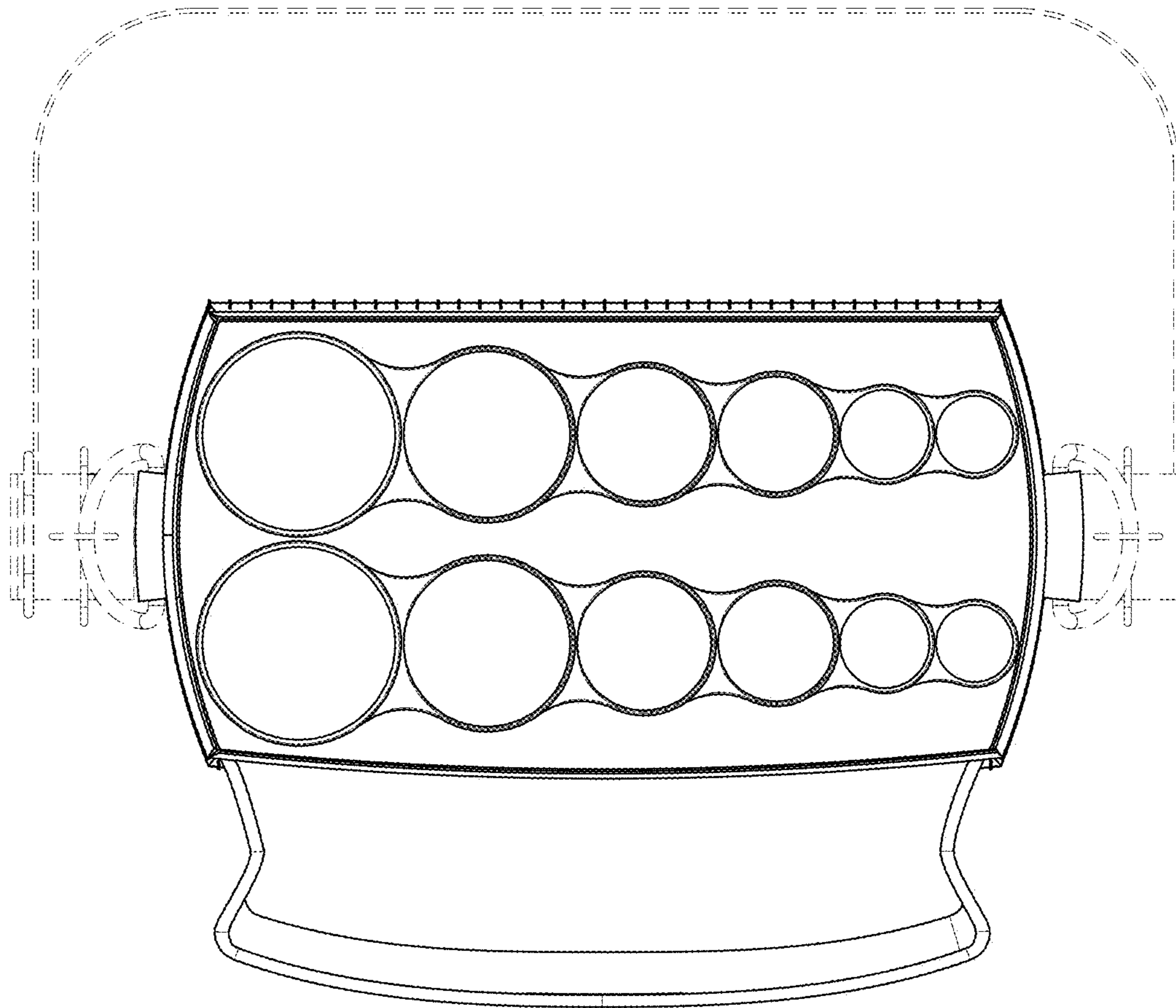


FIG. 6

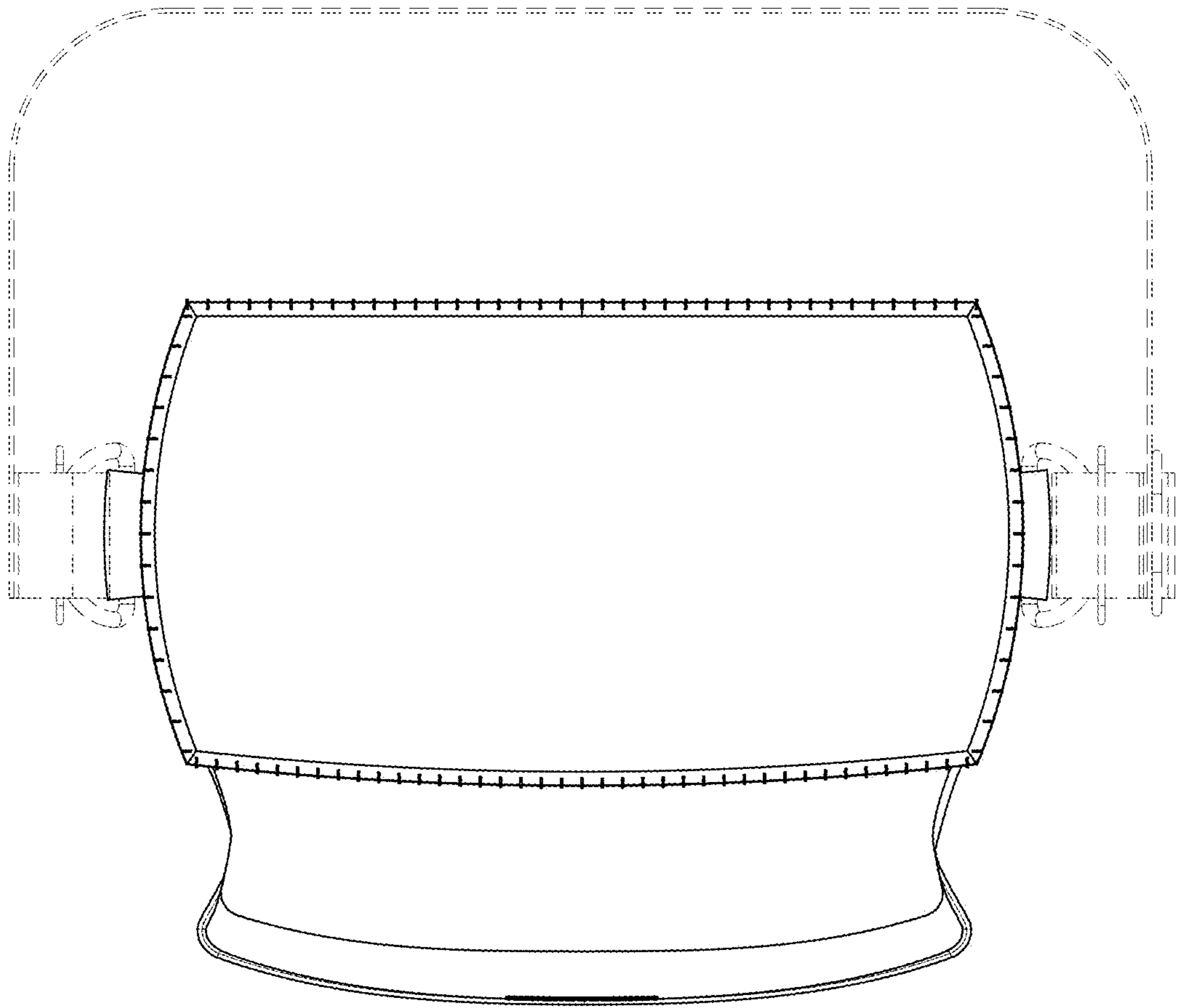


FIG. 7

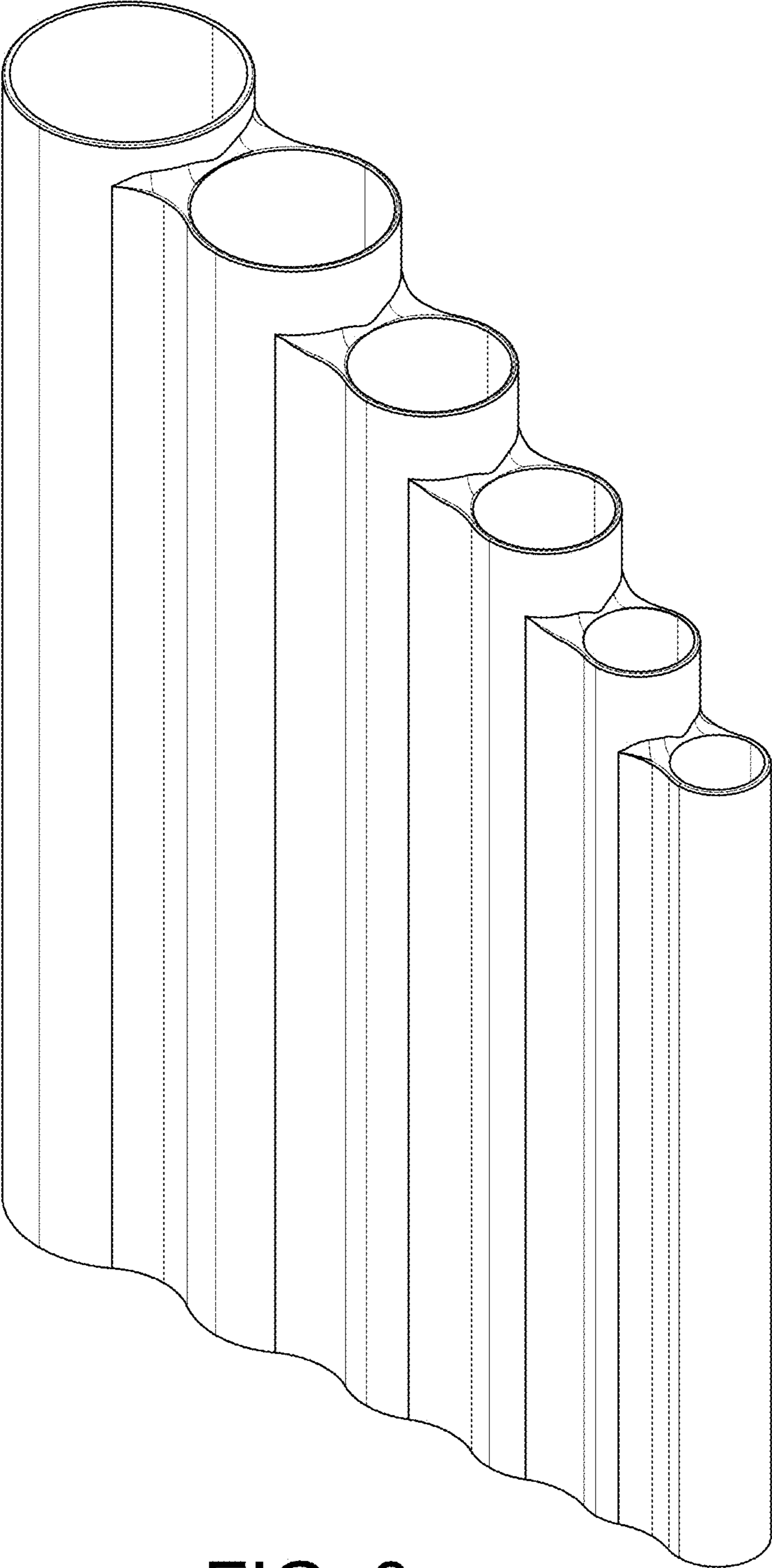


FIG. 8

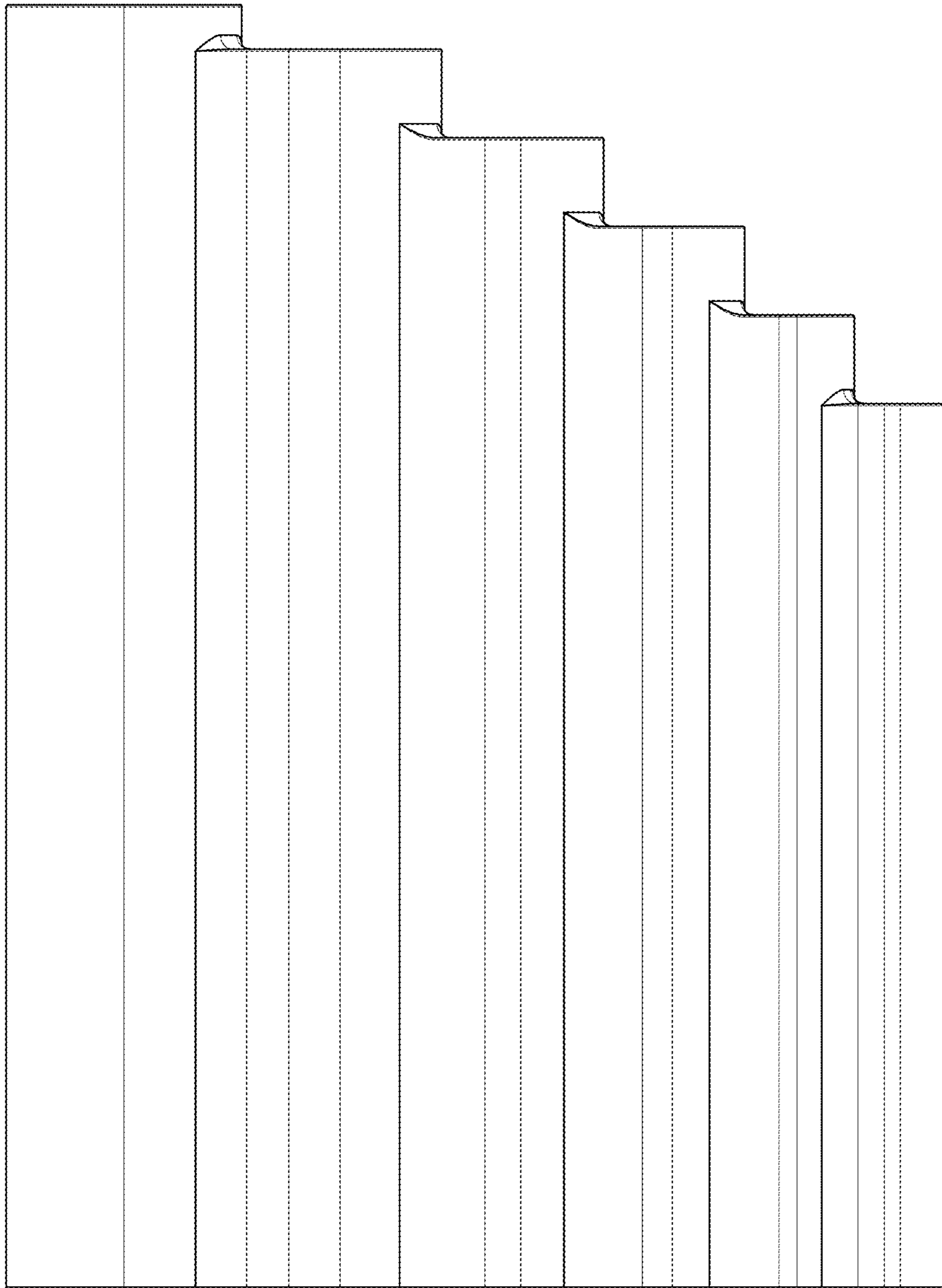


FIG. 9

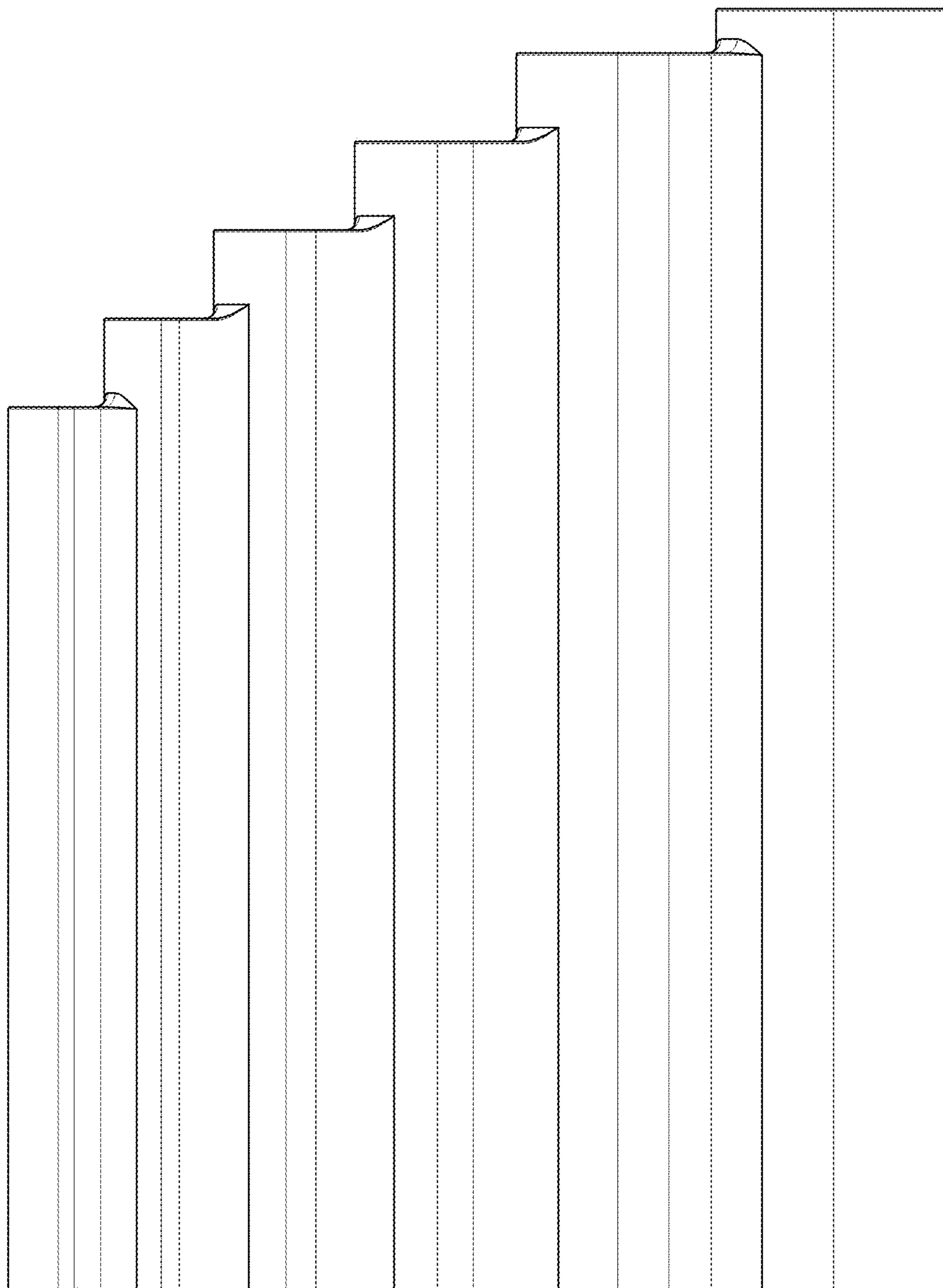


FIG. 10

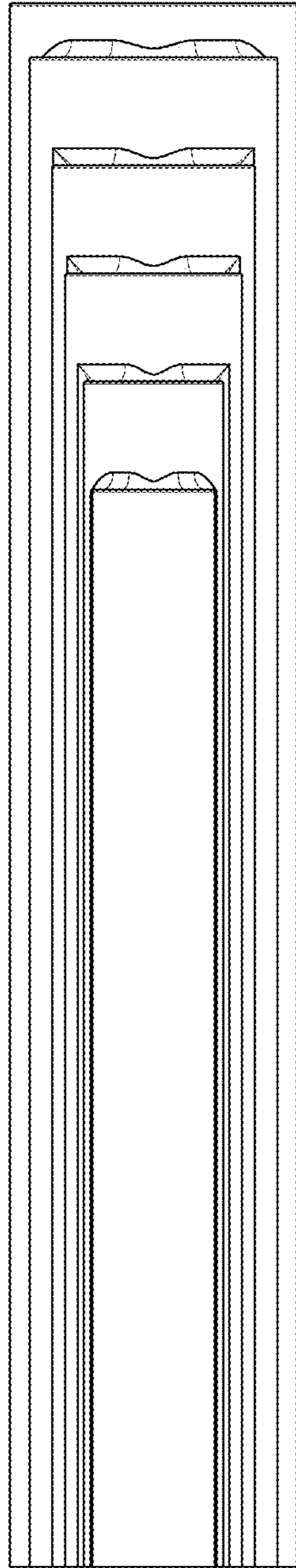


FIG. 11

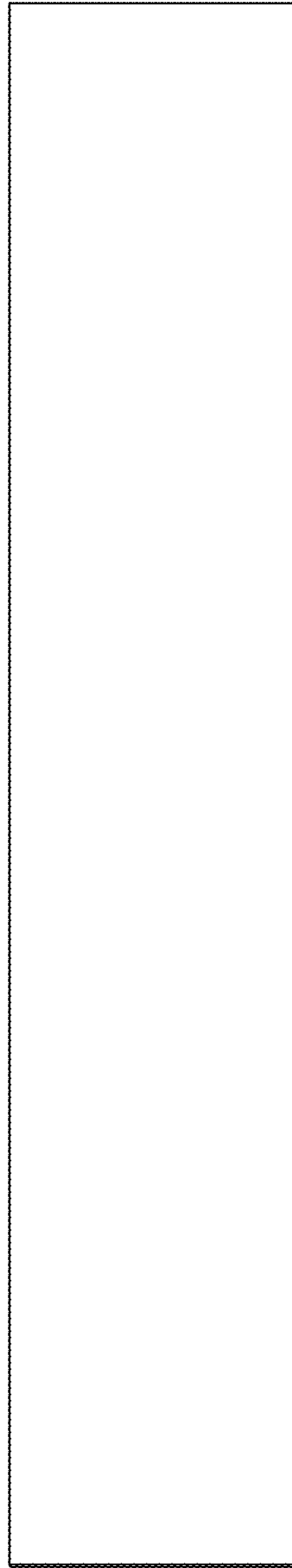


FIG. 12

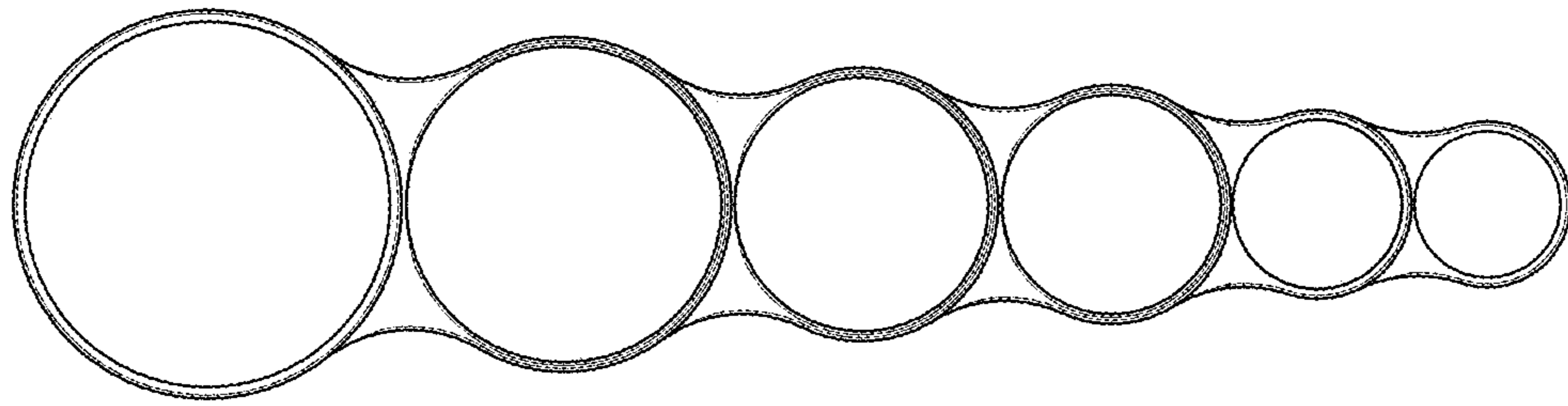


FIG. 13

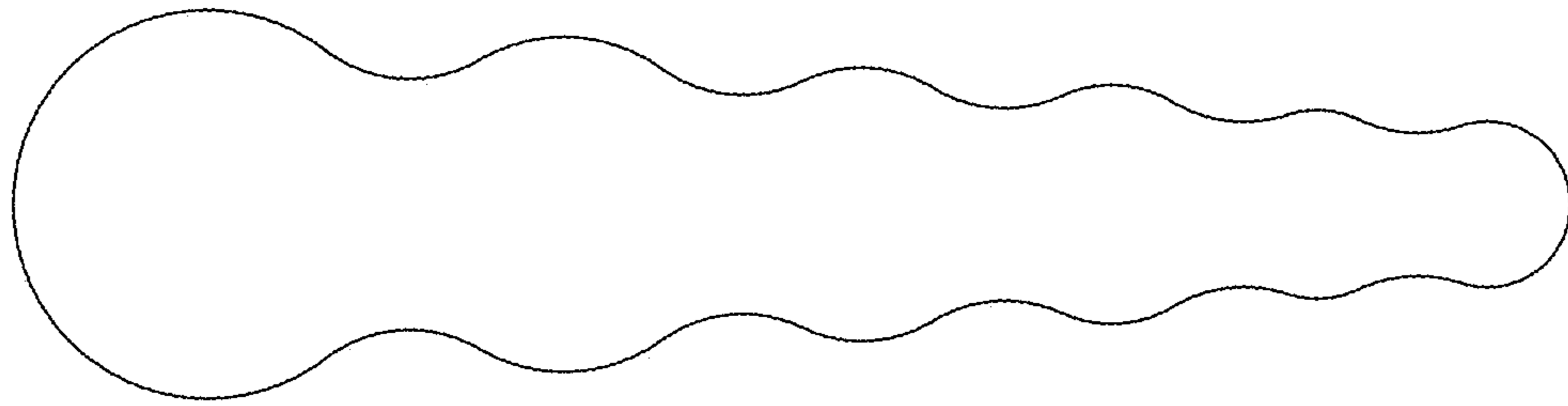


FIG. 14

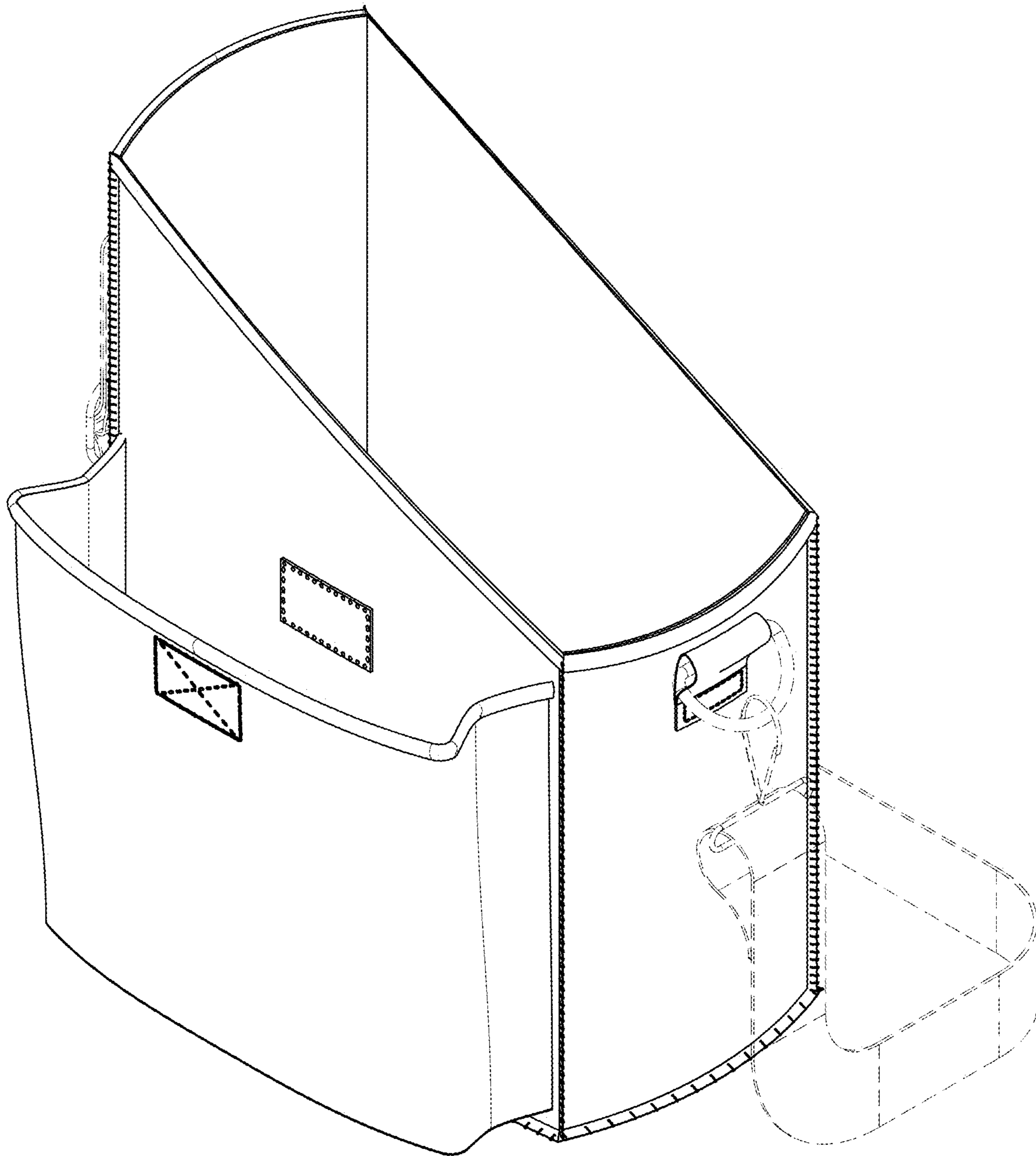


FIG. 15

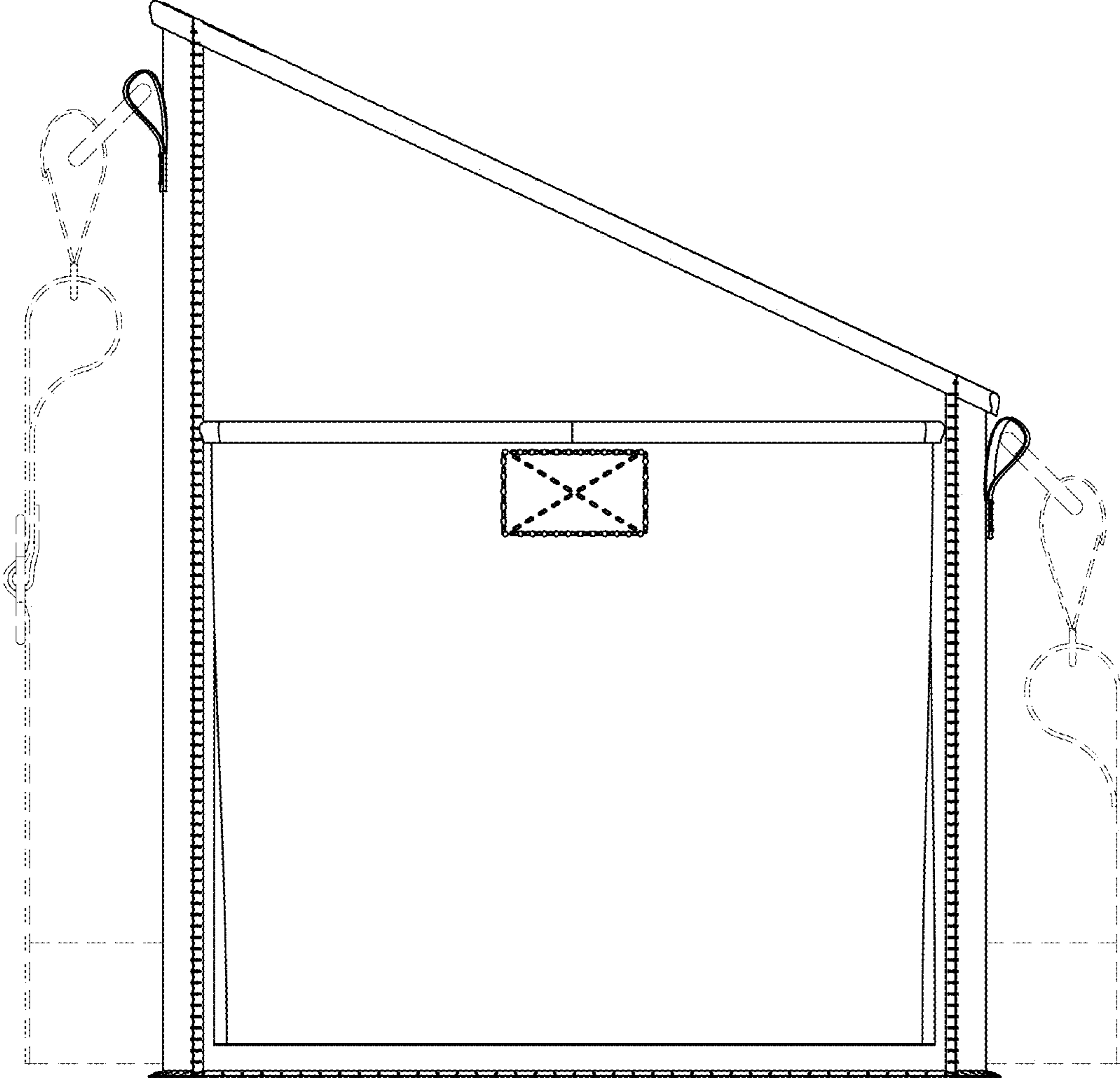


FIG. 16

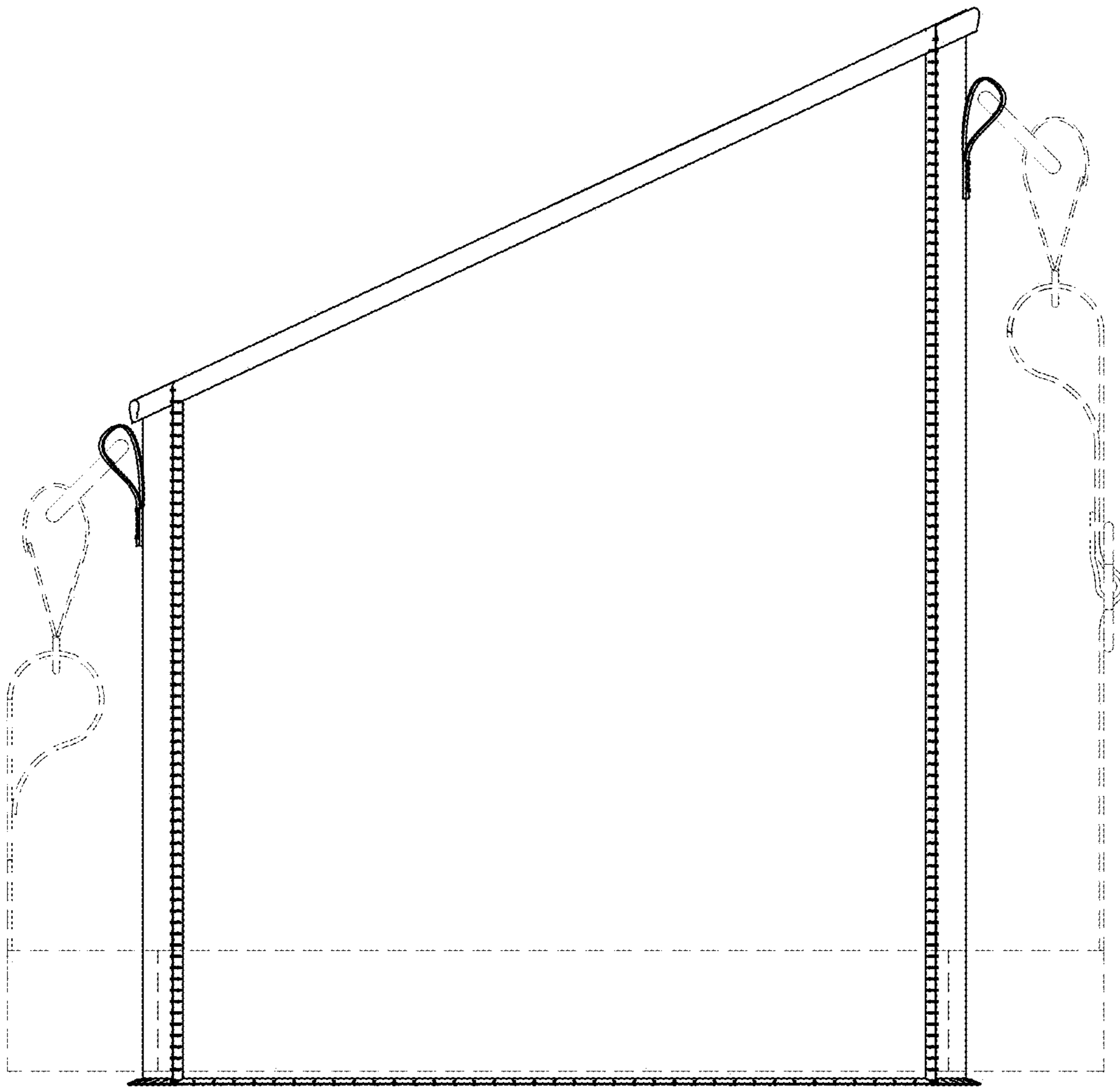


FIG. 17

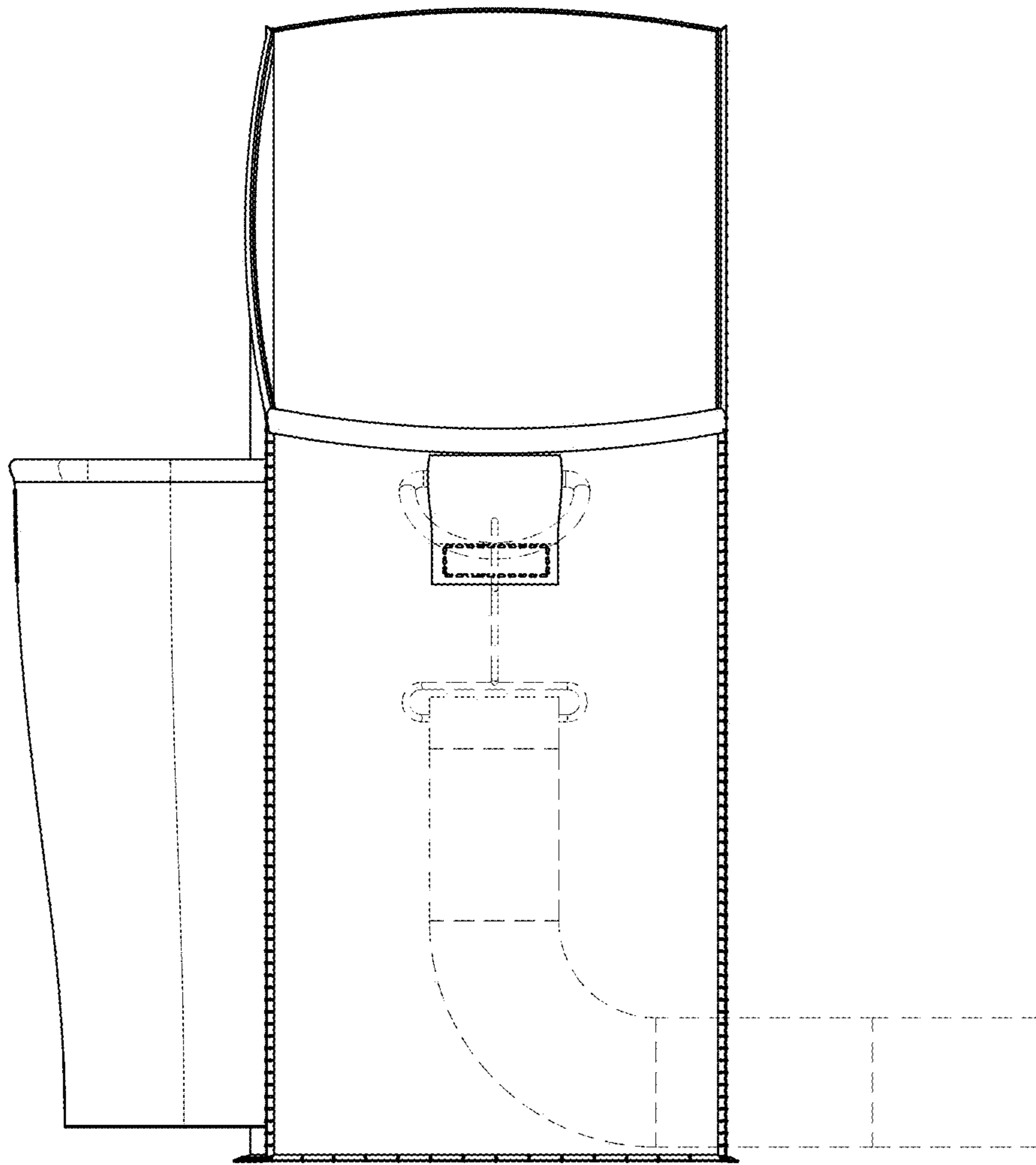


FIG. 18

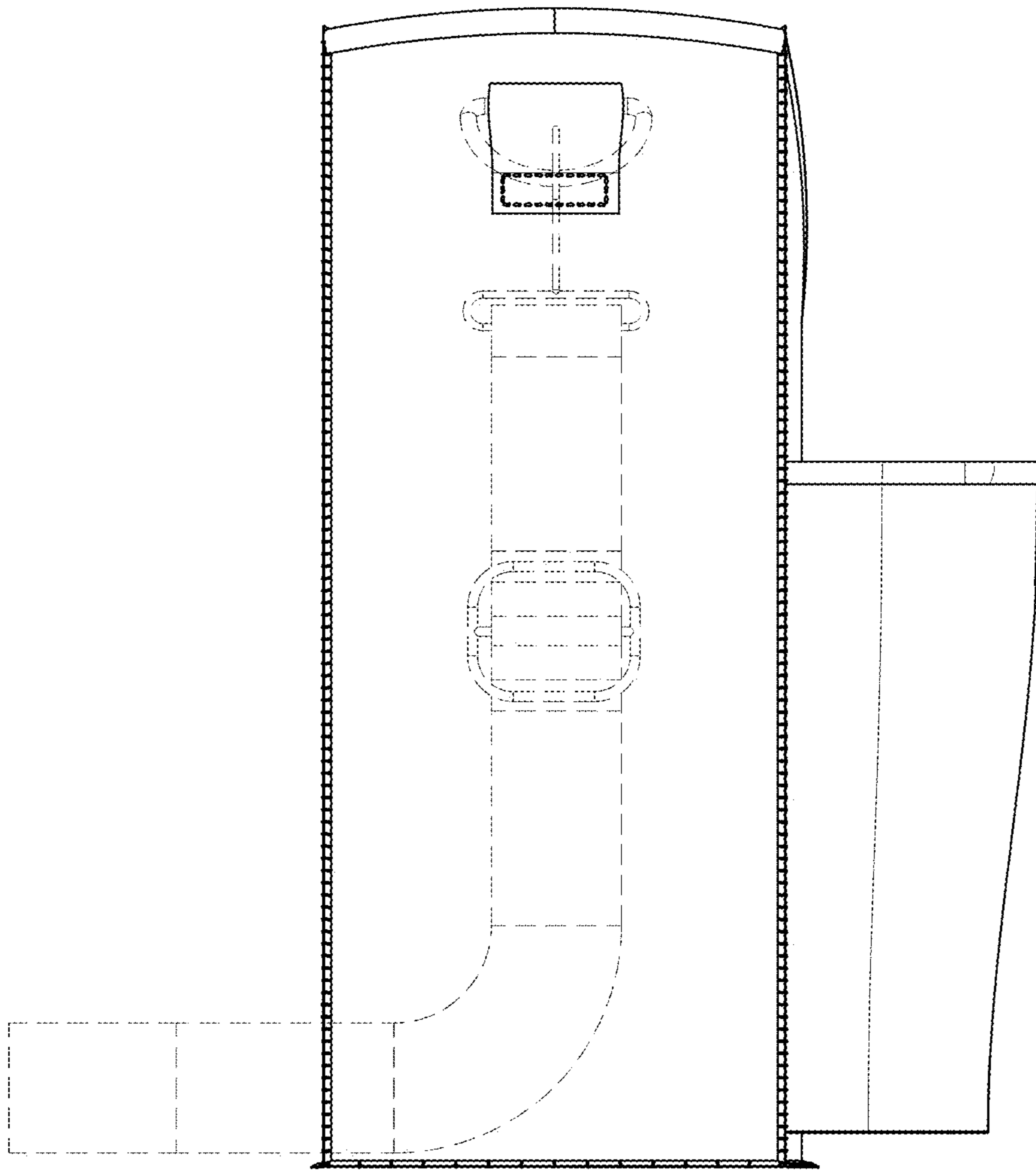


FIG. 19

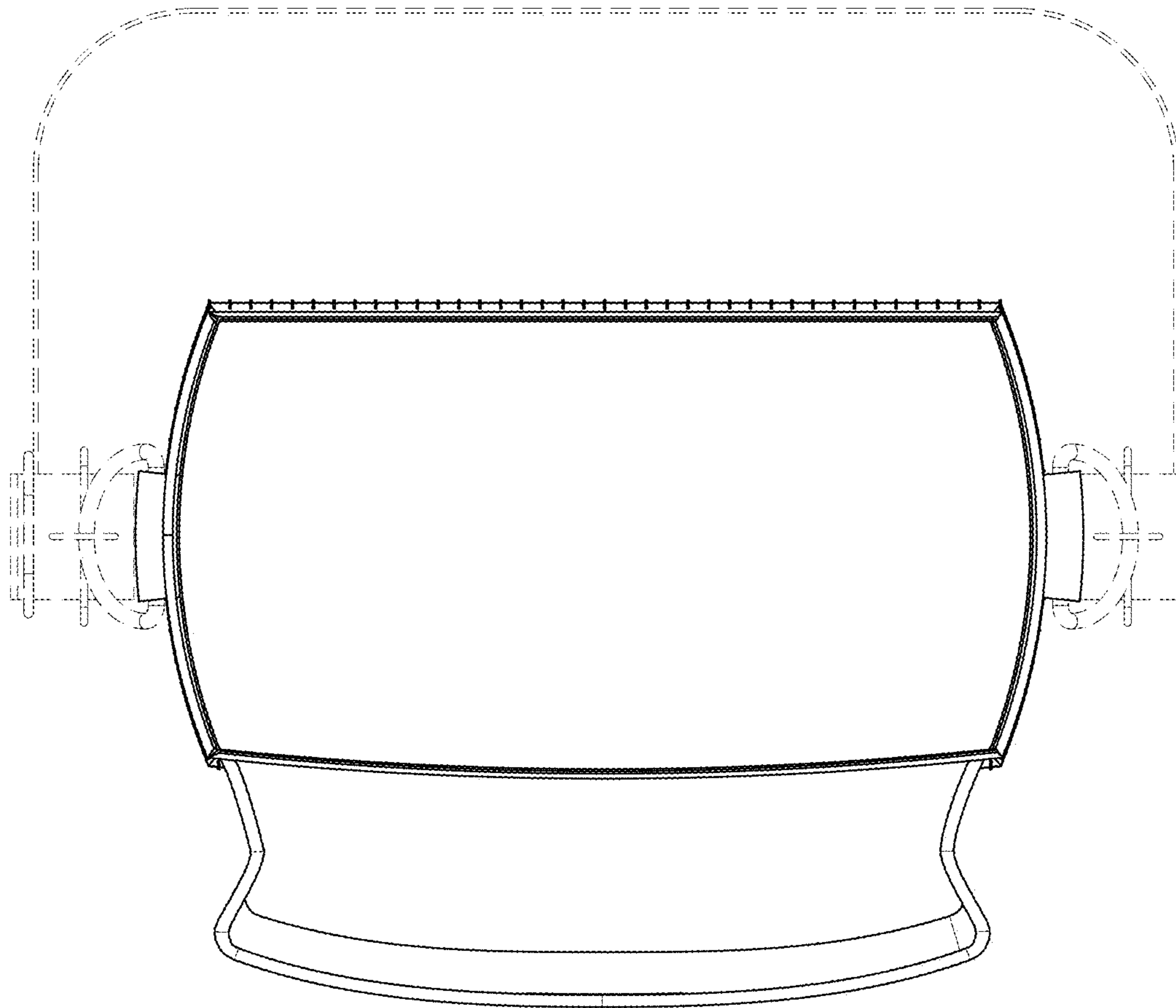


FIG. 20

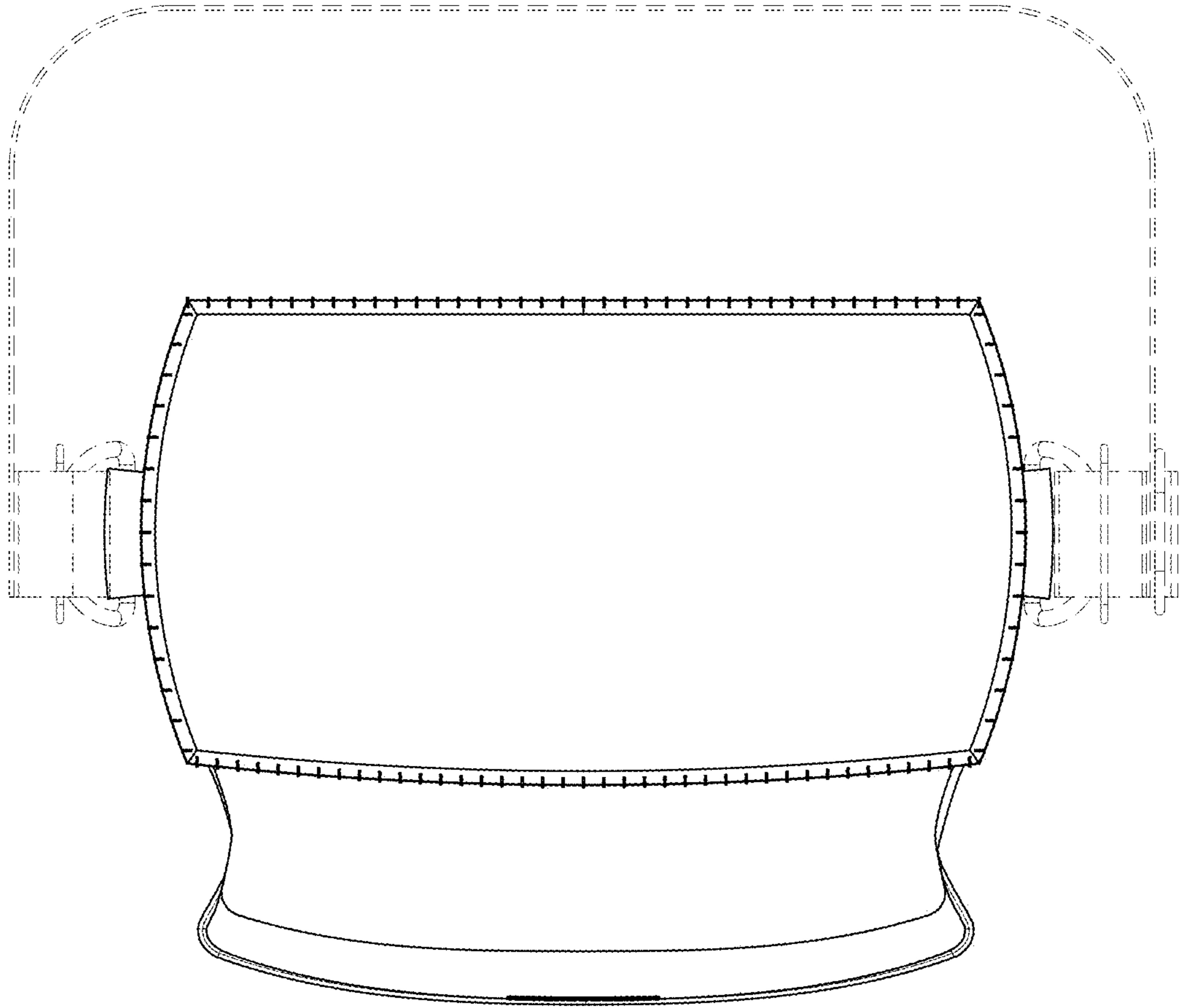


FIG. 21