



US00D979790S

(12) **United States Design Patent**
Baughman

(10) **Patent No.:** **US D979,790 S**

(45) **Date of Patent:** **** Feb. 28, 2023**

(54) **EXTENDING HANDLE PROTECTIVE VIAL CASE**

D777,336 S * 1/2017 Reid D24/200
D891,632 S * 7/2020 Shalon D24/216
2017/0095403 A1* 4/2017 Larson B65D 23/0885

(71) Applicant: **Jerra Baughman**, Cameron, OK (US)

FOREIGN PATENT DOCUMENTS

(72) Inventor: **Jerra Baughman**, Cameron, OK (US)

GB 6101793 * 9/2020

(**) Term: **15 Years**

OTHER PUBLICATIONS

(21) Appl. No.: **29/794,087**

2 Piece Insulin Vial Vessel Protective Case with Windows—For Humalog, Novalog, Fiasp, Lyumjev. Online, published date unknown. Retrieved on Oct. 3, 2022 from URL: https://www.etsy.com/listing/657703456/2-piece-insulin-vial-vessel-protective?ga_order=most_relevant&ga_search_type=all&ga_view_type=gallery&ga_search_*

(22) Filed: **Jun. 10, 2021**

(51) **LOC (14) Cl.** **24-02**

(52) **U.S. Cl.**
USPC **D24/224**

(58) **Field of Classification Search**
USPC D24/115, 169, 216, 222–226, 231, 232;
D9/500, 537, 539, 544, 545, 549, 558,
D9/574; D3/203.1–203.8;
D7/619.1–625, 509
CPC A61J 1/1425; B65D 51/002; B65D 39/00;
B65D 1/00; B65D 1/02; B65D 1/023;
B65D 75/5811; B65D 81/3266; G01N
21/718; C03C 3/091; B01L 3/5021; B01L
3/50825; B41F 17/22; B41F 17/08
See application file for complete search history.

* cited by examiner

Primary Examiner — Omeed Agilee
(74) *Attorney, Agent, or Firm* — Keisling & Pieper PLC;
David B. Pieper; Trent C. Keisling

(56) **References Cited**

U.S. PATENT DOCUMENTS

3,072,362 A * 1/1963 Allen B65G 51/06
422/561
D290,571 S * 6/1987 Rowe D7/622
D320,931 S * 10/1991 Siegel D24/197
D332,896 S * 2/1993 Hoelterscheidt D7/622
D405,192 S * 2/1999 Smith D24/227
D433,225 S * 11/2000 Deiss D9/504
D620,604 S * 7/2010 Alford D24/224
D622,553 S * 8/2010 Bollenbacher D7/624.2
8,297,469 B1 * 10/2012 Alford A61J 1/16
220/592.2
D763,710 S * 8/2016 Barthold D10/69

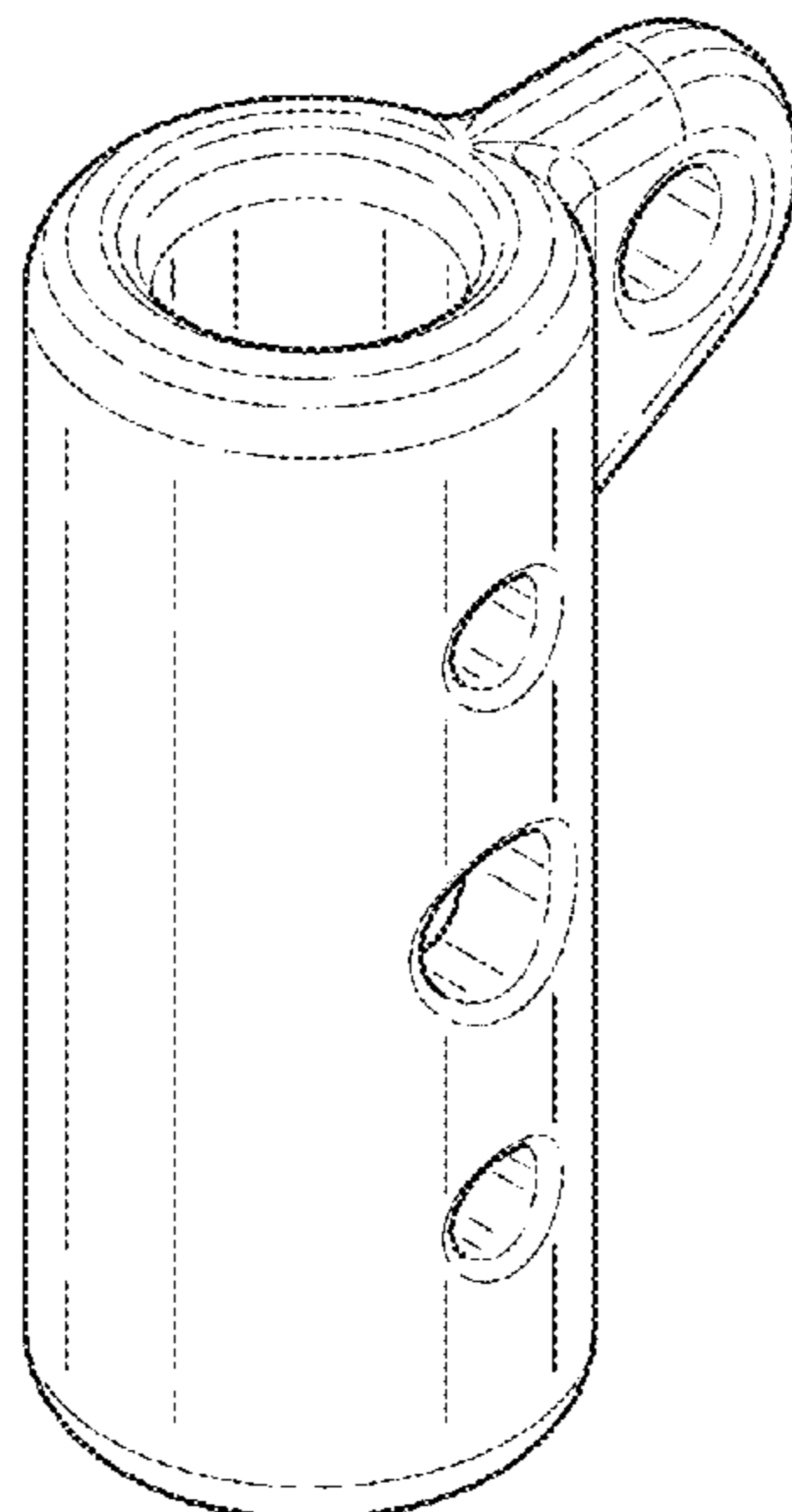
(57) **CLAIM**

The ornamental design for an extending handle protective vial case, as shown and described.

DESCRIPTION

FIG. 1 is a perspective view of an extending handle protective vial case showing my new design; FIG. 2 is another perspective view thereof; FIG. 3 is a perspective view thereof; FIG. 4 is a front view thereof; FIG. 5 is a left side view thereof; FIG. 6 is a right side view thereof; FIG. 7 is a top view thereof; and, FIG. 8 is a bottom elevational view thereof.

1 Claim, 2 Drawing Sheets



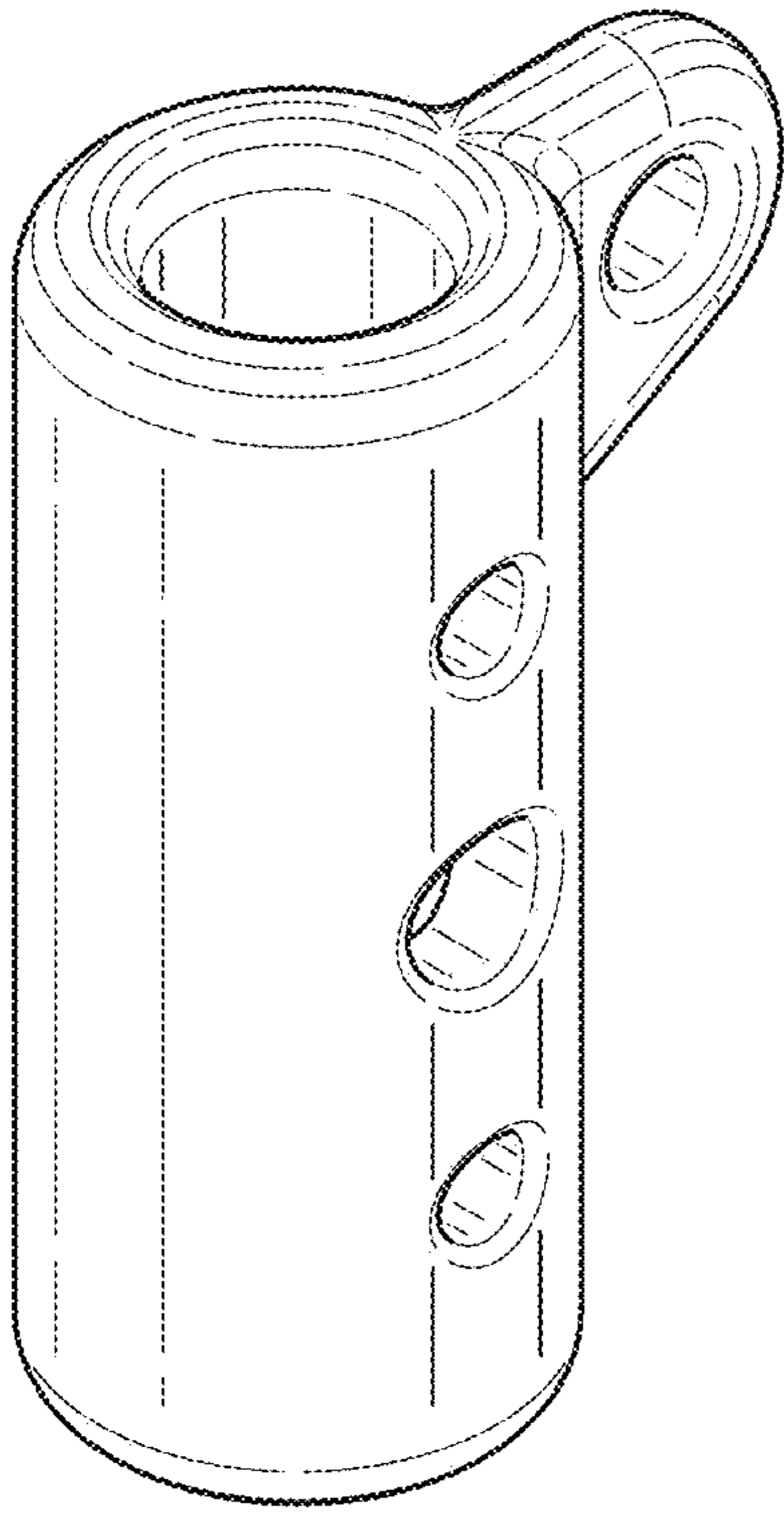


FIG. 1

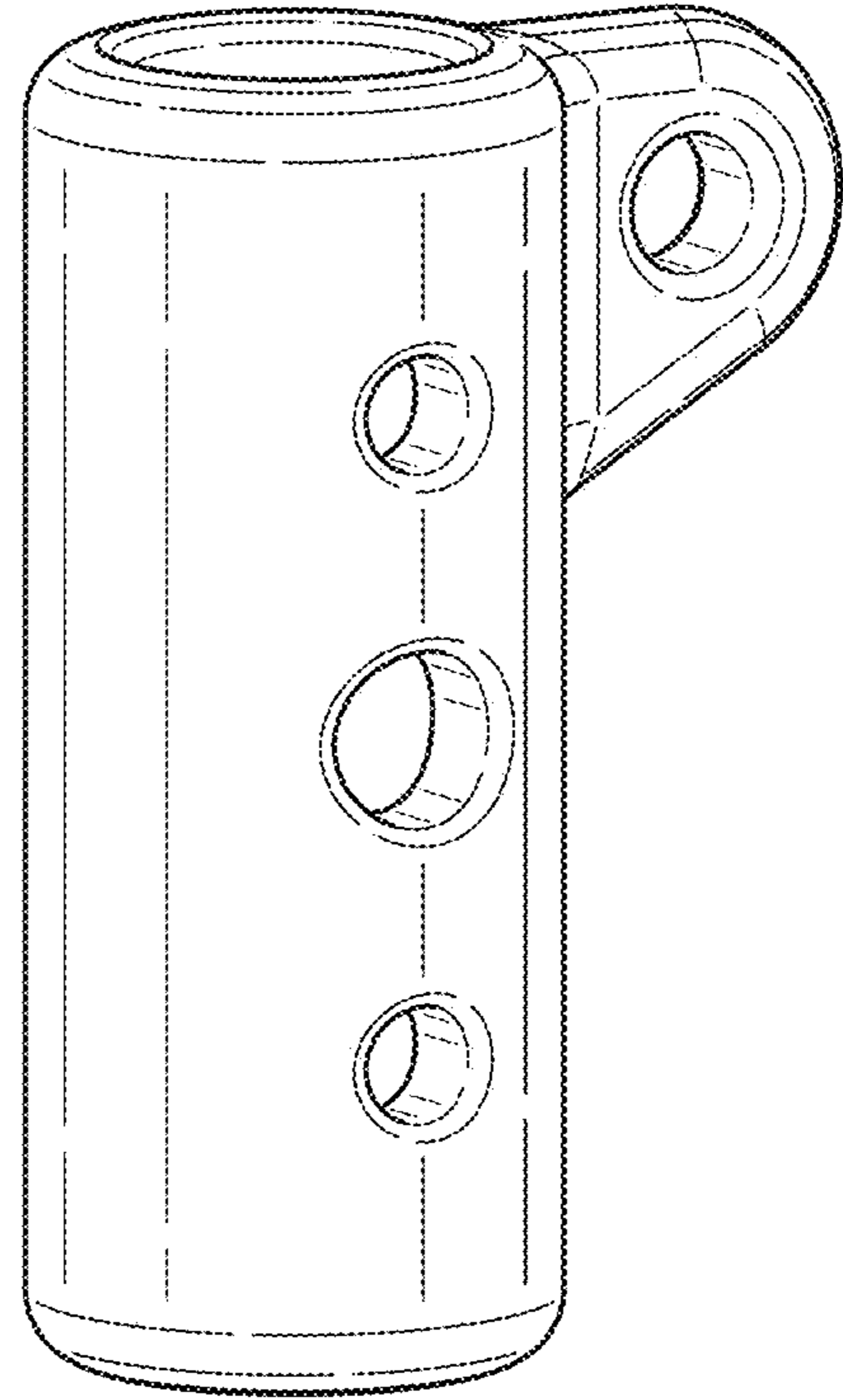


FIG. 2

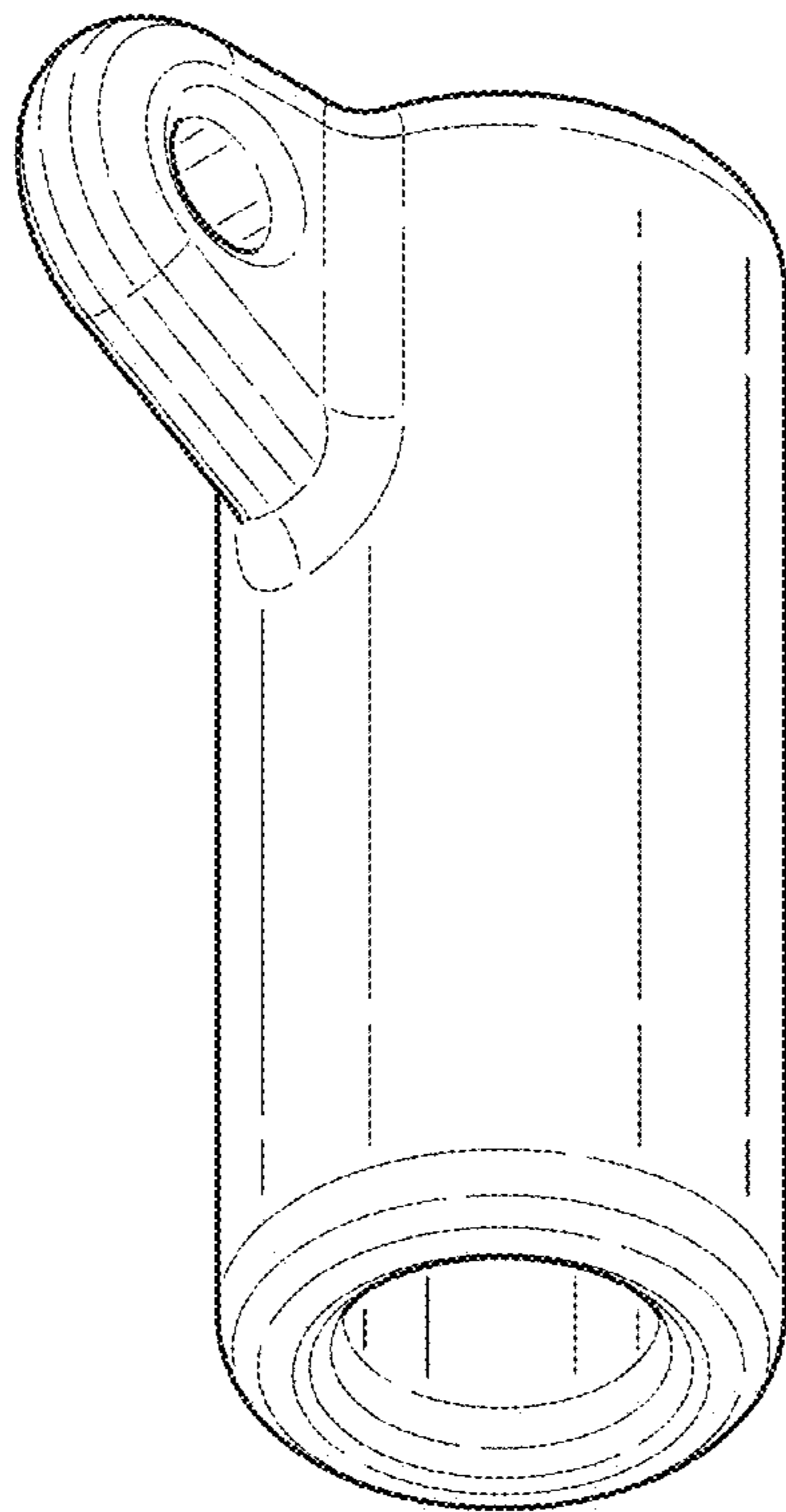


FIG. 3

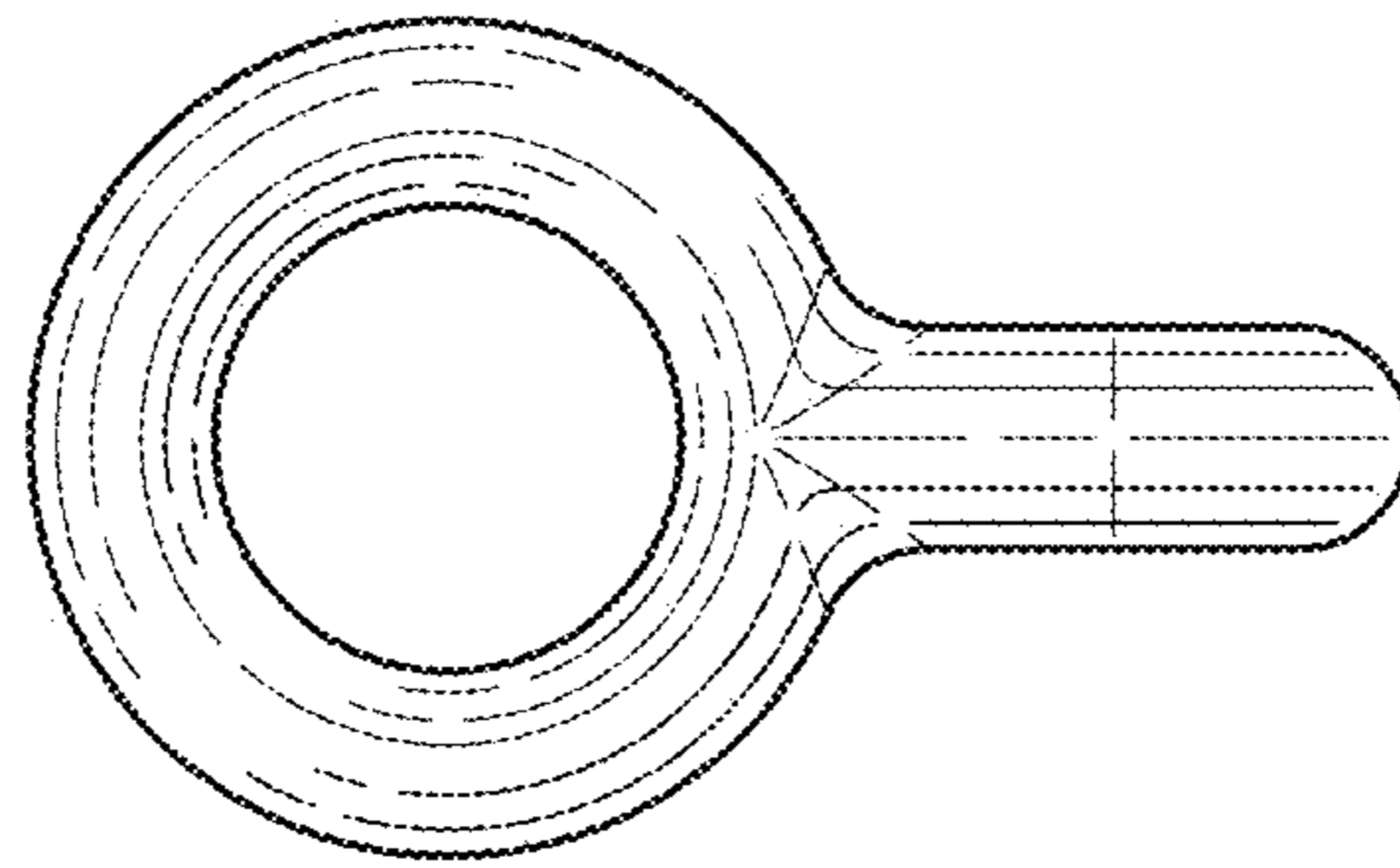


FIG. 7

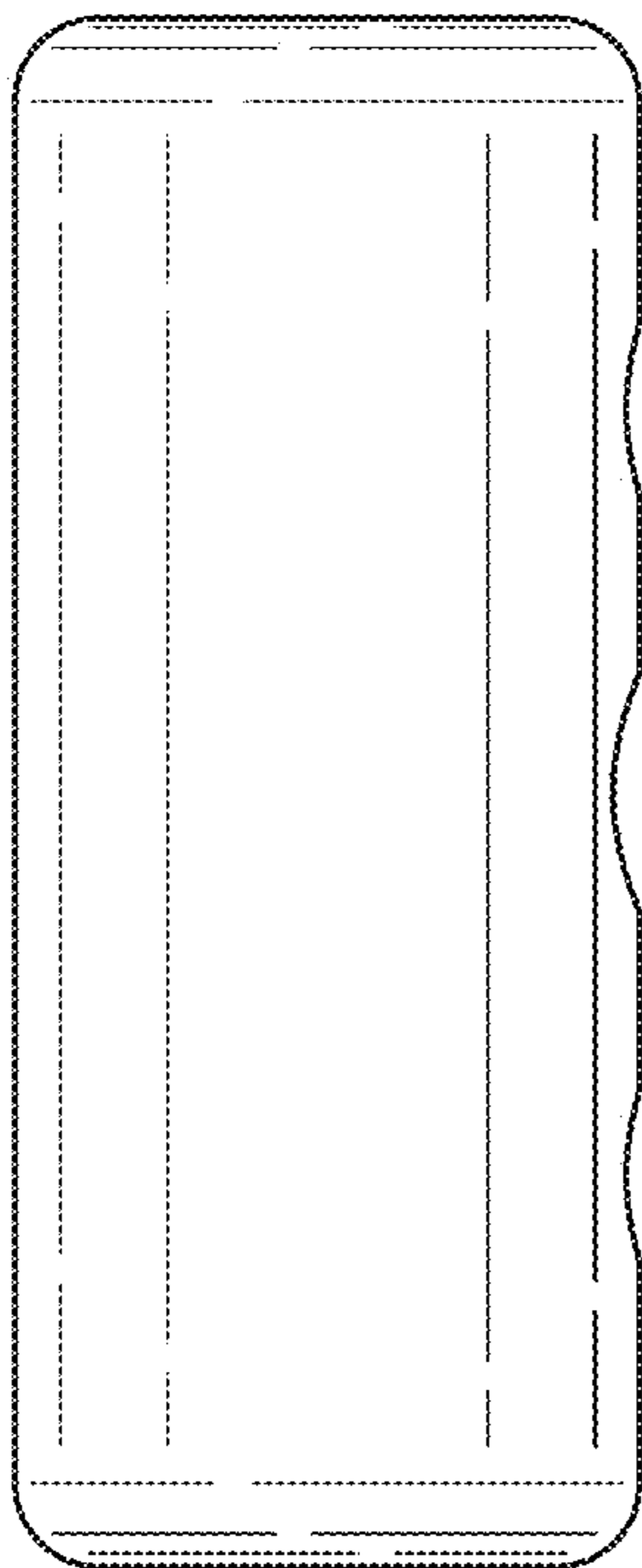


FIG. 5

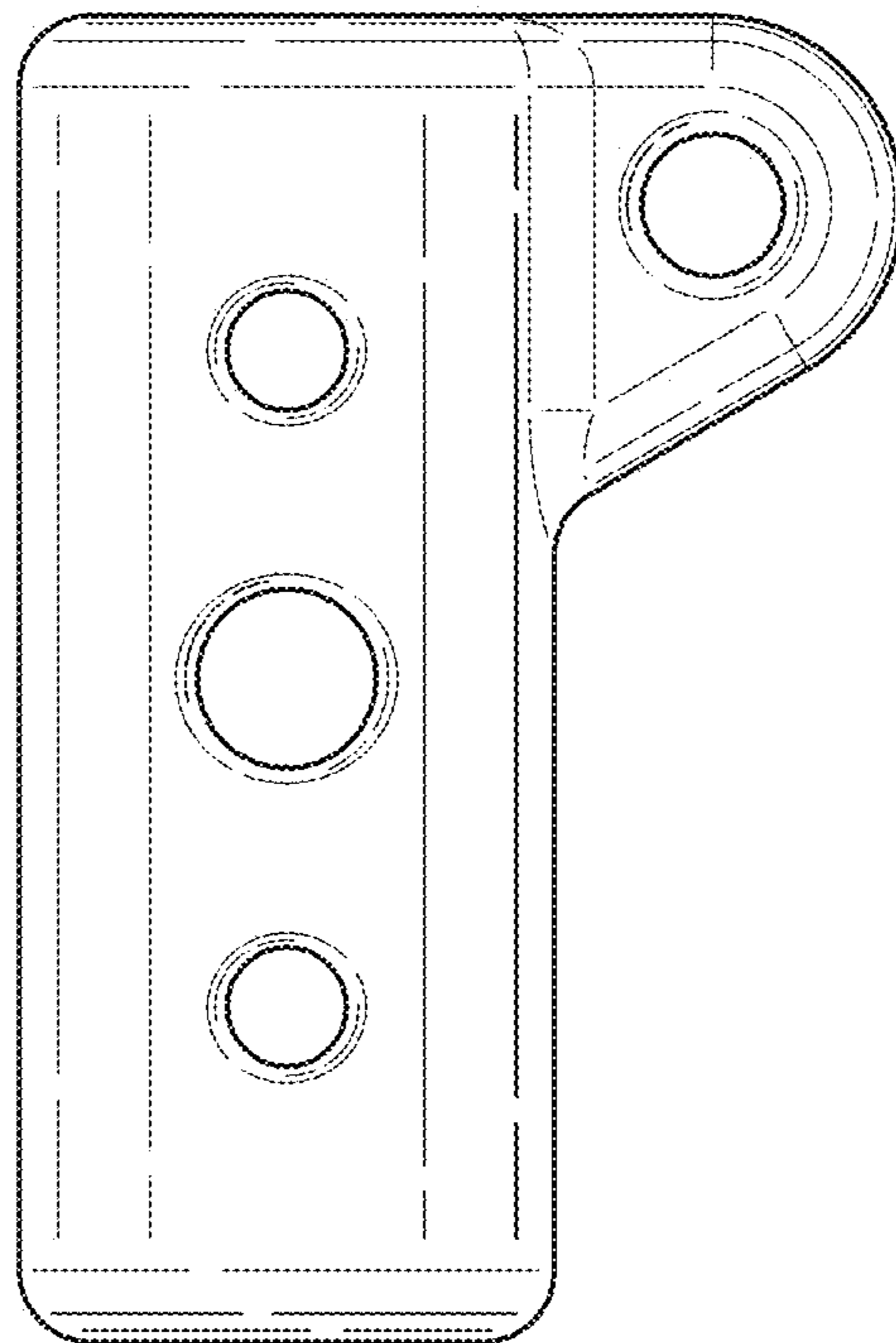


FIG. 4

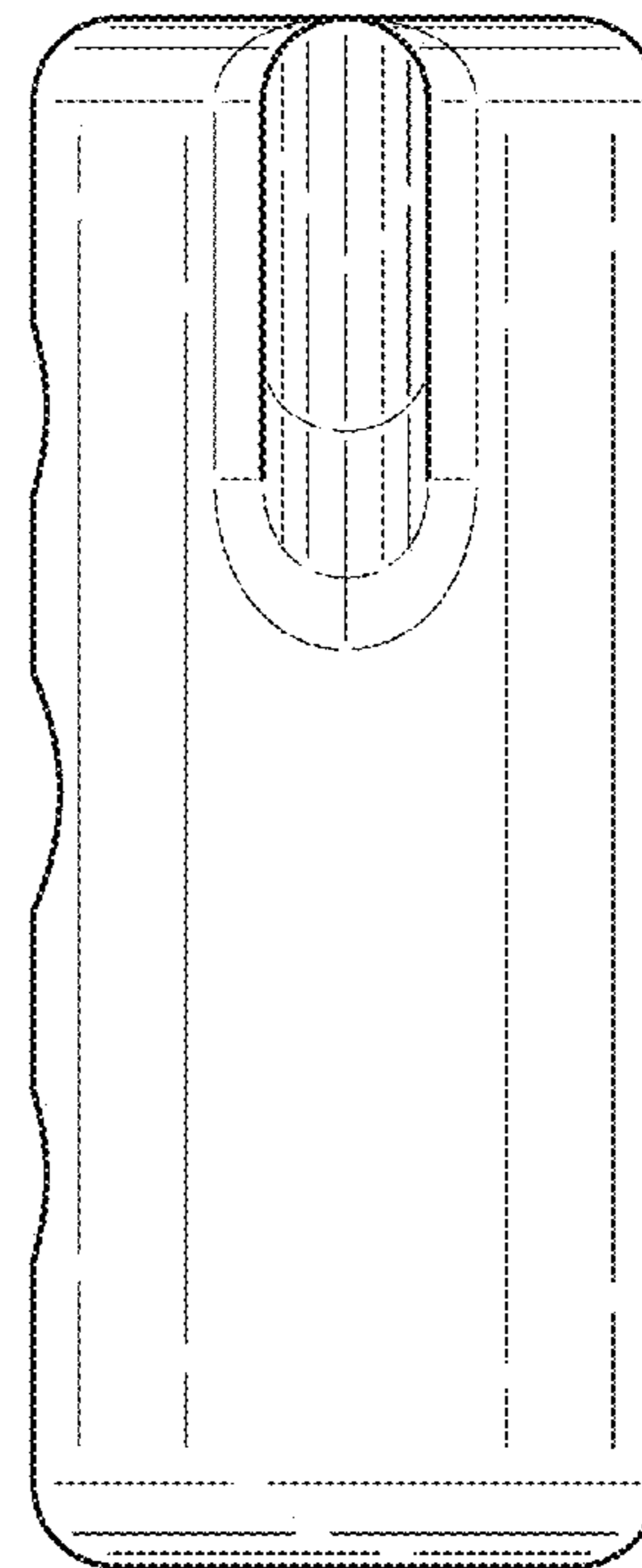


FIG. 6

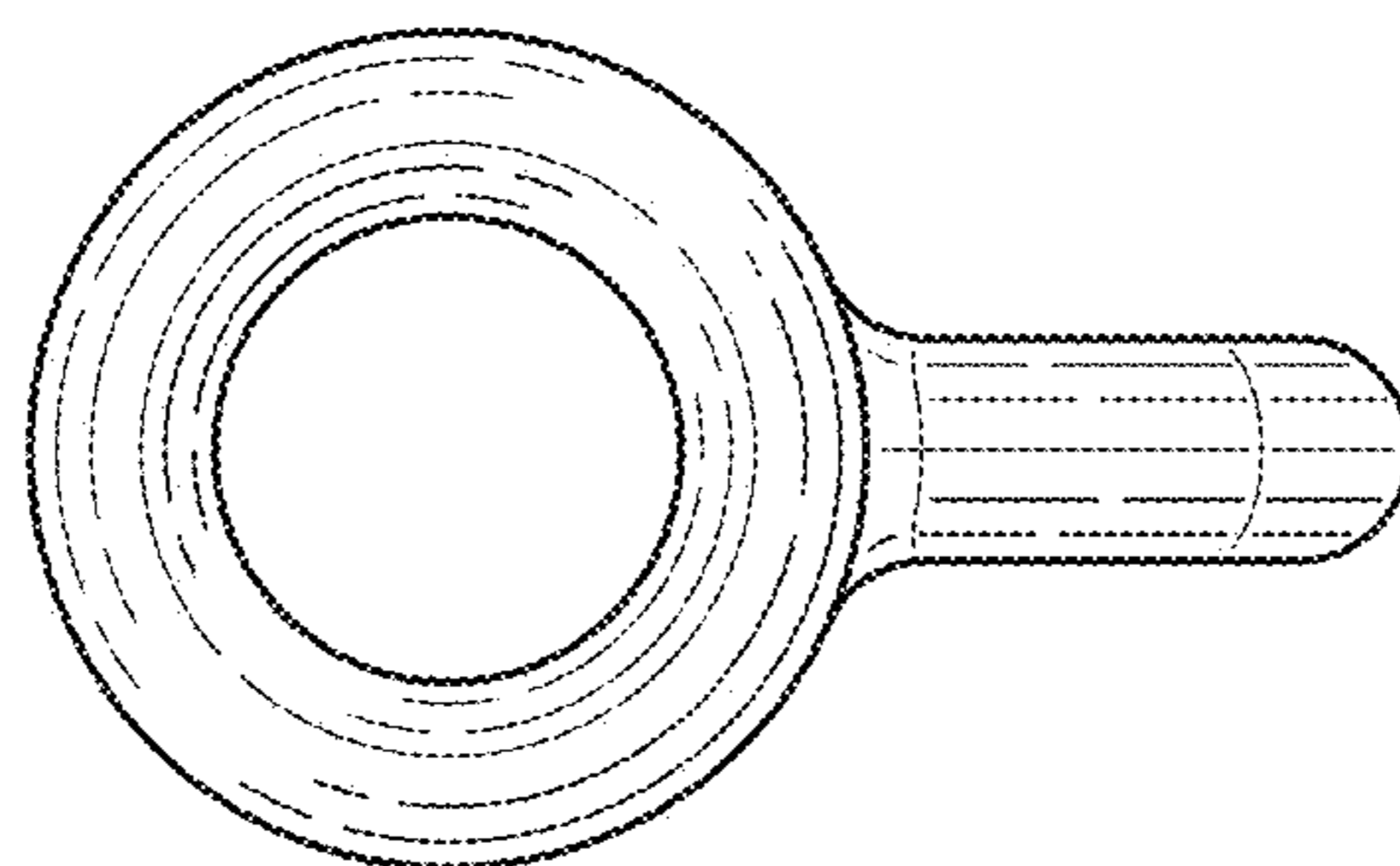


FIG. 8